

[54] DRAWING IMPLEMENT STORAGE DEVICE

[75] Inventor: Sheldon Lieberman, Allentown, Pa.

[73] Assignee: Binney & Smith, Easton, Pa.

[**] Term: 14 Years

[21] Appl. No.: 426,223

[22] Filed: Sep. 28, 1982

[52] U.S. Cl. D19/77; D3/25; D7/2; D19/85

[58] Field of Search D19/75-85; 206/214; D3/24, 25; 248/70.6; D6/128, 146, 158, 188; 211/69, 69.1; D9/453; D7/2

[56] References Cited

U.S. PATENT DOCUMENTS

- D. 65,542 9/1924 Shellman .
- D. 131,958 4/1942 Davis .
- D. 230,230 2/1974 Crowe D6/148
- D. 244,323 5/1977 Stone D3/25
- D. 250,633 12/1978 Bouthillier D9/453
- D. 264,054 4/1982 Kieber D9/453
- 1,135,625 4/1915 Savin .

- 1,357,063 10/1920 Korb .
- 3,489,289 1/1970 Scott-Fenton 211/78
- 3,822,790 7/1974 Armour et al. 211/60 T
- 4,239,121 12/1980 Hodes 209/703
- 4,305,511 12/1981 Denholtz 211/70

OTHER PUBLICATIONS

C.C.M. Arts & Crafts Inc. Cat. ©1971, p. 110, Item No. 22354.

Primary Examiner—George P. Word
Attorney, Agent, or Firm—Bert J. Lewen; Henry Sternberg

[57] CLAIM

The ornamental design for a drawing implement storage device, substantially as shown and described.

DESCRIPTION

FIG. 1 is a perspective view of a drawing implement storage device embodying my new design; FIG. 2 is a front elevational view thereof; FIG. 3 is a top plan view thereof; and FIG. 4 is a fragmentary sectional view thereof, to an enlarged scale, taken along line 4—4 of FIG. 1.

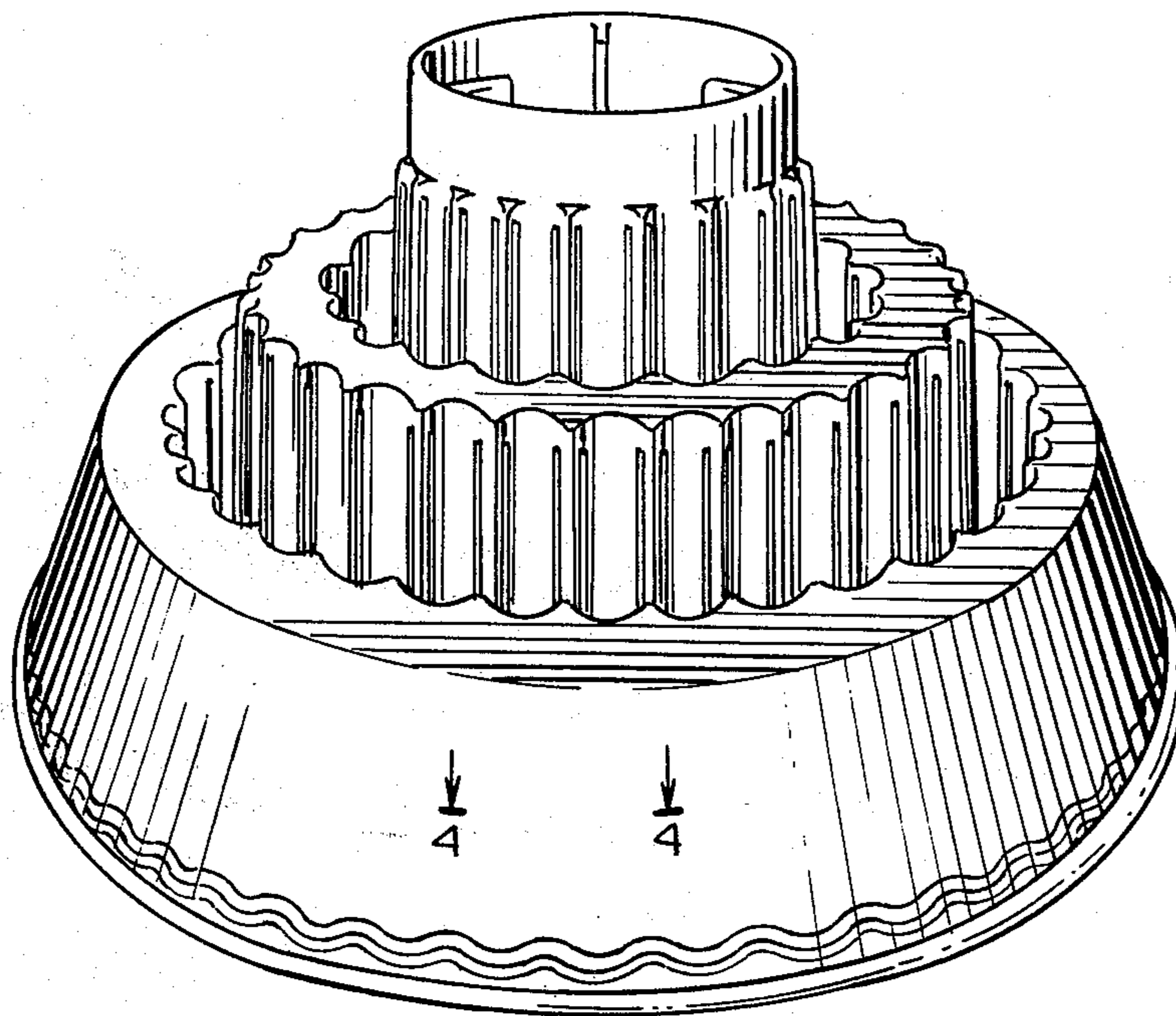


Fig. 1.

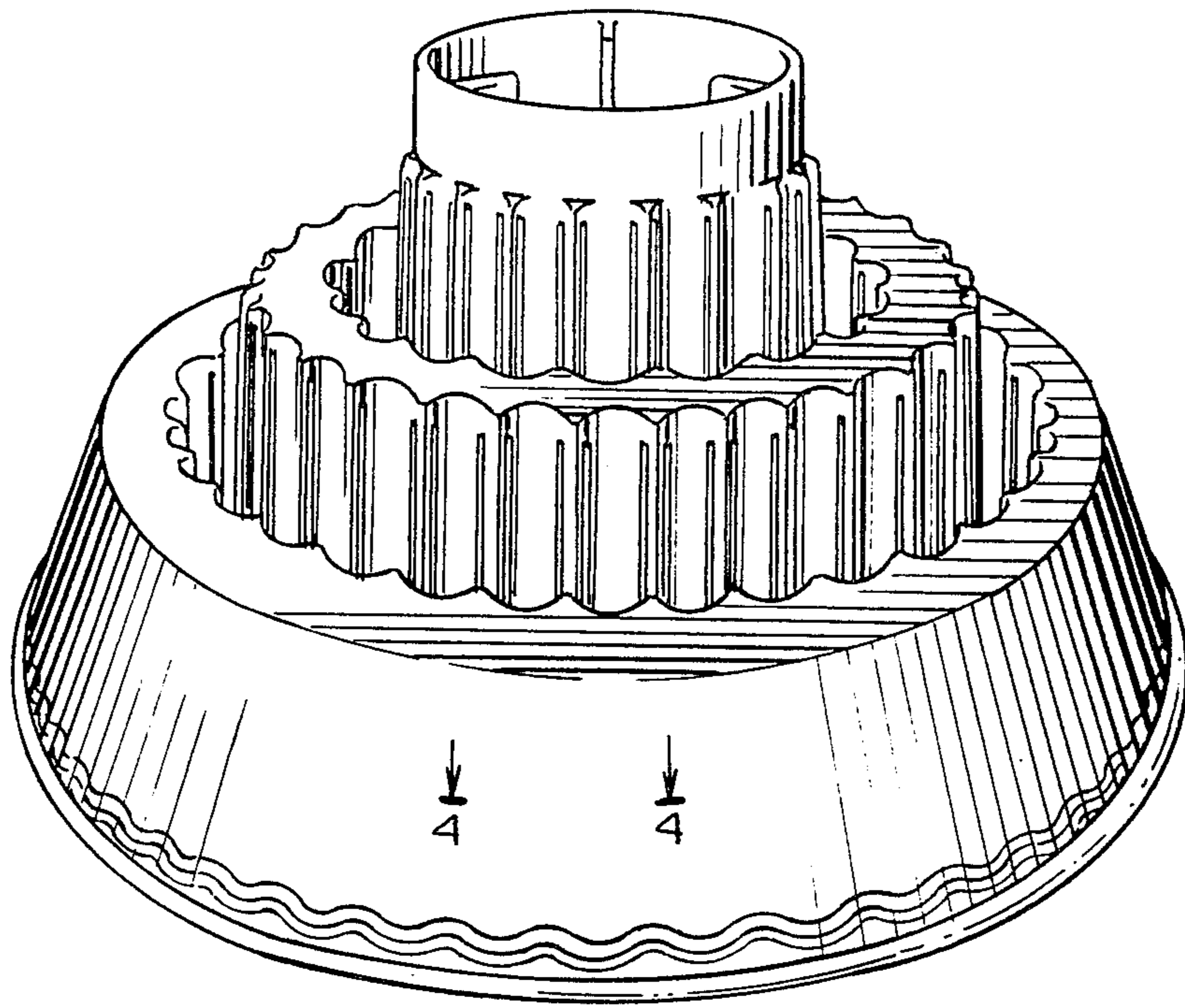


Fig. 4.

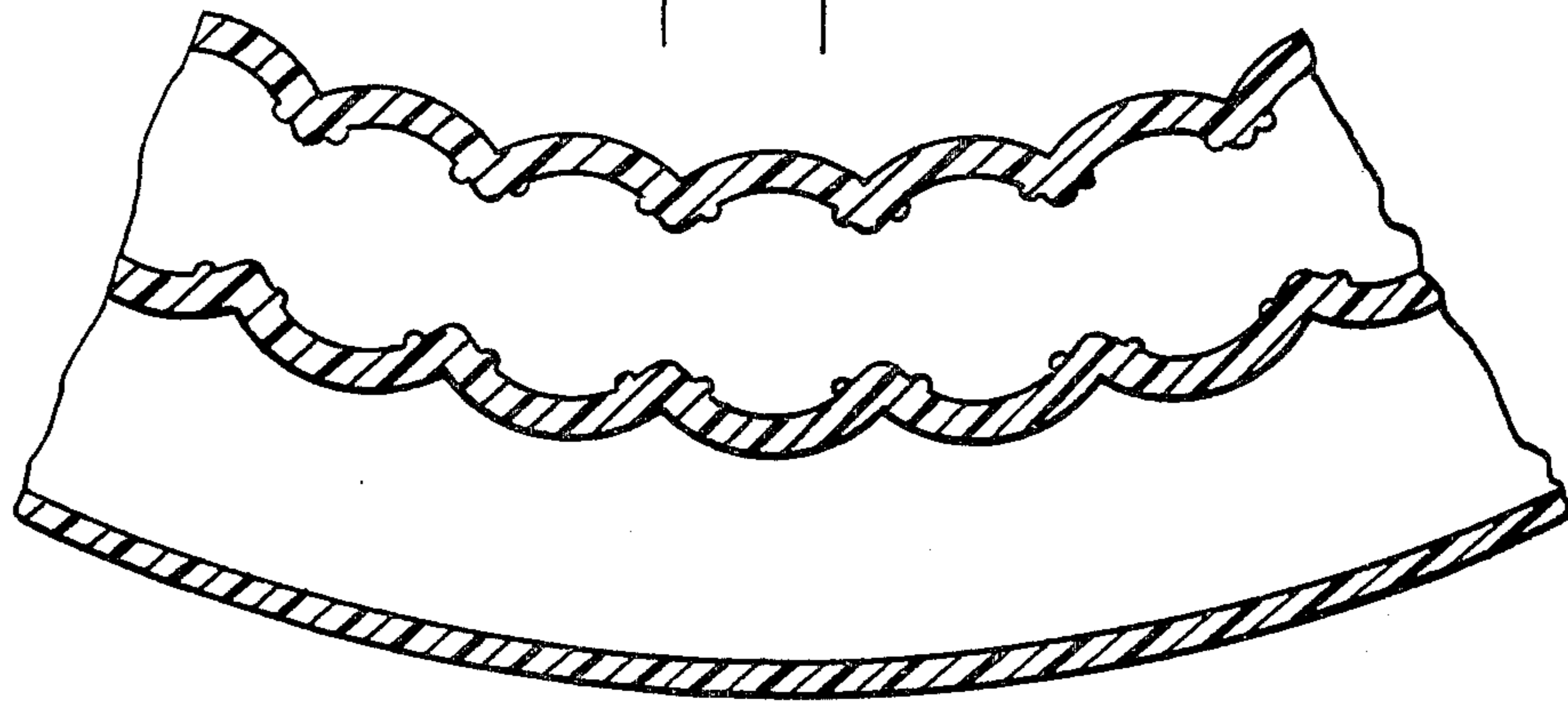


Fig. 2.

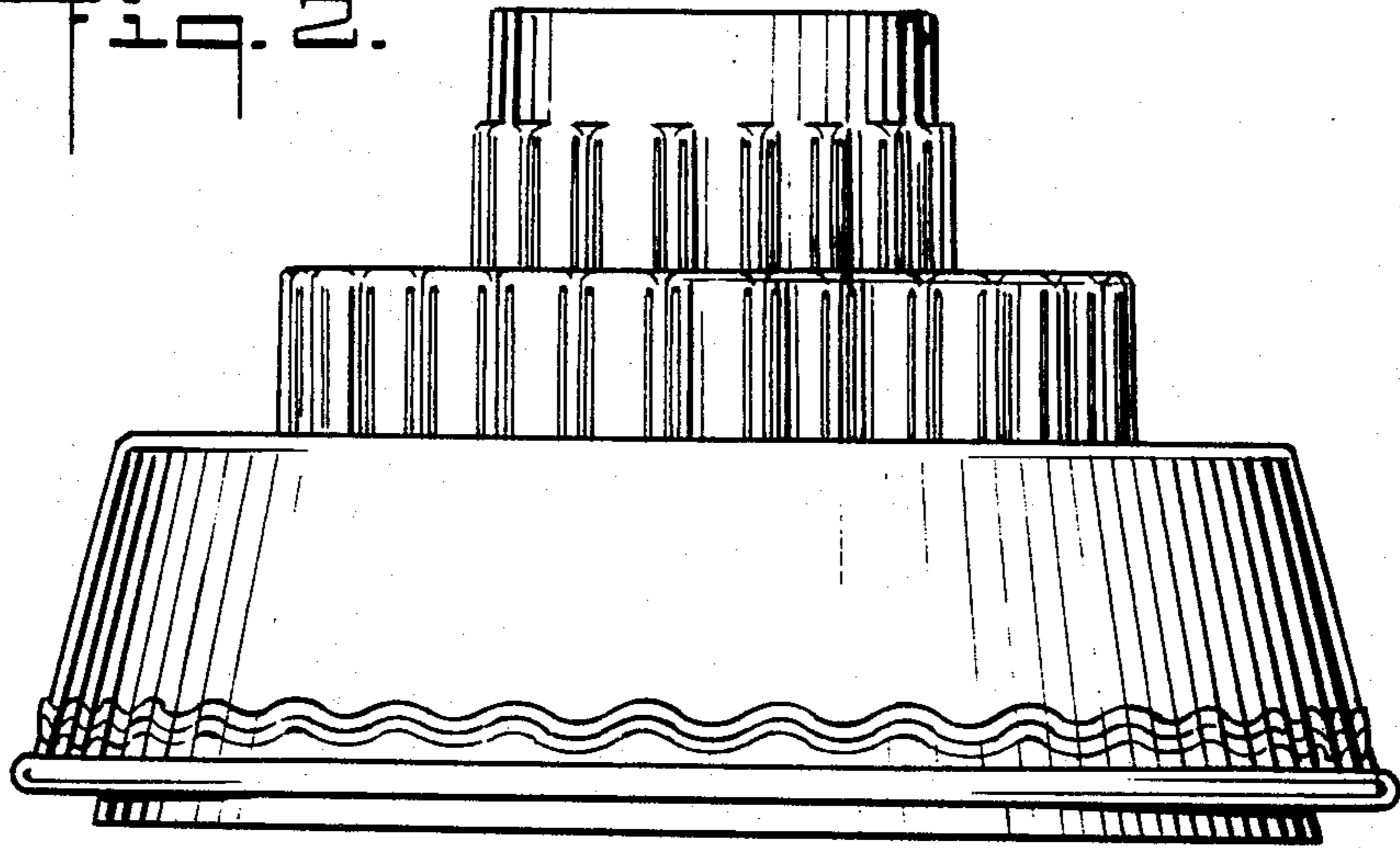


Fig. 3.

