

[54] DRAWER INSERT FOR A DESK STORAGE TRAY SYSTEM

D. 264,538 5/1982 Pomroy D7/38
3,467,247 9/1969 Weiss 206/563

[75] Inventor: Mel Evenson, San Pedro, Calif.

[73] Assignee: Eldon Industries, Inc., Inglewood, Calif.

[**] Term: 14 Years

[21] Appl. No.: 443,184

[22] Filed: Nov 22, 1982

[52] U.S. Cl. D19/75; D3/35;
D3/74; D9/341; D9/347; D34/46

[58] Field of Search D3/33, 35, 34, 75;
D9/341, 347; D7/38; D19/75, 77-85, 92, 97;
206/387, 561-564

[56] References Cited

U.S. PATENT DOCUMENTS

- D. 122,589 9/1940 Bastress D9/347
- D. 226,146 1/1973 Price D3/35
- D. 235,811 7/1975 Parsons D9/347
- D. 256,809 9/1980 Evenson D19/75

OTHER PUBLICATIONS

Miles Kimball Cat. ©1978, p. 43, Item; top right.

Primary Examiner—George P. Word
Attorney, Agent, or Firm—Edward D. O'Brian; K. H. Boswell

[57] CLAIM

The ornamental design for a drawer insert for a desk storage tray system, substantially as shown and described.

DESCRIPTION

FIG. 1 is a top plan view of a drawer insert for a desk storage tray system, showing my new design;
FIG. 2 is a bottom plan view thereof;
FIG. 3 is an elevational view of the right side thereof;
FIG. 4 is an elevational view of the left side thereof;
FIG. 5 is a front elevational view thereof;
FIG. 6 is a rear elevational view thereof; and
FIG. 7 is an enlarged scale top perspective view thereof.

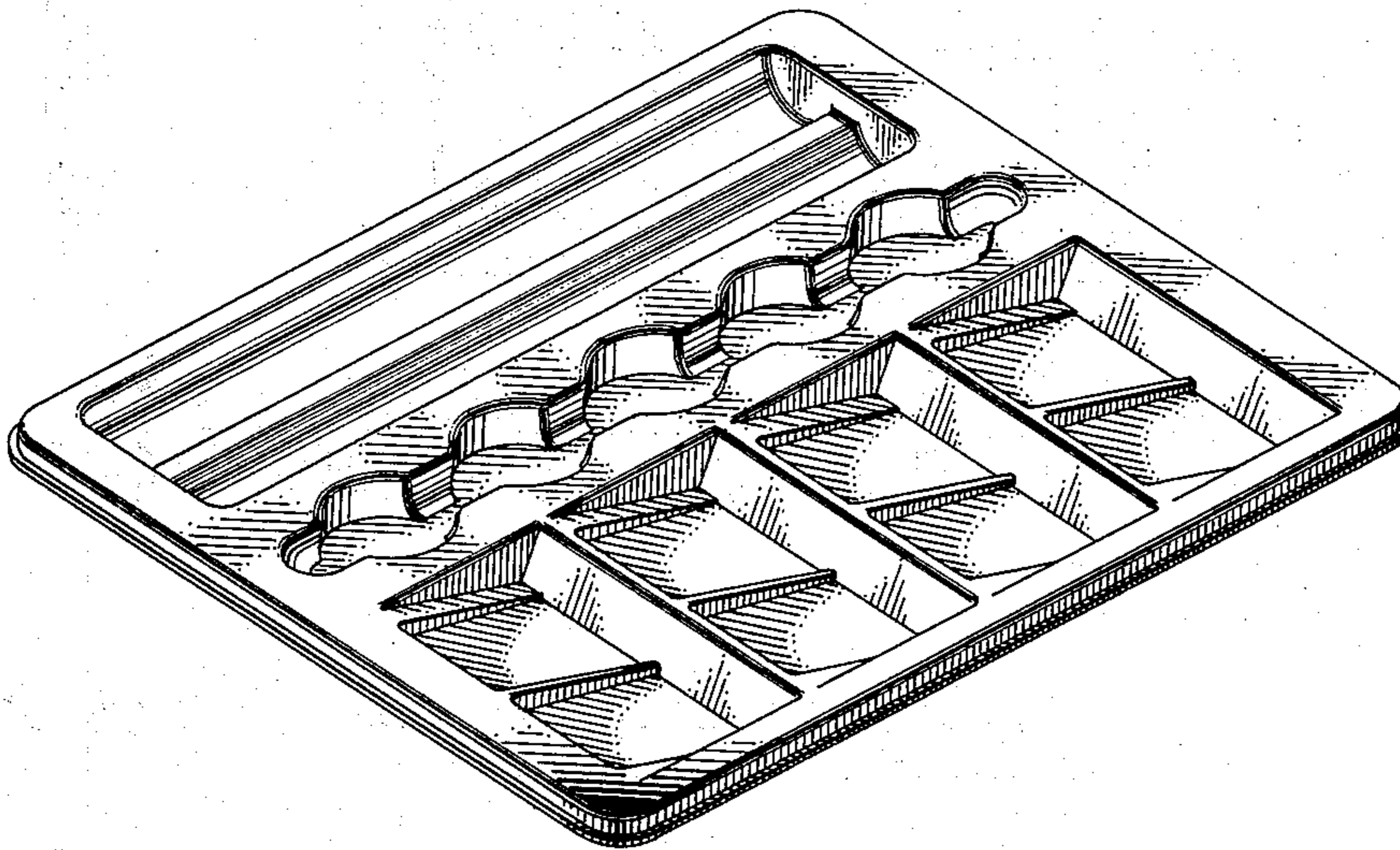


FIG. 1.

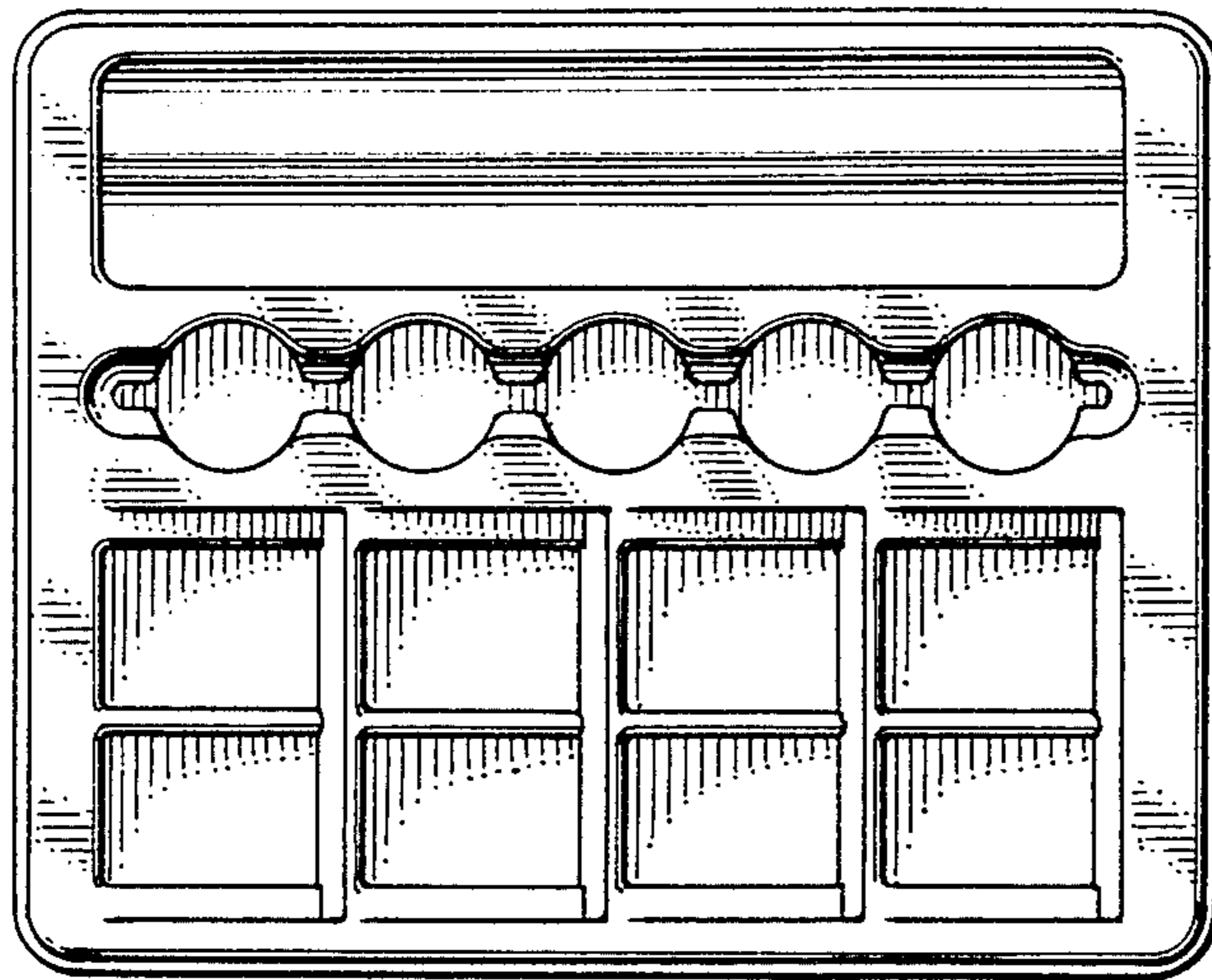


FIG. 3.



FIG. 2.

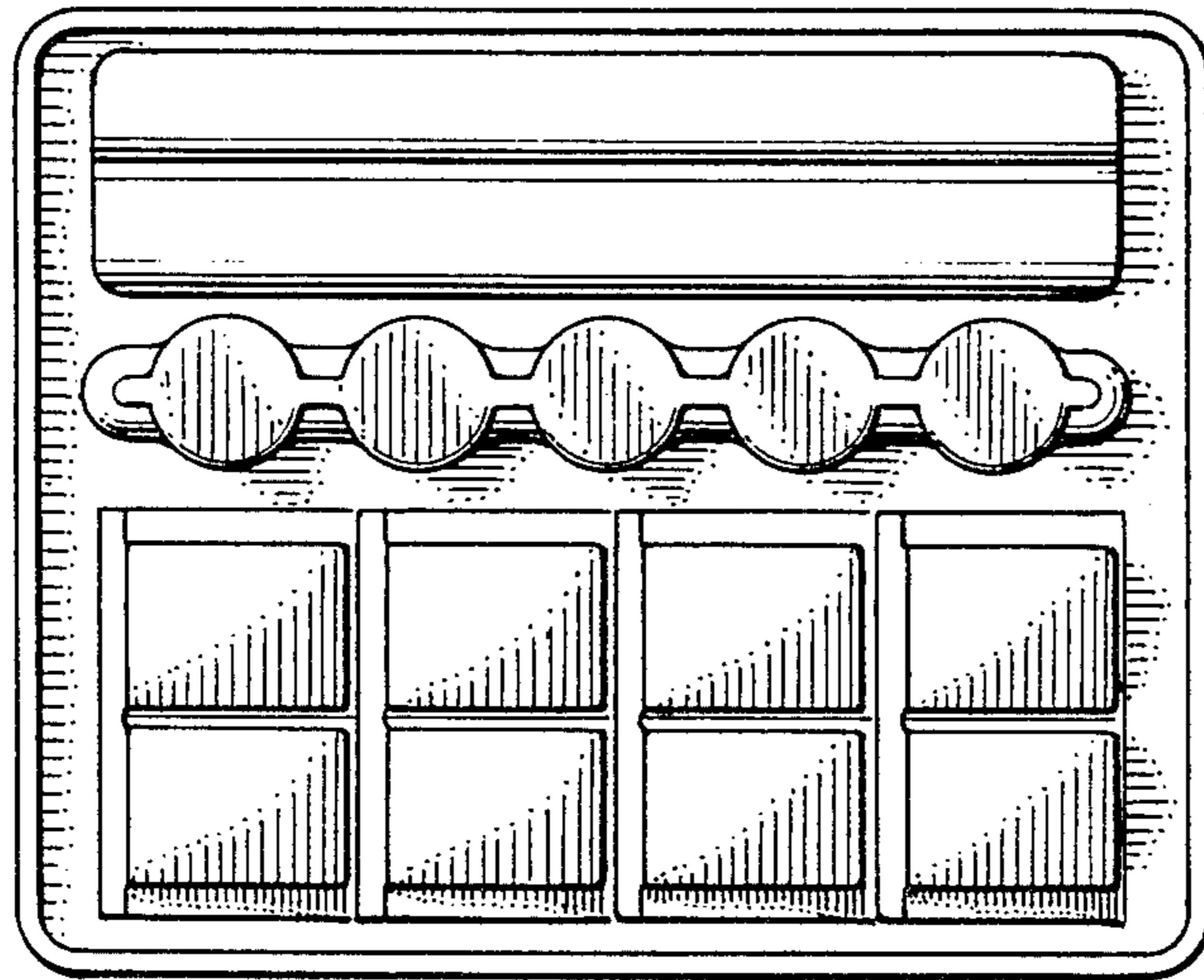


FIG. 4.



FIG. 5.

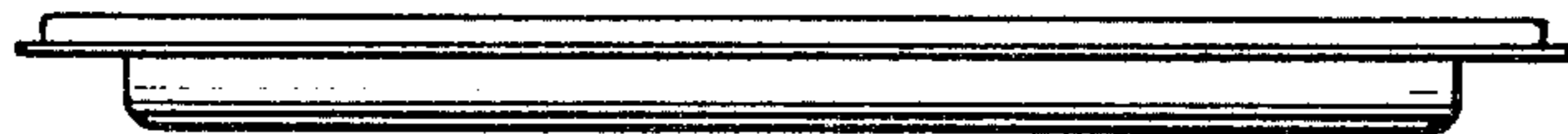


FIG. 6.

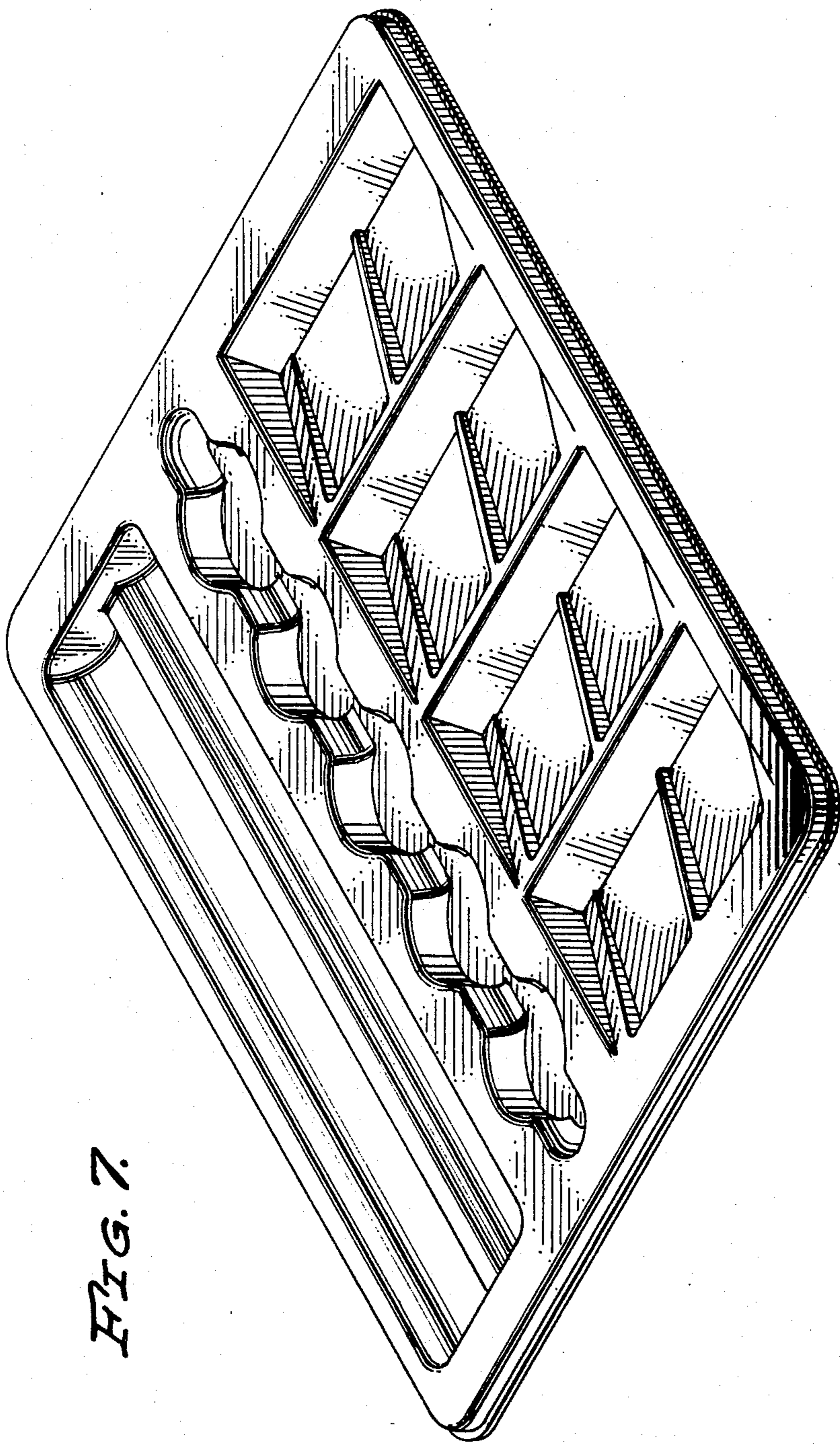


FIG. 7.