

[54] CASH REGISTER OR SIMILAR ARTICLE

D. 259,264 5/1981 Schuldt D18/4
D. 261,003 9/1981 Jinbo et al. D18/4

[75] Inventors: Susumu Hori; Shinichi Kaneko, both of Kawasaki; Hiroaki Suzuki, Yokohama, all of Japan

[73] Assignee: The General Corporation, Kawasaki, Japan

[**] Term: 14 Years

[21] Appl. No.: 384,265

[22] Filed: Jun. 2, 1982

[30] Foreign Application Priority Data

Dec. 2, 1981 [JP] Japan 56-53476
[52] U.S. Cl. D18/4
[58] Field of Search D18/3, 4; D14/100, 102, D14/105, 106; 235/2, 7 R, 7 A, 145 R, 145 A

[56] References Cited

U.S. PATENT DOCUMENTS

D. 241,267 8/1976 King D18/4

OTHER PUBLICATIONS

Office Products, May 1979, p. 88, top of page.
European Jeweler, 9/81, p. 15.

Primary Examiner—Winifred E. Herrmann
Assistant Examiner—Theodore M. Shooman
Attorney, Agent, or Firm—Robert E. Burns; Emmanuel J. Lobato; Bruce L. Adams

[57] CLAIM

The ornamental design for a cash register or similar article, substantially as shown and described.

DESCRIPTION

FIG. 1 is a front top perspective view of a cash register or similar article showing our new design; FIG. 2 is a front elevational view thereof; FIG. 3 is a left side elevational view thereof; FIG. 4 is a right side elevational view thereof; FIG. 5 is a top plan view thereof; and FIG. 6 is a rear elevational view thereof.

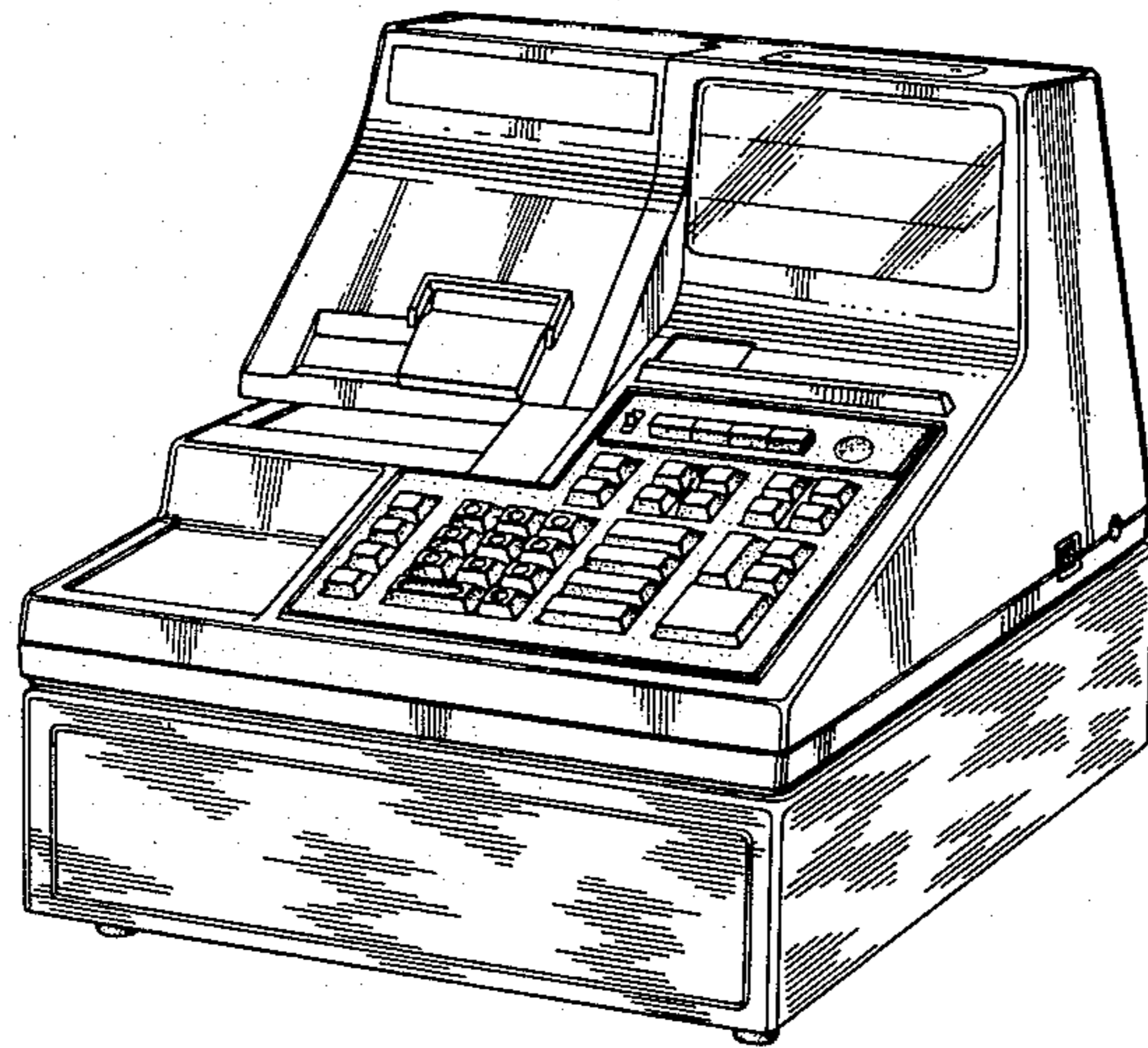


FIG. 1

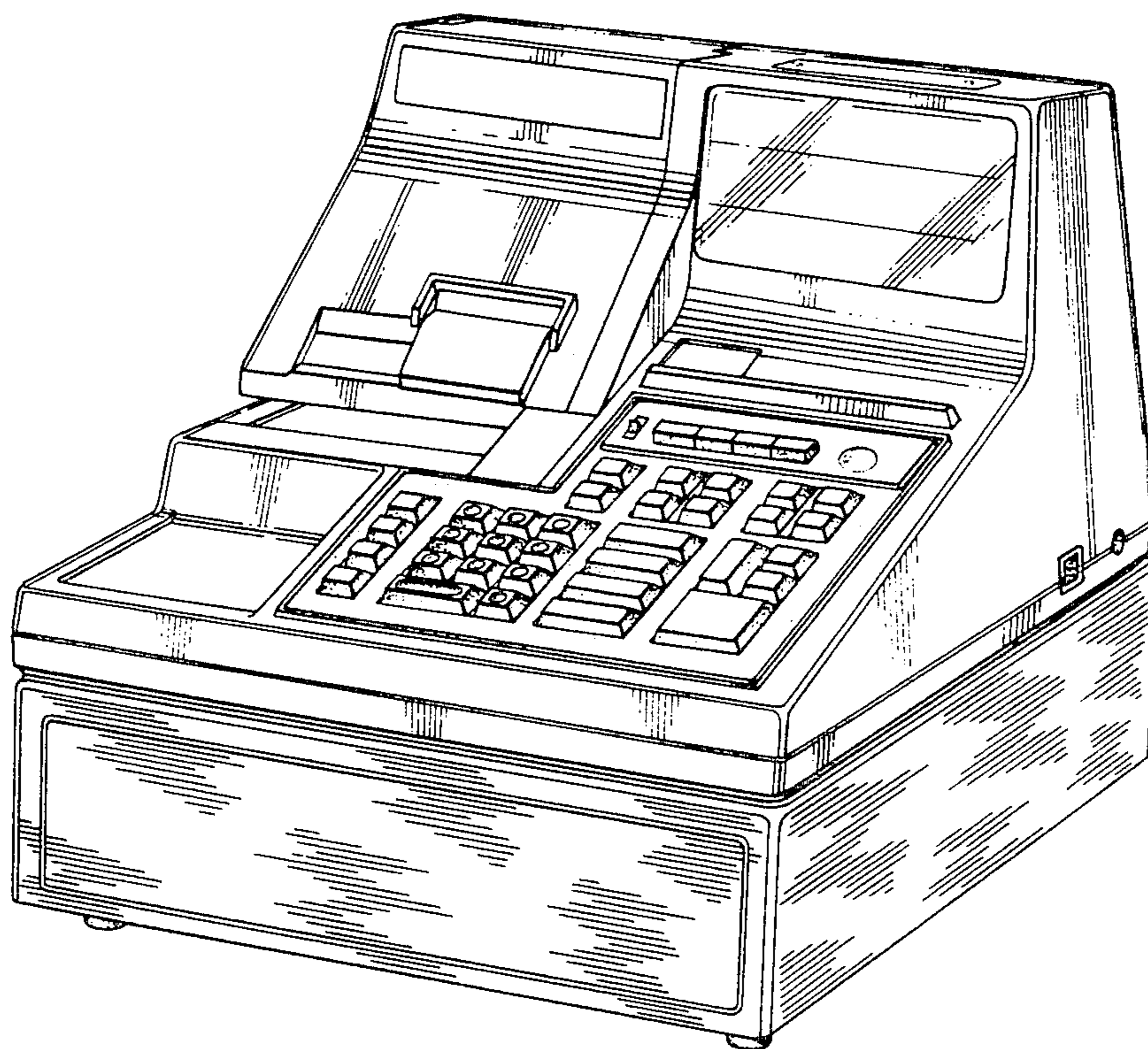


FIG. 2

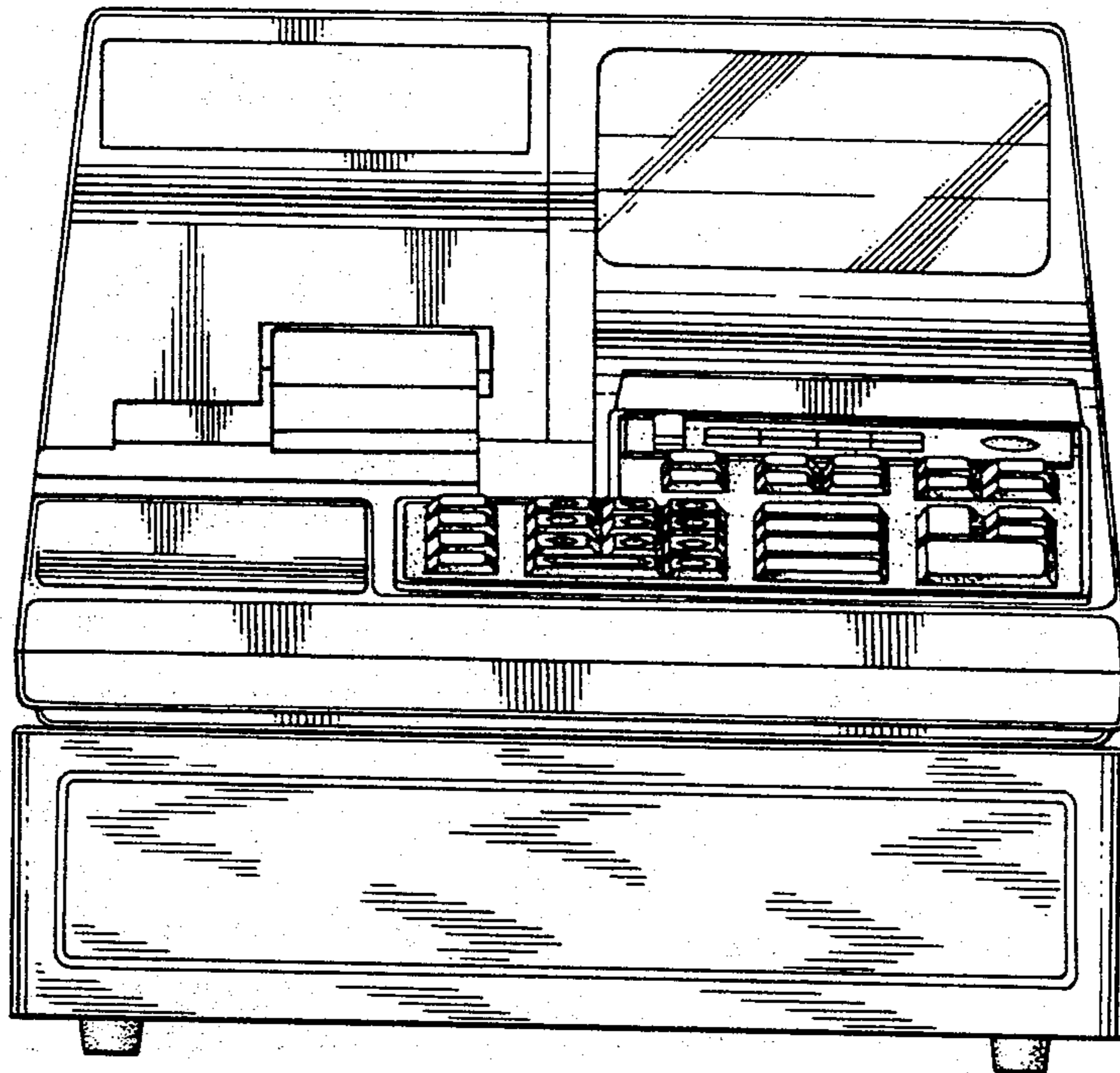


FIG. 6

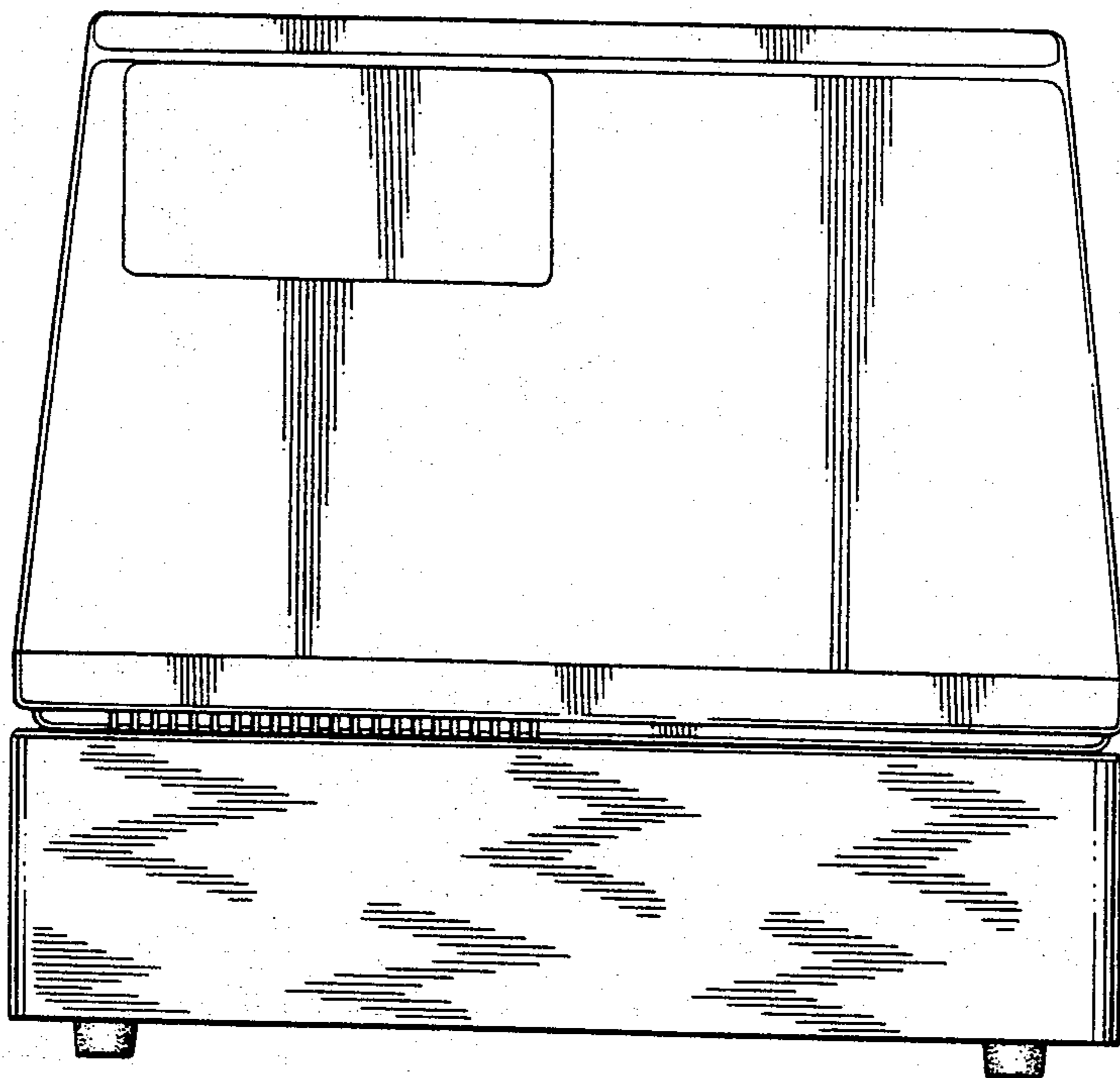


FIG. 3

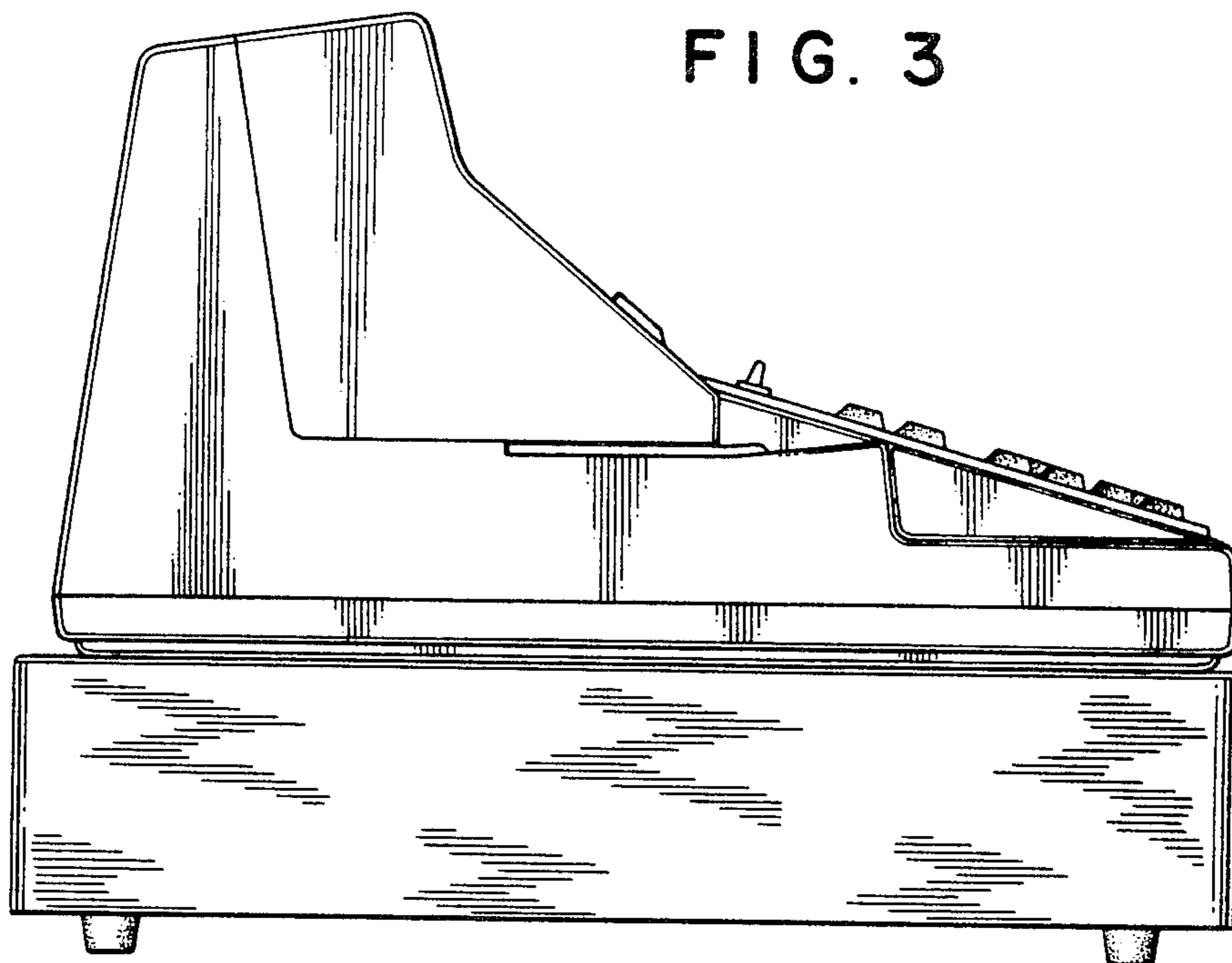


FIG. 4

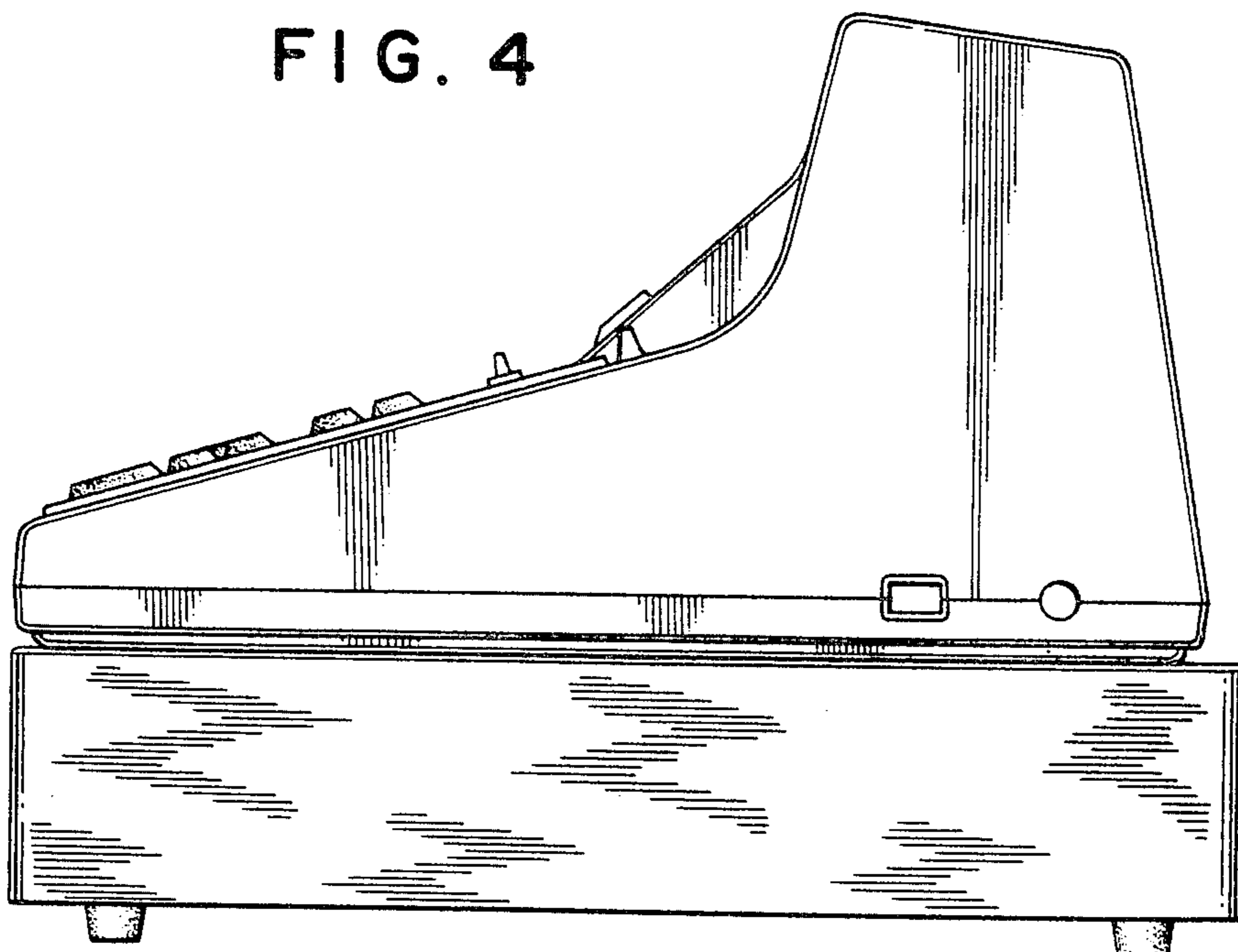


FIG. 5

