

[54] **CALCULATOR RULER OR SIMILAR ARTICLE**

[75] **Inventor: Chee-Chun Leung, Taipei, Taiwan**

[73] **Assignee: Cal-Comp Electronics, Inc., Taipei, Taiwan**

[**] **Term: 14 Years**

[21] **Appl. No.: 499,516**

[22] **Filed: May 31, 1983**

[30] **Foreign Application Priority Data**

Jan. 19, 1983 [TW] Taiwan 7230311
[52] **U.S. Cl.** **D18/2; D10/2; D10/71; D18/7**
[58] **Field of Search** **D18/2, 7, 8, 11, 12; D10/2, 46.1, 71; 364/706-710; 200/5 A, 159 B**

[56] **References Cited**

U.S. PATENT DOCUMENTS

D. 245,109 7/1977 Yoshioka D18/7
D. 248,995 8/1978 Hazama et al. D18/7
D. 271,025 10/1983 Li D18/2

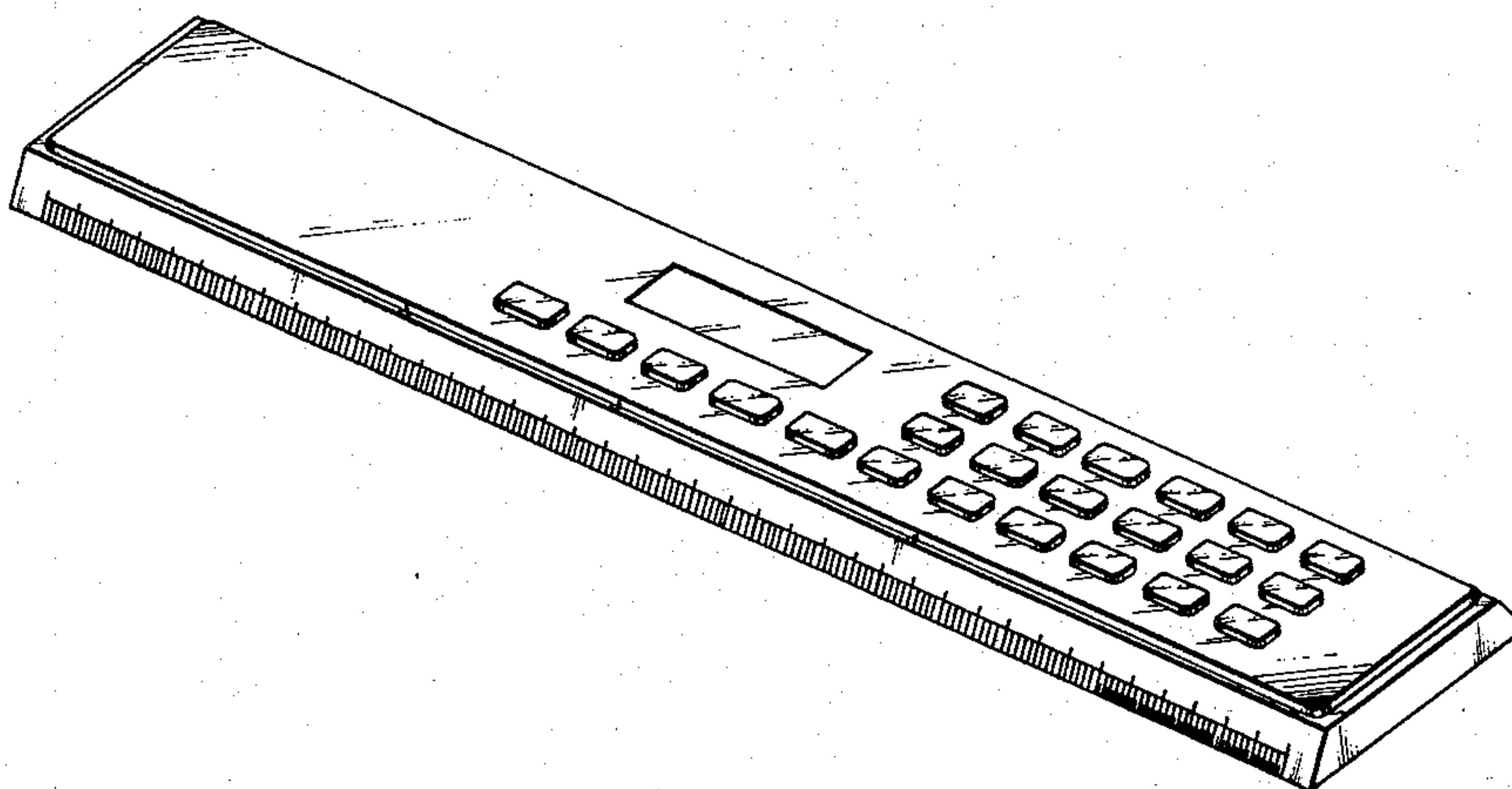
Primary Examiner—Louis S. Zarfes
Attorney, Agent, or Firm—Cushman, Darby and Cushman

[57] **CLAIM**

The ornamental design for a calculator ruler or similar article, as shown.

DESCRIPTION

FIG. 1 is a perspective view of a calculator ruler showing my new design;
FIG. 2 is a front elevational view thereof;
FIG. 3 is a rear elevational view thereof;
FIG. 4 is a right side elevational view thereof;
FIG. 5 is a left side elevational view thereof;
FIG. 6 is a top plan view thereof; and
FIG. 7 is a bottom plan view thereof.



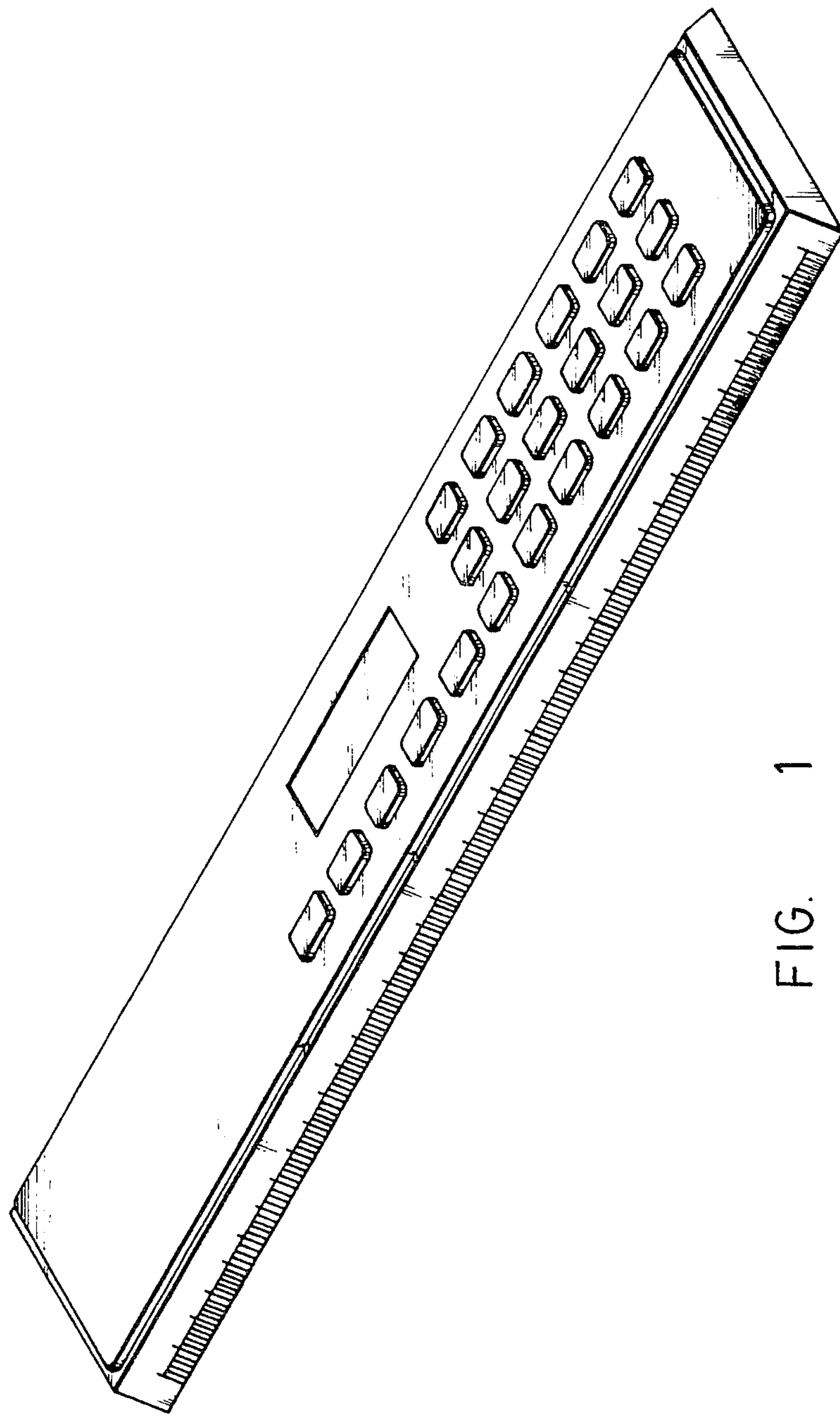


FIG. 1

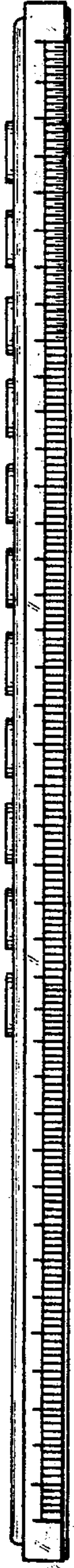


FIG. 2



FIG. 3



FIG. 5



FIG. 4

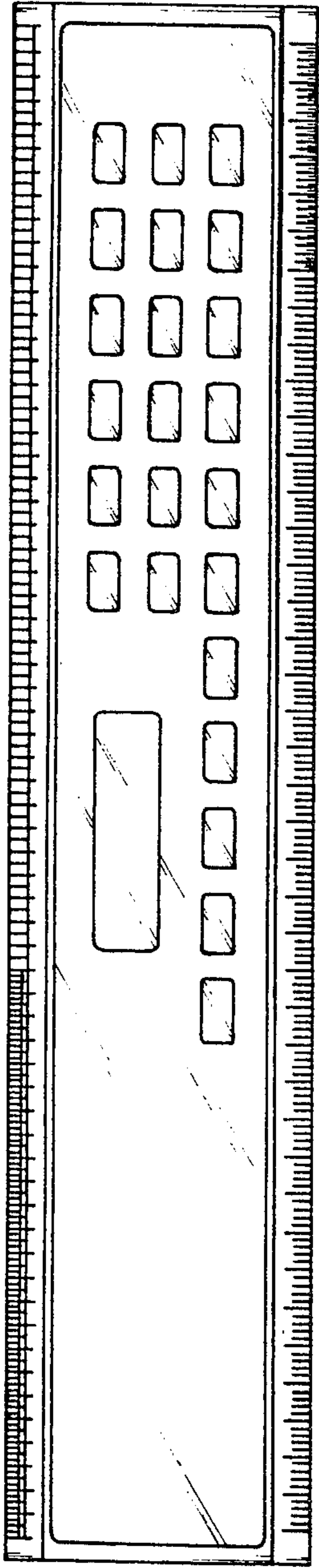


FIG. 6

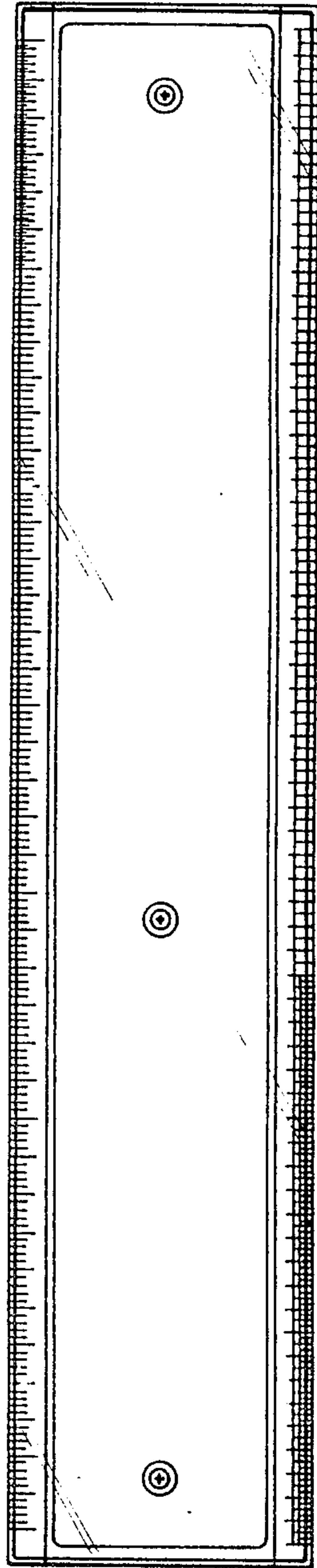


FIG. 7