

United States Patent [19]

Larsson

[11] Patent Number: **Des. 279,378**

[45] Date of Patent: **** Jun. 25, 1985**

[54] **BALANCE ARM FOR SUPPORTING WORKING TOOLS**

[75] Inventor: **Bertil Larsson, Ödsmål, Sweden**

[73] Assignee: **Stalvall & Larsson Forsaljnings AB., Odsmal, Sweden**

[**] Term: **14 Years**

[21] Appl. No.: **447,310**

[22] Filed: **Dec. 6, 1982**

[30] **Foreign Application Priority Data**

Jun. 9, 1982 [SE] Sweden 82-1511
 [52] U.S. Cl. **D15/138**
 [58] Field of Search D15/138; 254/10 B;
 269/71; 414/719, 735, 917; 74/85.15, 103, 105;
 901/48

[56] **References Cited**

U.S. PATENT DOCUMENTS

3,323,787 6/1967 Schetzer 269/71

3,995,756 12/1976 Hjelm 901/48
 4,029,308 6/1977 Gathers 269/71
 4,378,959 4/1983 Susnjara 414/735

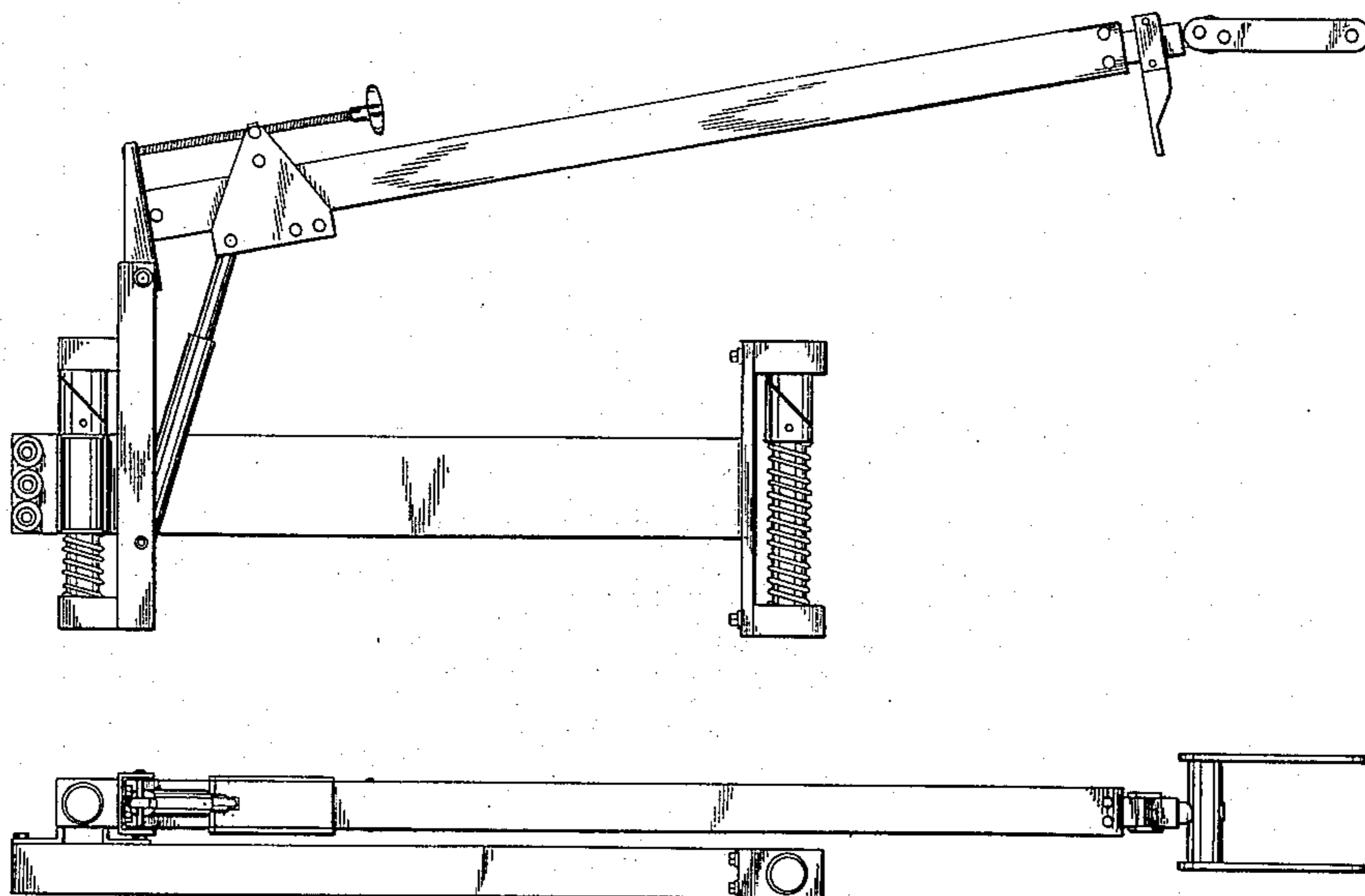
Primary Examiner—A. Hugo Word
Assistant Examiner—Suzanne N. Gitlin
Attorney, Agent, or Firm—Holman & Stern

[57] **CLAIM**

The ornamental design for a balance arm for supporting working tools, as shown and described.

DESCRIPTION

FIG. 1 is a side elevational view of a balance arm for supporting working tools showing my new design;
 FIG. 2 is a bottom plan view thereof;
 FIG. 3 is a side elevational view opposite that shown in FIG. 1;
 FIG. 4 is a top plan view thereof;
 FIG. 5 is a side end elevational view taken from the left of FIG. 1;
 FIG. 6 is a side end elevational view taken from the right of FIG. 1.



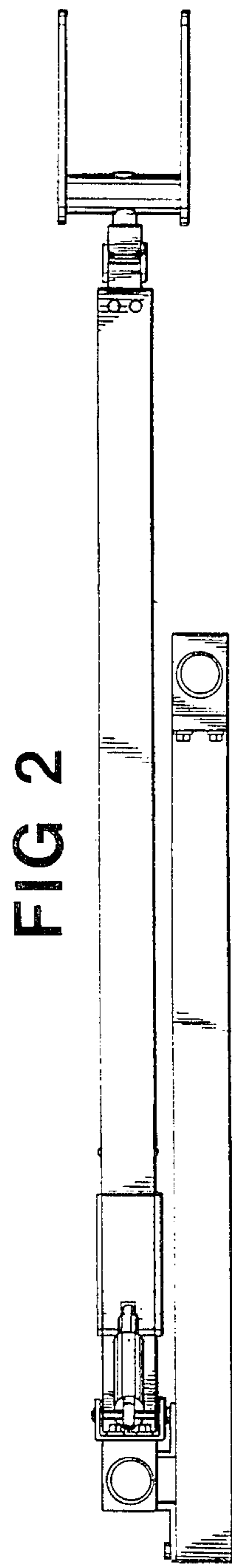
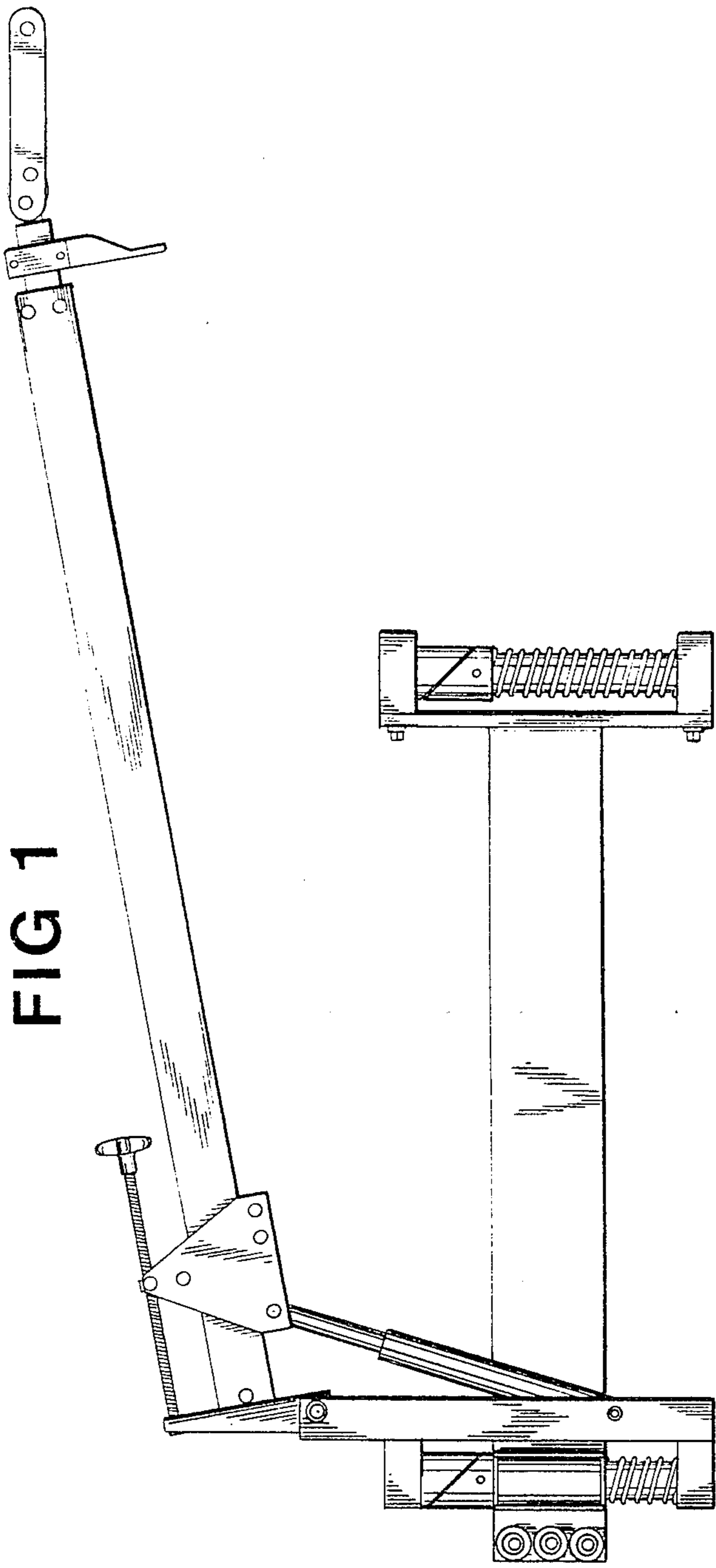


FIG 4

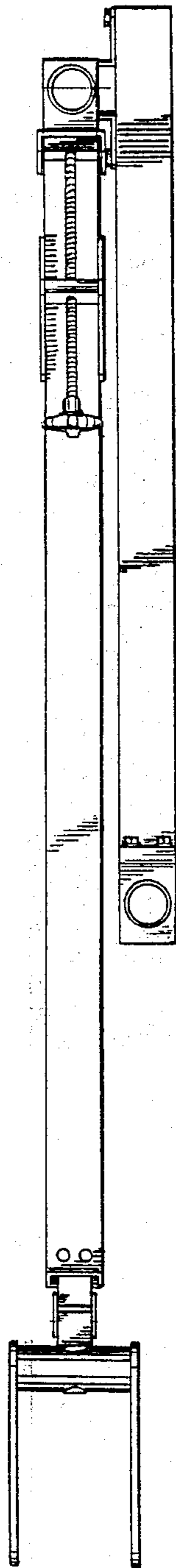


FIG 3

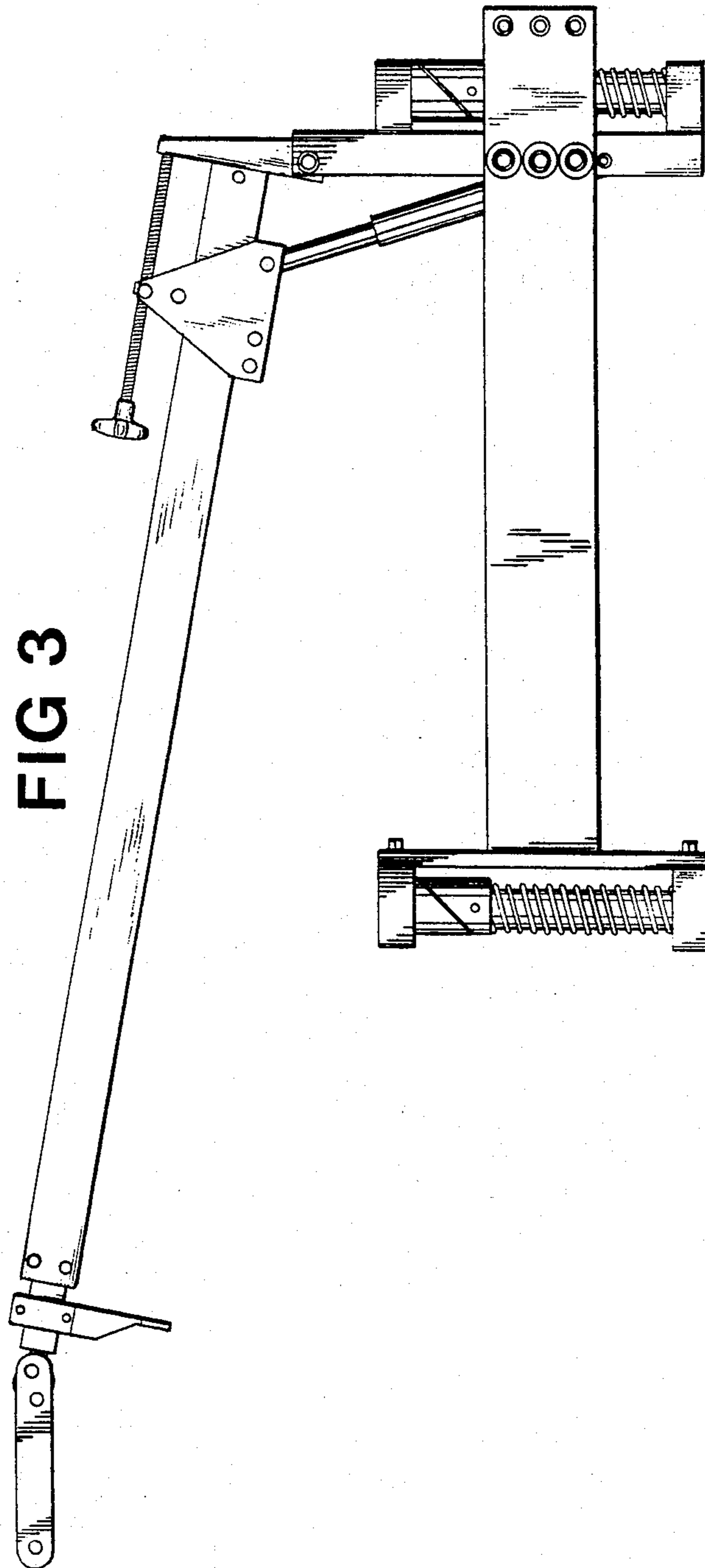


FIG 5

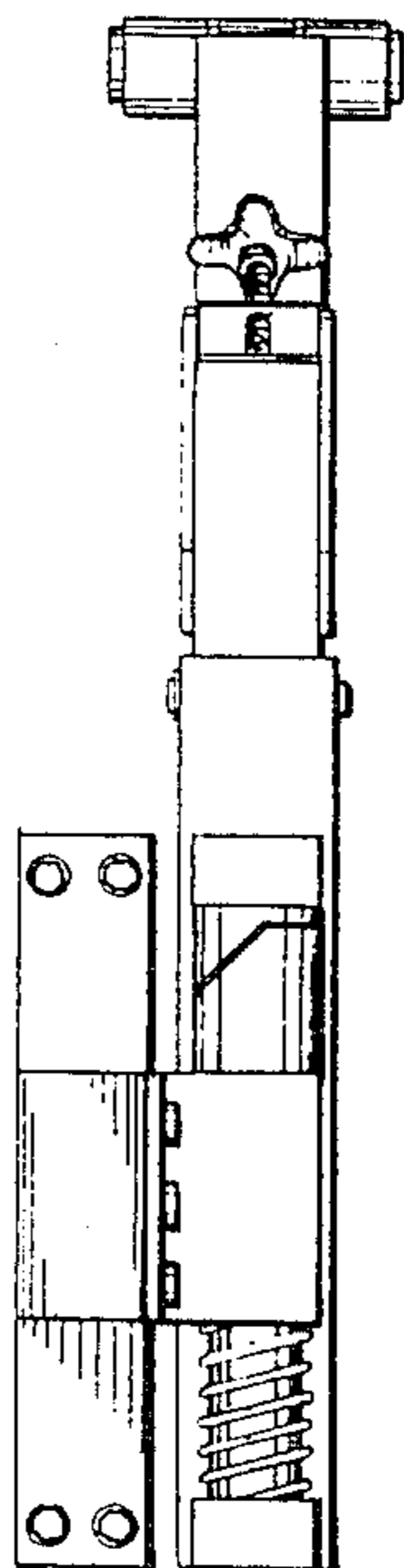


FIG 6

