

[54] **DUPLEX MUD PUMP**

[75] Inventor: **Walter Kuchar, Edmonton, Canada**

[73] Assignee: **Tri-Service Machine Ltd., Edmonton, Canada**

[**] Term: **14 Years**

[21] Appl. No.: **378,193**

[22] Filed: **May 14, 1982**

[52] U.S. Cl. **D15/7**

[58] Field of Search **D15/7, 9; 417/364, 539, 417/900, 234**

[56] **References Cited**

U.S. PATENT DOCUMENTS

2,331,513	10/1943	Stahl	417/234
2,778,315	1/1957	Crookston et al.	417/539
3,364,871	1/1968	Wilson	417/539

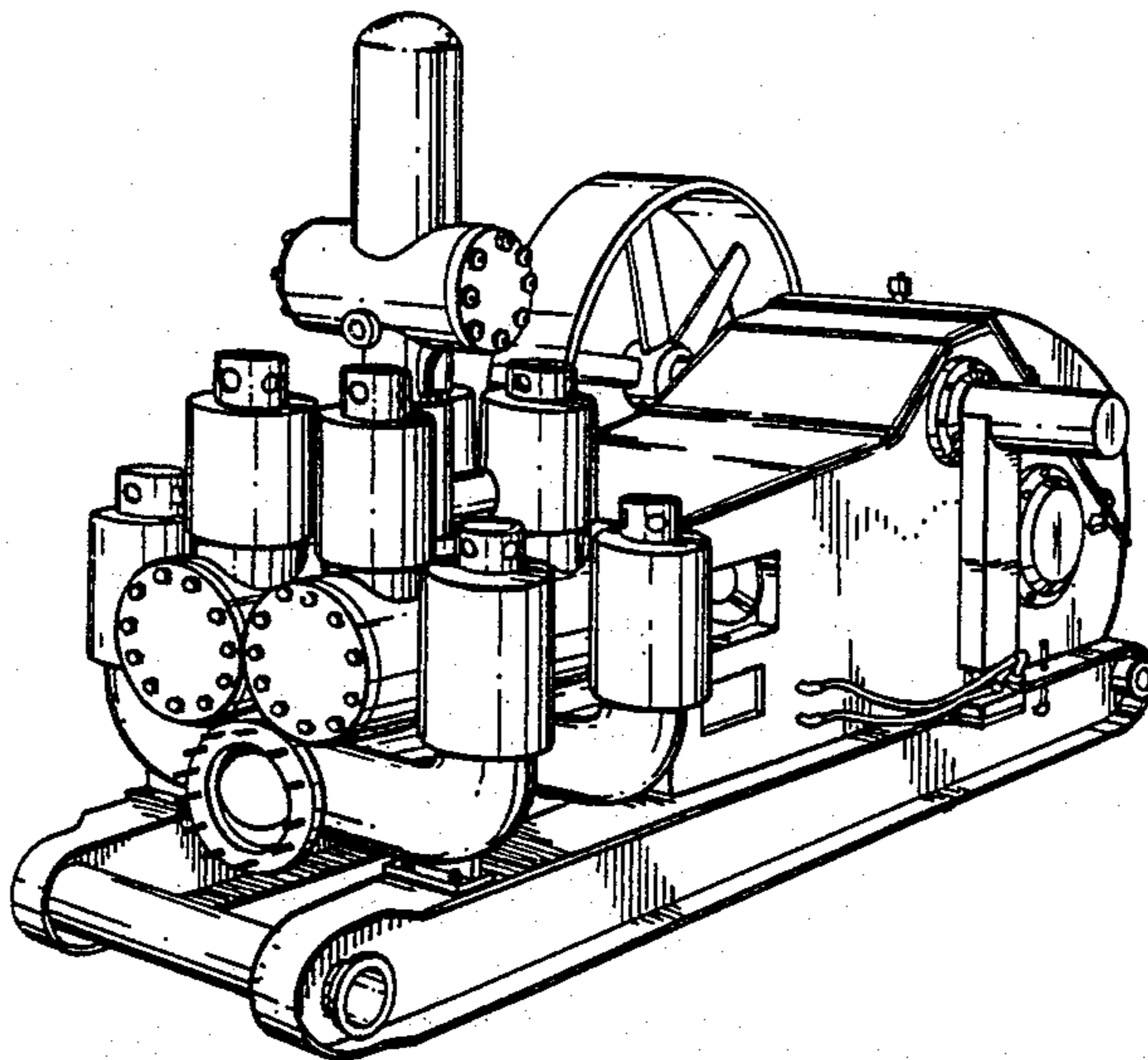
Primary Examiner—Wallace R. Burke
Assistant Examiner—Lynn Wilder
Attorney, Agent, or Firm—Stevens, Davis, Miller & Mosher

[57] **CLAIM**

The ornamental design for a duplex mud pump, as shown.

DESCRIPTION

FIG. 1 is a front perspective view of a duplex mud pump showing my new design; FIG. 2 is a front elevational view thereof, with certain parts omitted for ease of illustration; FIG. 3 is a rear perspective thereof; FIG. 4 is a bottom plan view thereof with certain parts omitted for ease of illustration; and FIG. 5 is a right side elevational view thereof with certain parts omitted for ease of illustration.



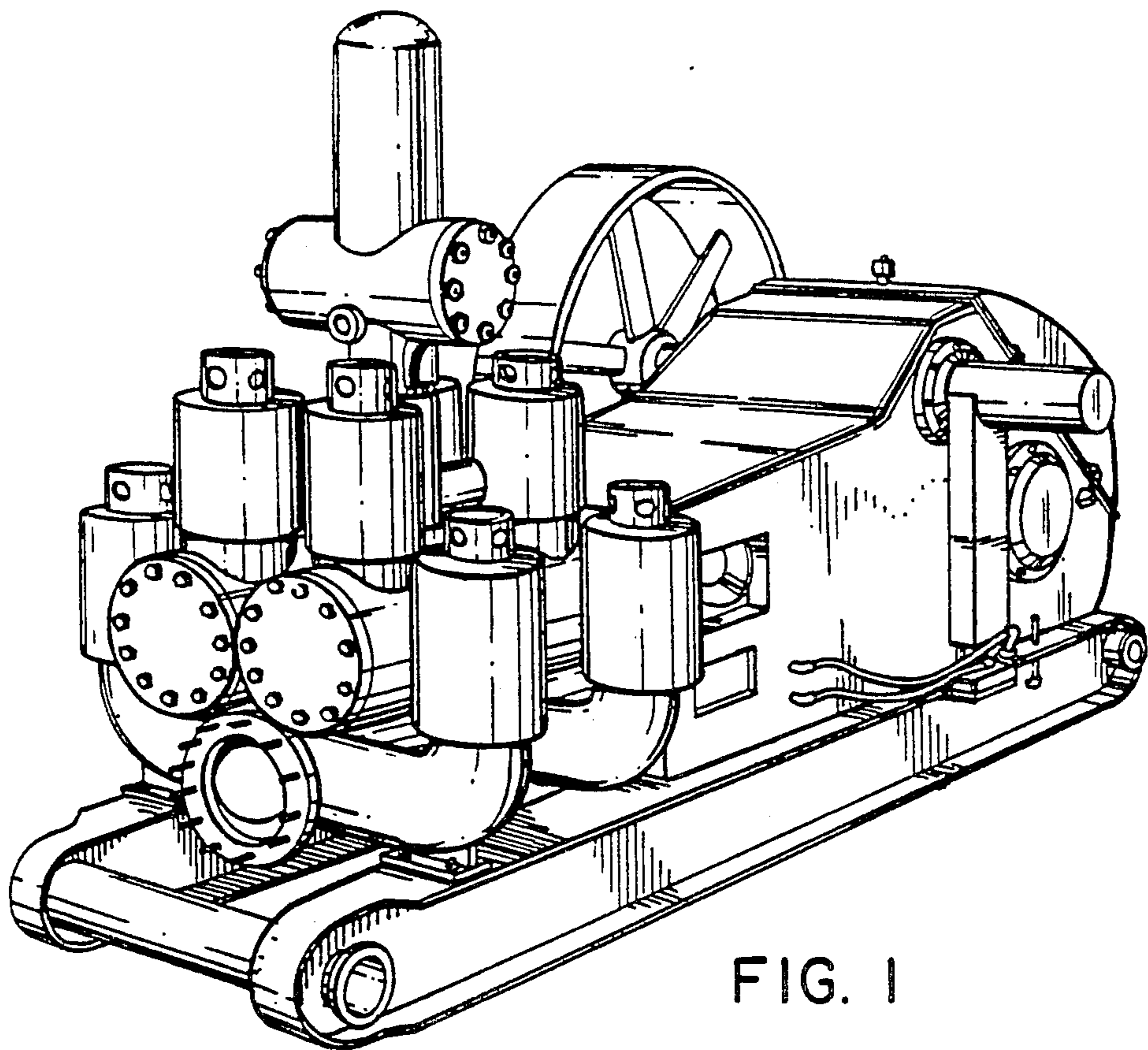


FIG. 1

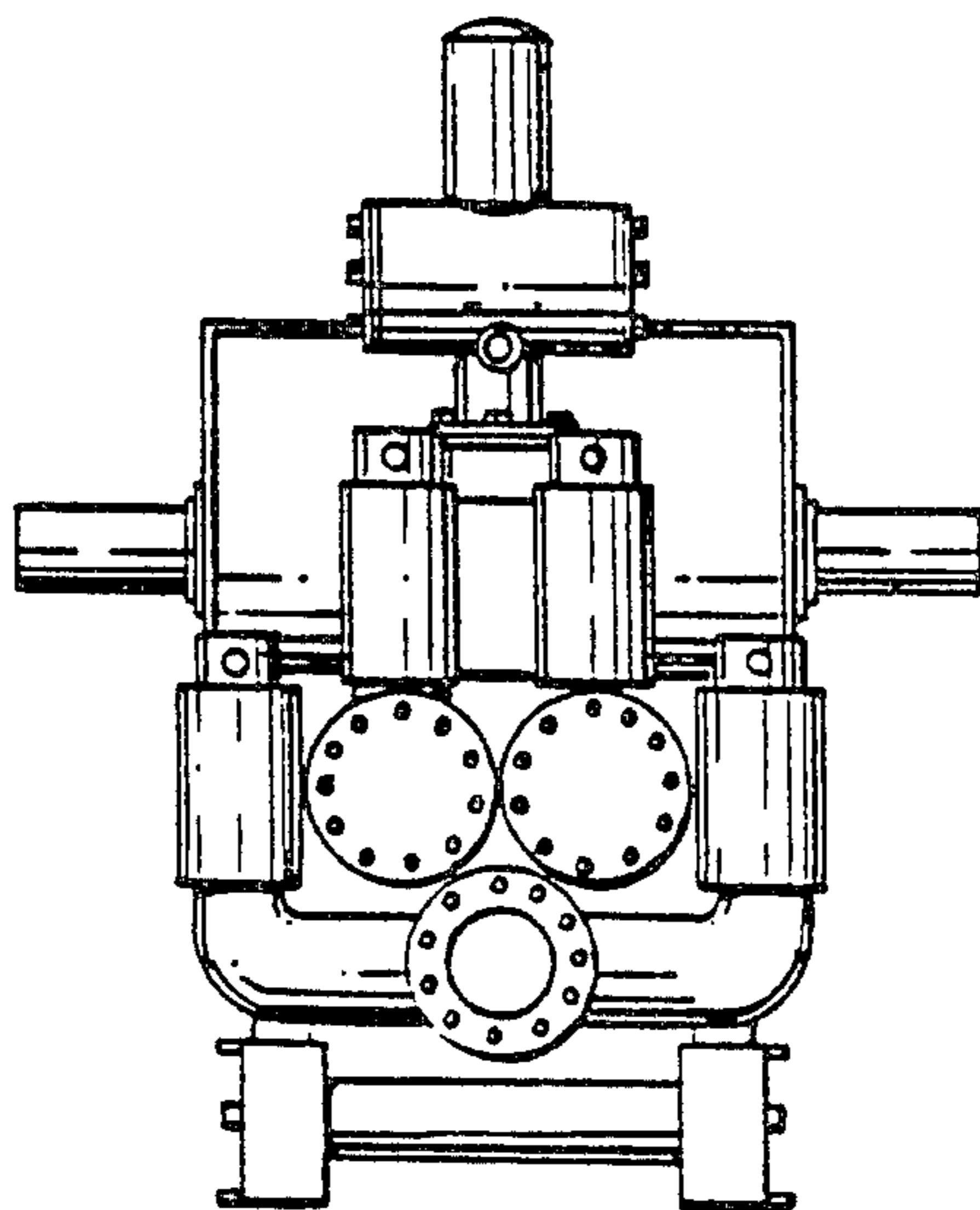


FIG. 2

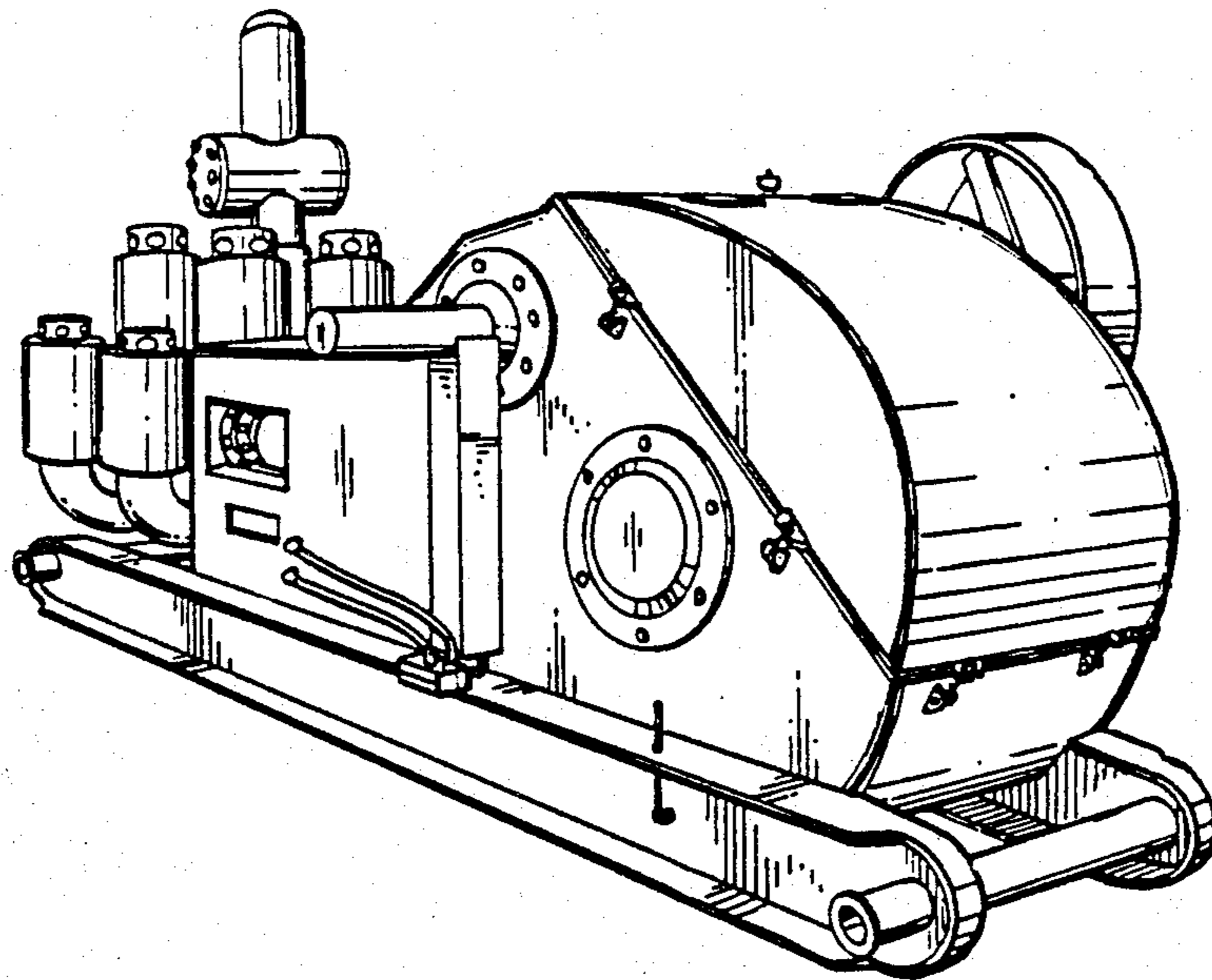


FIG. 3

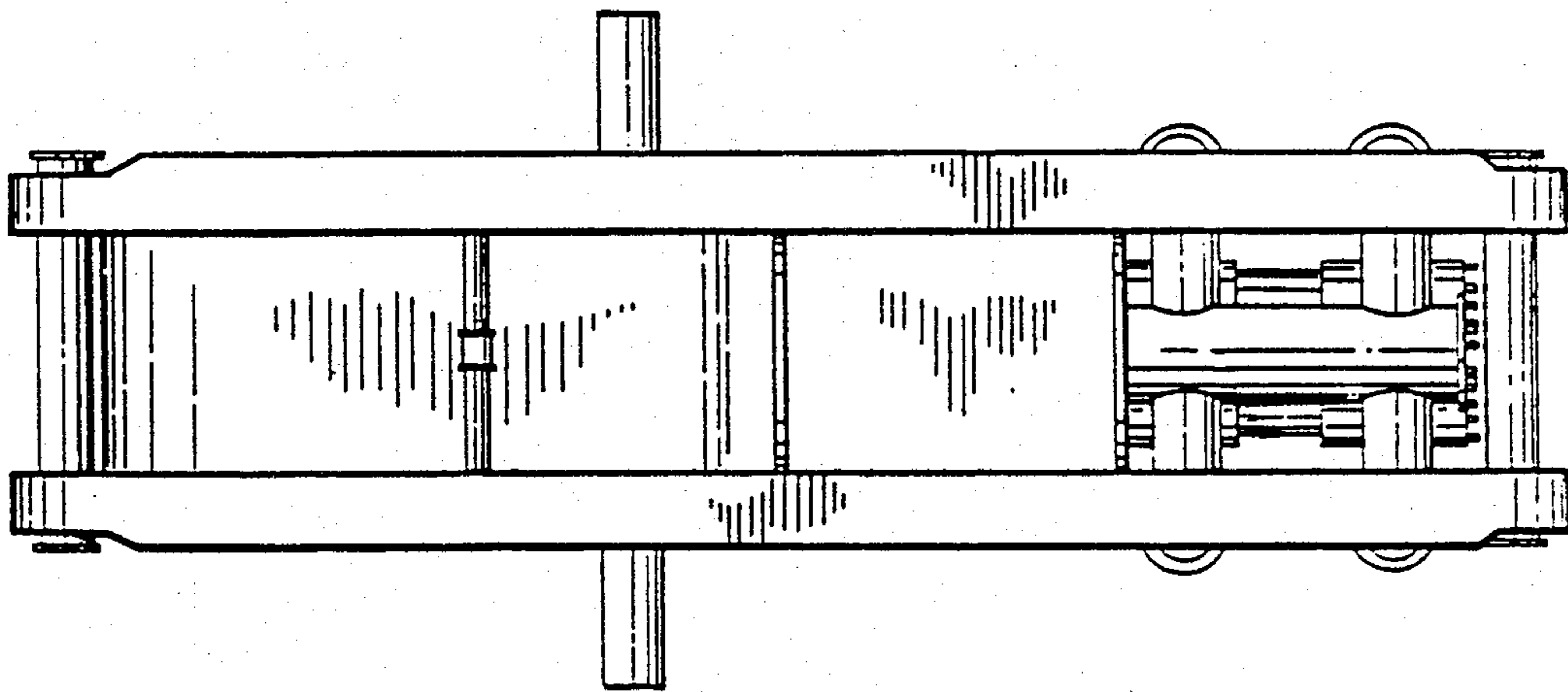


FIG. 4

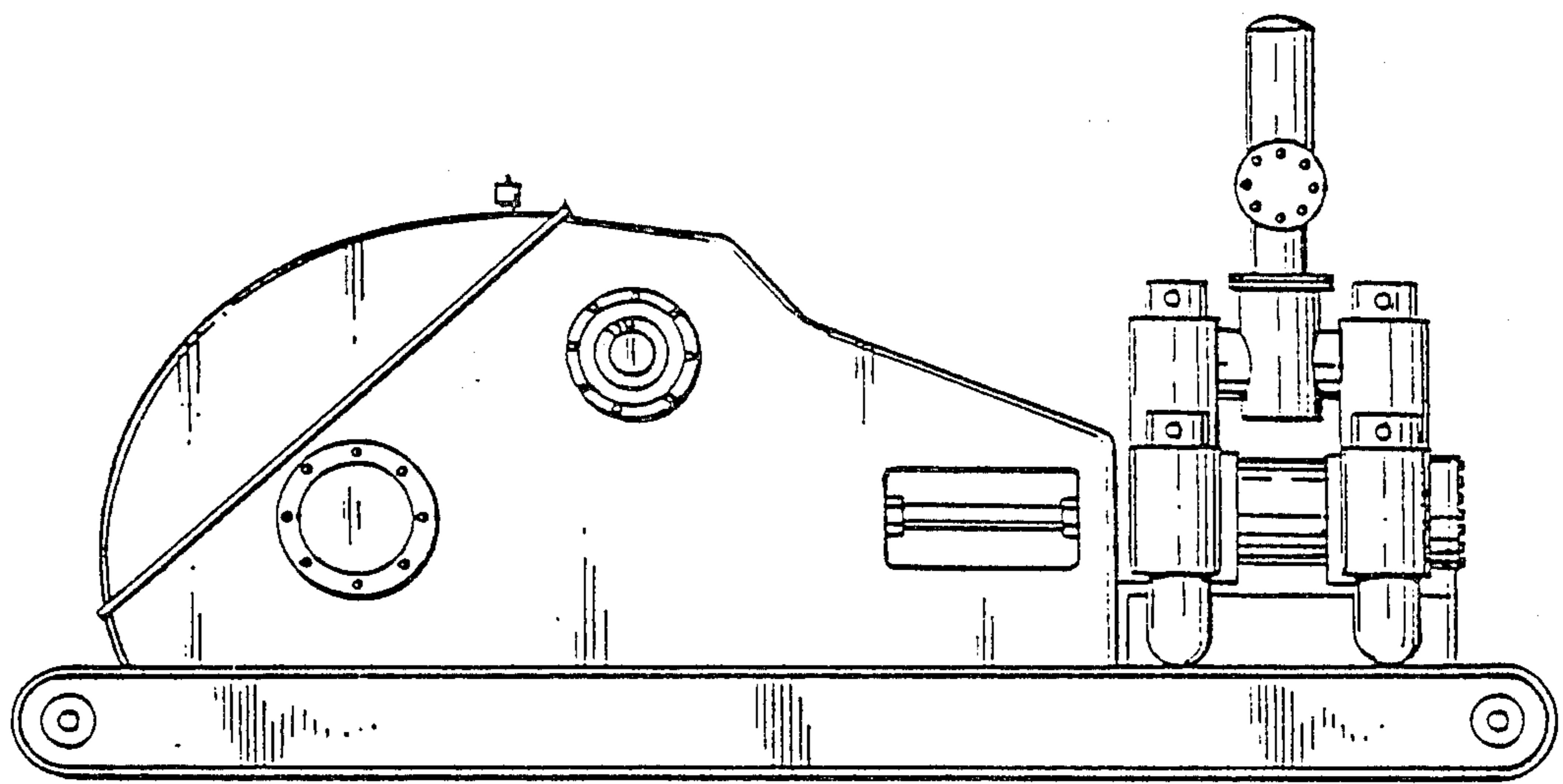


FIG. 5