

[54] TELEPHONE ANSWERING MACHINE WITH HANDSET

[75] Inventors: Haruo Baba, Kanagawa; Teisuke Kurosu, Tokyo; Fumiharu Ohta, Kanagawa; Kazumasa Takenaka, Kanagawa; Satoshi Watanabe, Kanagawa, all of Japan

[73] Assignee: Matsushita Electric Industrial Co., Osaka, Japan

[\*\*] Term: 14 Years

[21] Appl. No.: 438,231

[22] Filed: Nov. 1, 1982

[30] Foreign Application Priority Data

May 17, 1982 [JP] Japan ..... 57-21563

[52] U.S. Cl. .... D14/52; D14/4; D14/63

[58] Field of Search ..... D14/4, 52, 53, 56, 58, D14/59, 60, 63, 64; 179/6.03, 6.12, 100 R, 100 C, 100 D, 102, 103

[56] References Cited

U.S. PATENT DOCUMENTS

- D. 218,978 10/1970 Abraham ..... D14/4
- D. 219,658 1/1971 Federico ..... D14/4
- D. 225,749 1/1973 Calto et al. .... D14/4

- D. 227,784 7/1973 Janda et al. .... D14/4
- D. 258,283 2/1981 Stoddard ..... D14/60
- D. 262,875 2/1982 Franchi et al. .... D14/4
- D. 266,763 11/1982 Grae ..... D14/53
- D. 267,178 12/1982 Mona ..... D14/63
- 3,904,826 9/1975 Murato et al. .... D14/4

Primary Examiner—Wallace R. Burke  
Assistant Examiner—Horace B. Fay  
Attorney, Agent, or Firm—Sughrue, Mion, Zinn, Macpeak, and Seas

[57] CLAIM

The ornamental design for a telephone answering machine with handset, as shown and described.

DESCRIPTION

FIG. 1 is a front, top and right side perspective view of a telephone answering machine with handset showing our new design;

FIG. 2 is a bottom, rear and left side perspective view thereof;

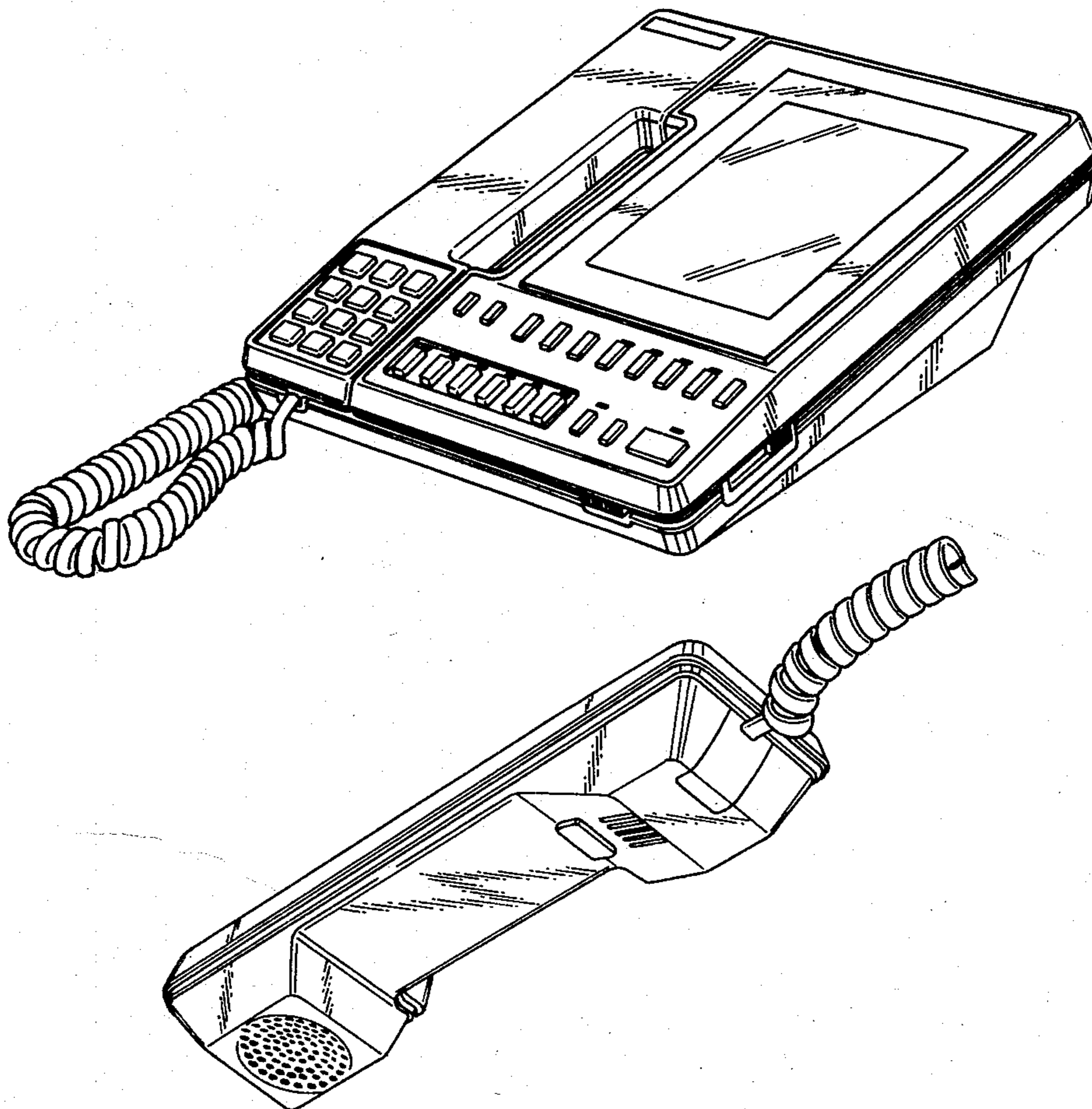
FIG. 3 is a bottom, front and right side perspective view thereof;

FIG. 4 is a top perspective view of the handset;

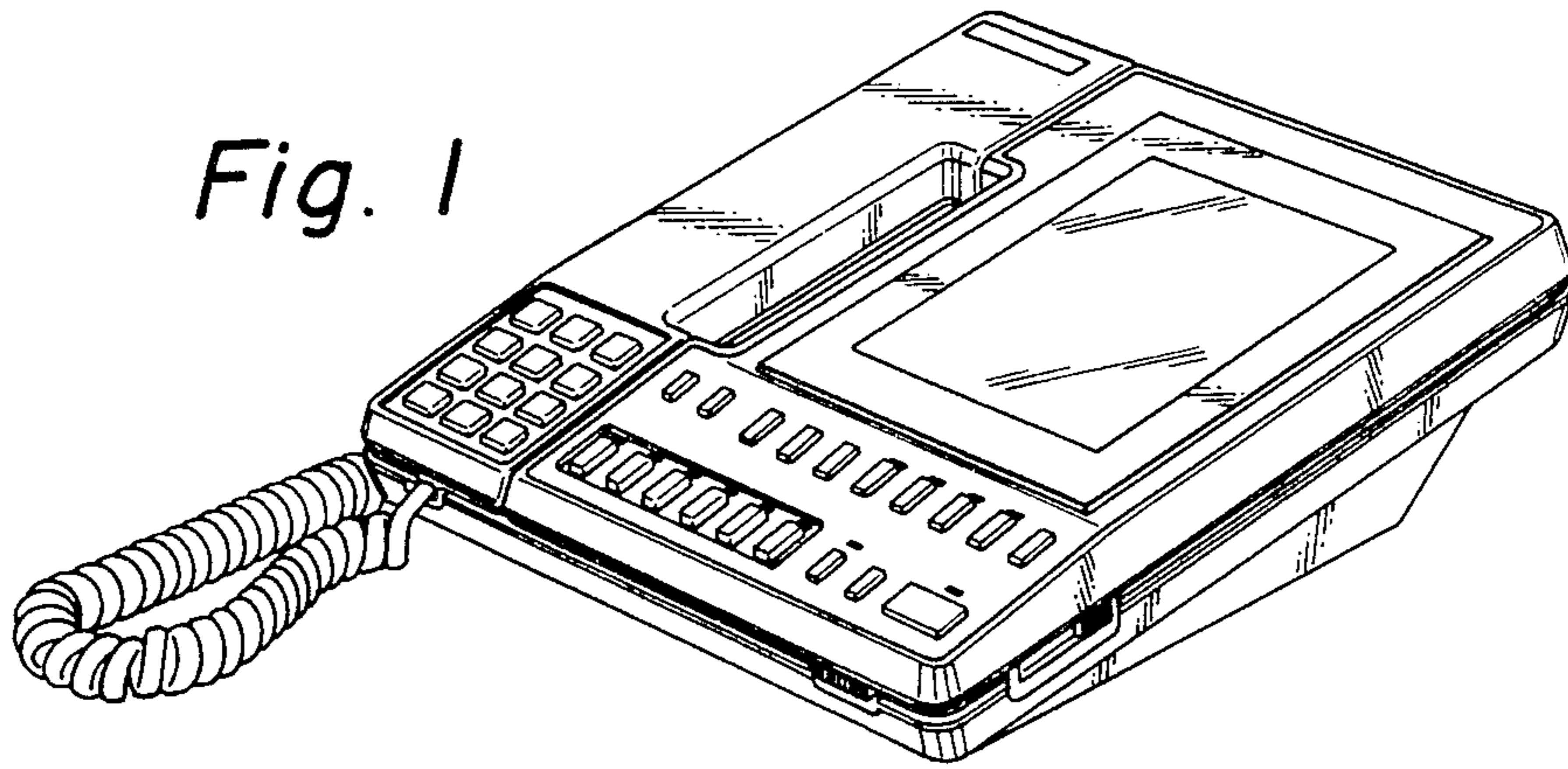
FIG. 5 is a bottom perspective view of the handset; and

FIG. 6 is a front, top and right side perspective view thereof with the handset displaced to the left of the machine proper.

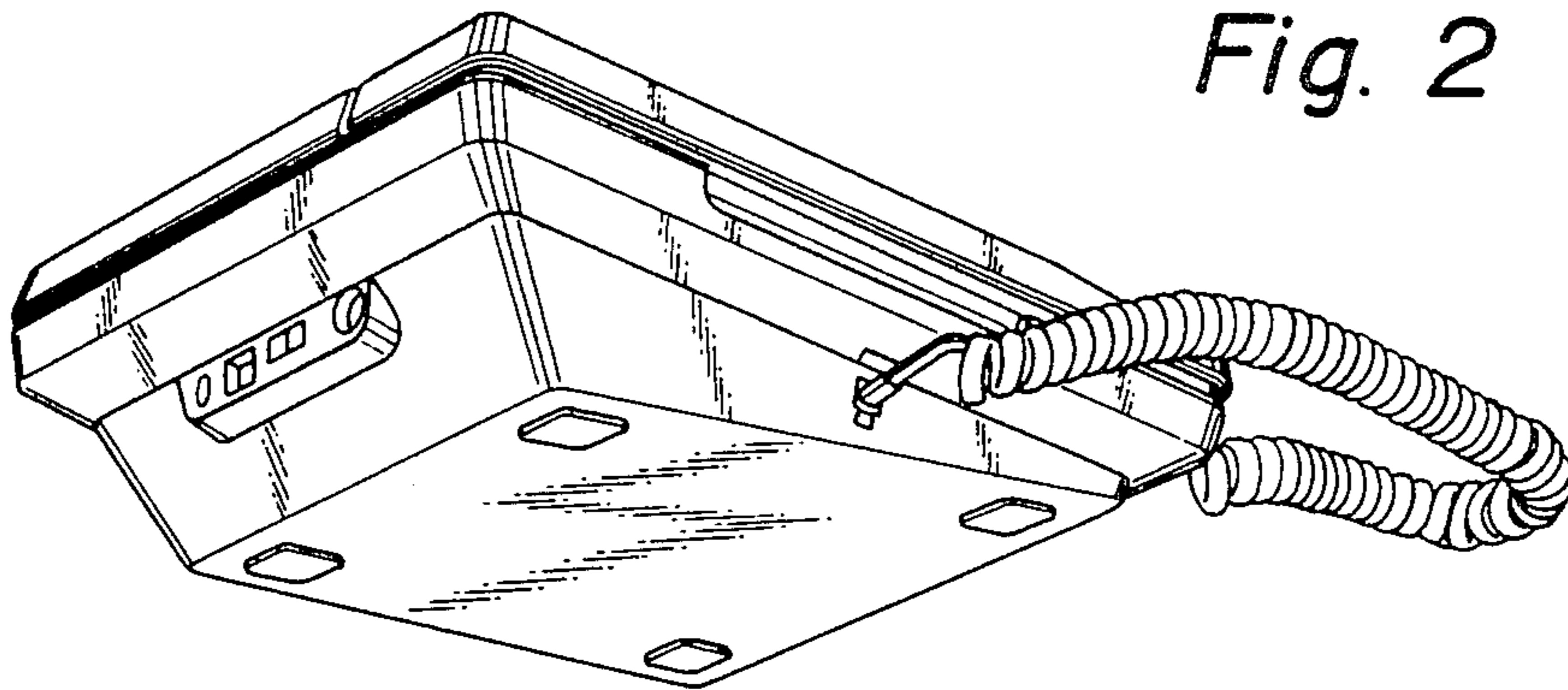
The truncated showing of the cord in FIGS. 4 and 5 is for ease of illustration.



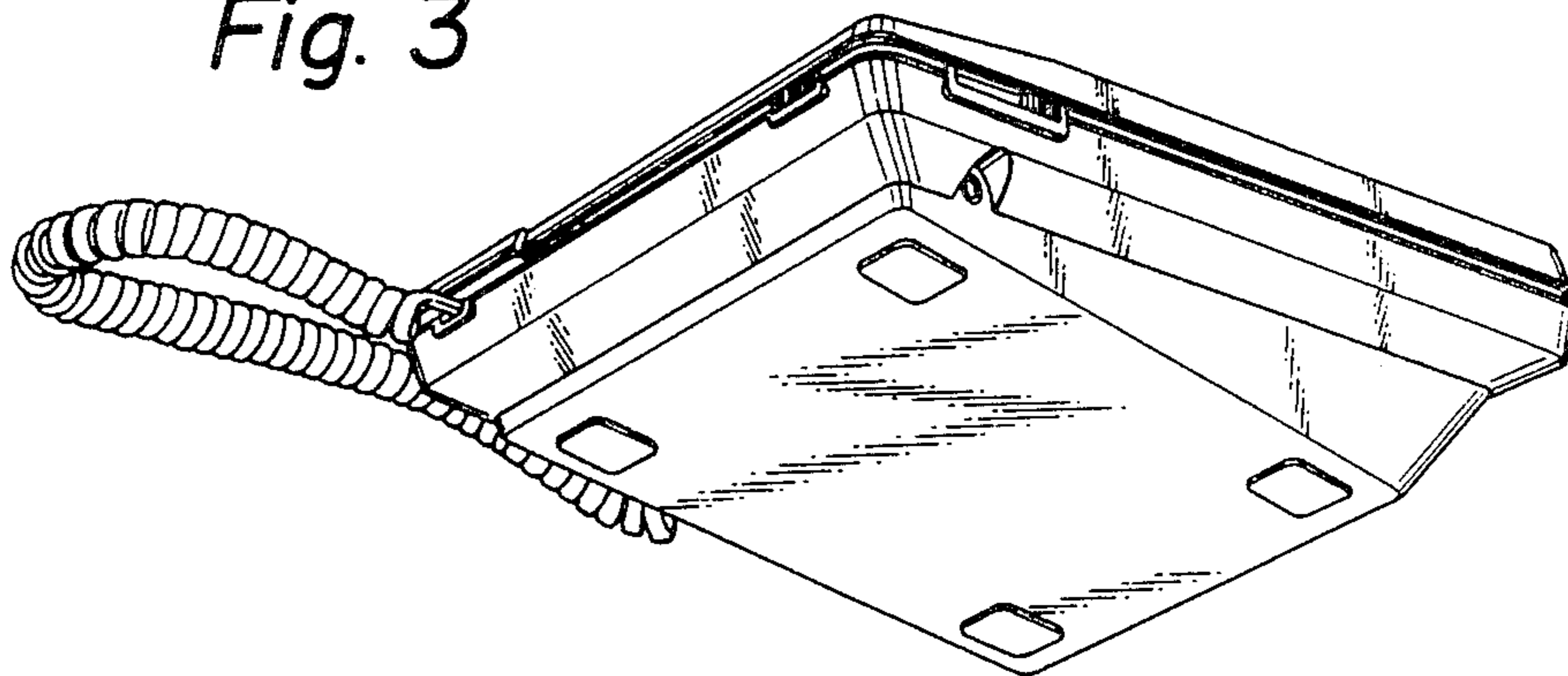
*Fig. 1*



*Fig. 2*



*Fig. 3*





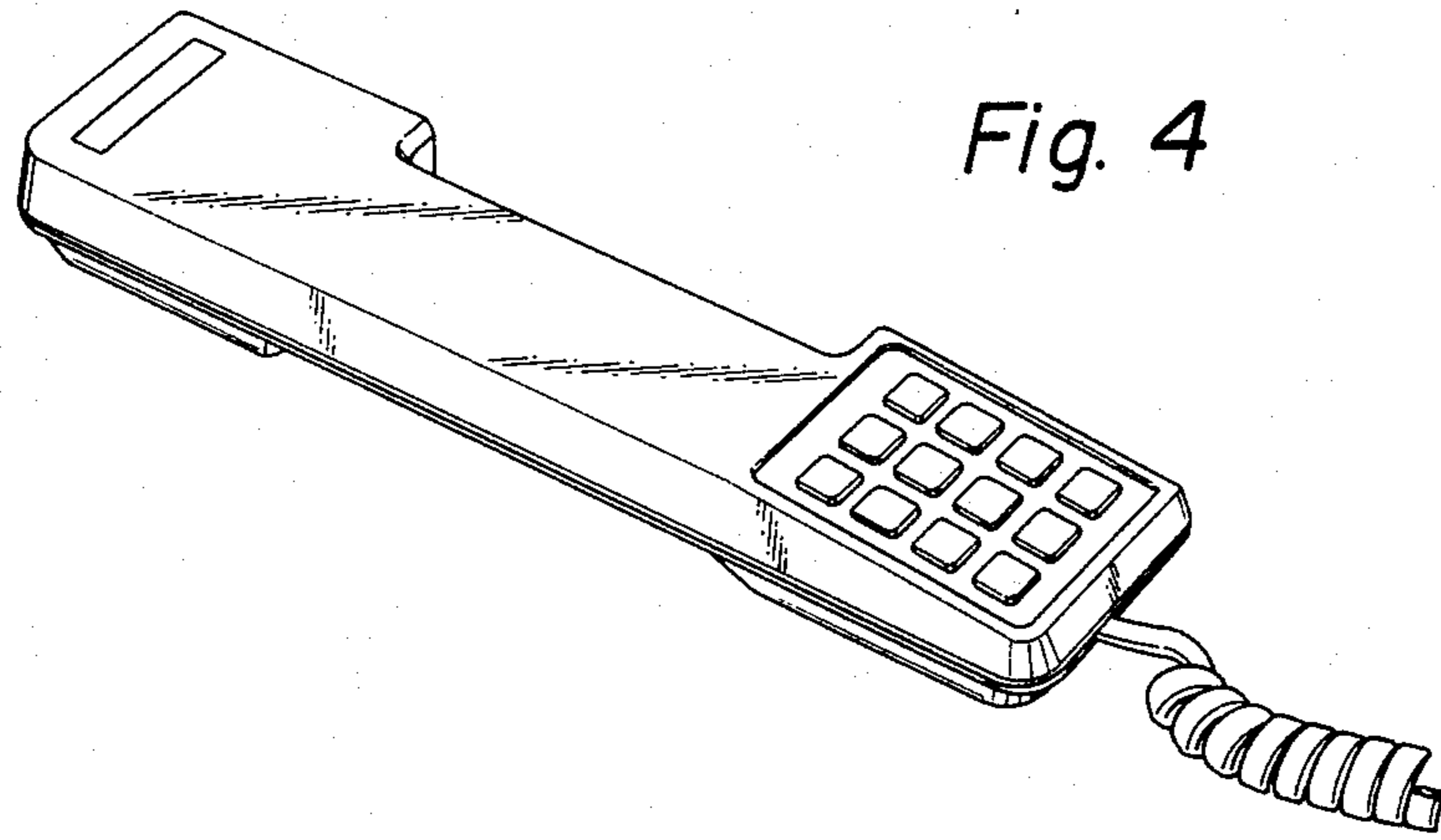


Fig. 4

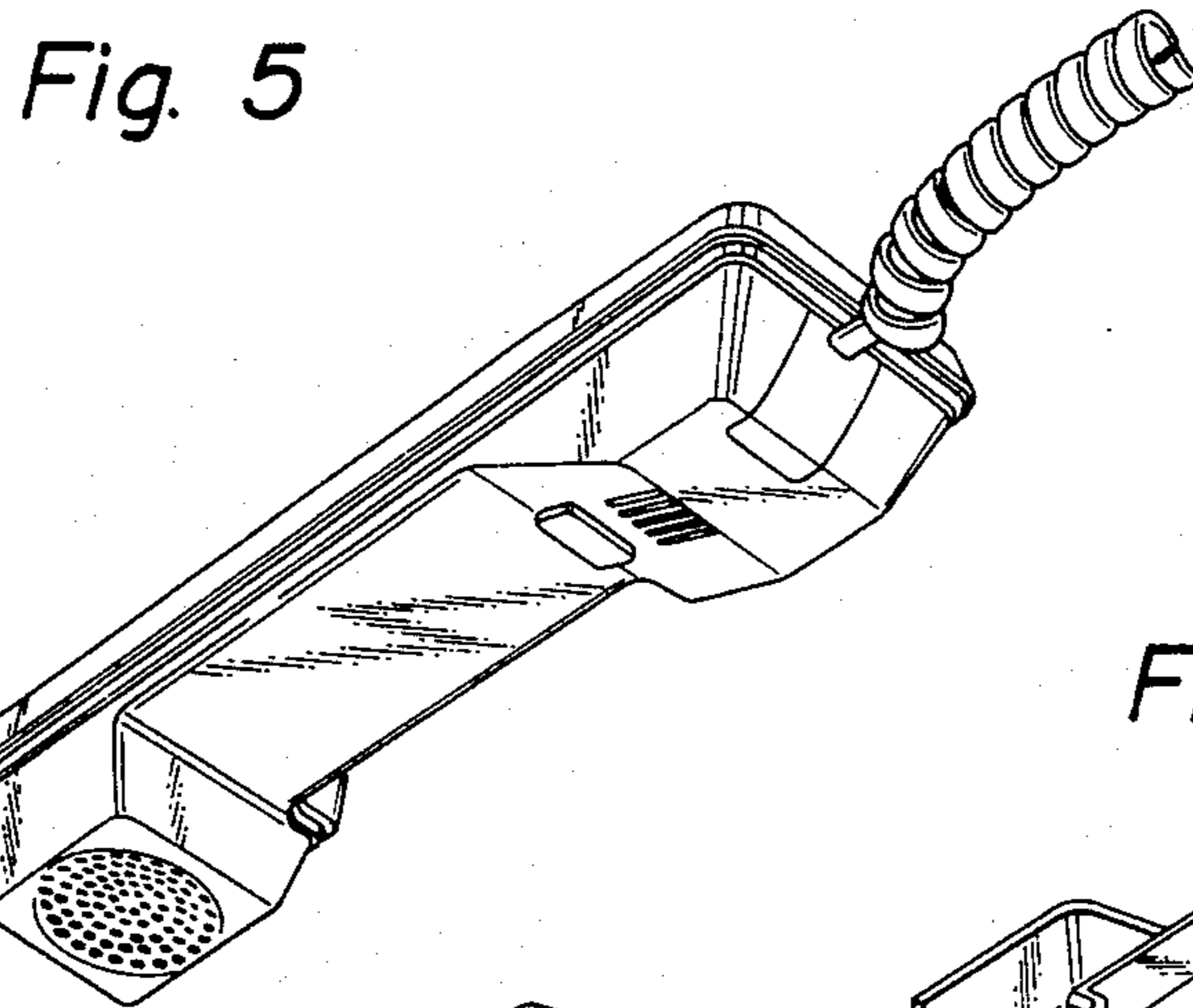


Fig. 5

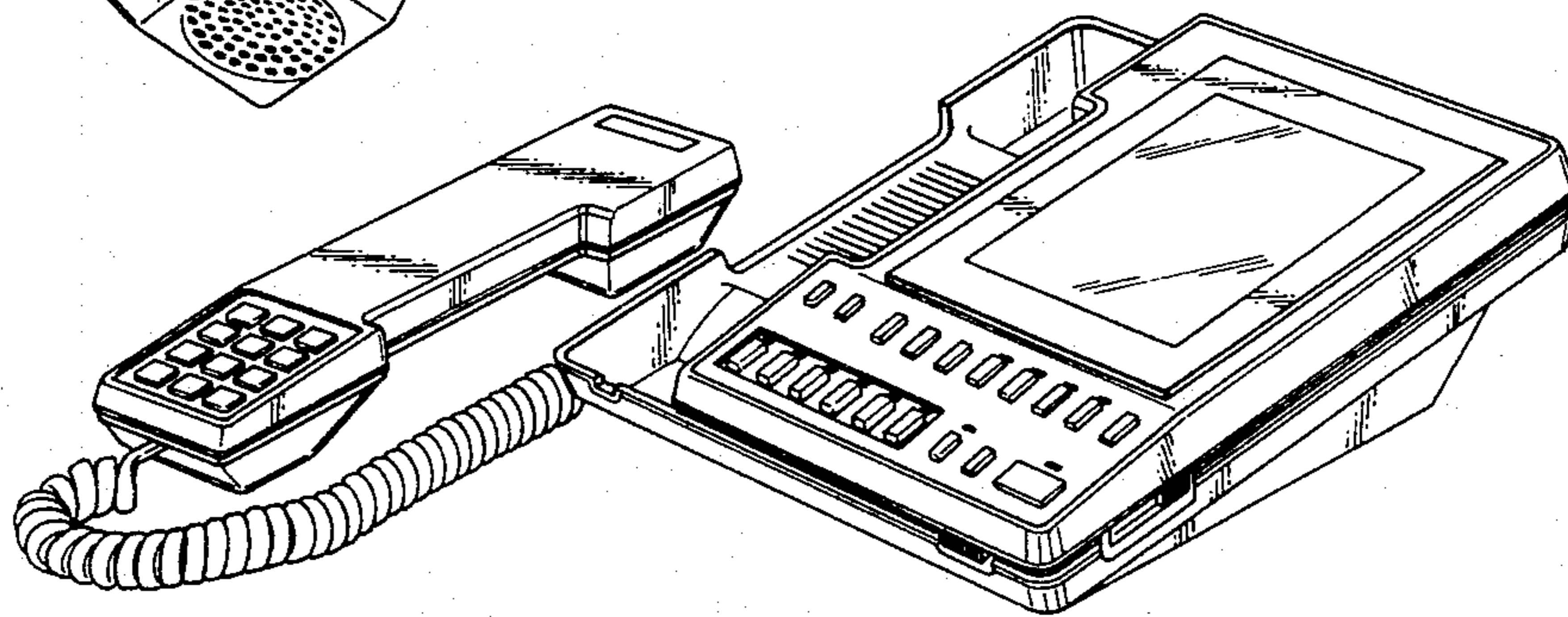


Fig. 6