

[54] PHONOGRAPH

[75] Inventors: Galen C. Arrington, 4535 E. Beverly La., Phoenix, Ariz. 85032; Allen E. Christ; Theodore W. Keller, both of Scottsdale, Ariz.; Clark W. Eichhorn, Phoenix, Ariz.

[73] Assignee: Galen C. Arrington, Phoenix, Ariz.

[**] Term: 14 Years

[21] Appl. No.: 468,065

[22] Filed: Feb. 22, 1983

[52] U.S. Cl. D14/16

[58] Field of Search D14/16, 17, 24, 14

[56] References Cited

U.S. PATENT DOCUMENTS

| | | | |
|------------|---------|------------------|----------|
| D. 120,103 | 4/1940 | Boor et al. | D14/16 X |
| D. 152,710 | 2/1949 | Louchheim | D14/16 |
| D. 186,471 | 10/1959 | Steidinger | D14/16 |
| D. 201,256 | 6/1965 | Wolf | D14/16 |

OTHER PUBLICATIONS

Sears 1980 Christmas Catalog, "1980 'N'", p. 508, Item #4.

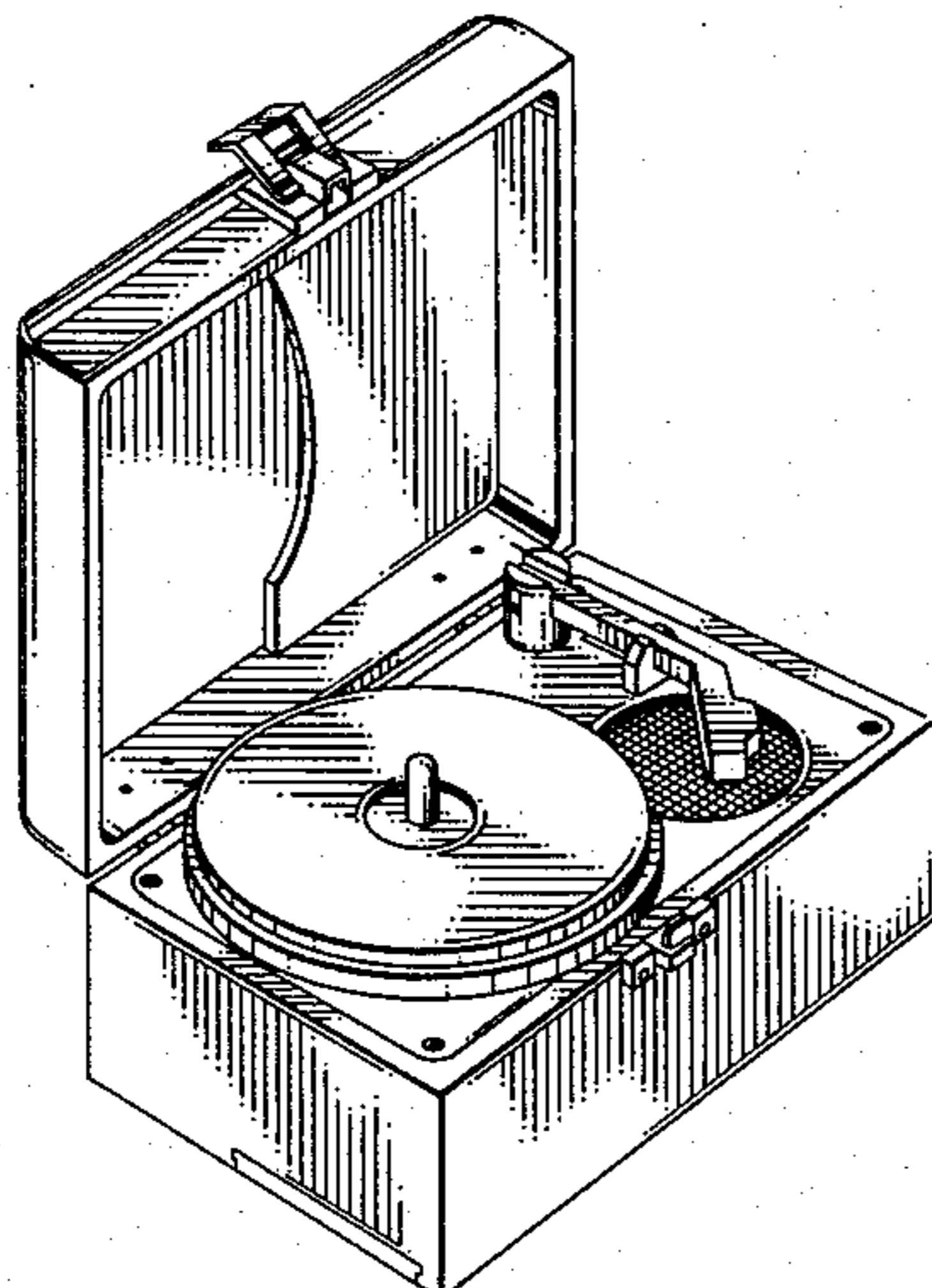
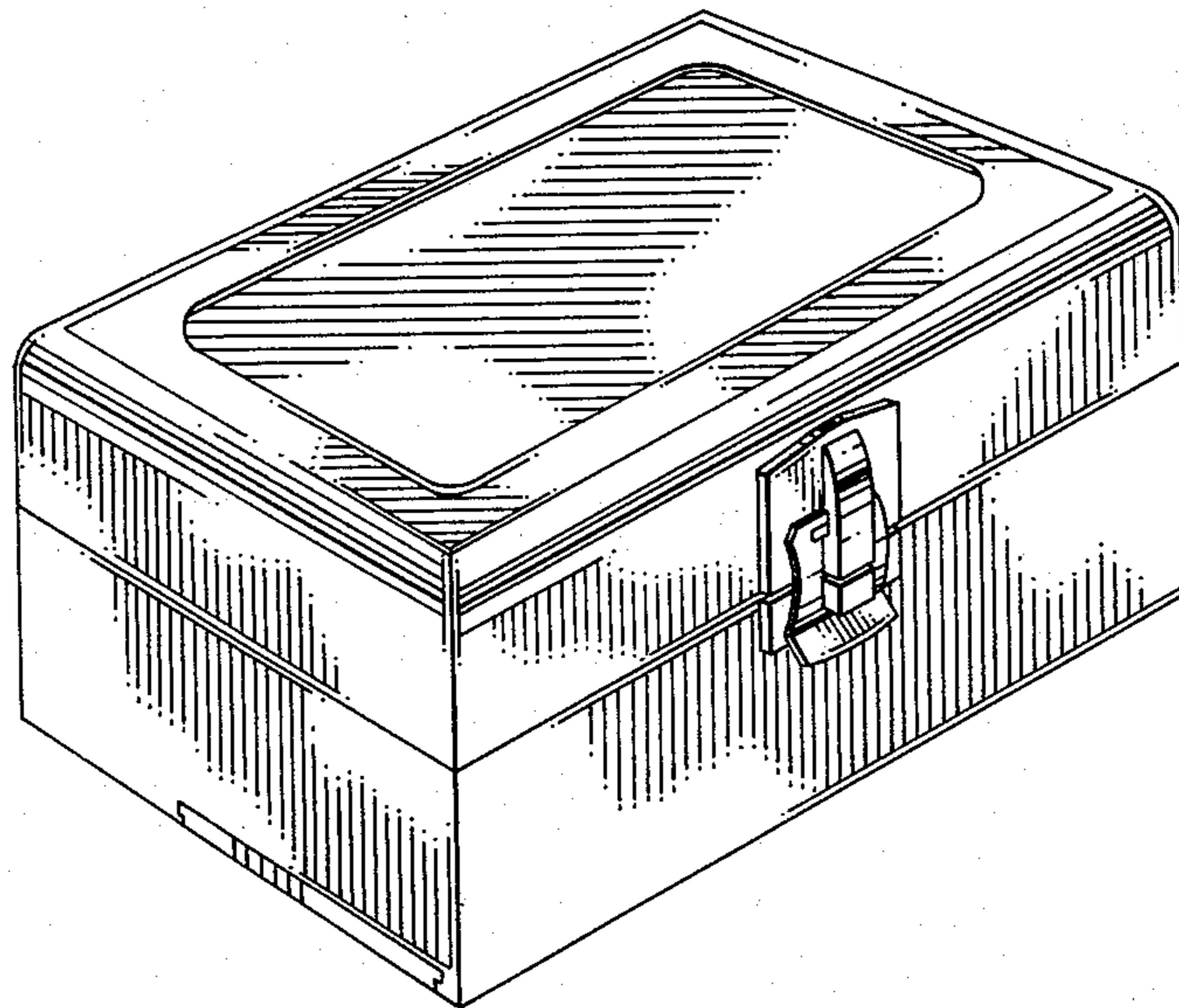
Primary Examiner—Jane E. Corrigan
Attorney, Agent, or Firm—Don J. Flickinger

[57] CLAIM

The ornamental design for a phonograph, as shown and described.

DESCRIPTION

FIG. 1 is a front, top and left side perspective view of a phonograph showing our new design;
FIG. 2 is a bottom plan view;
FIG. 3 is a rear elevational view;
FIG. 4 is a right side elevational view;
FIG. 5 is a view like FIG. 1 with the lid in partially open position;
FIG. 6 is a rear, top and right side perspective view with the lid in fully open position; and
FIG. 7 is a view like FIG. 6 with the lid in the position shown in FIG. 5.



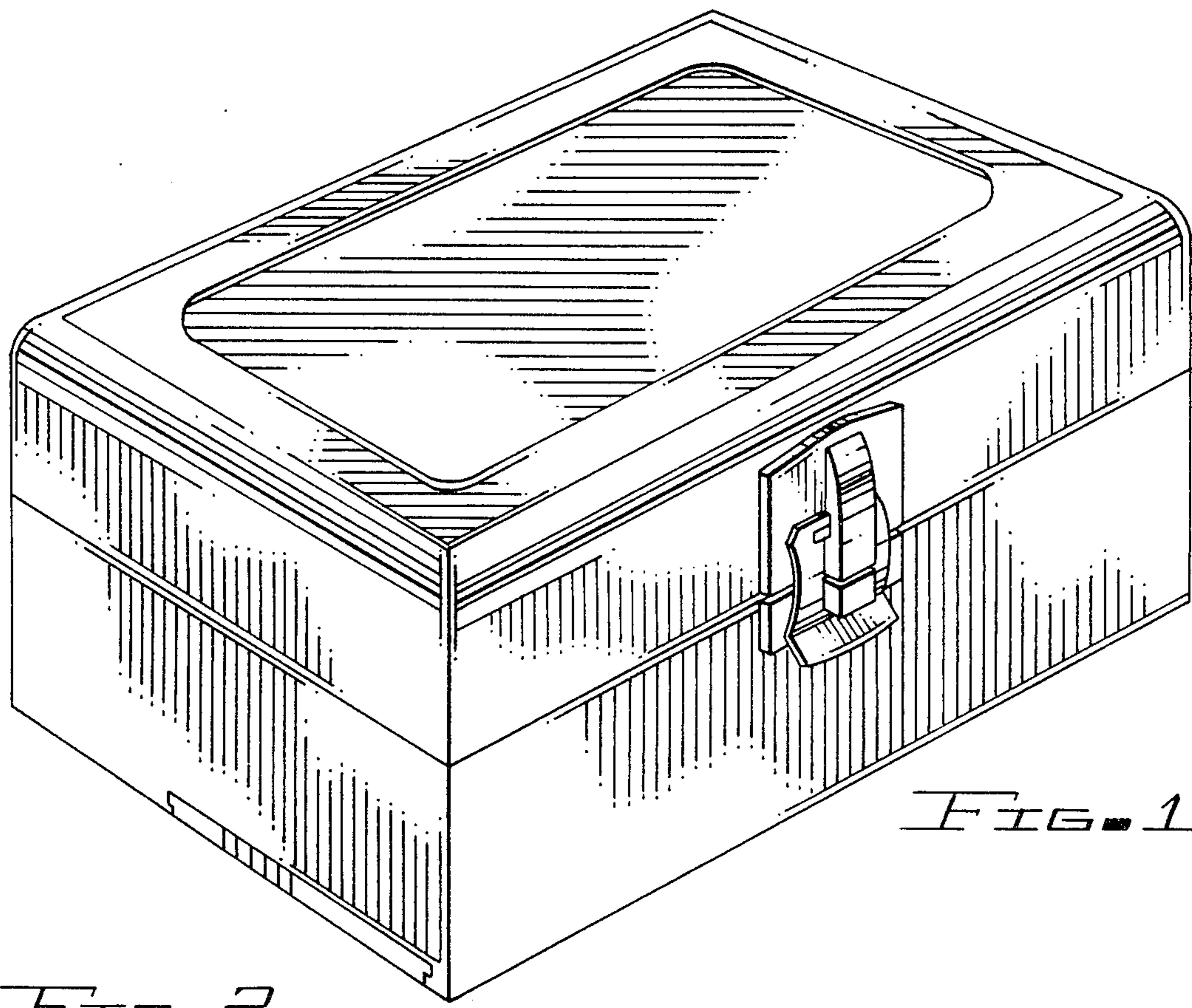


FIG. 1

FIG. 2

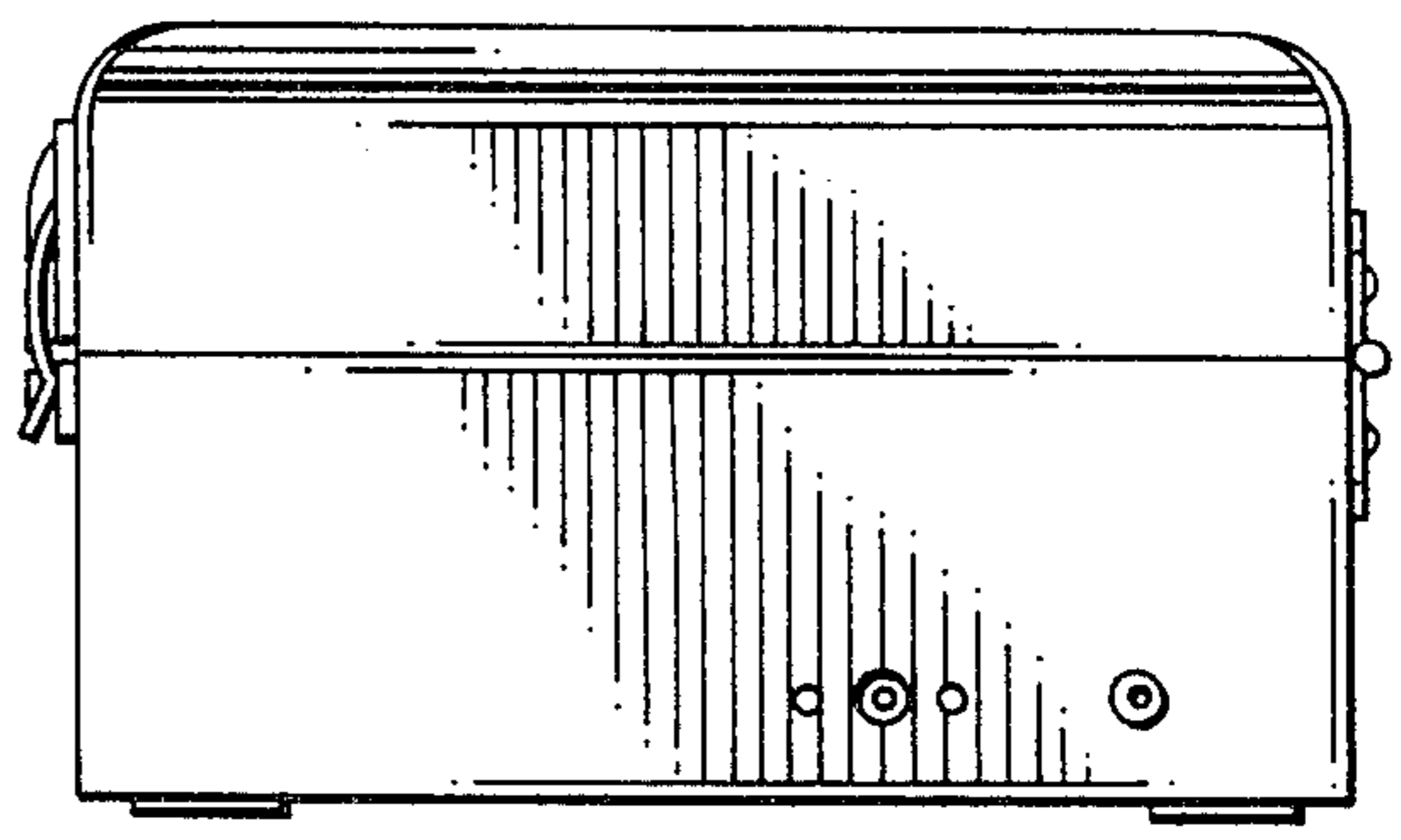
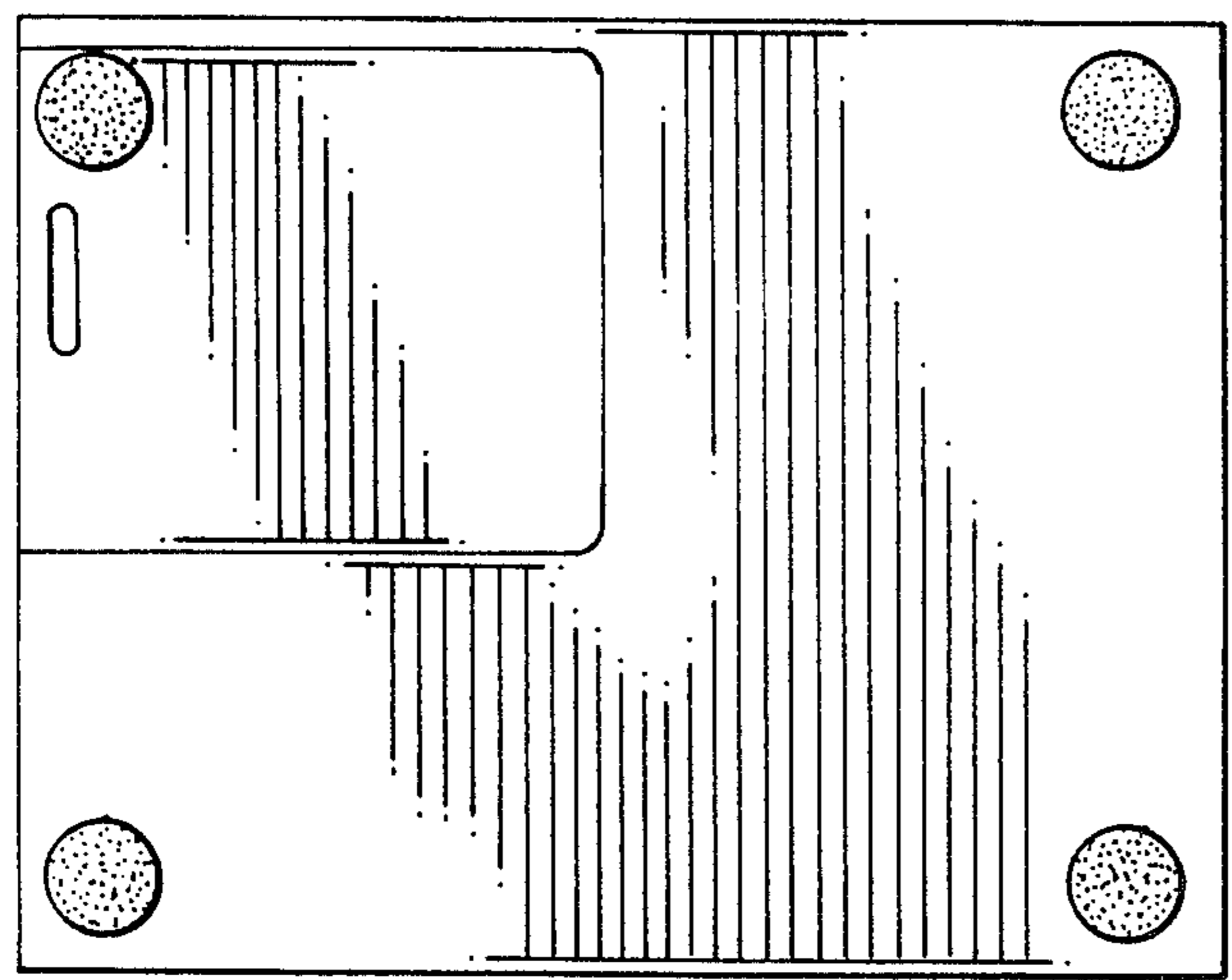


FIG. 4

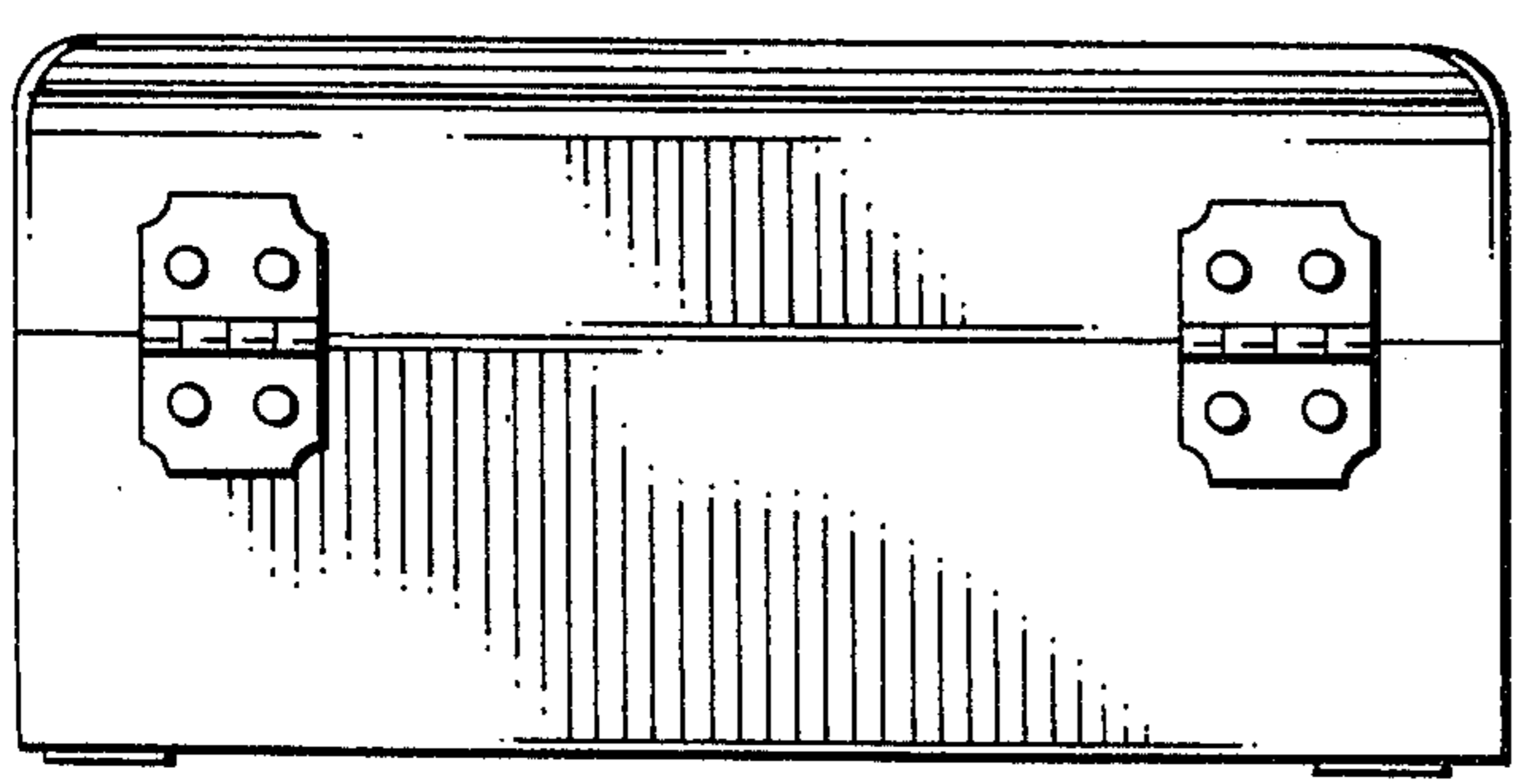


FIG. 3

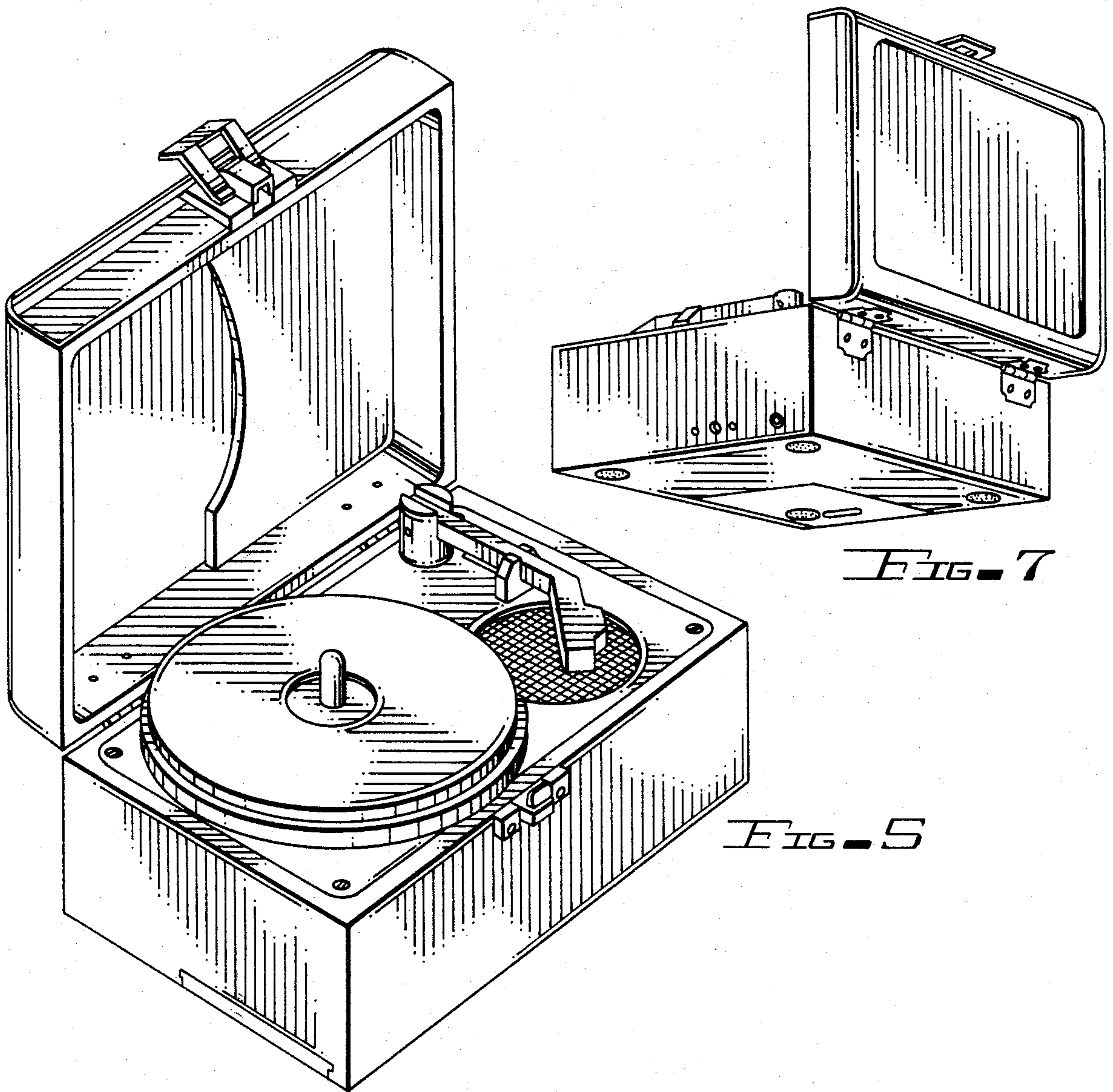


FIG. 7

FIG. 5

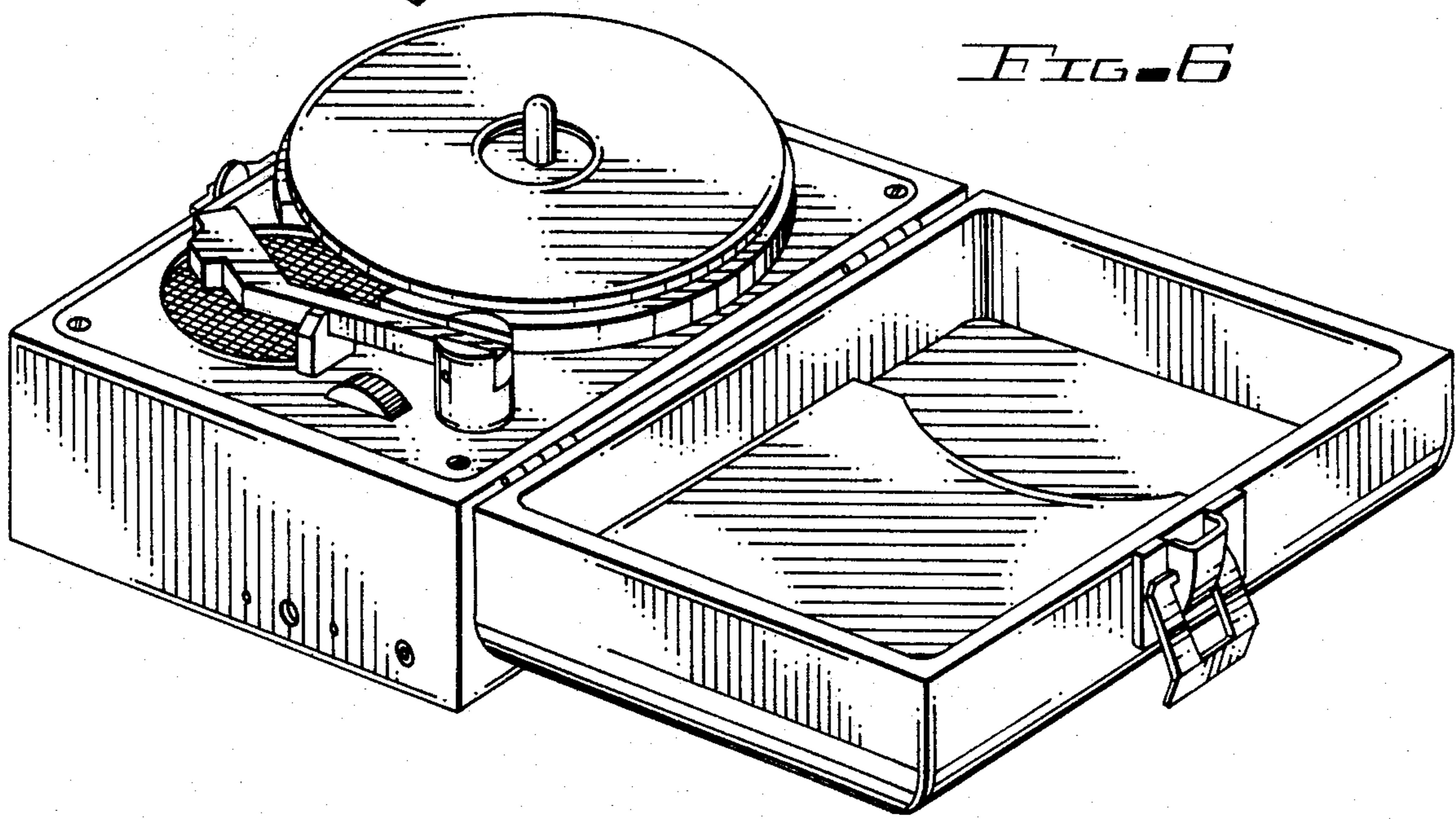


FIG. 6