

[54] BOTTLE CAP

[75] Inventor: David W. Mitchell, Orange, Calif.

[73] Assignee: Allergan Pharmaceuticals, Inc., Irvine, Calif.

[**] Term: 14 Years

[21] Appl. No.: 496,753

[22] Filed: May 20, 1983

[52] U.S. Cl. D9/450

[58] Field of Search D9/450, 449, 438, 443, D9/435, 436, 447, 448; 215/306, 245, 237; 220/375; 222/543

3,255,928 6/1966 Foster 222/153
 4,022,352 5/1977 Pehr 220/375 X
 4,124,151 11/1978 Hazard 222/498

Primary Examiner—Bernard Ansher
 Assistant Examiner—Linda Titolo
 Attorney, Agent, or Firm—Stuart R. Suter; Richard D. Foggio; Alan D. Lourie

[57] CLAIM

The ornamental design for a bottle cap, as shown and described.

DESCRIPTION

FIG. 1 is a top perspective view of a bottle cap in the closed position showing my new design;
 FIG. 2 is a top perspective view of the bottle cap in FIG. 1 in an open position;
 FIG. 3 is a right side elevational view of the bottle cap of FIG. 1;
 FIG. 4 is a top plan view thereof;
 FIG. 5 is a front elevational view thereof; and
 FIG. 6 is a rear elevational view thereof.

[56] References Cited

U.S. PATENT DOCUMENTS

Re. 29,793 10/1978 Pehr 222/153
 D. 145,125 7/1946 Feurer 220/324 X
 D. 275,457 9/1984 Libit D9/450
 D. 275,655 9/1984 Bainton D9/449 X

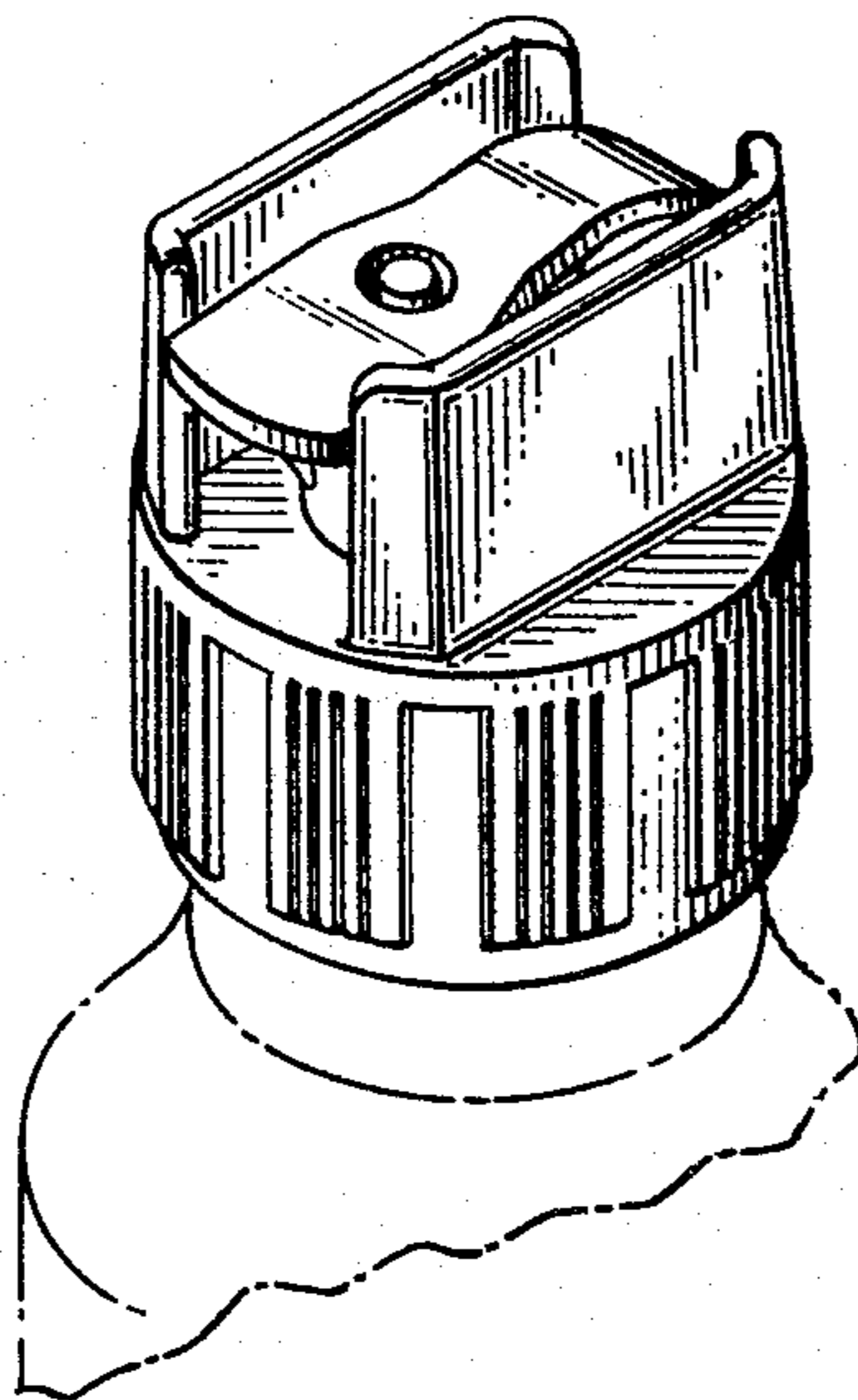


Fig. 1.

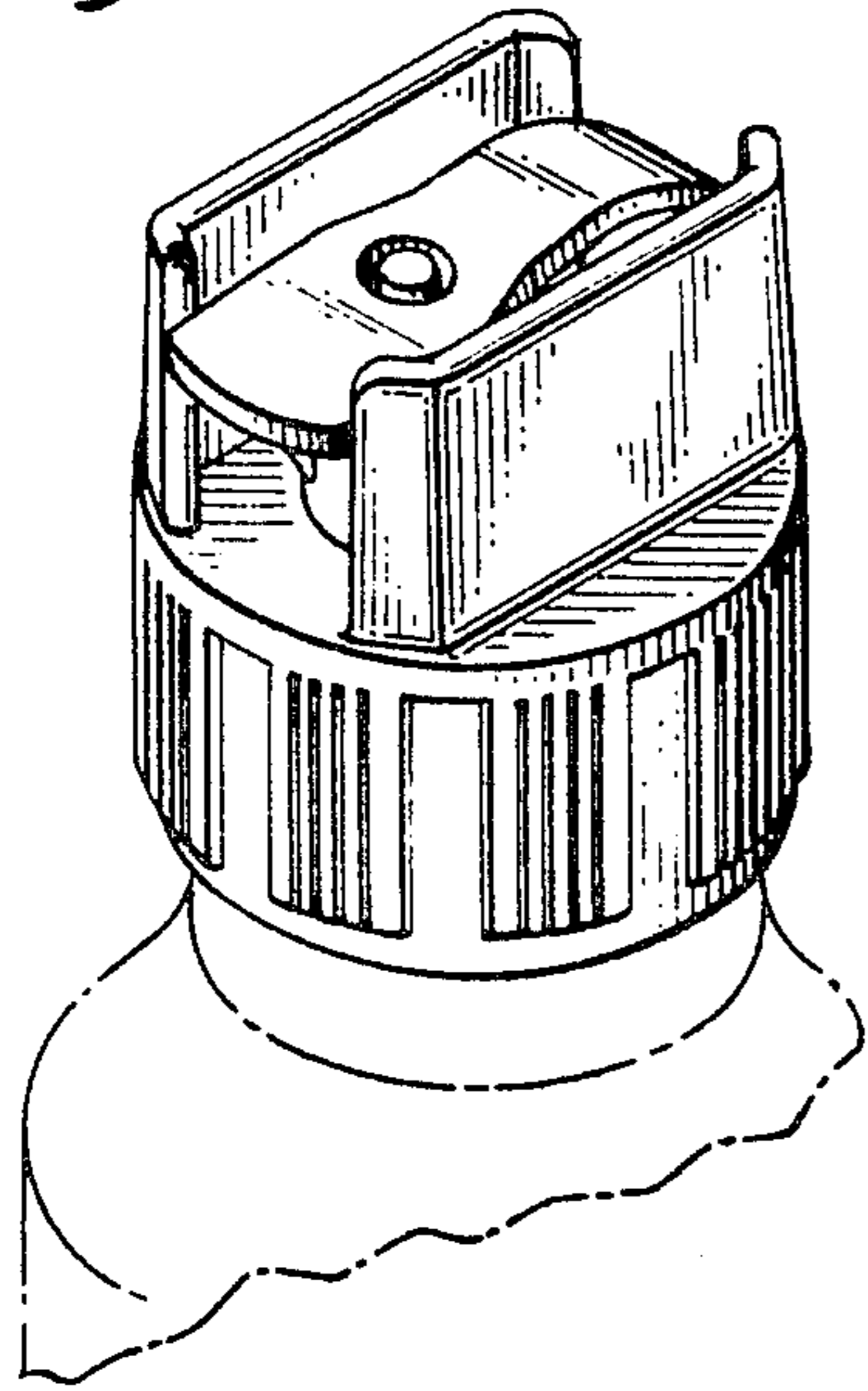


Fig. 2.

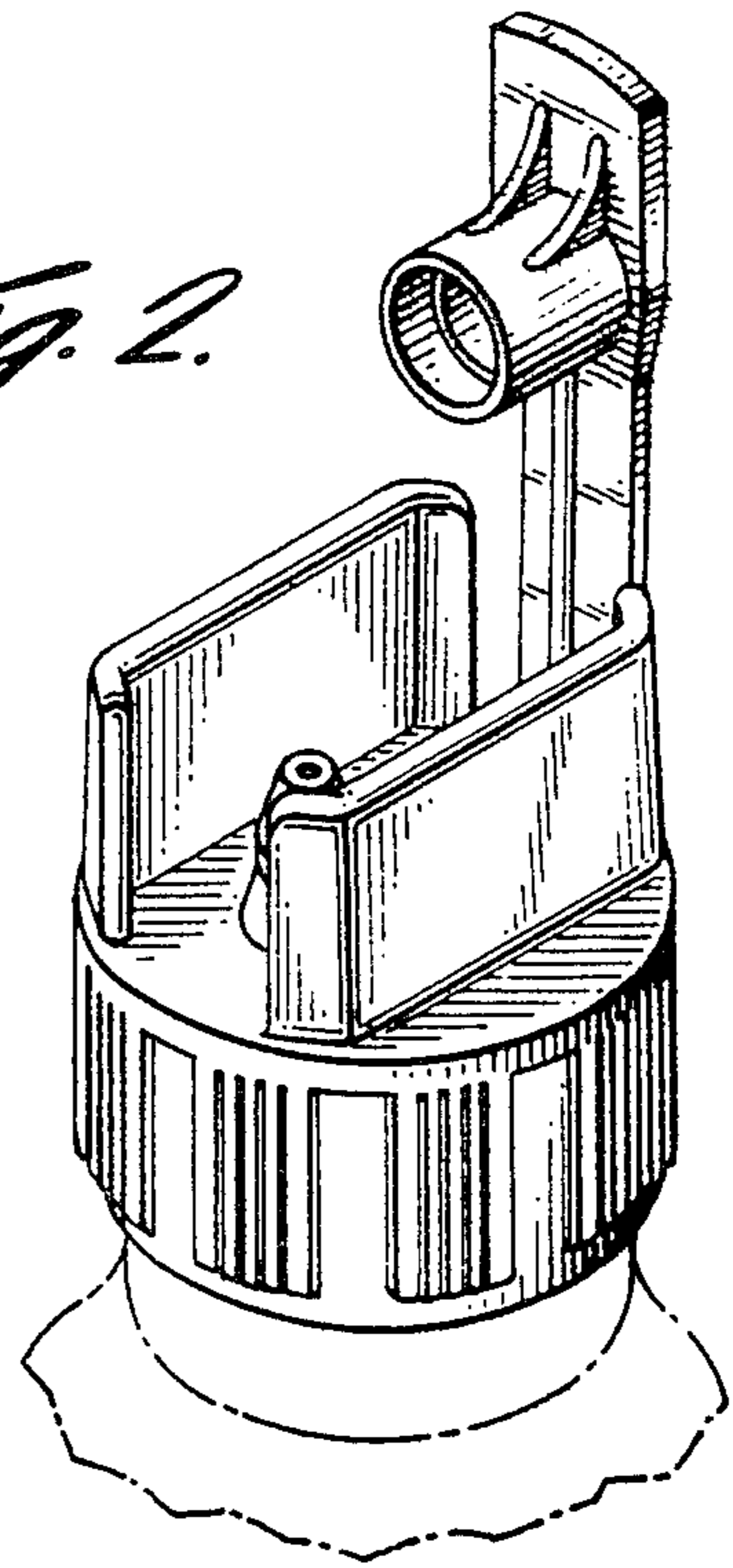


Fig. 4.

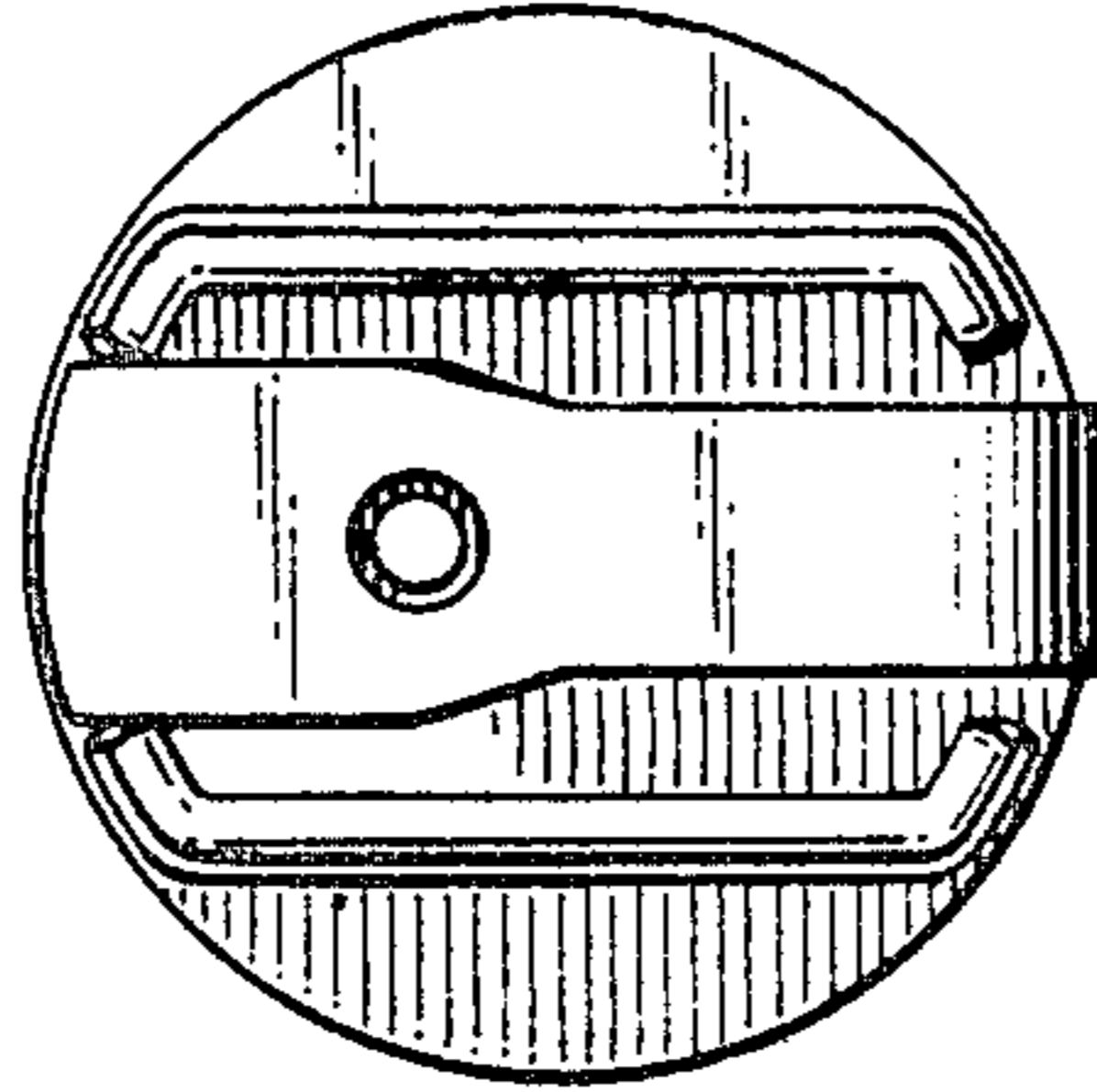


Fig. 5.

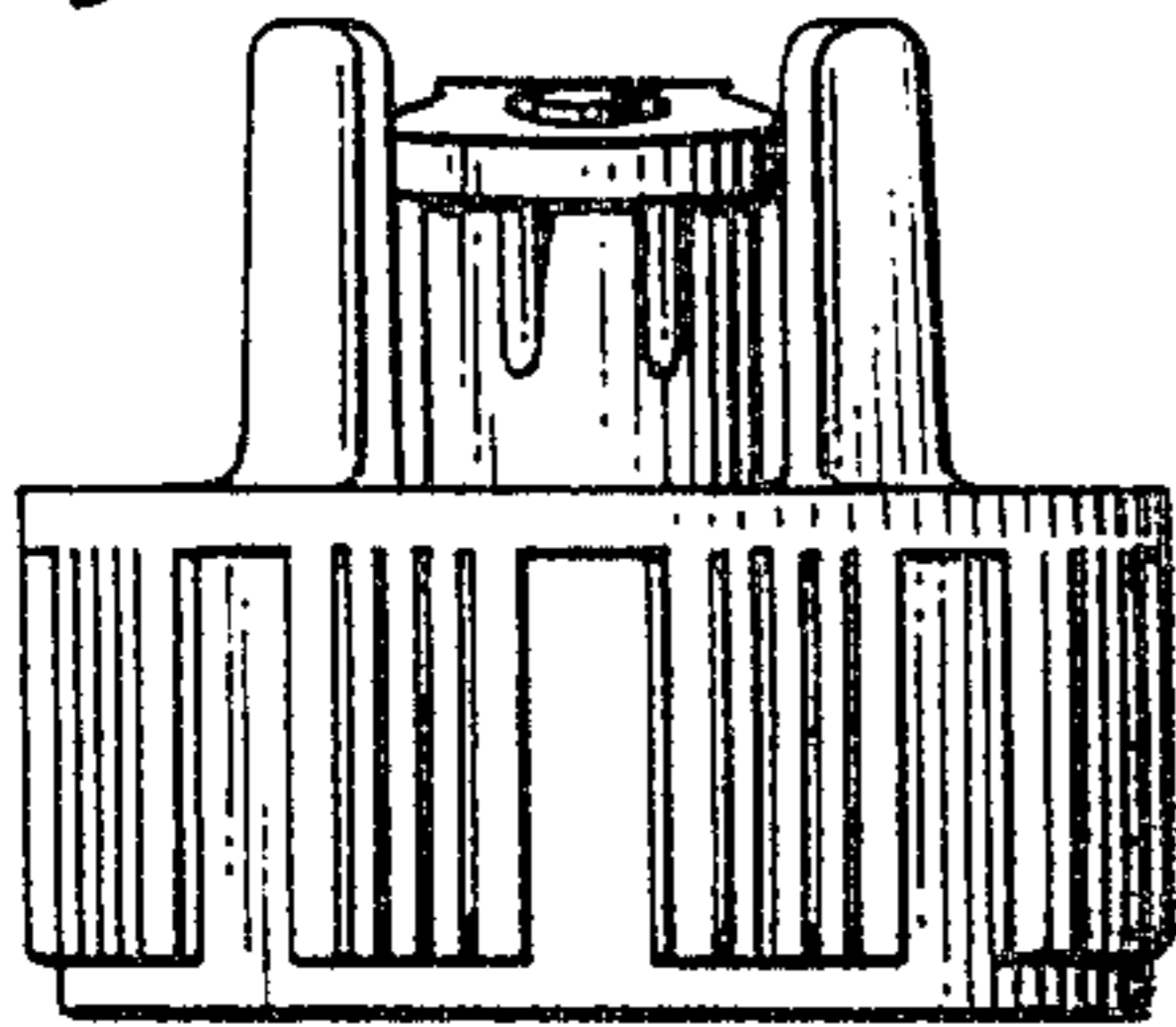


Fig. 3.

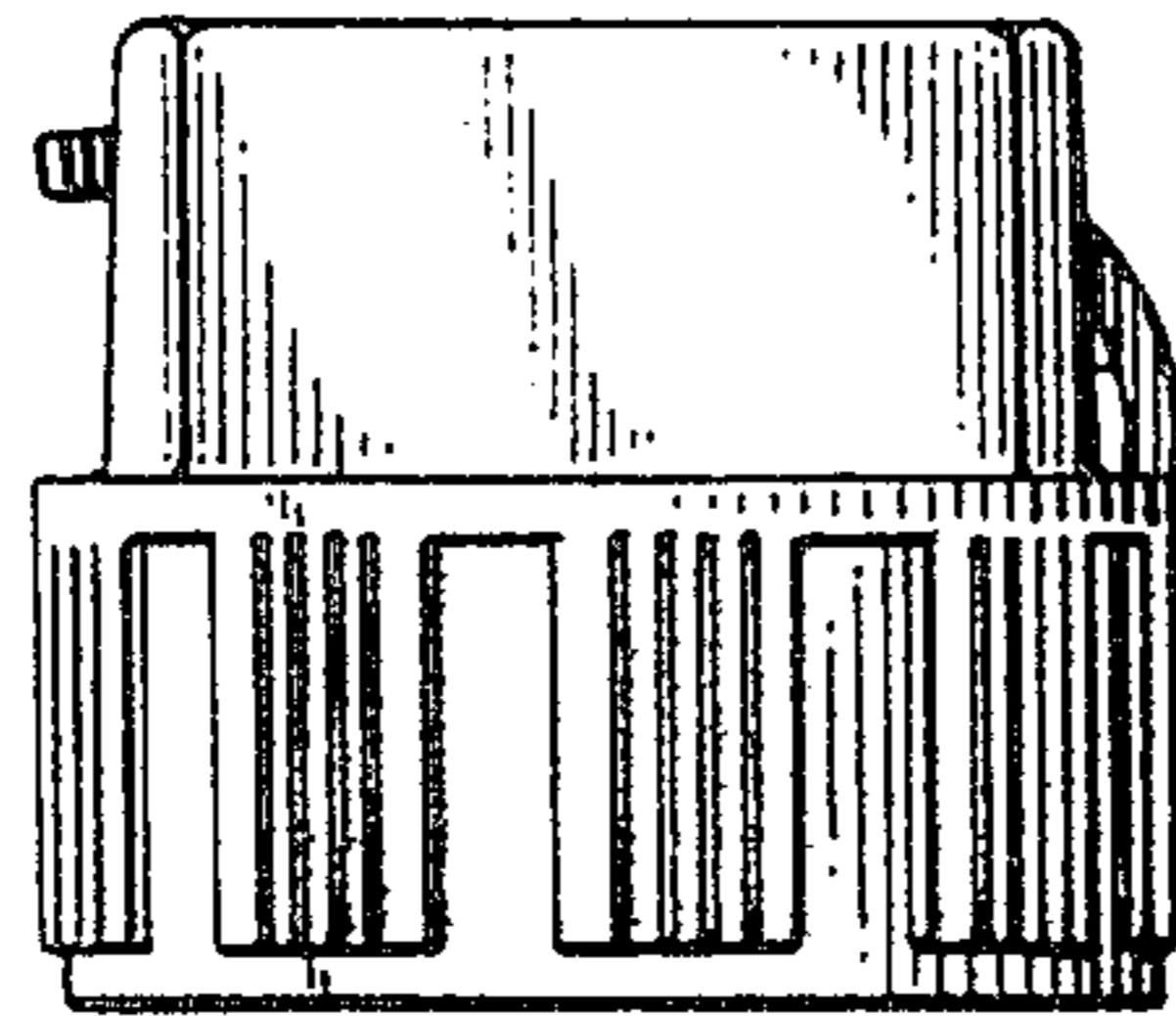


Fig. 6.

