

[54] TRAILER KING PIN LOCK

4,141,233 2/1979 Rayes 70/232

[76] Inventor: Will M. Lassiter, 1703 Deep River Rd., High Point, N.C. 27260

FOREIGN PATENT DOCUMENTS

803389 4/1951 Fed. Rep. of Germany 70/232

[**] Term: 14 Years

Primary Examiner—Wallace R. Burne

Assistant Examiner—Horace B. Fay

[21] Appl. No.: 500,576

[57] CLAIM

[22] Filed: Jun. 2, 1982

The ornamental design for a trailer king pin lock, as shown and described.

[52] U.S. Cl. D8/331

[58] Field of Search D8/331; 70/231, 232

DESCRIPTION

[56] References Cited

U.S. PATENT DOCUMENTS

D. 261,858	11/1981	Lassiter	D8/331
1,803,931	5/1931	Blackmore	70/231
3,269,159	8/1966	Young	70/232
3,415,085	12/1968	Eble, Jr.	70/232
3,600,914	8/1971	Johnson et al.	70/232
3,706,211	12/1972	Owen	70/232
3,757,550	9/1973	Kayser	70/232
3,763,675	10/1973	Hoffmeister et al.	70/232
3,832,872	9/1974	Gerlach	70/232
3,922,897	12/1975	Michelson	70/232
4,031,727	6/1977	DeGroat et al.	70/232

FIG. 1 is a perspective view of a trailer king pin lock showing my new design;

FIG. 2 is a right-side elevational view thereof;

FIG. 3 is a rear elevational view thereof;

FIG. 4 is a top plan view thereof;

FIG. 5 is a bottom plan view thereof;

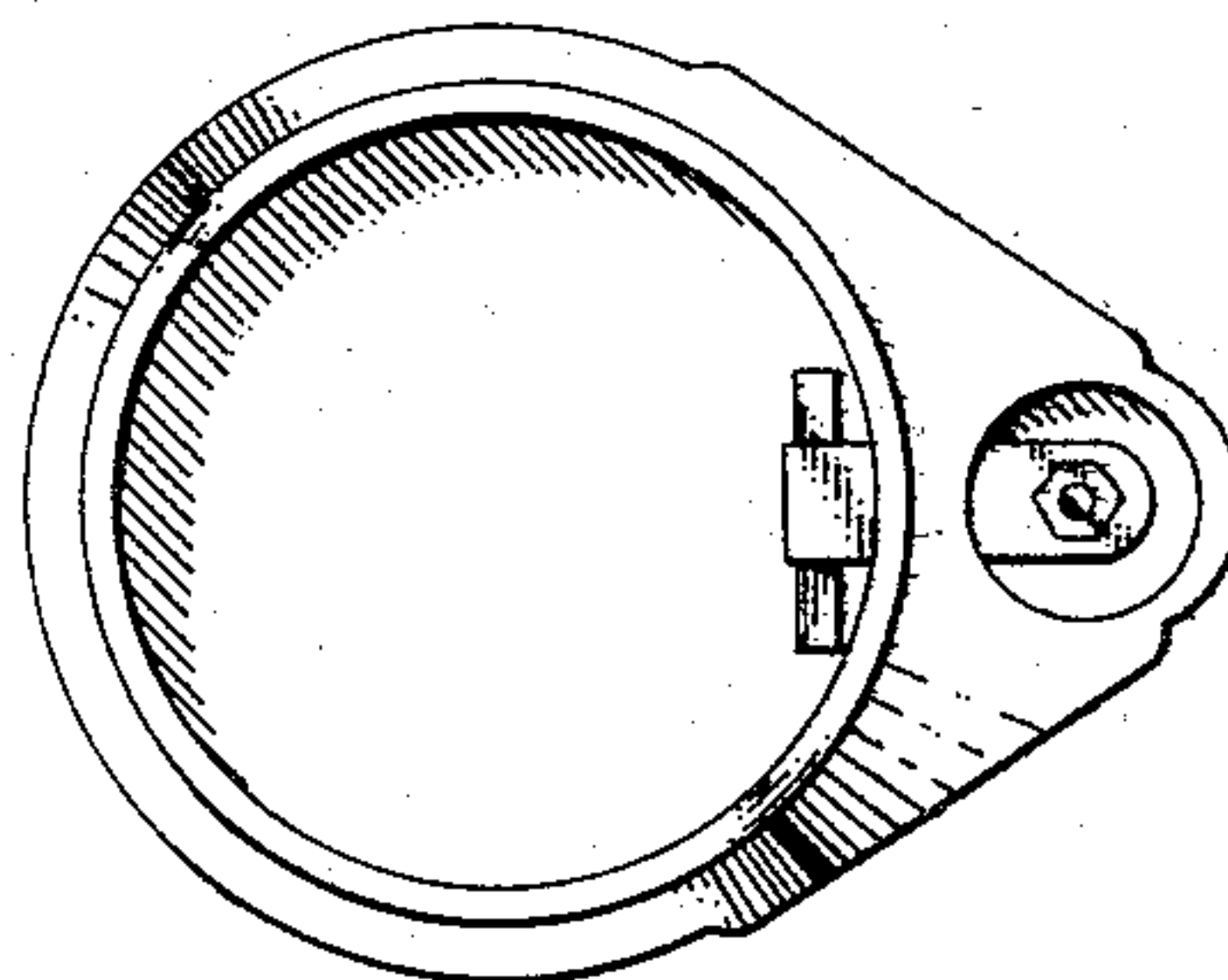
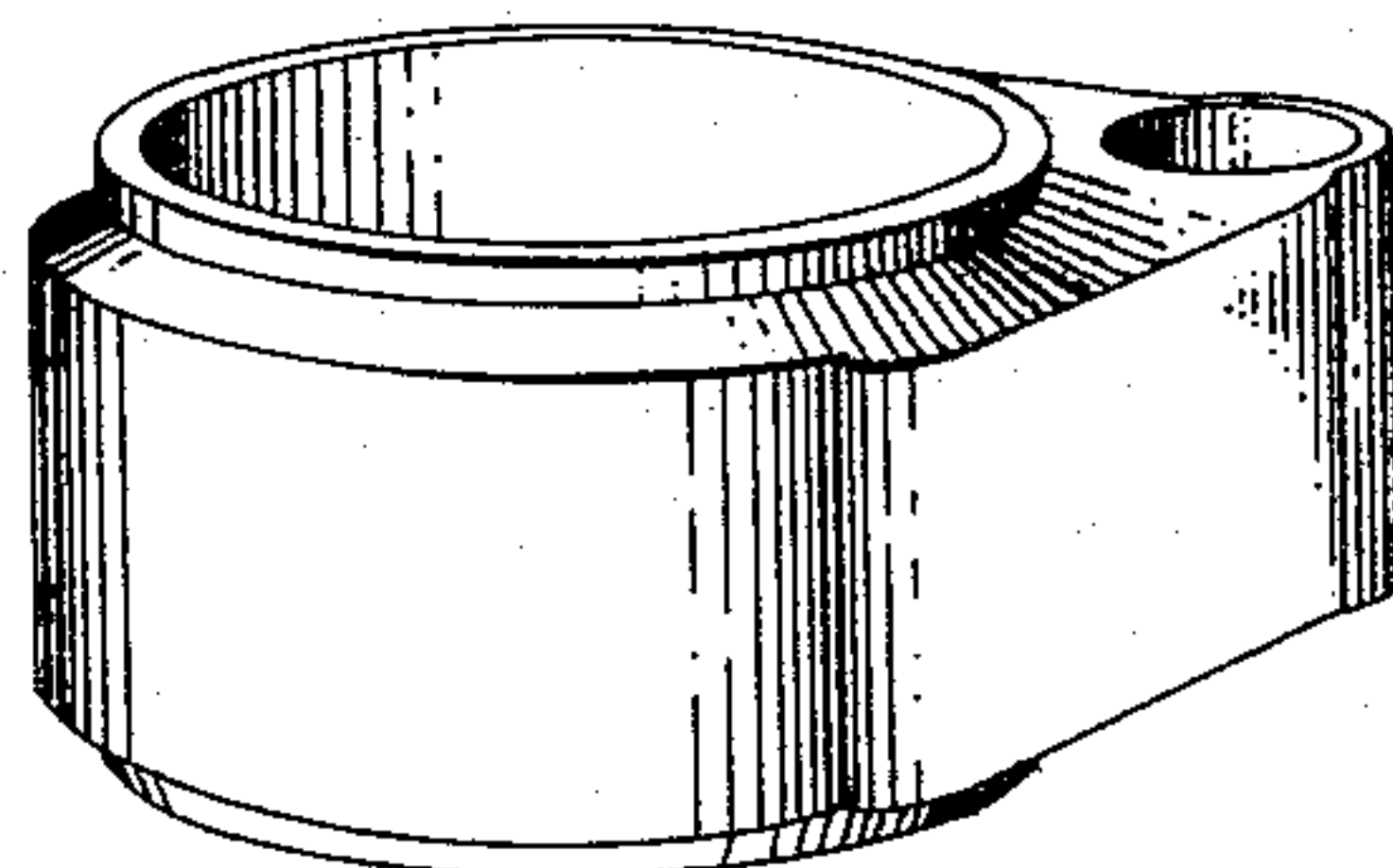
FIG. 6 is a perspective view of a second embodiment thereof;

FIG. 7 is a right-side elevational view thereof;

FIG. 8 is a rear elevational view thereof;

FIG. 9 is a top plan view; and

FIG. 10 is a bottom plan view thereof.



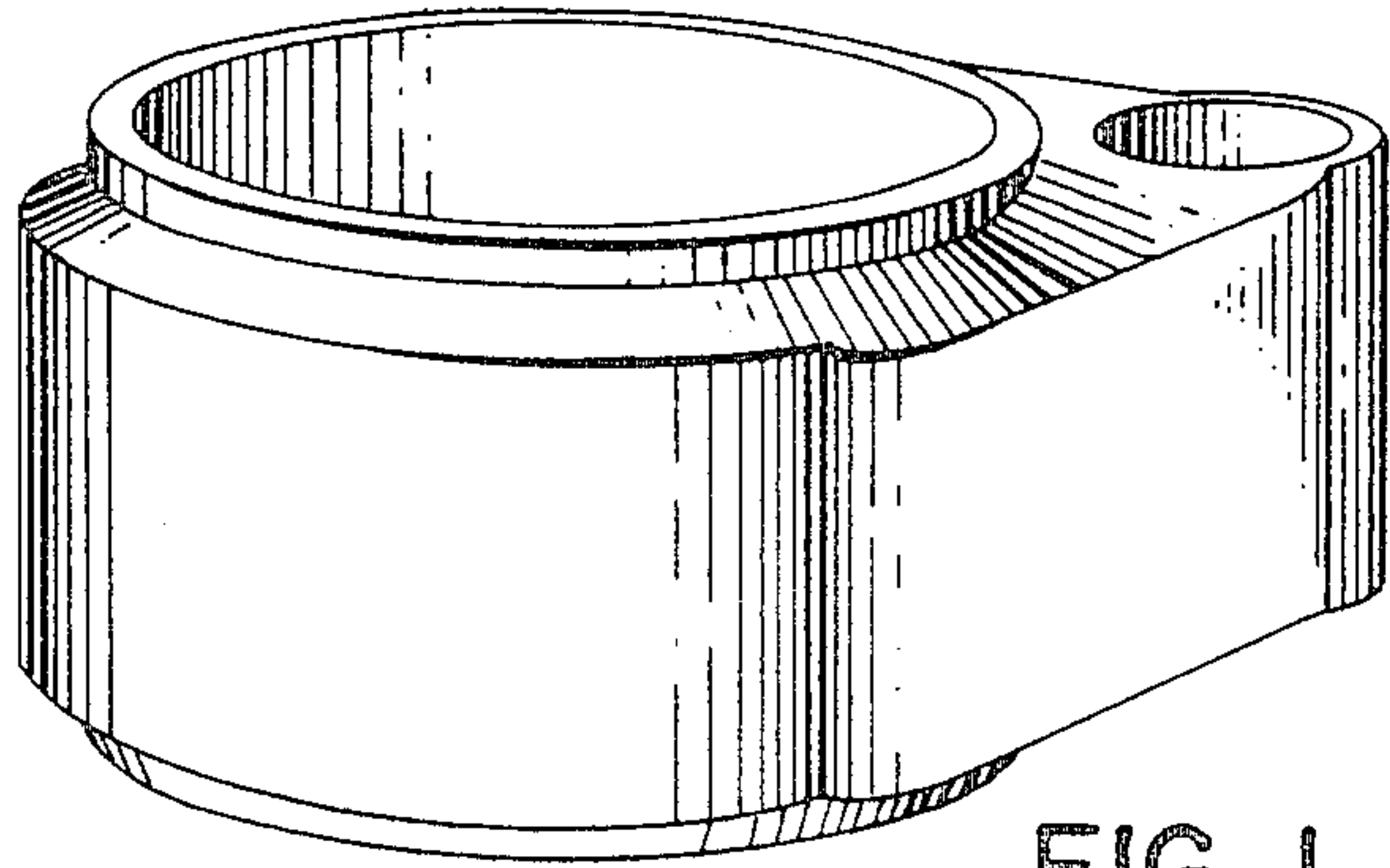


FIG. 1

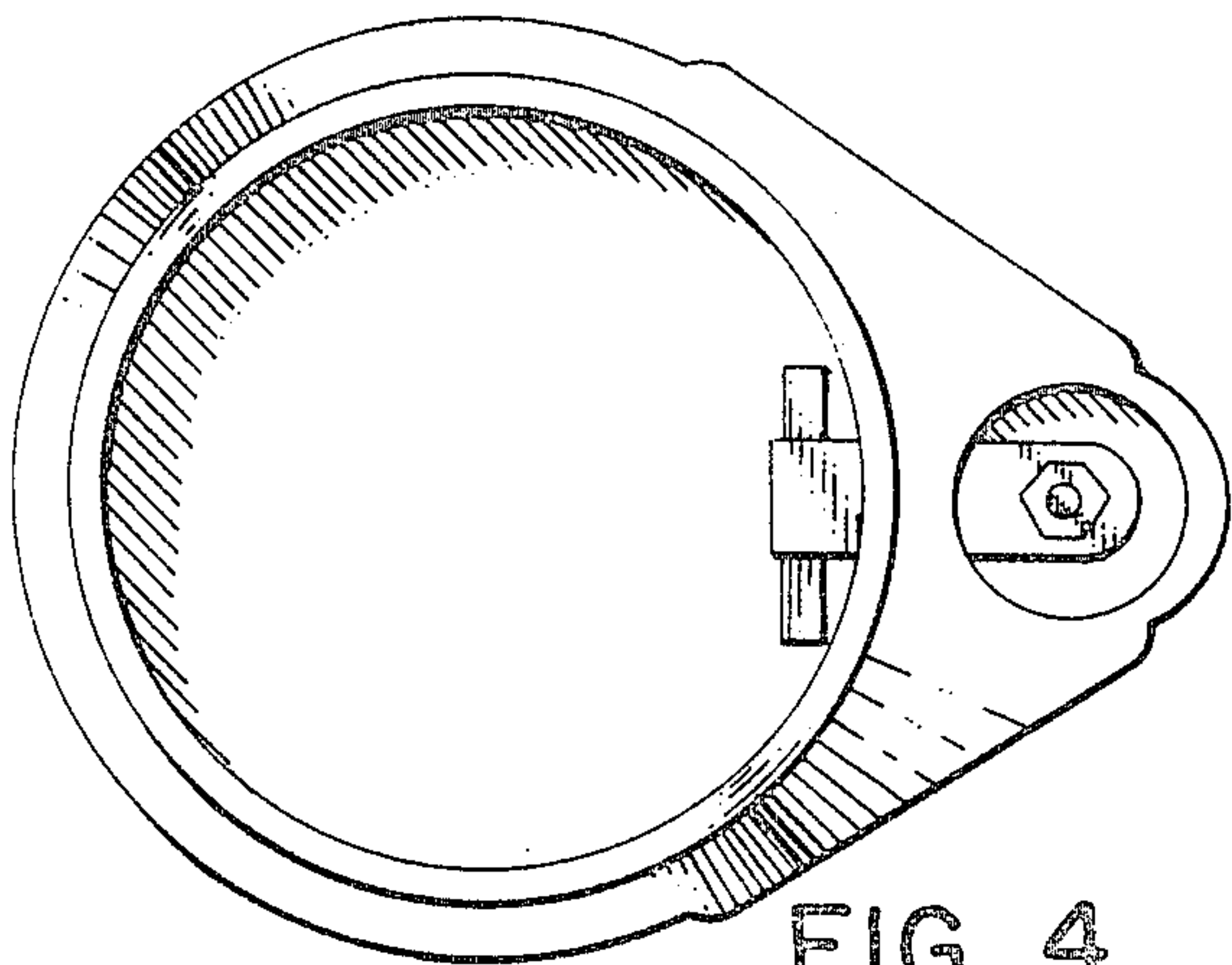


FIG. 4

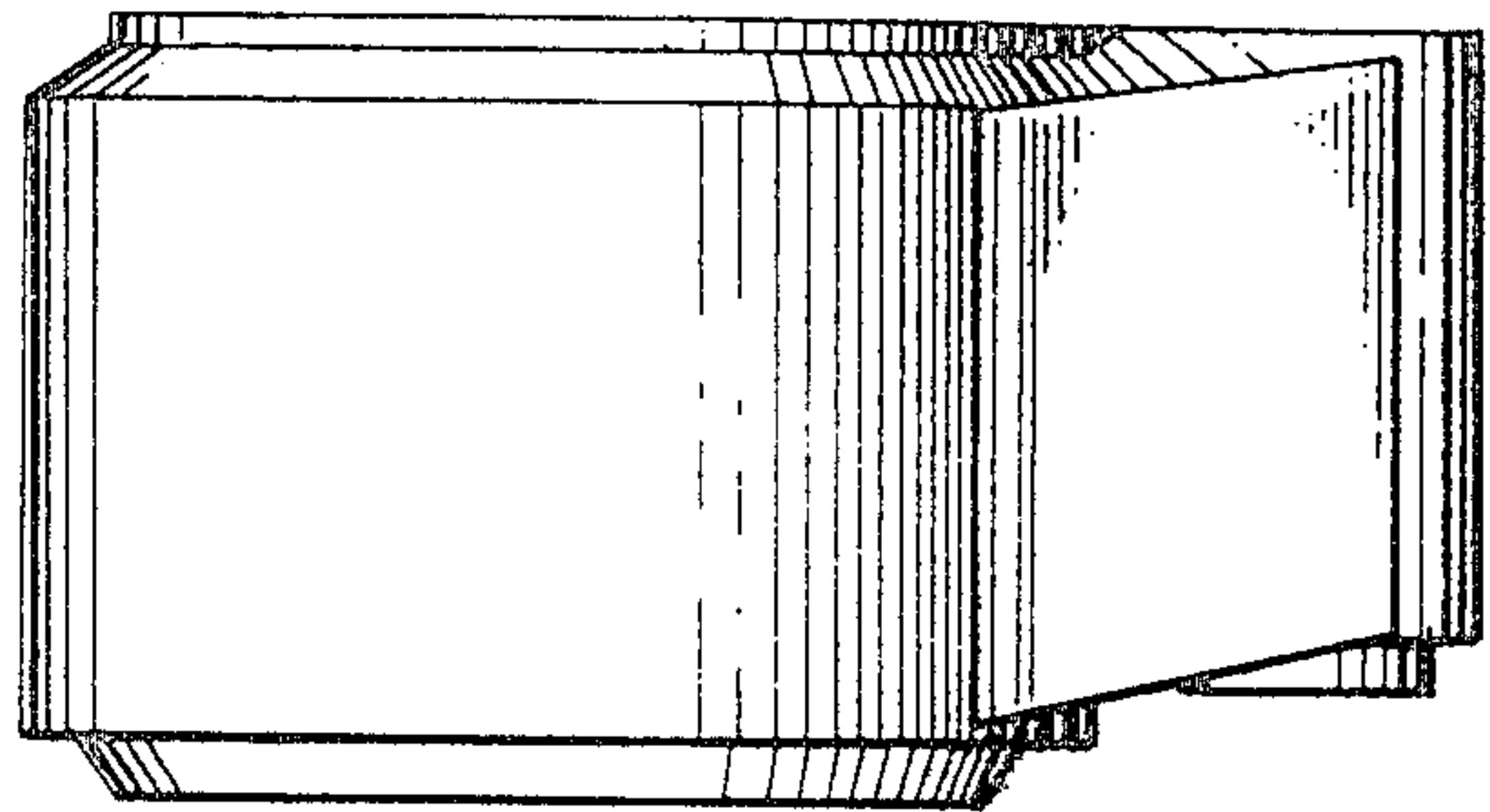


FIG. 2

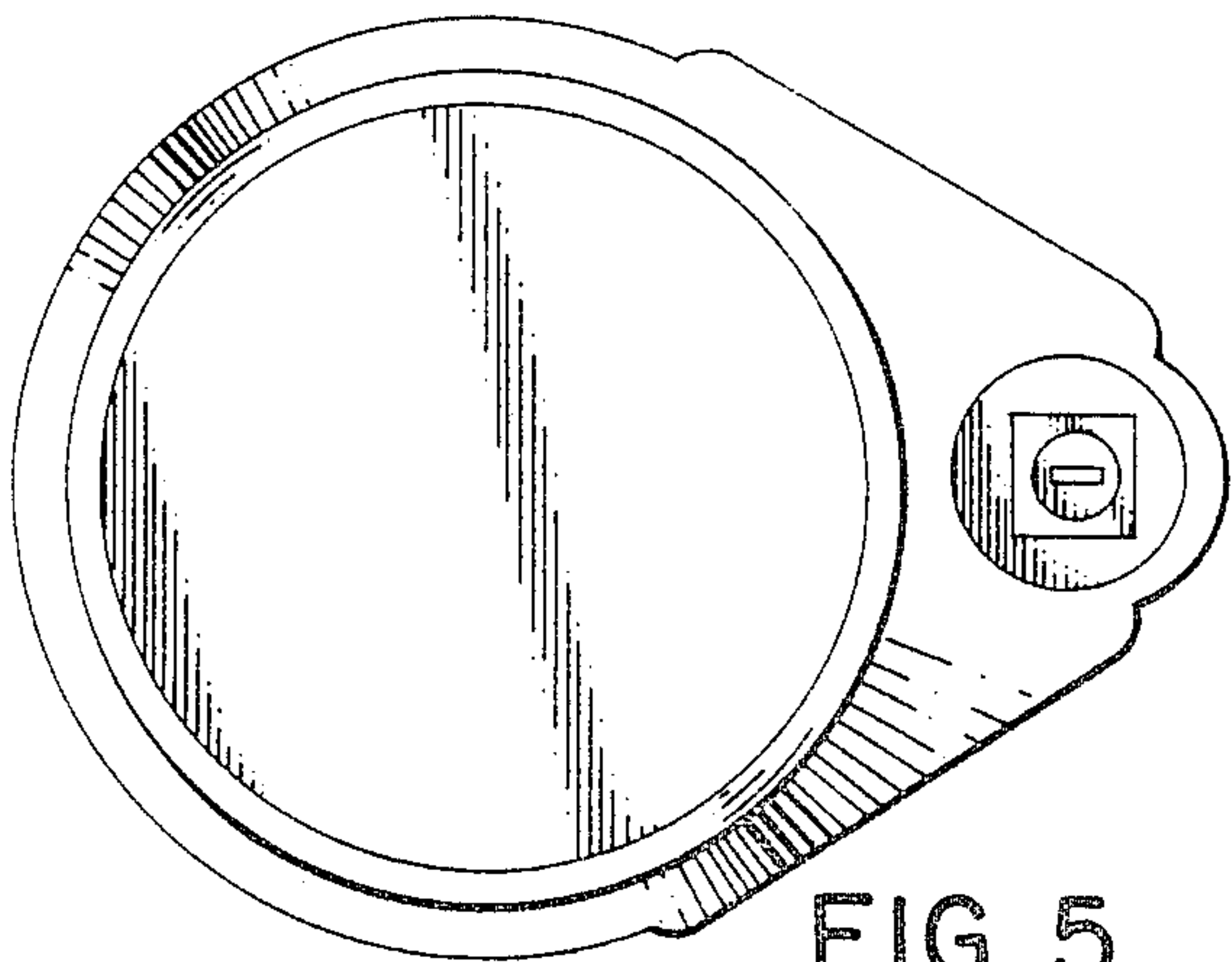


FIG. 5

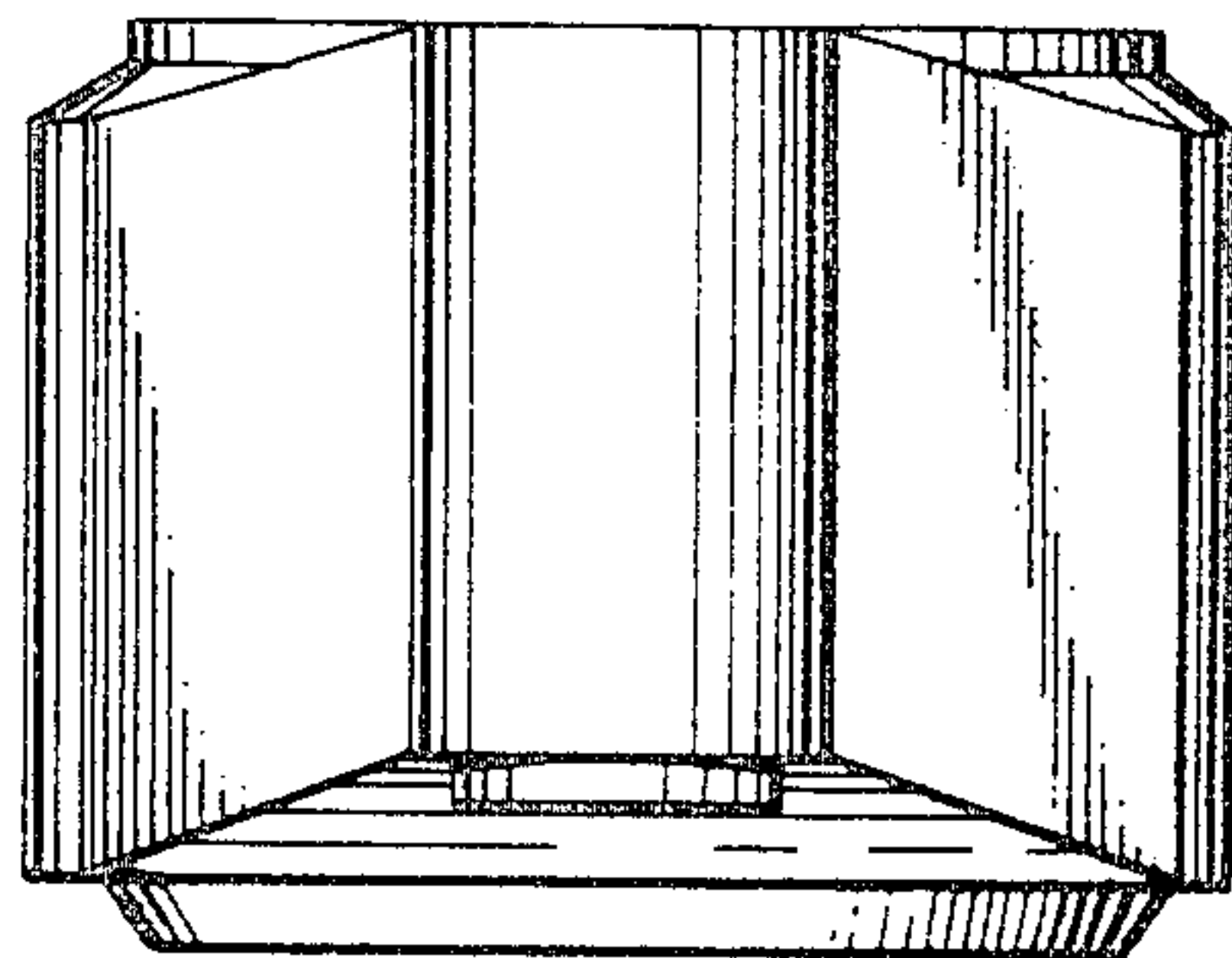


FIG. 3

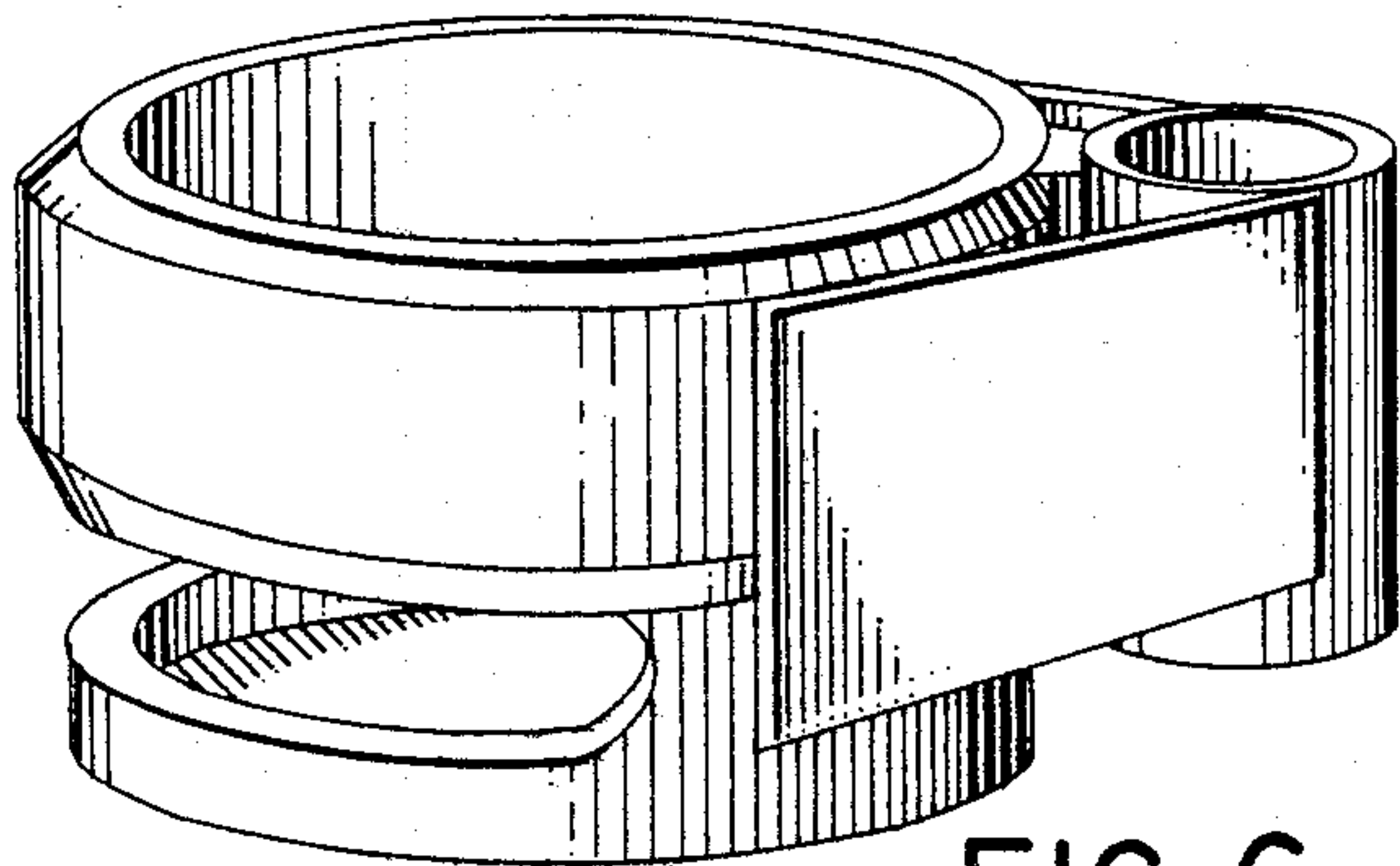


FIG. 6

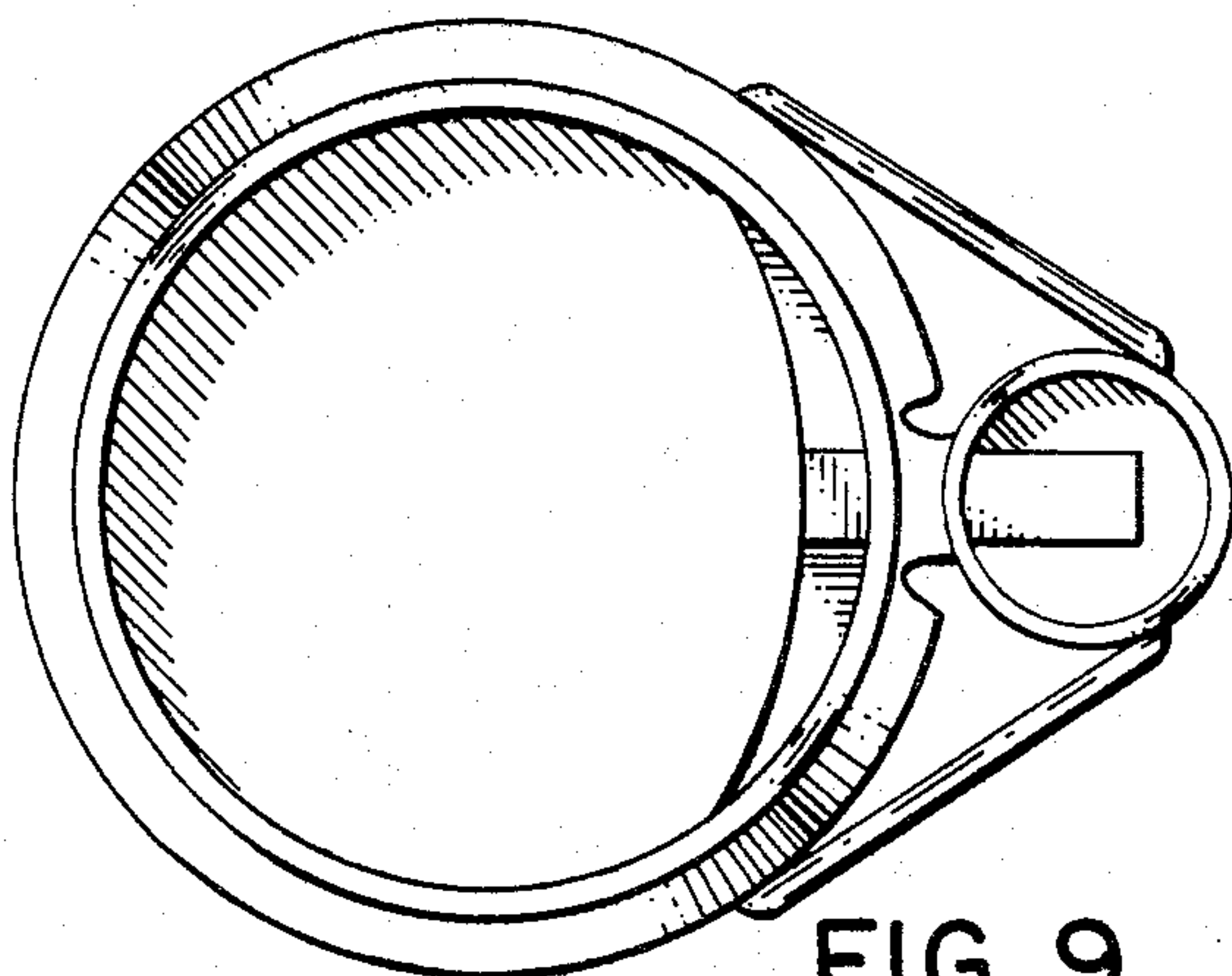


FIG. 9

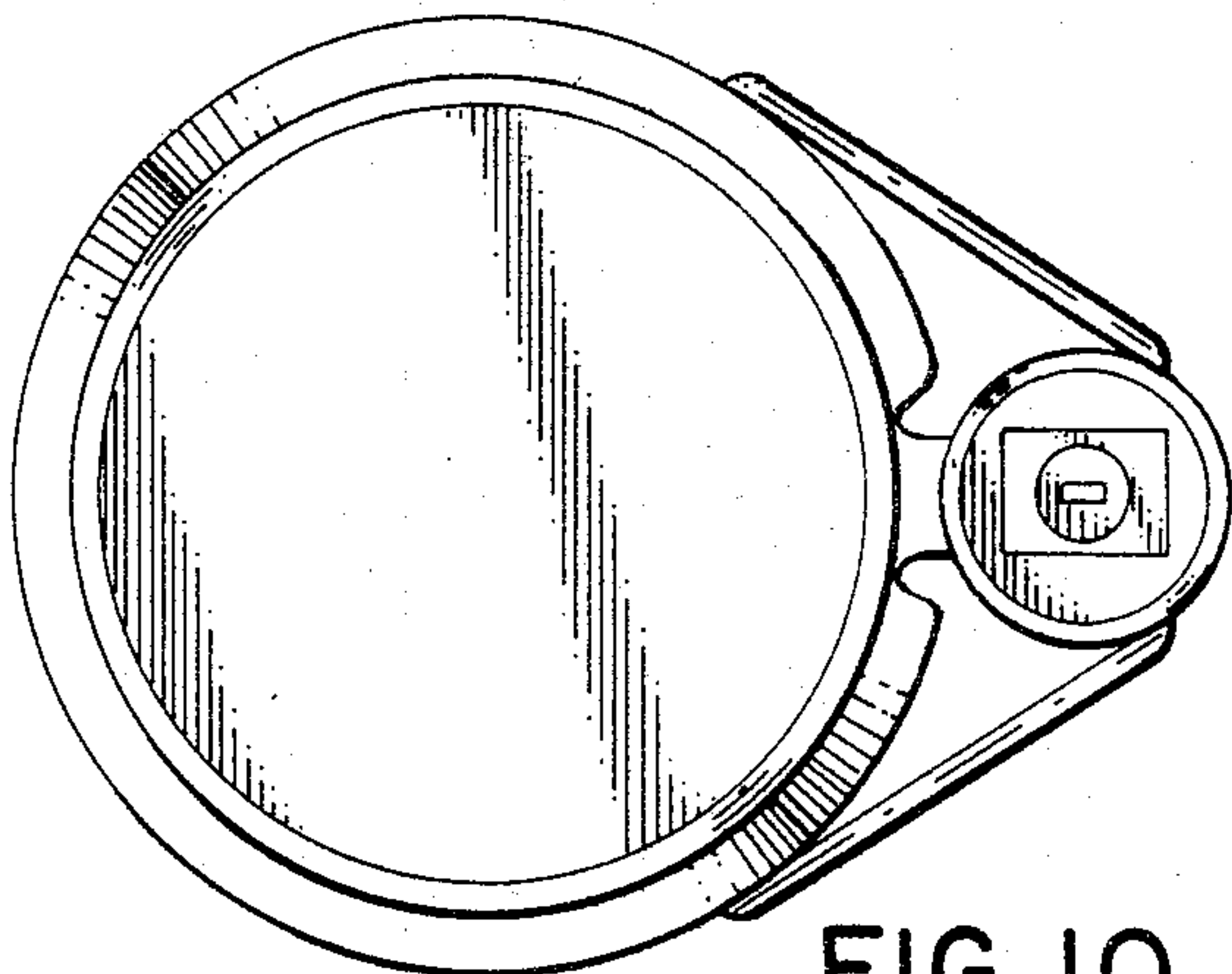


FIG. 10

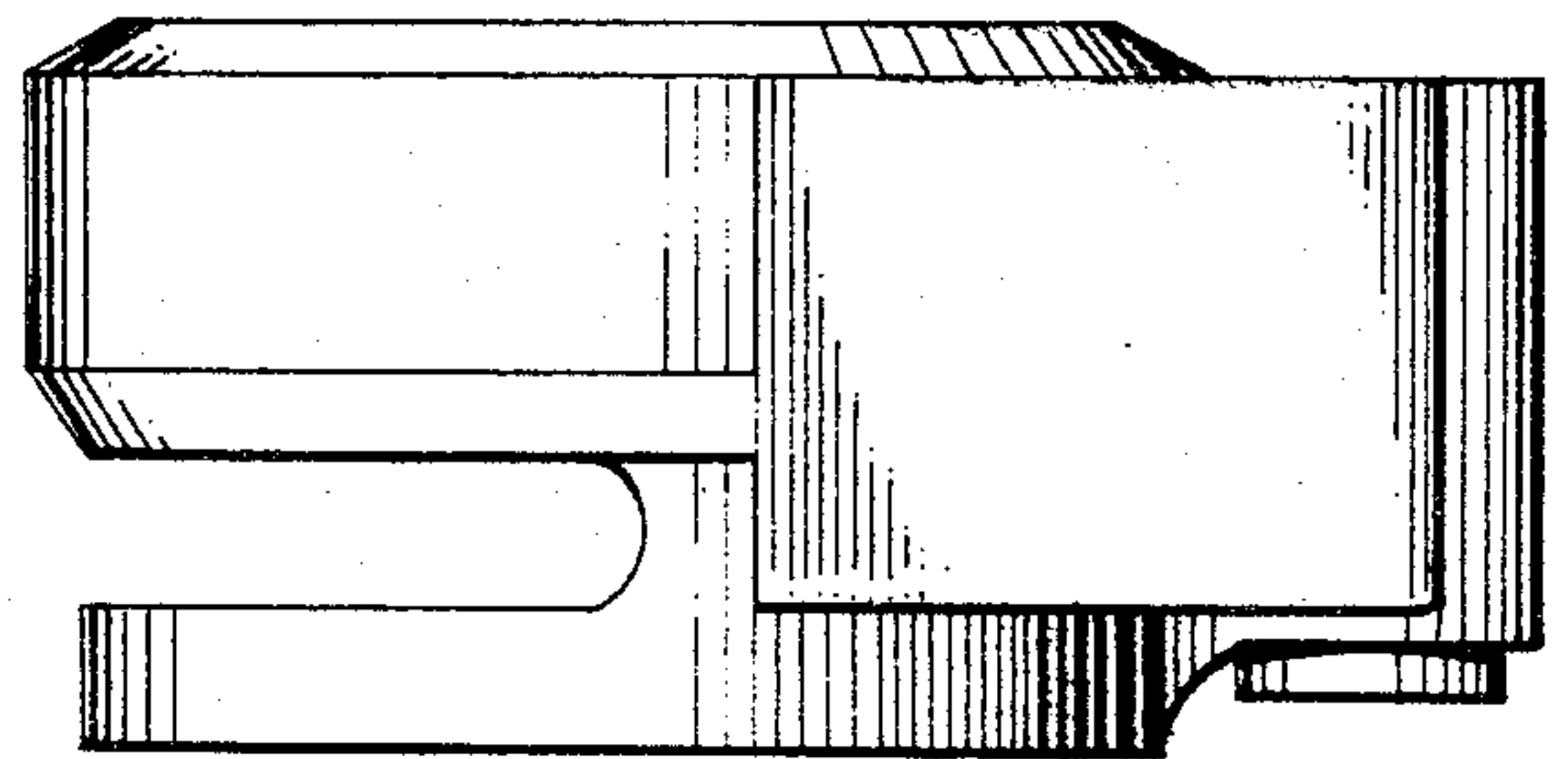


FIG. 7

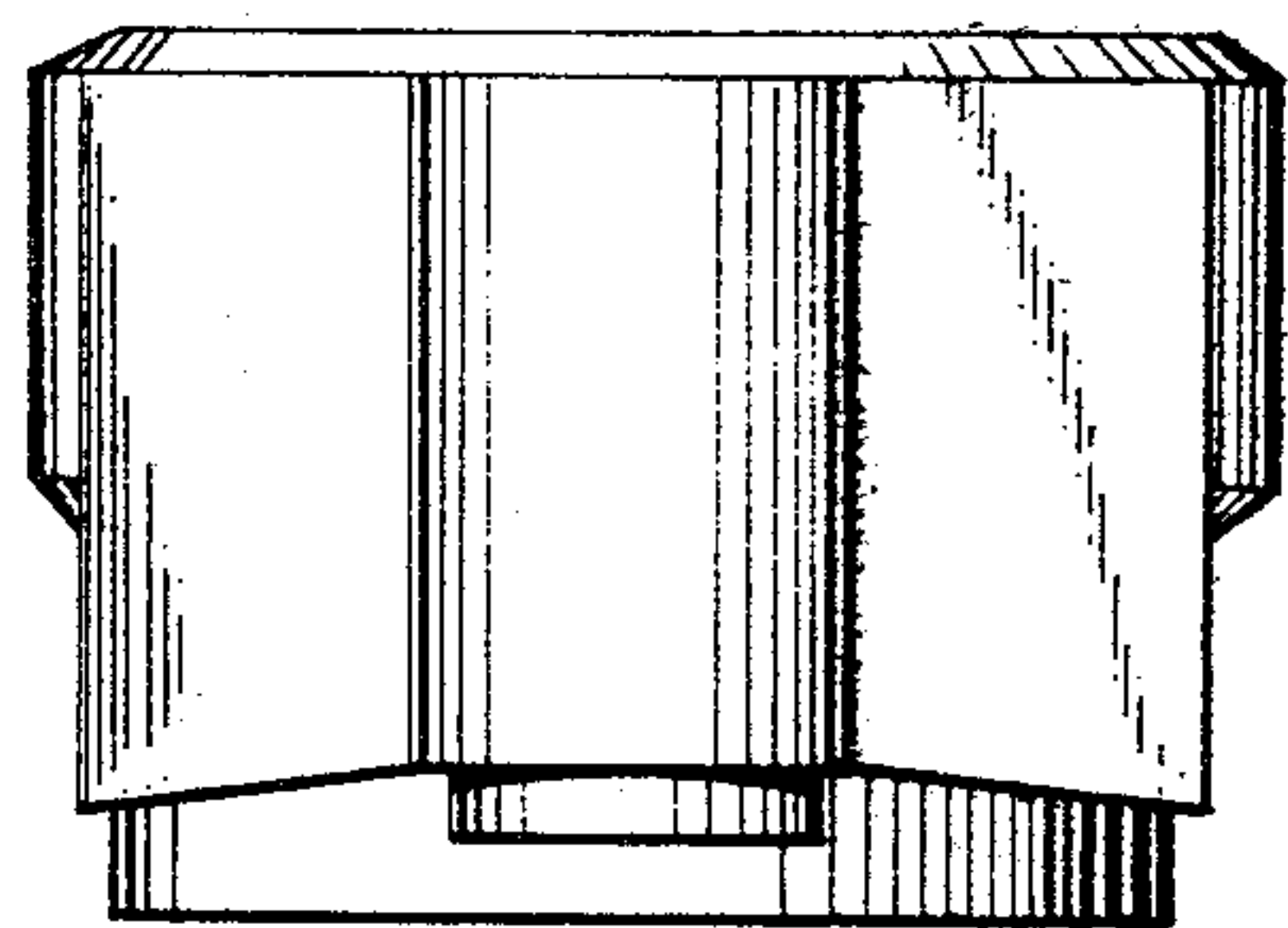


FIG. 8