

United States Patent [19]

Hamatani

[11] Patent Number: **Des. 279,350**

[45] Date of Patent: **** Jun. 25, 1985**

[54] **COMBINED ROCKER BOX HANDLE AND
ROCKER ARM POSITIONER**

[76] Inventor: **George Hamatani**, Rte. 1, Box 400,
Clarksburg, Calif. 95612

[**] Term: **14 Years**

[21] Appl. No.: **437,417**

[22] Filed: **Oct. 25, 1982**

[52] U.S. Cl. **D8/71; D8/349**

[58] Field of Search **D8/71, 72, 349, 354;
269/47; 29/256**

[56] **References Cited**

U.S. PATENT DOCUMENTS

D. 168,074 10/1952 Symington D8/354
D. 242,852 12/1976 Henry D8/354 X
531,806 1/1895 Te Paske 269/47 X

4,026,088 5/1977 Akabane D8/354 X

Primary Examiner—Susan J. Lucas
Assistant Examiner—Clare E. Heflin
Attorney, Agent, or Firm—Lothrop & West

[57] **CLAIM**

The ornamental design for a combined rocker box handle and rocker arm positioner, as shown and described.

DESCRIPTION

FIG. 1 is a perspective view of a combined rocker box handle and rocker arm positioner, showing my new design;

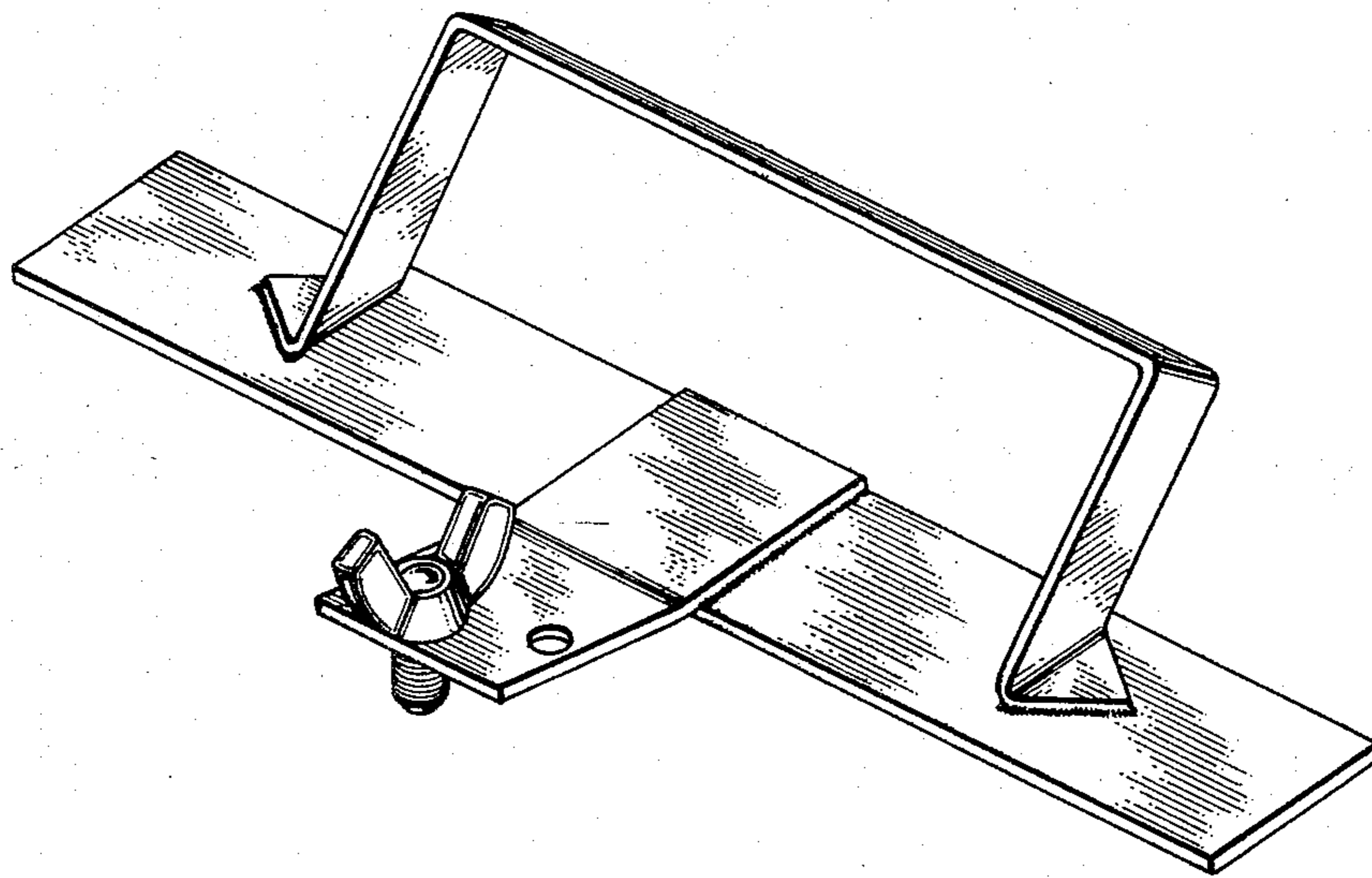
FIG. 2 is a top plan view thereof;

FIG. 3 is a front elevational view thereof;

FIG. 4 is a bottom plan view thereof;

FIG. 5 is a rear elevational view thereof; and,

FIG. 6 is an elevational view of one end, the opposite end being a mirror image thereof.



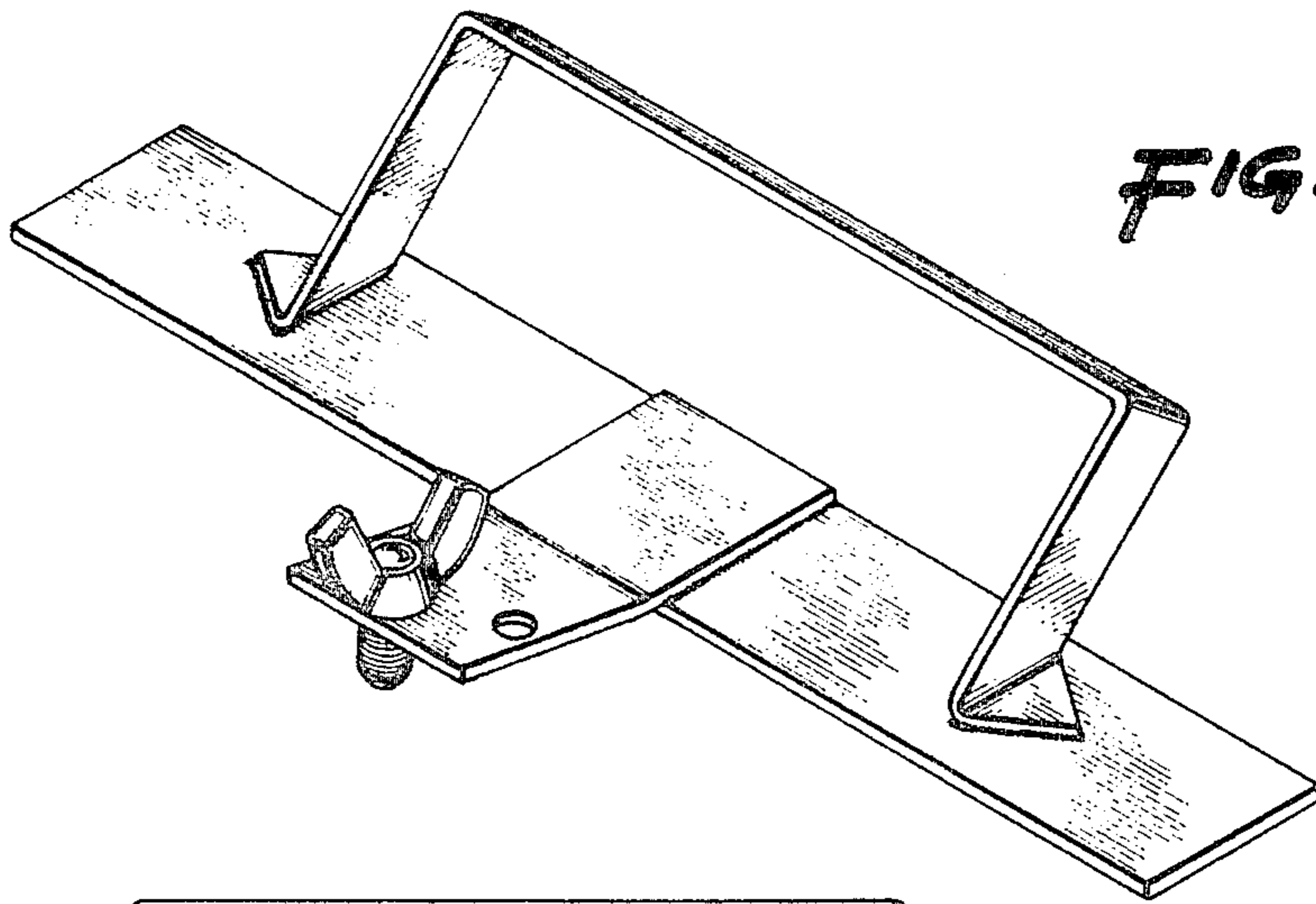


FIG-1

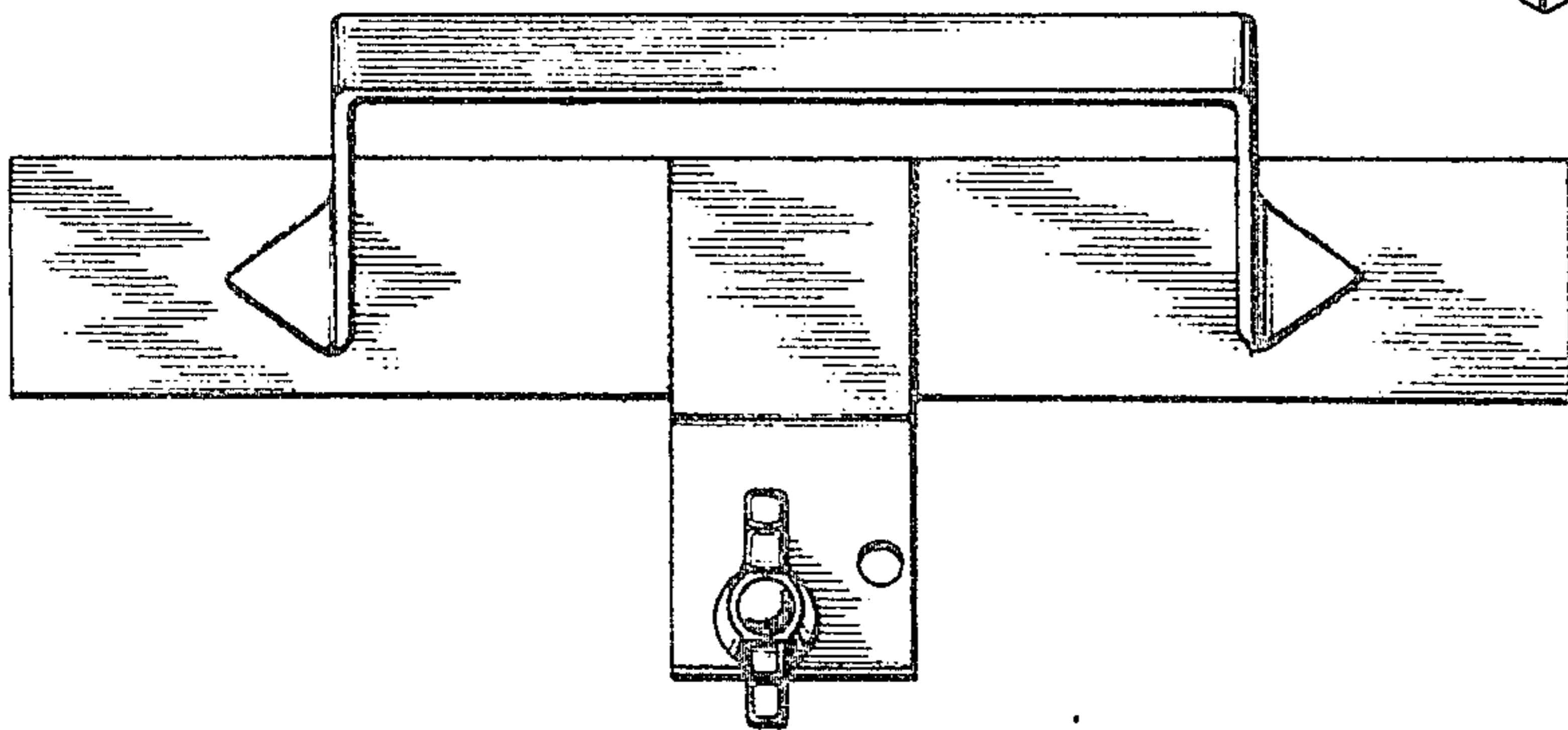


FIG-2

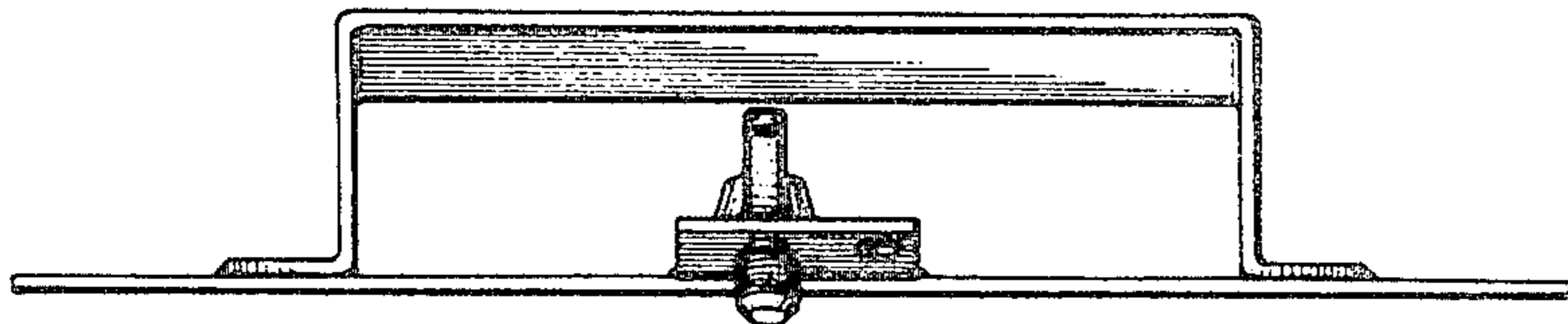


FIG-3

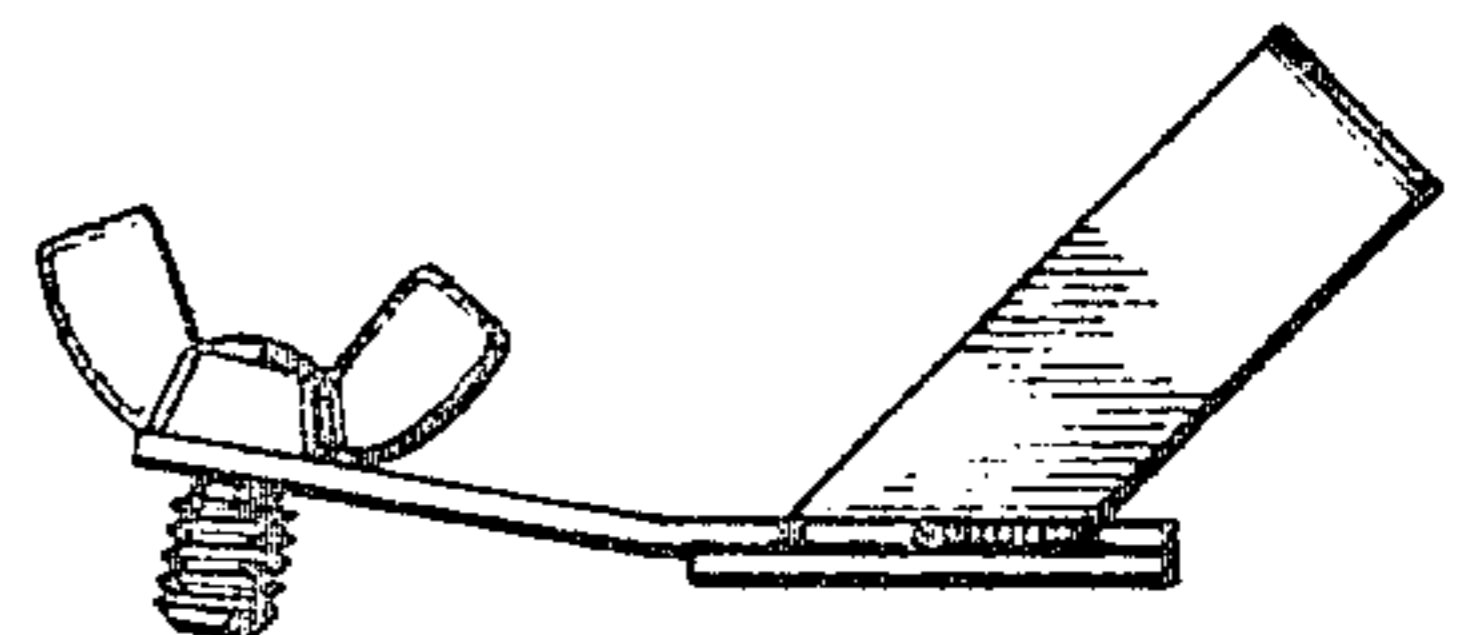


FIG-6

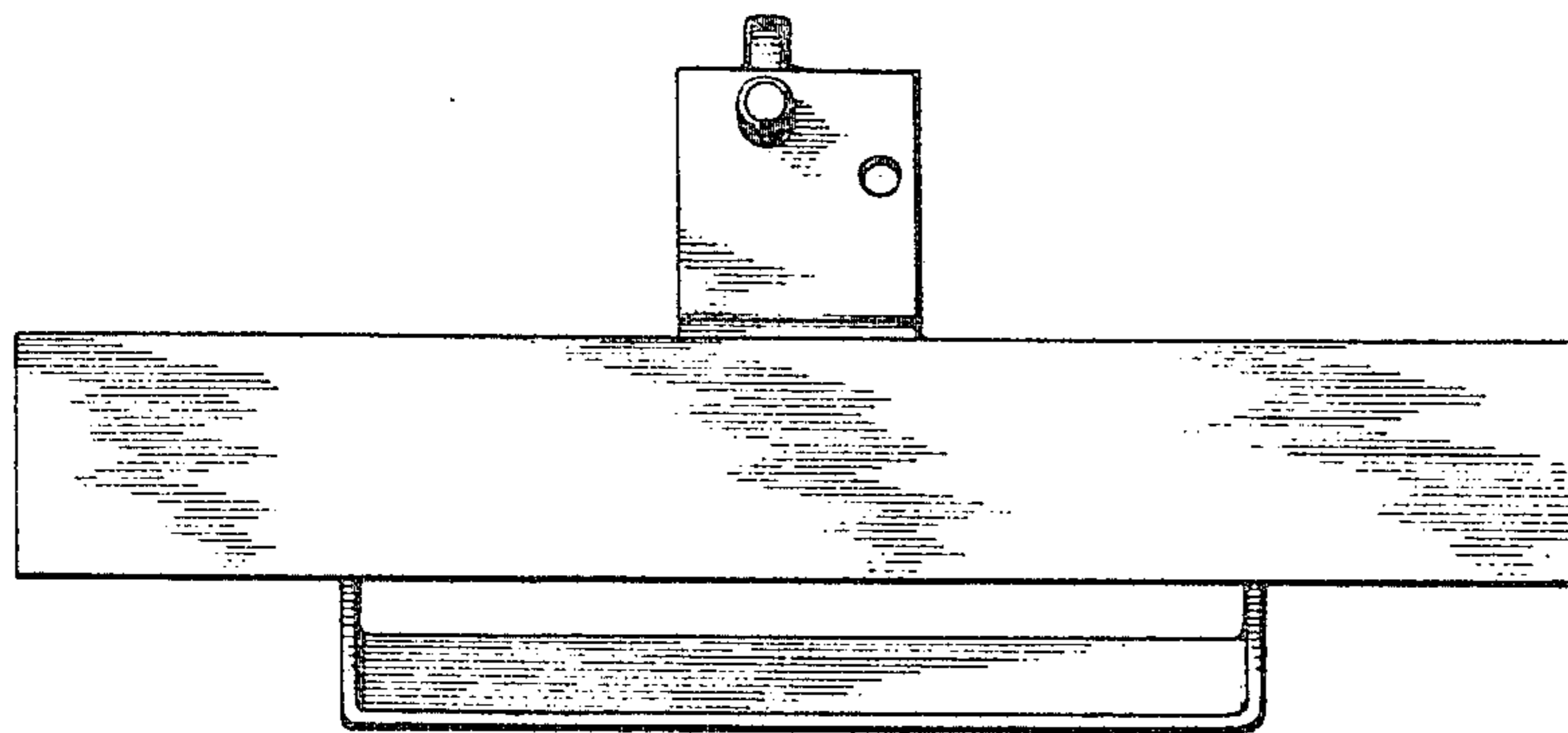


FIG-4

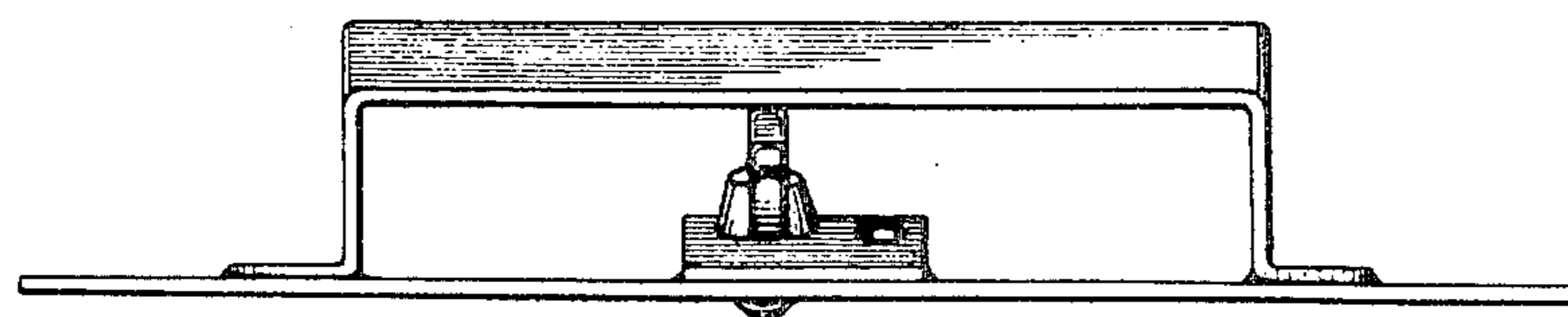


FIG-5