

[54] **PLATE OR SIMILAR ARTICLE**

[76] **Inventor:** Philippe J. Durand, Les Daneaux,  
 Chemin de la Garenne, 62510  
 Arques, France

[\*\*] **Term:** 14 Years

[21] **Appl. No.:** 411,979

[22] **Filed:** Aug. 26, 1982

[30] **Foreign Application Priority Data**

May 24, 1982 [XH] Hague ..... Hague

[52] **U.S. Cl.** ..... D7/28

[58] **Field of Search** ..... D7/28, 22-26,  
 D7/29-36

[56] **References Cited**

**U.S. PATENT DOCUMENTS**

D. 22,203	2/1893	Singelton, Jr. ....	D7/32
D. 27,457	8/1897	Bergen .....	D7/28
D. 116,789	9/1939	Barbiers .....	D7/28
D. 124,859	1/1941	Kogan et al. ....	D7/28
D. 212,814	11/1968	Benes .....	D7/28

**OTHER PUBLICATIONS**

*American Glass*, NK 5112 . M26 C2 by George & Helen  
 McKearin, ©1941, Plate Diamond Diapering, #124,  
 Item 5, middle left oval dish.

*Primary Examiner*—Wimifred E. Herrmann  
*Attorney, Agent, or Firm*—Kimmel, Crowell & Weaver

[57] **CLAIM**

The ornamental design for a plate or similar article,  
 substantially as shown and described.

**DESCRIPTION**

FIG. 1 is a bottom plan view of a plate or similar article,  
 with some of the facets having been omitted for conve-  
 nience of illustration, showing my new design;  
 FIG. 2 is a side elevational view thereof, the reverse  
 side being a mirror image thereof;  
 FIG. 3 is a top plan view thereof, the facets as seen  
 through the side and bottom having been left out for  
 convenience of illustration; and  
 FIG. 4 is a sectional view thereof taken along the lines  
 4—4 of FIG. 3, showing the inner surface, the facets as  
 seen through the side having been left out for clarity of  
 illustration.

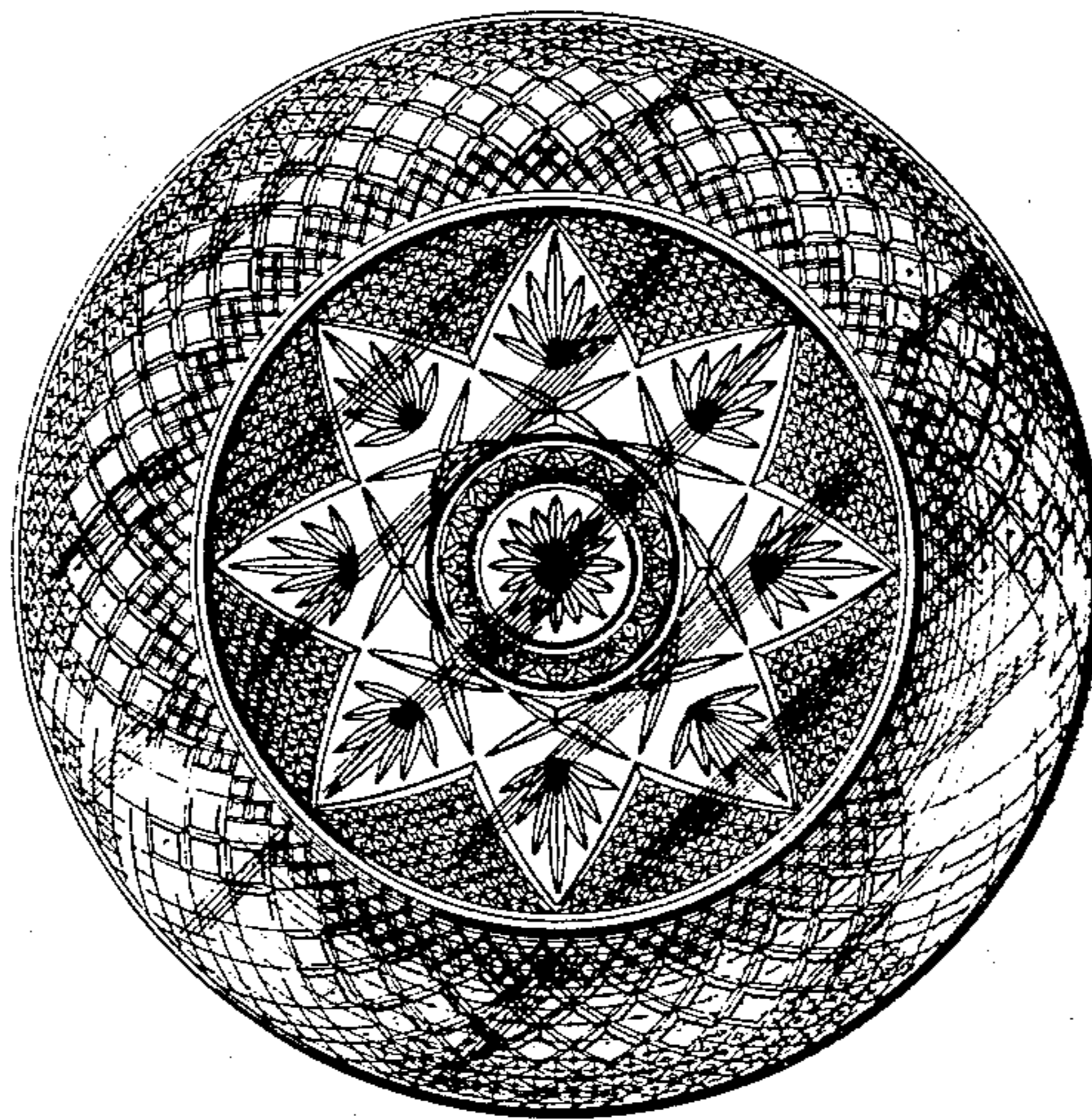
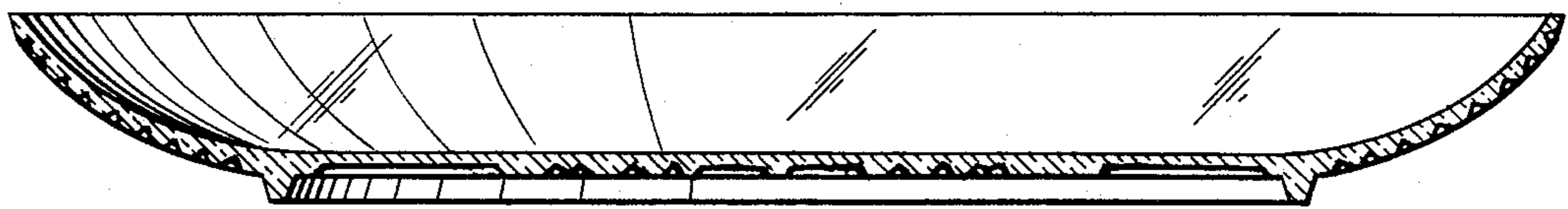


FIG. 1

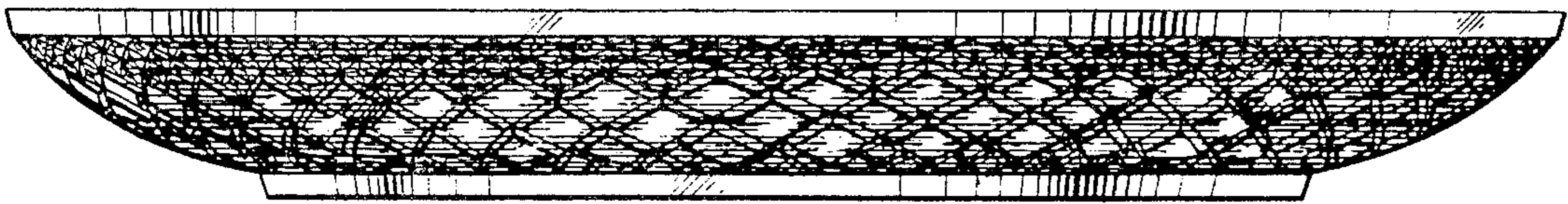
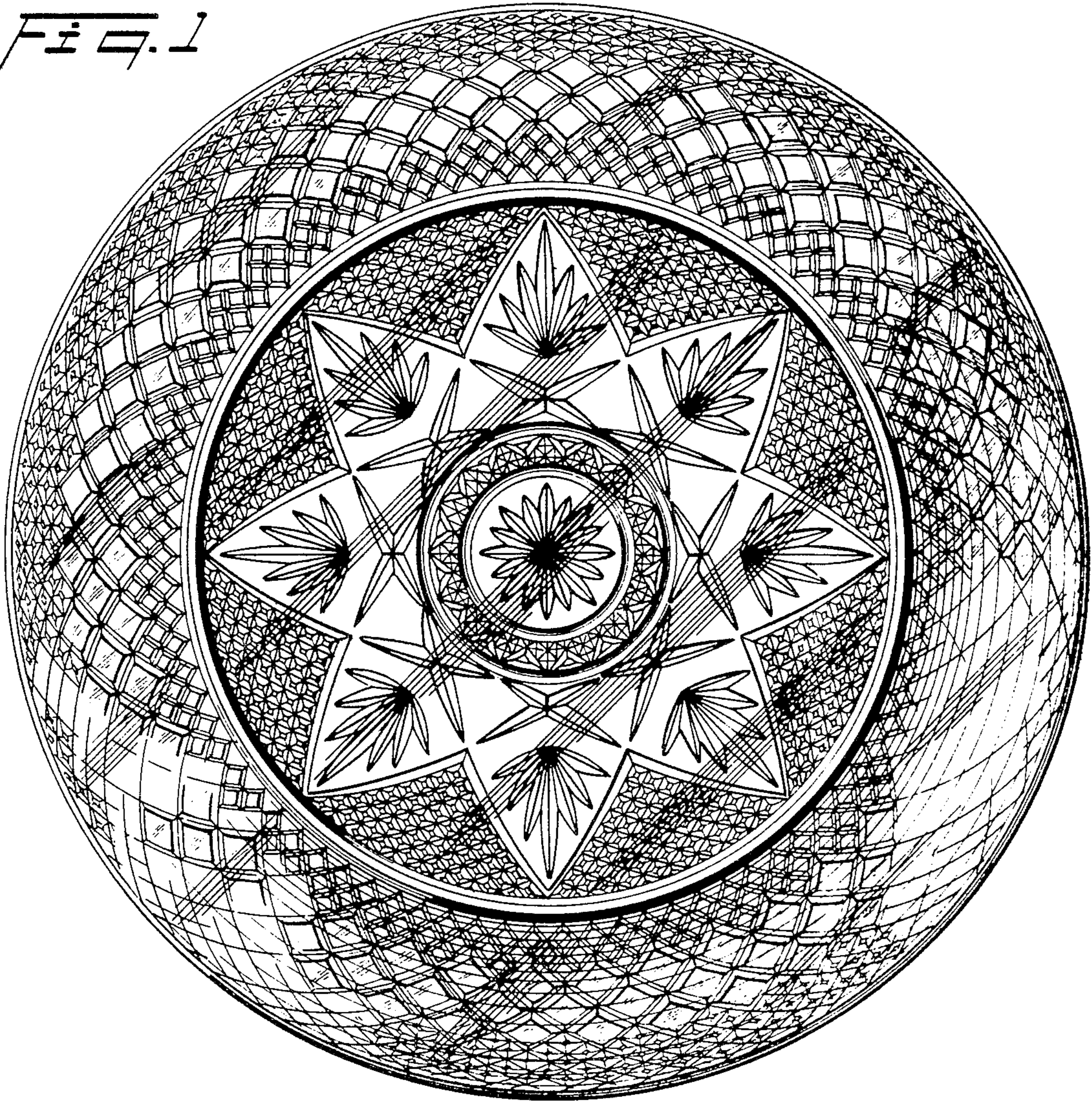


FIG. 2

FIG. 3

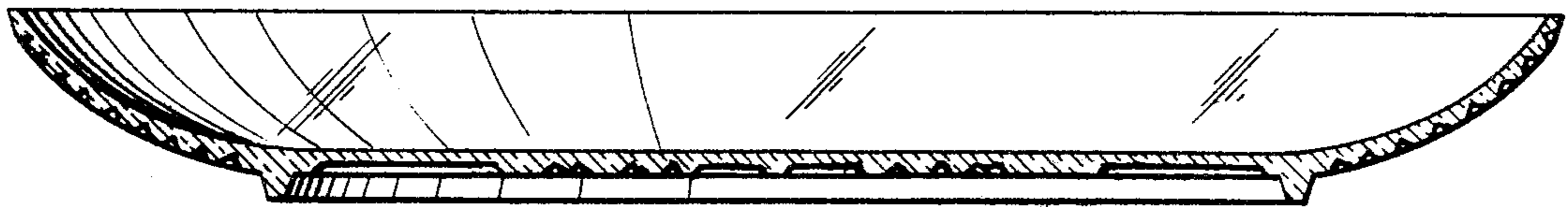
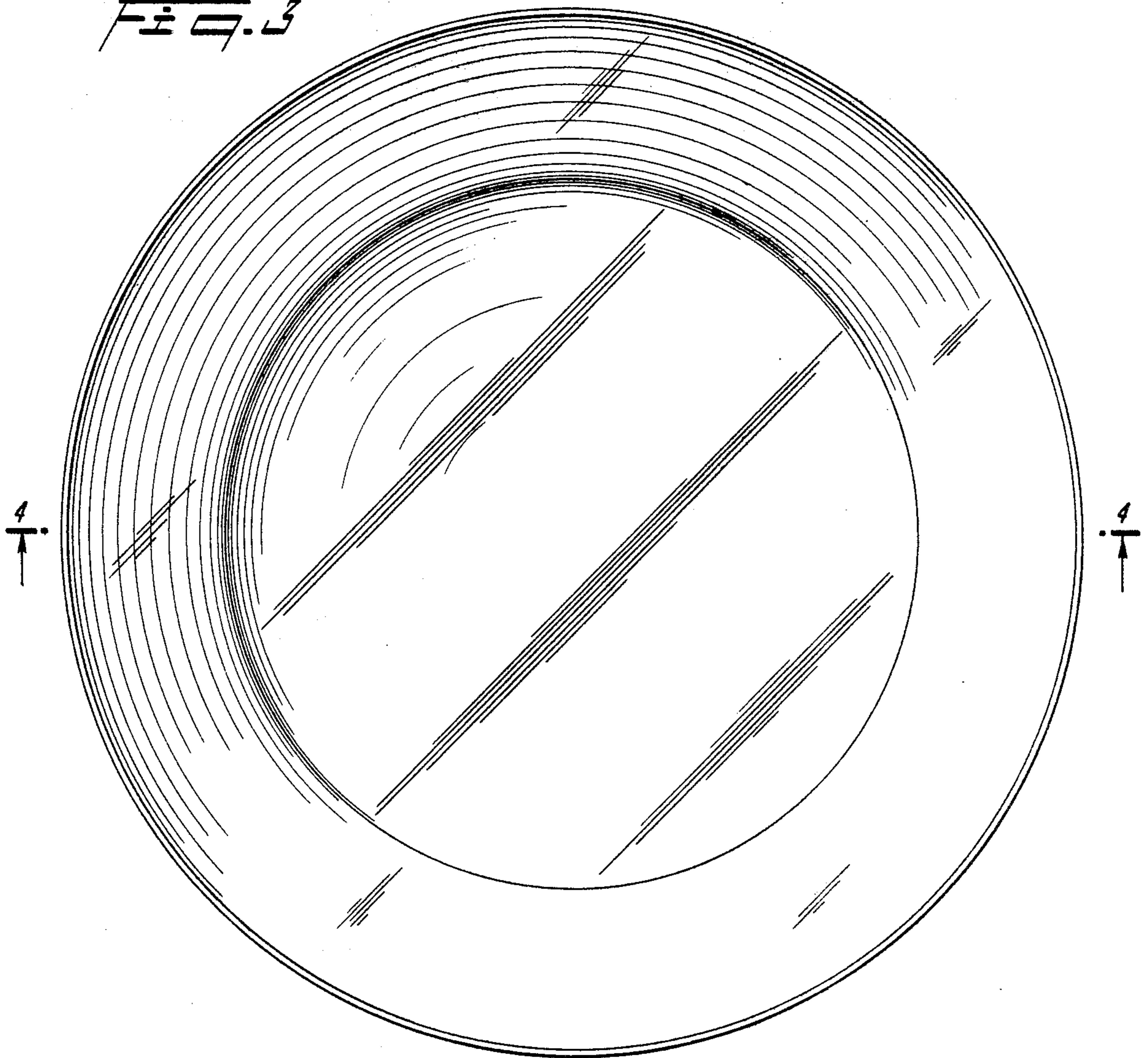


FIG. 4