

[54] BATHTUB PILLOW

[75] Inventor: Herbert V. Kohler, Jr., Kohler, Wis.

[73] Assignee: Kohler Co., Kohler, Wis.

[\*\*] Term: 14 Years

[21] Appl. No.: 458,631

[22] Filed: Jan. 17, 1983

[52] U.S. CL. .... D6/596; D23/69

[58] Field of Search ..... D6/595, 596, 597, 601,  
D6/604, 605, 606, 524, 525; 4/571, 575, 519,  
523, 515; D23/69

[56] References Cited

U.S. PATENT DOCUMENTS

D. 259,274	5/1981	Humes	4/575 X
1,806,103	5/1931	Tyler	4/575
2,461,880	2/1949	Curran	4/575
2,592,160	4/1952	Kunes	4/575
4,327,452	5/1982	Swatzell	4/515 X
4,385,408	5/1983	Rhodes	4/575 X

OTHER PUBLICATIONS

Bloomington's "Home Close-Up Catalog", center insert, F. Inflatable Bath Pillow.

Primary Examiner—Bernard Ansher  
Assistant Examiner—Theodore M. Shooman  
Attorney, Agent, or Firm—Quarles & Brady

[57] CLAIM

The ornamental design for a bathtub pillow, as shown and described.

DESCRIPTION

FIG. 1 is a perspective view of a bathtub pillow showing my new design, which has been mounted on a bathtub;

FIG. 2 is a front elevational view thereof;

FIG. 3 is a rear elevational view thereof;

FIG. 4 is a top plan view thereof;

FIG. 5 is a bottom plan view thereof;

FIG. 6 is a right side elevational view thereof, the left side being the mirror image thereof; and

FIG. 7 is a sectional view thereof taken on line 7—7 in FIG. 2 in the direction of the arrows.

The fragmentary broken line representation of a bathtub in FIG. 1 is for purposes of illustration only.

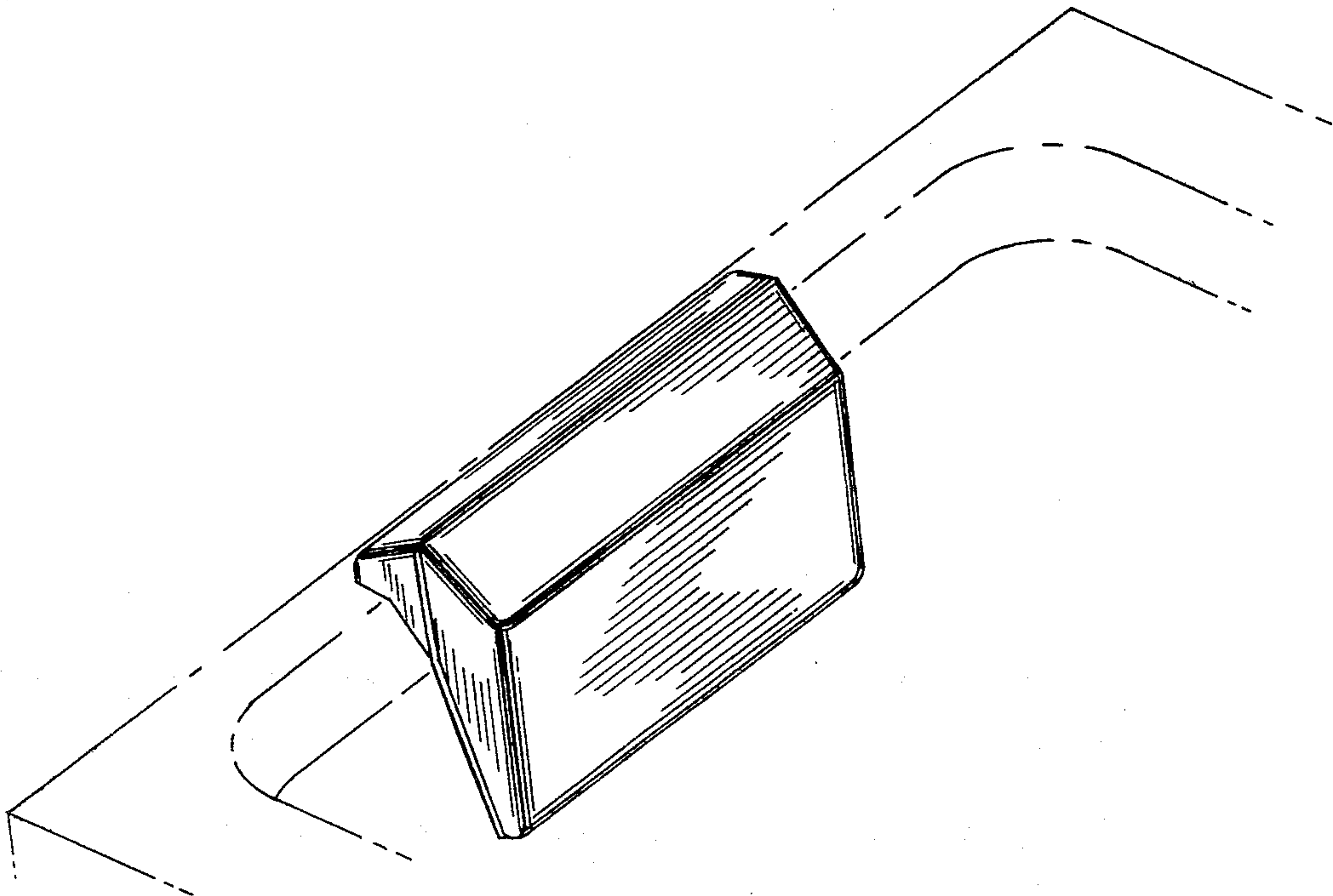


FIG. 1

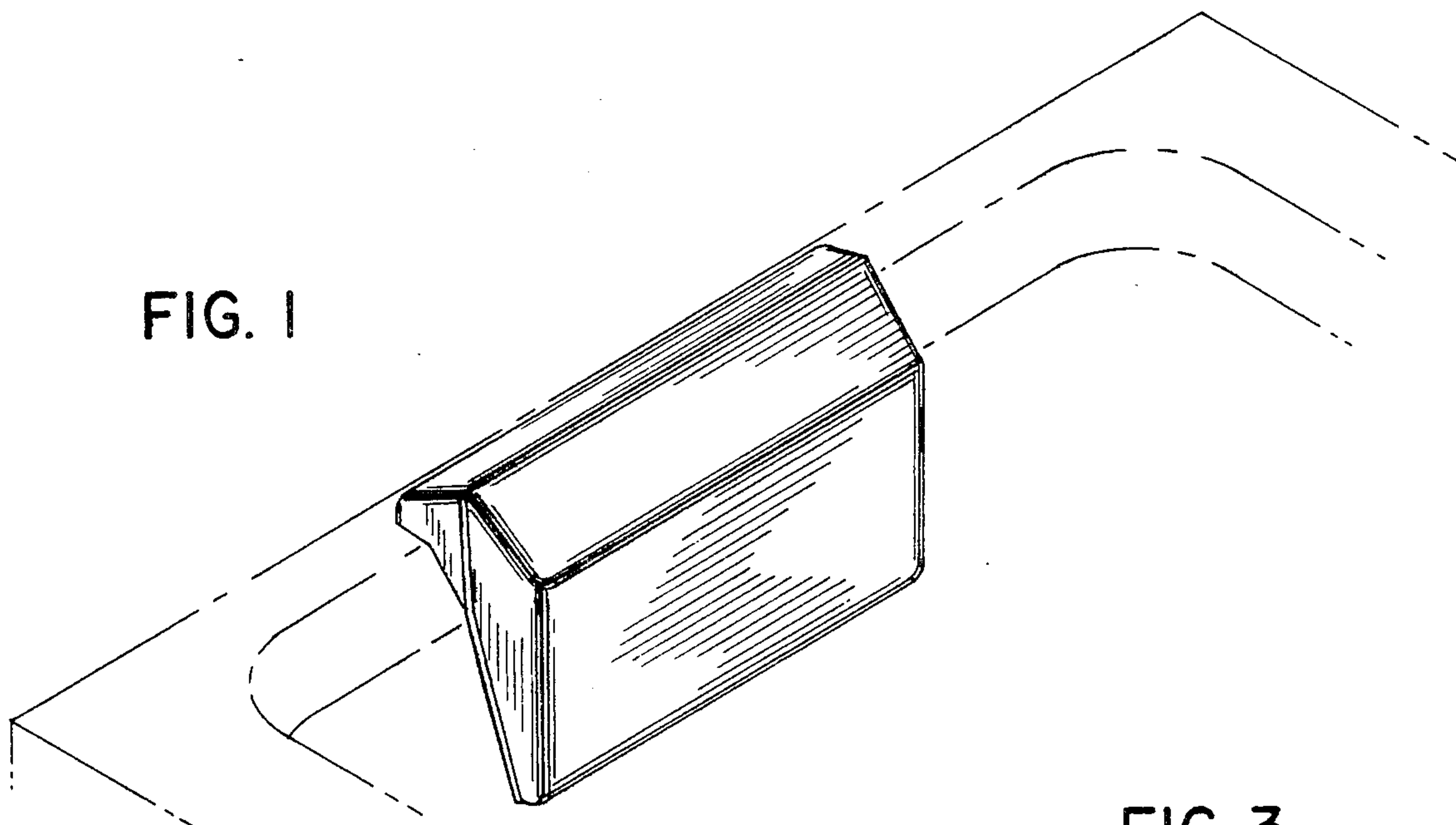


FIG. 3

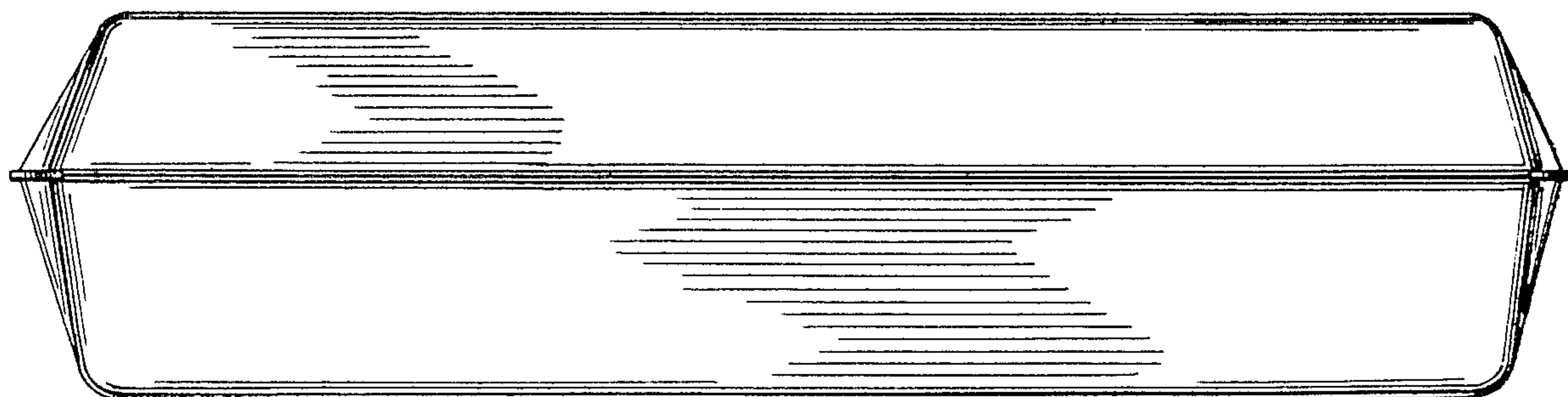


FIG. 4

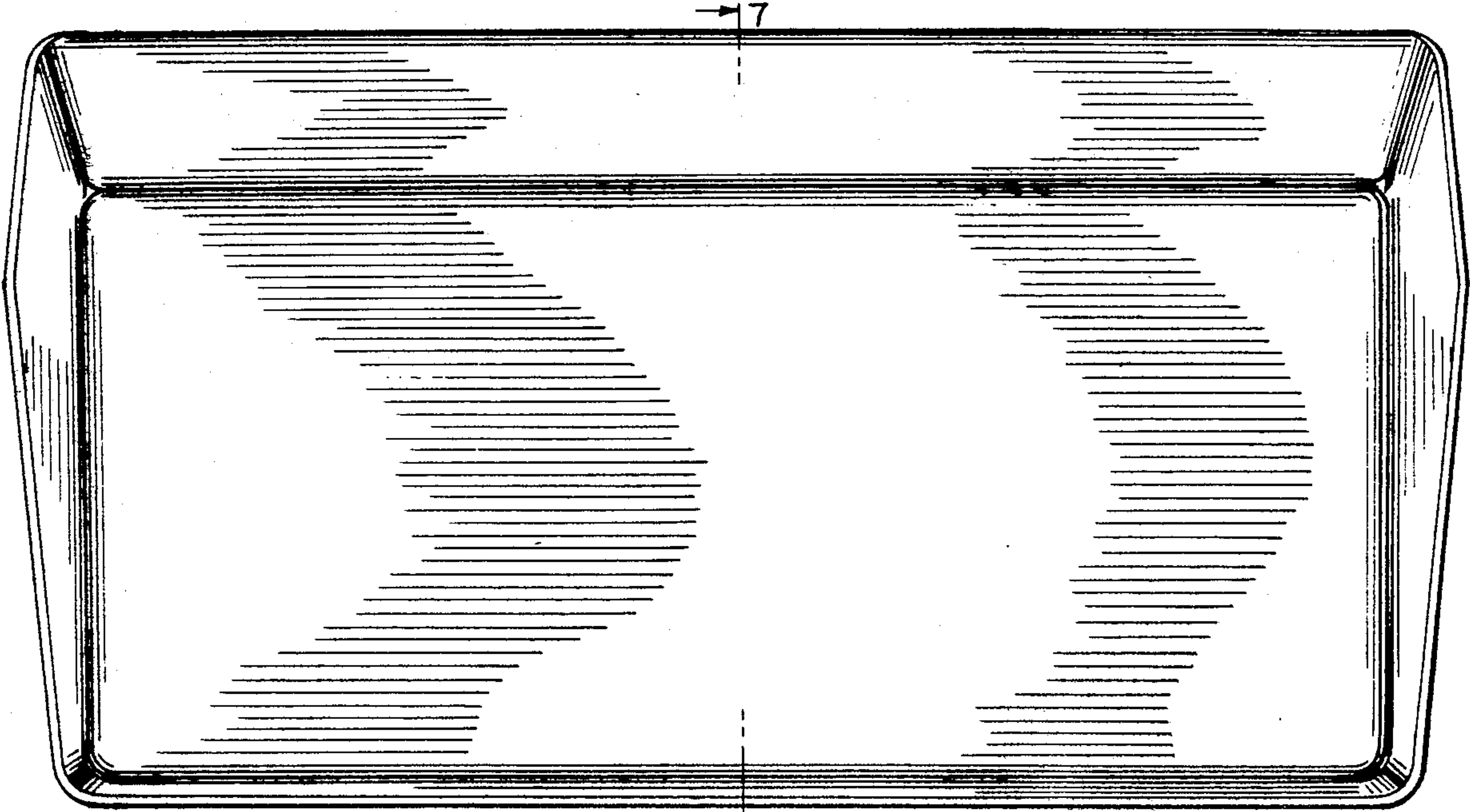


FIG. 2

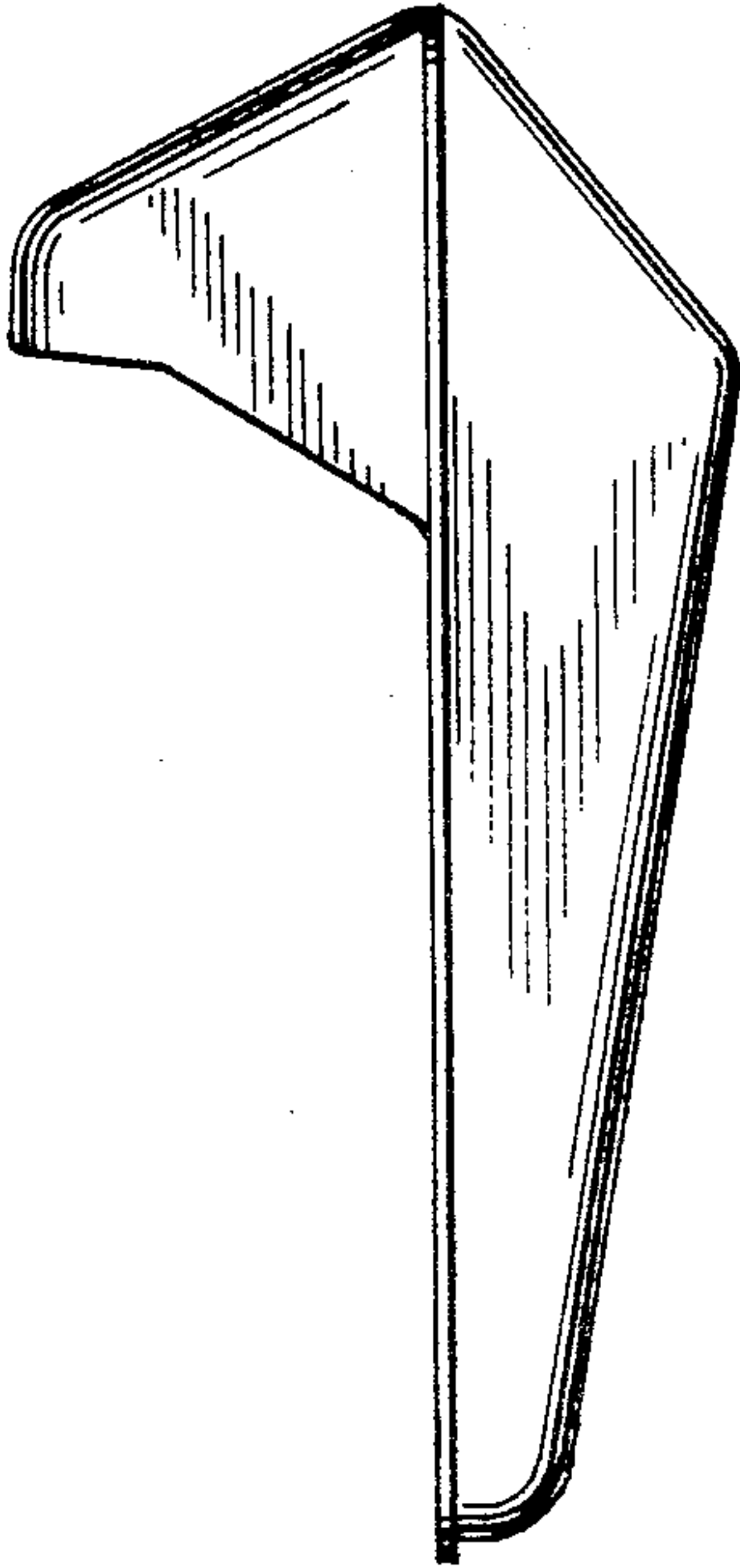


FIG. 6

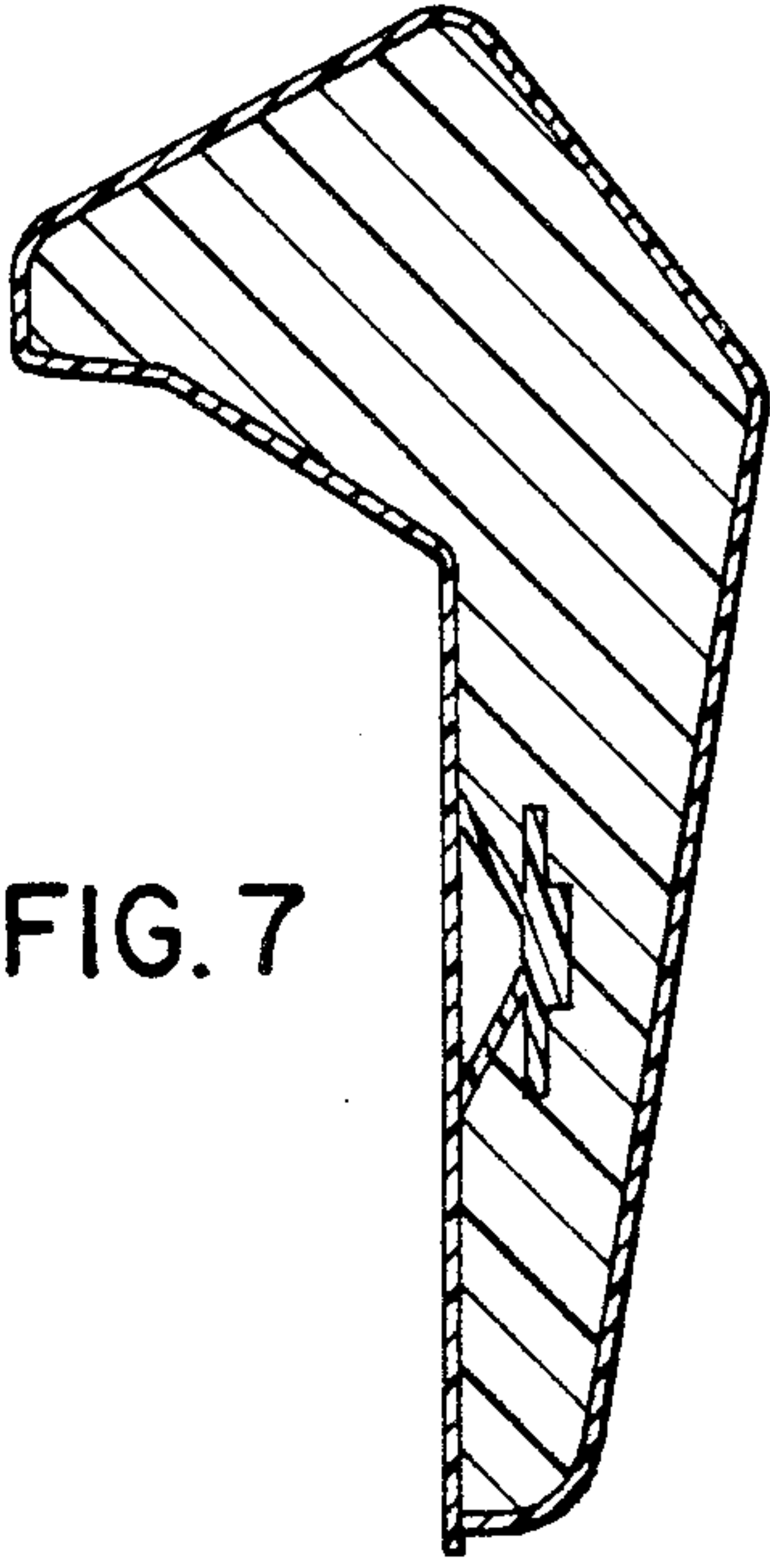


FIG. 7

FIG. 5

