

[54] PAPER ROLL HOLDER

[76] Inventor: Gerald E. Brewster, 6464 Via Venado, San Luis Obispo, Calif. 93401

[\*\*] Term: 14 Years

[21] Appl. No.: 456,567

[22] Filed: Jan. 10, 1983

[52] U.S. Cl. .... D6/522; D6/523

[58] Field of Search ..... D6/86, 85, 96-98; 211/13, 16, 60 R, 87, 105.1, 123; 242/55.2, 55.3, 55.42, 55.53, 55.54, 56 B, 56 R, 137-139; 206/389, 391, 394, 407, 409

[56] References Cited

U.S. PATENT DOCUMENTS

D. 191,739	11/1961	Rosenblum	.....	D6/86
D. 235,832	7/1975	Douglas	.....	D6/96
2,592,955	4/1952	Rodden	.....	242/55.3
4,114,824	9/1978	Danielak	.....	D6/97

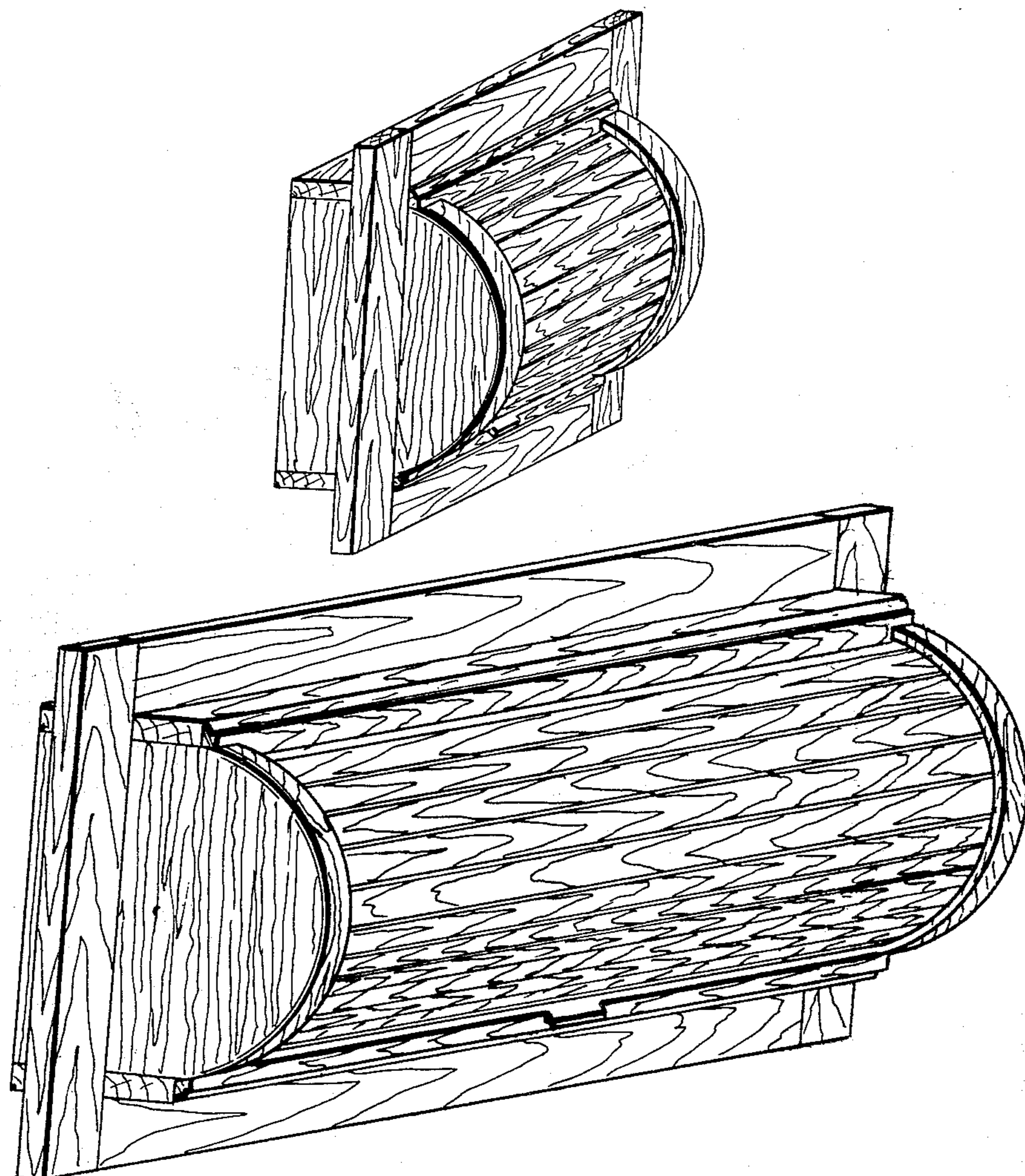
Primary Examiner—B. J. Bullock  
Assistant Examiner—Suzanne N. Gitlin

[57] CLAIM

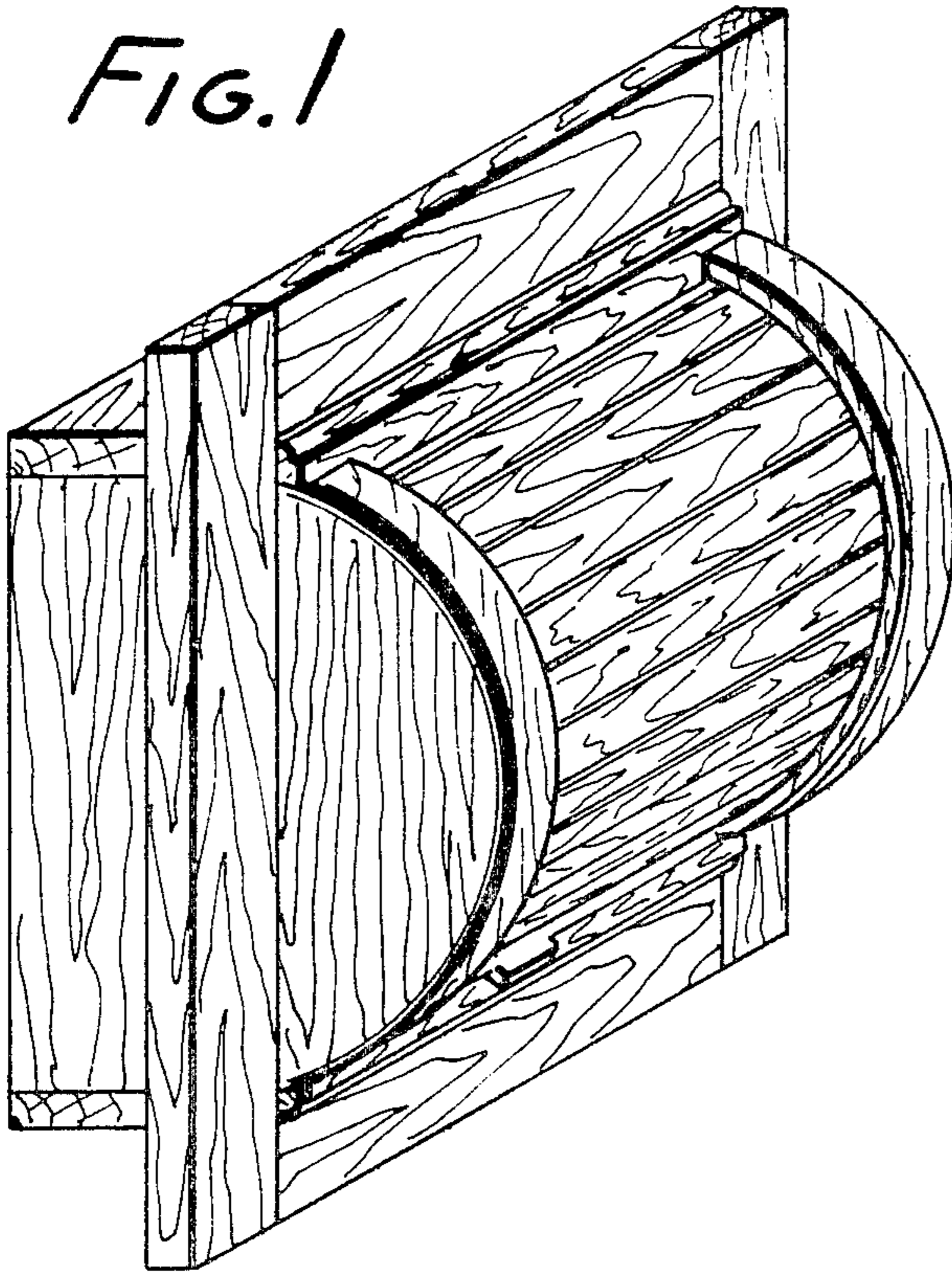
The ornamental design for a paper roll holder, as shown and described.

DESCRIPTION

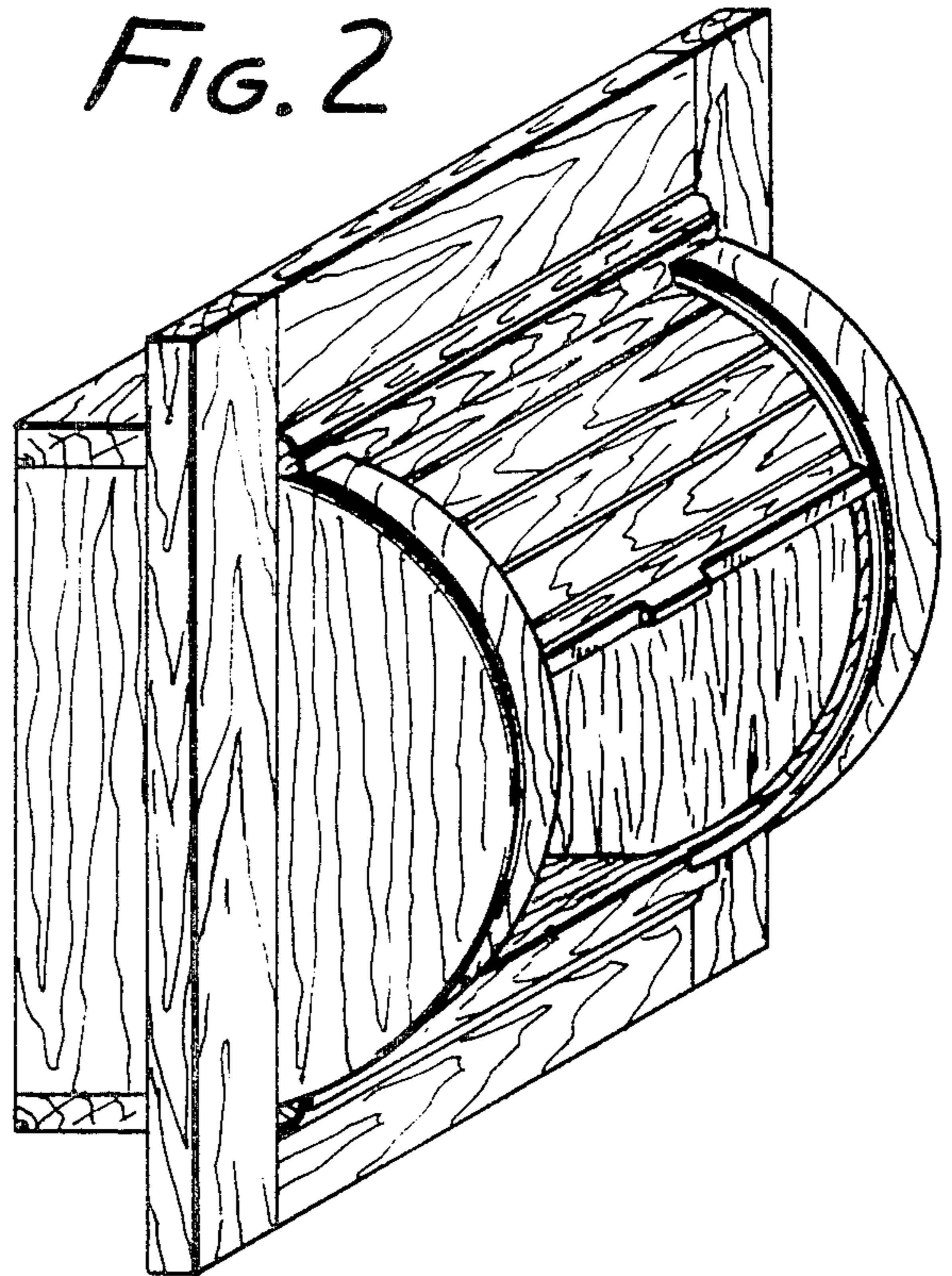
FIG. 1 is a perspective view of the paper roll holder showing my new design;  
FIG. 2 is a perspective view with cover partially open thereof;  
FIG. 3 is a perspective view with cover fully open thereof;  
FIG. 4 is a front elevational view thereof;  
FIG. 5 is a side elevational view thereof;  
FIG. 6 is a side elevational view of a second embodiment;  
FIG. 7 is a perspective thereof;  
FIG. 8 is a perspective view with cover fully open thereof;  
FIG. 9 is a perspective view of a third embodiment;  
FIG. 10 is a perspective view with cover fully open thereof;  
FIG. 11 is a front elevational view thereof;  
FIG. 12 is a side elevational view thereof;  
FIG. 13 is a side elevational view of a fourth embodiment;  
FIG. 14 is a perspective view thereof;  
FIG. 15 is a perspective view with cover fully open, thereof.



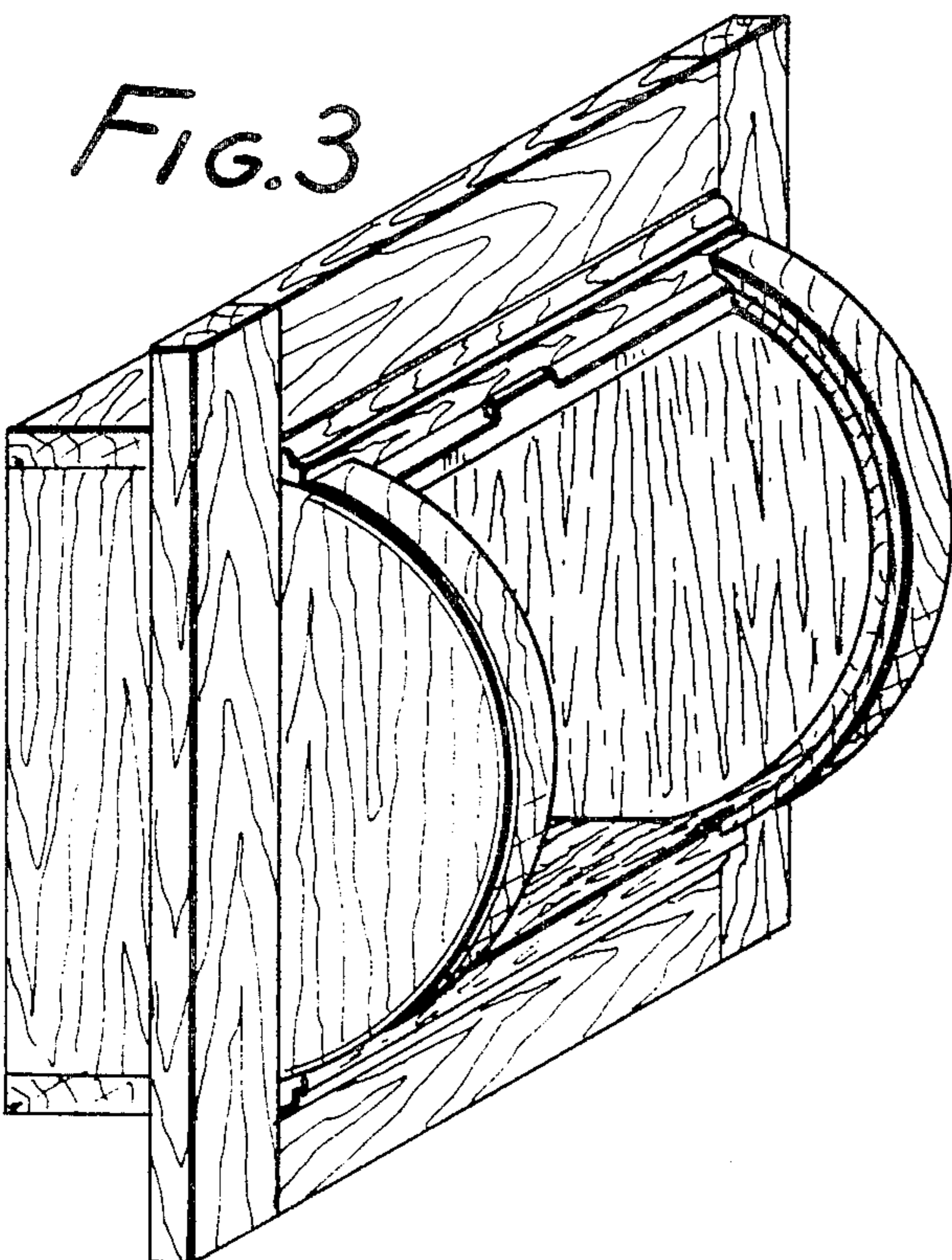
*FIG. 1*



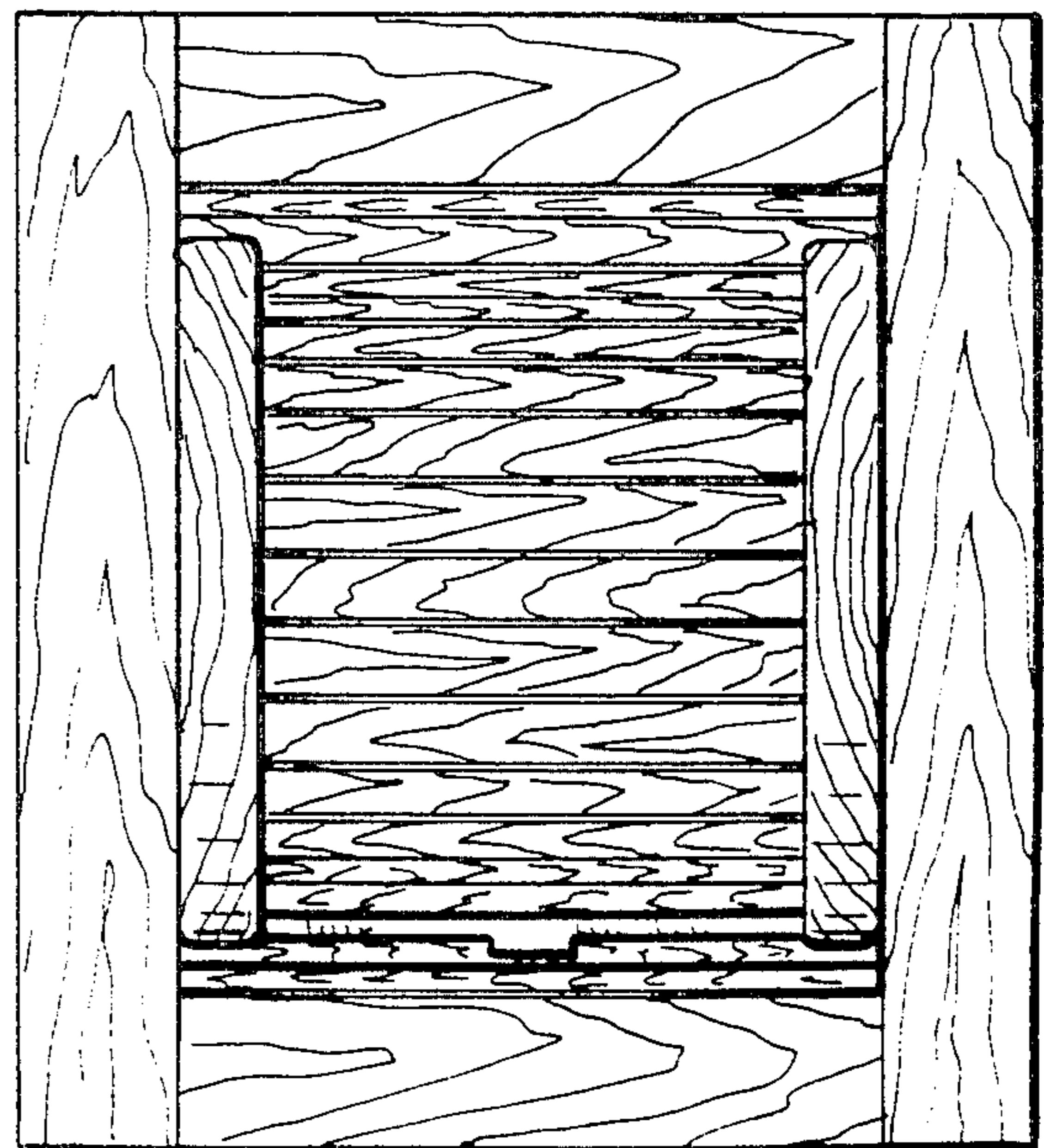
*FIG. 2*

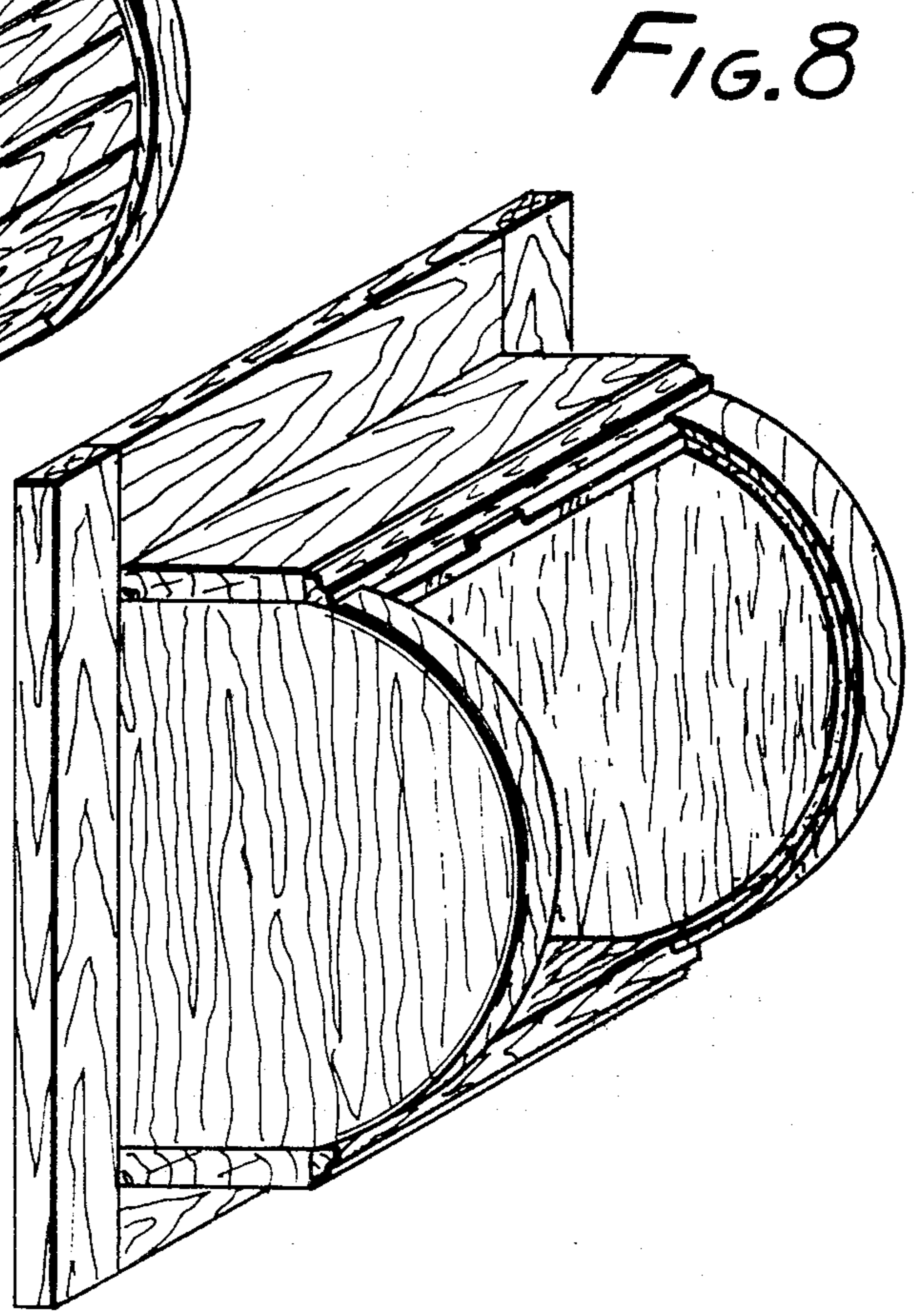
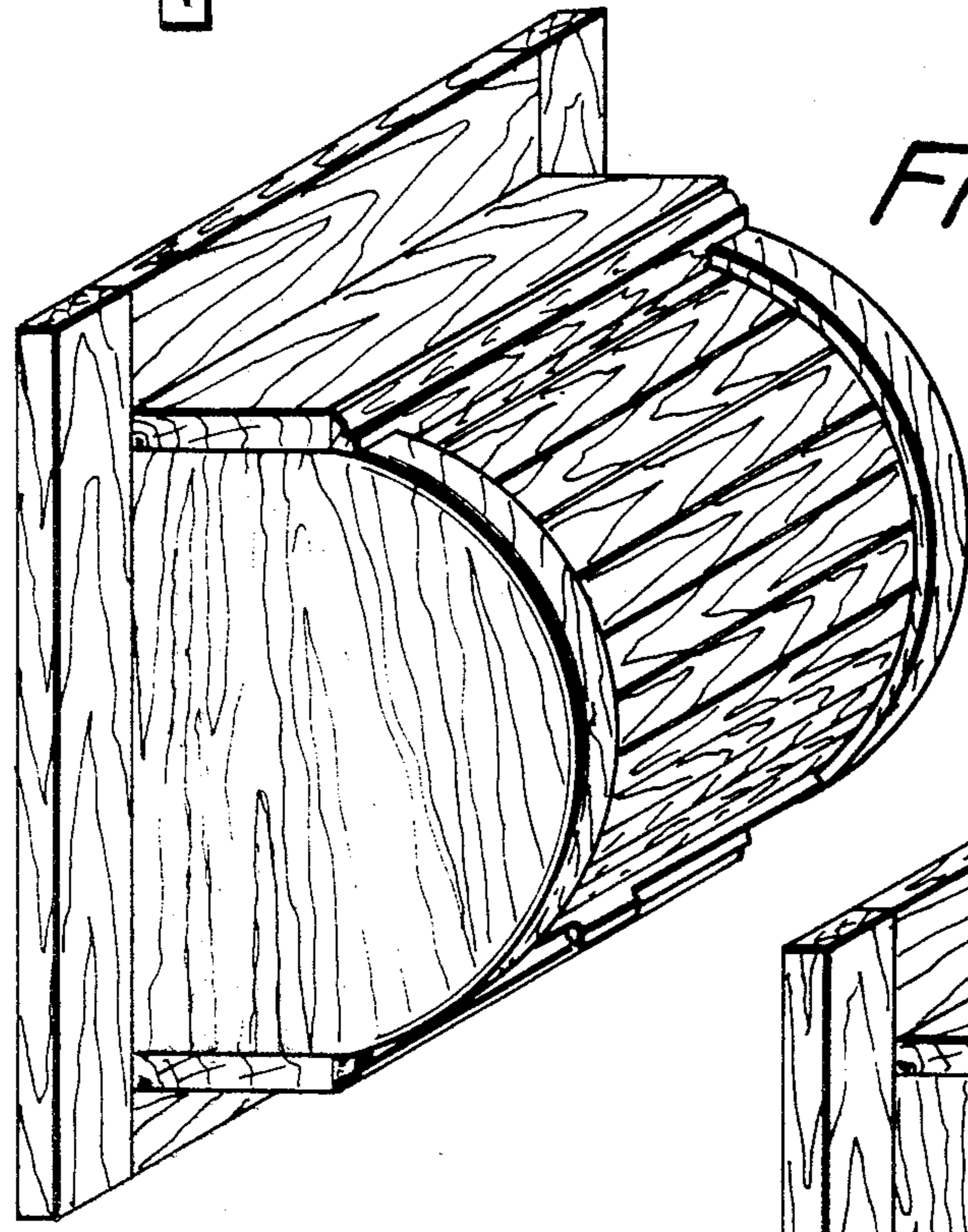
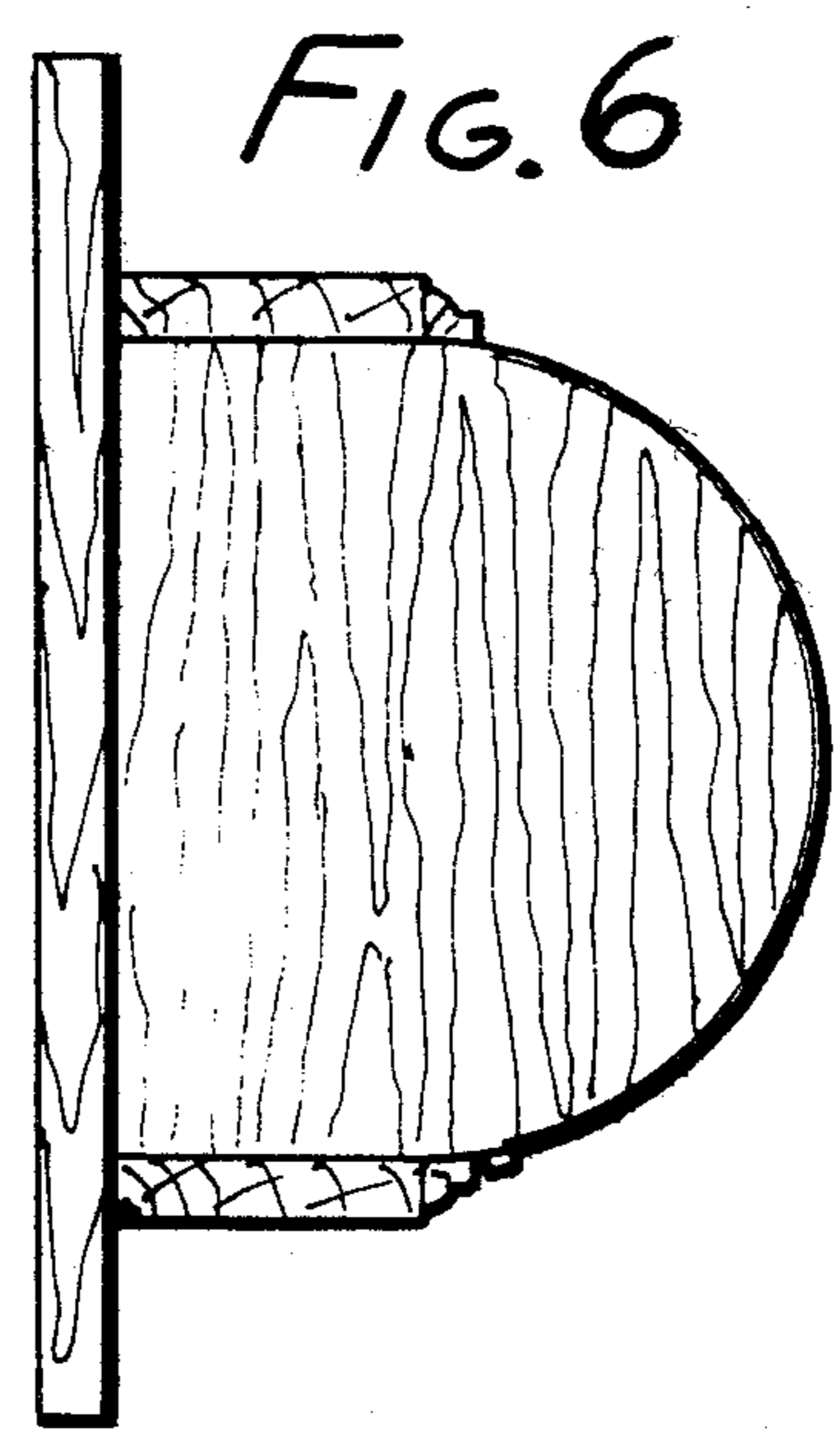
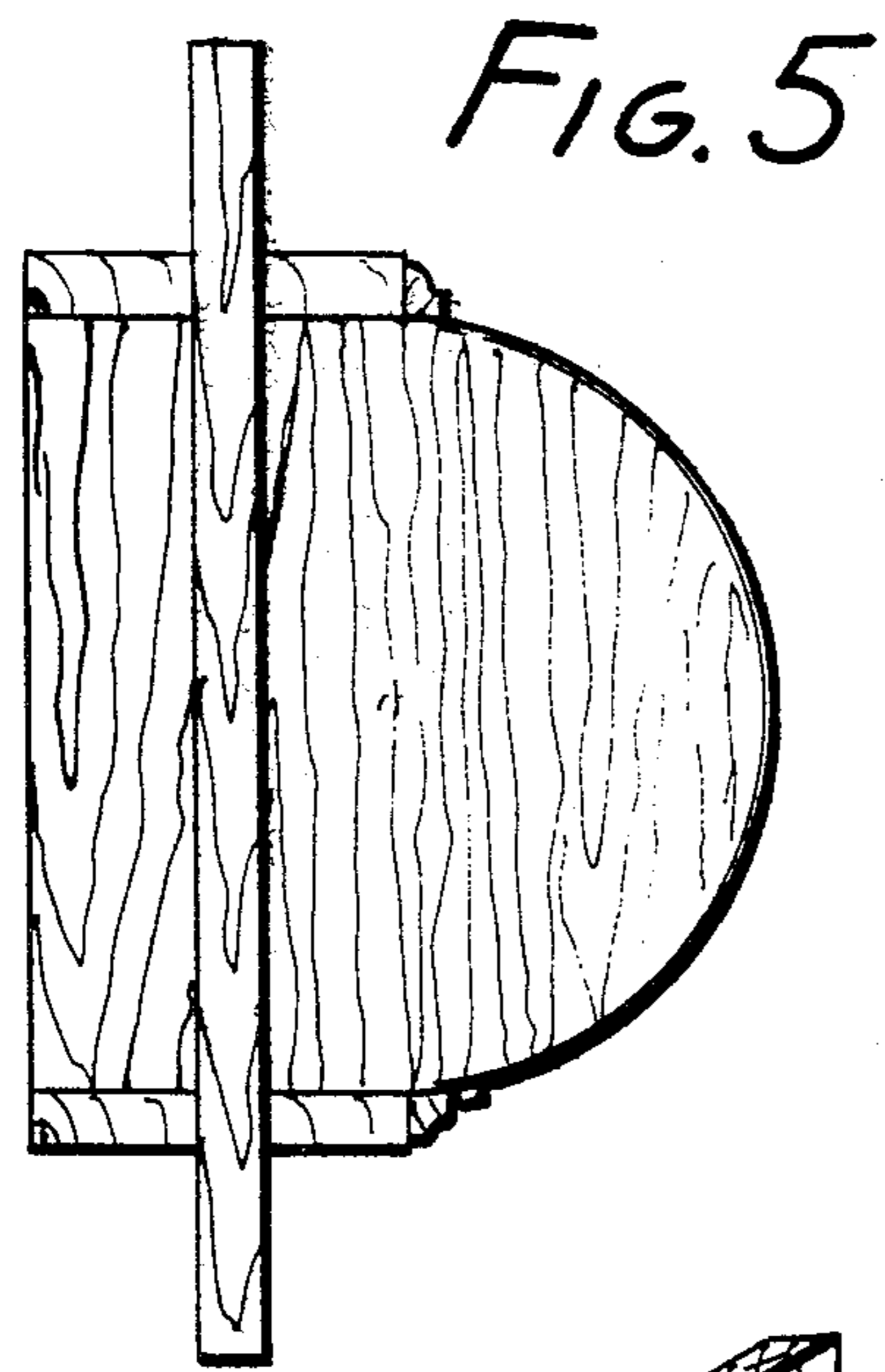


*FIG. 3*

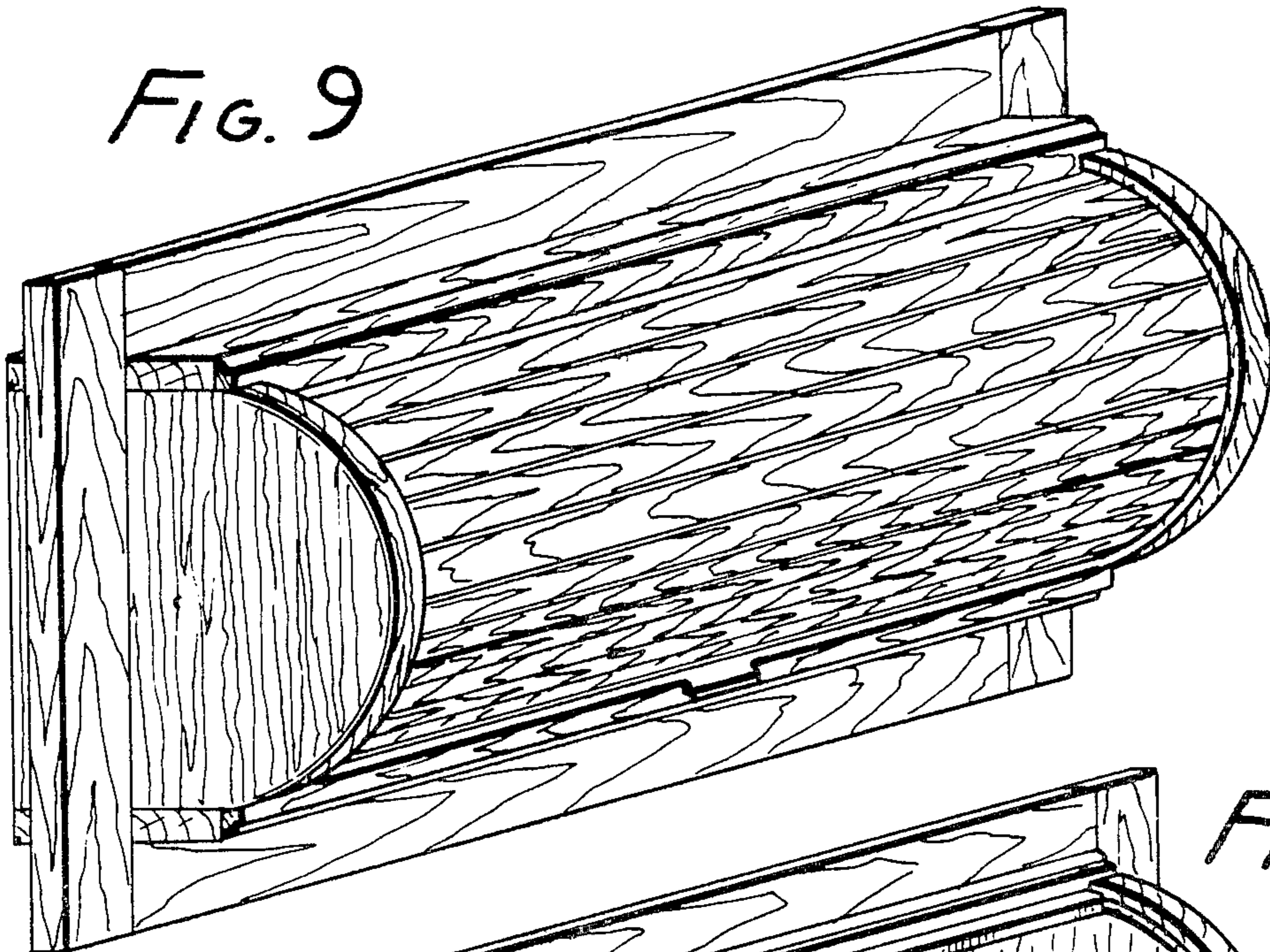


*FIG. 4*

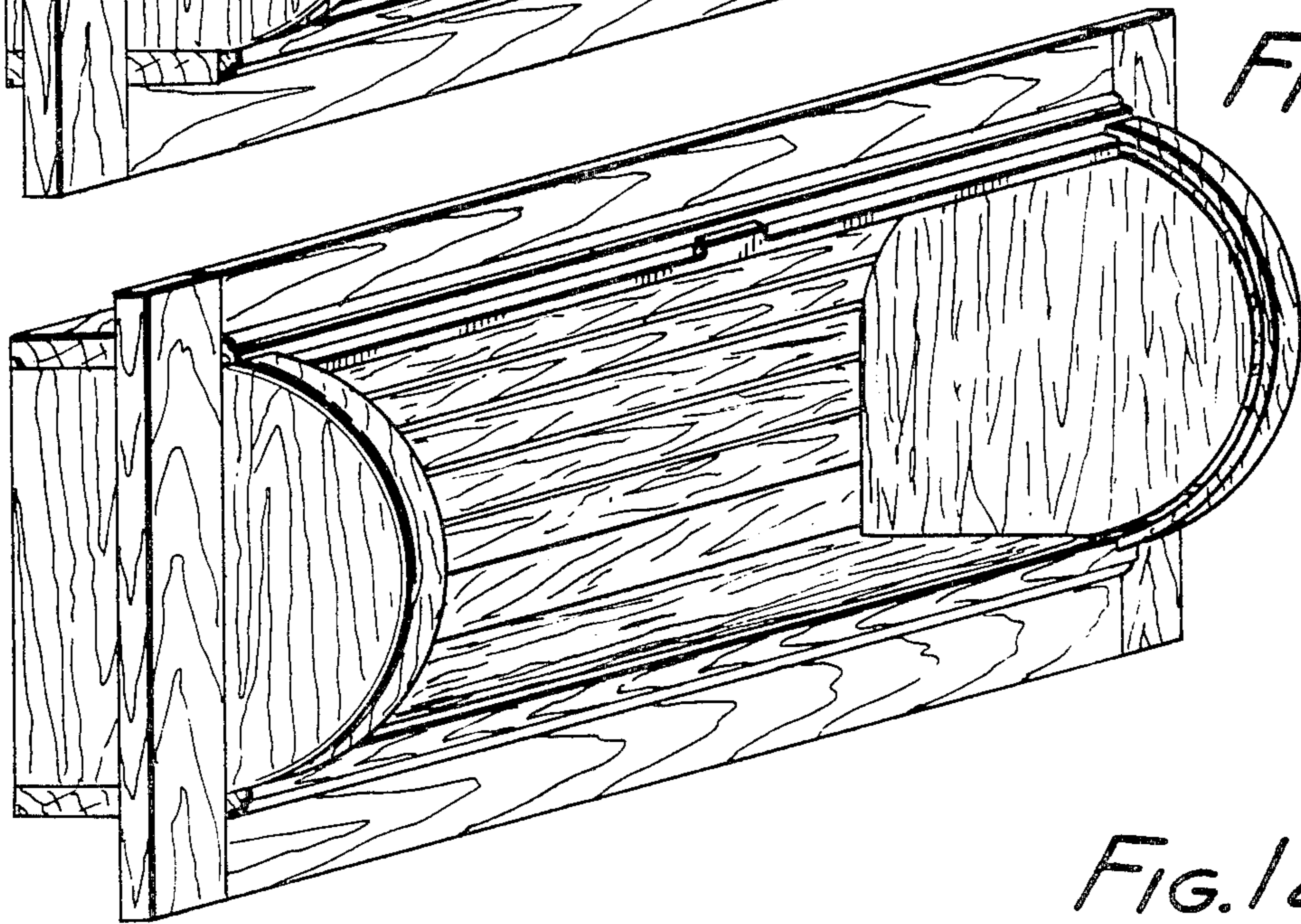




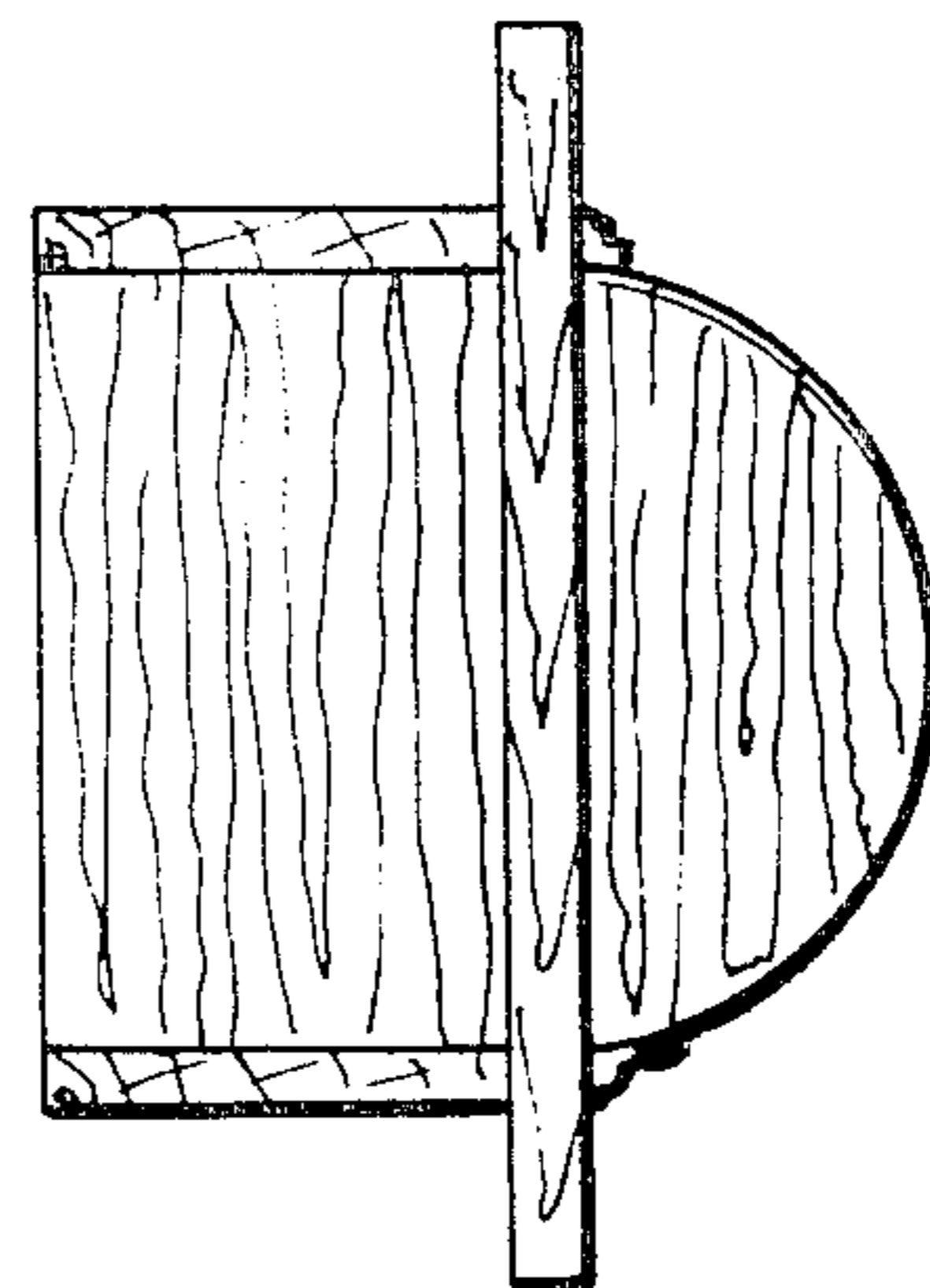
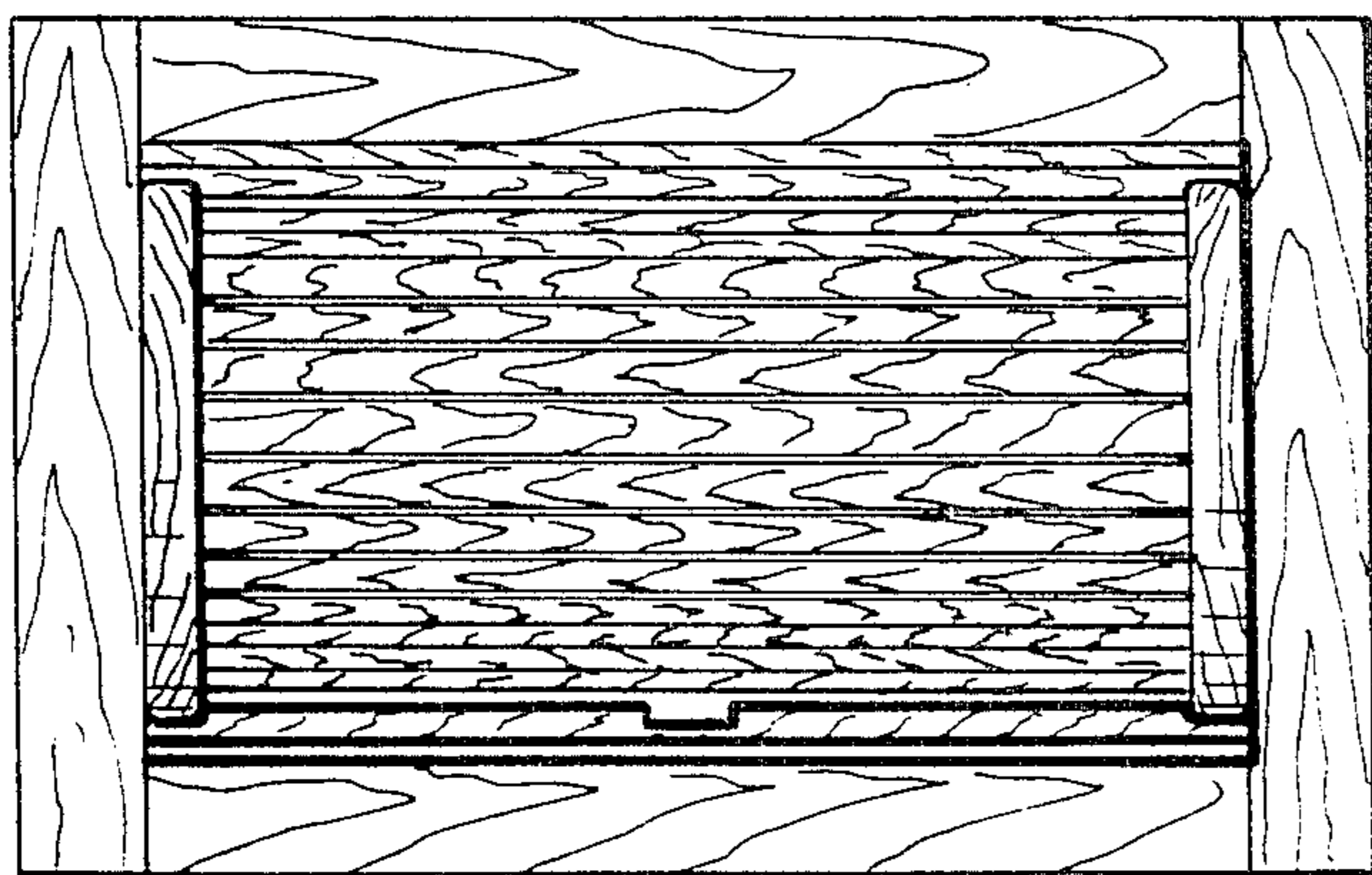
*FIG. 9*



*FIG. 10*

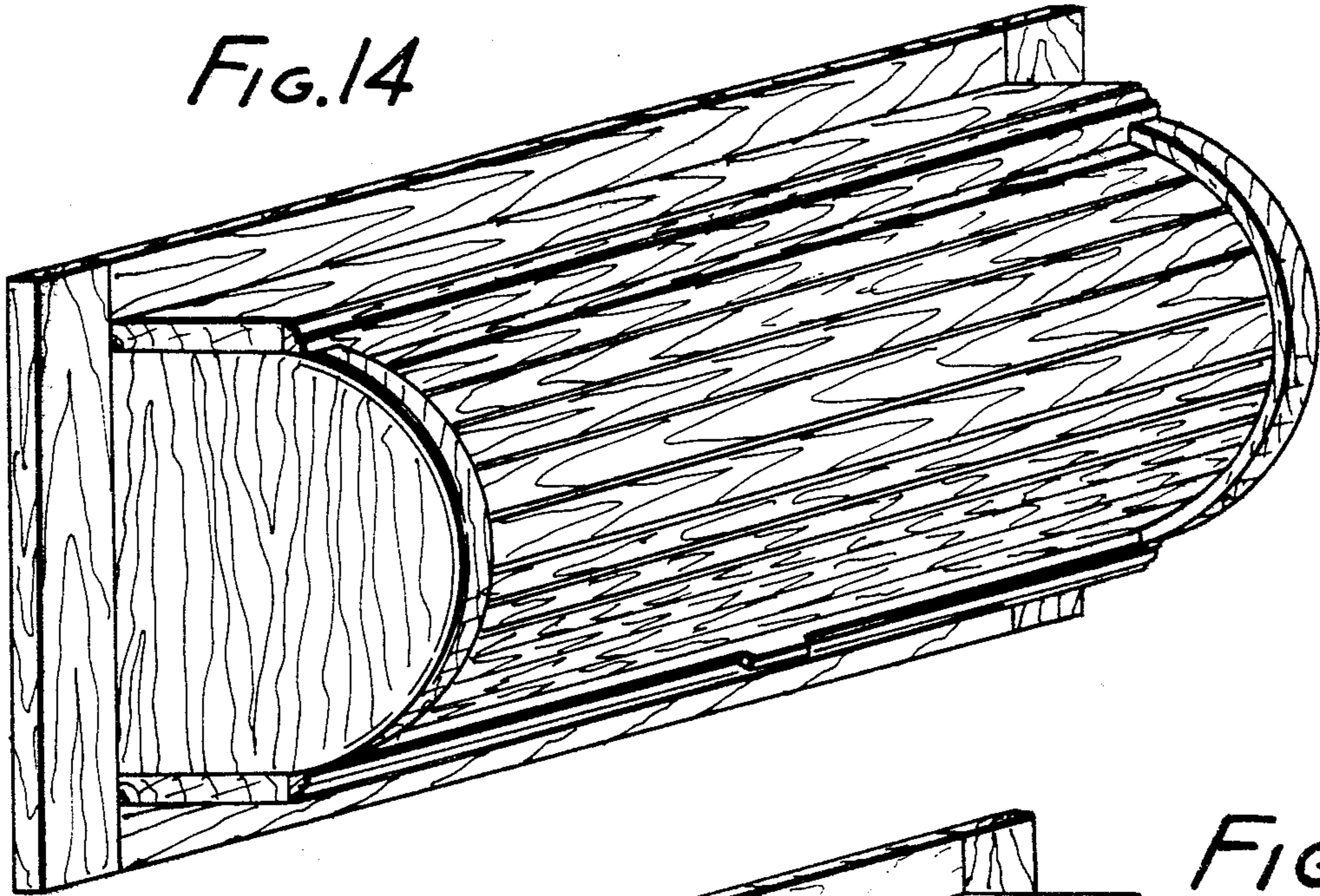


*FIG. 12*

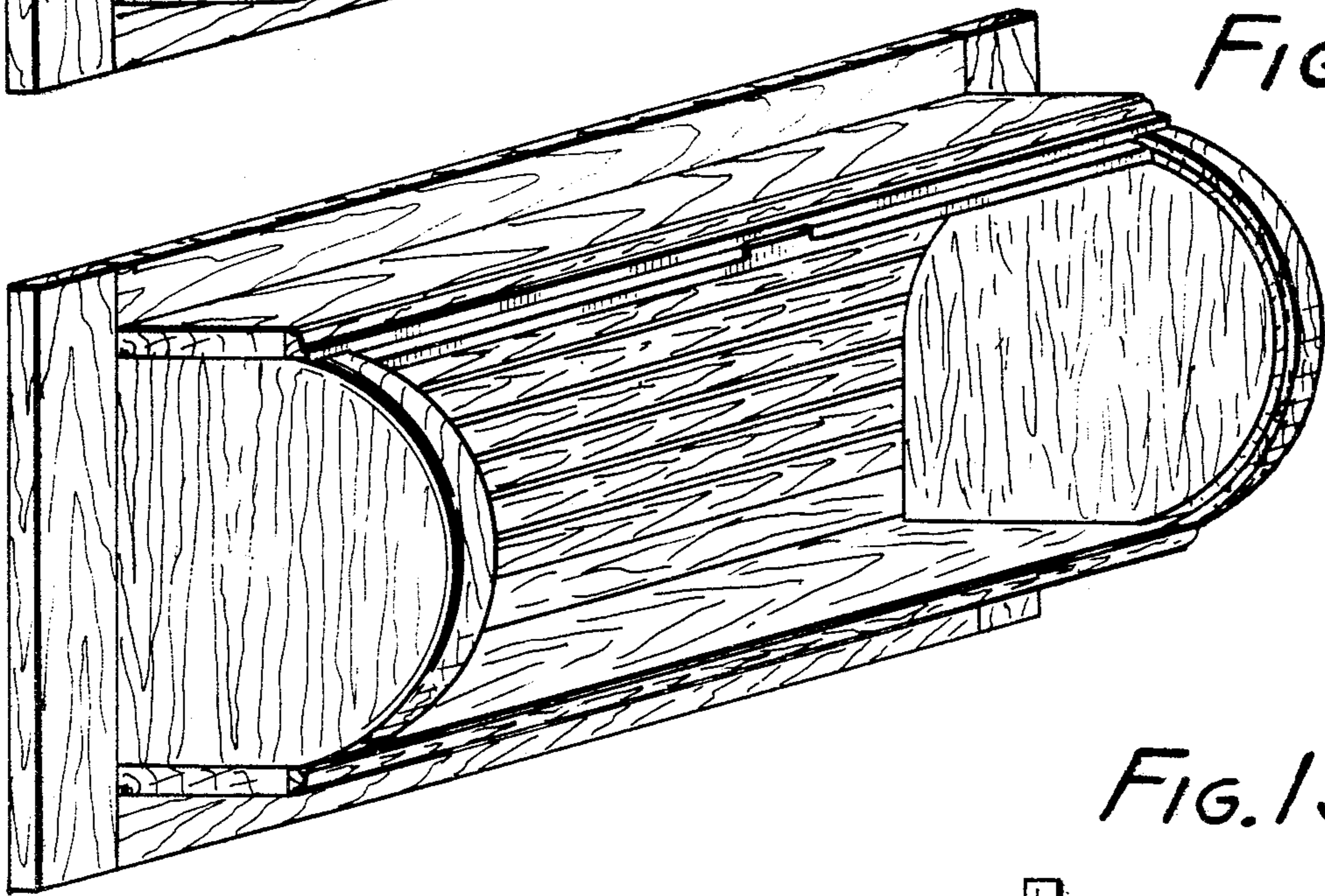


*FIG. 11*

*FIG. 14*



*FIG. 15*



*FIG. 13*

