

[54] ADJUSTABLE STAND FOR A COMPUTER KEYBOARD OR THE LIKE

D. 220,703 5/1971 Deguchi et al. D6/179
D. 243,984 4/1977 Christen, Jr. D6/179

[75] Inventor: Francis Spear, Conklin, N.Y.

OTHER PUBLICATIONS

[73] Assignee: Systems Manufacturing Corporation, Binghamton, N.Y.

"Data Station" Flyer By Structural Concepts Corporation, Jan. 1, 1981, Price List p. 2; Dropped Keyboard Station top of page.

[**] Term: 14 Years

Primary Examiner—Carmen H. Vales
Attorney, Agent, or Firm—Richard G. Stephens

[21] Appl. No.: 407,607

[57] CLAIM

[22] Filed: Aug. 12, 1982

The ornamental design for an adjustable stand for a computer keyboard or the like, as shown and described.

[52] U.S. Cl. D6/429; D6/430

[58] Field of Search D6/85, 177, 178, 181, D6/186, 179; D14/100, 102, 103, 104, 106; 108/59, 106

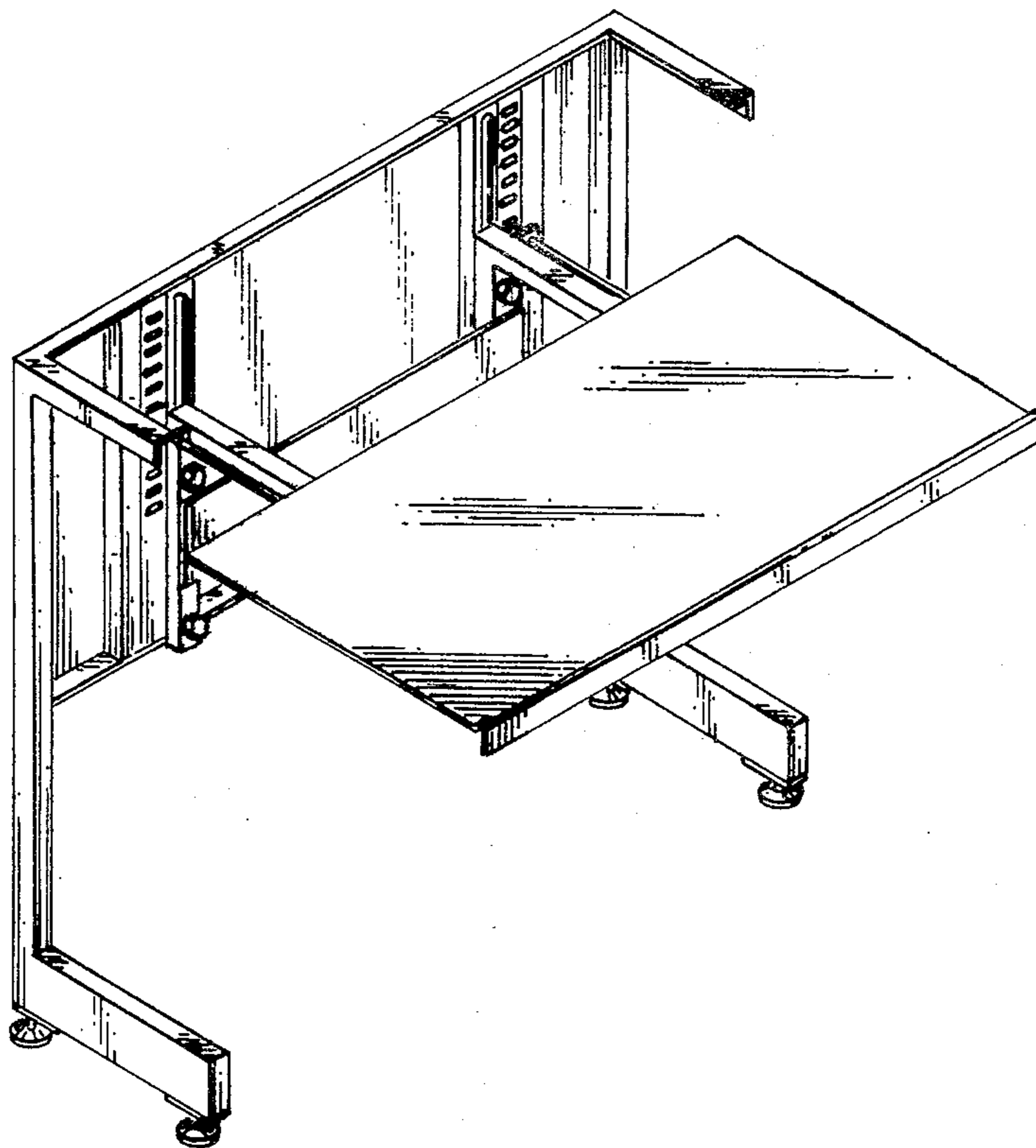
DESCRIPTION

[56] References Cited

U.S. PATENT DOCUMENTS

D. 209,680 12/1967 Bravo et al. D6/181
D. 212,791 11/1968 O'Donovan D6/179 X
D. 218,750 9/1970 Zierhut D14/103

FIG. 1 is a perspective view of an adjustable stand for a computer keyboard or the like showing my new design; FIG. 2 is a front elevational view thereof; FIG. 3 is a right end elevational view thereof; FIG. 4 is a rear elevational view thereof; FIG. 5 is a top plan view thereof; and FIG. 6 is a bottom plan view thereof.



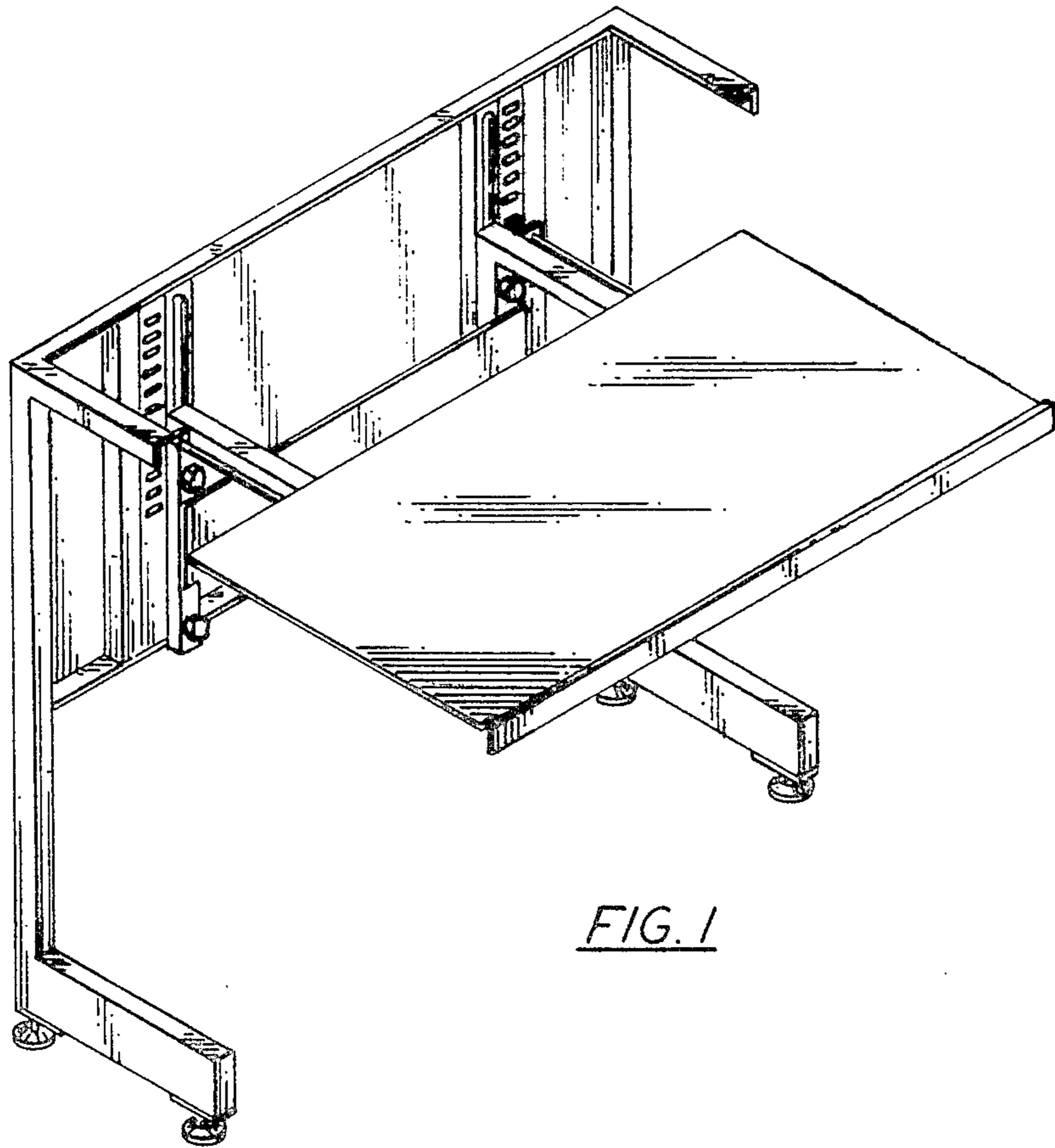


FIG. 1

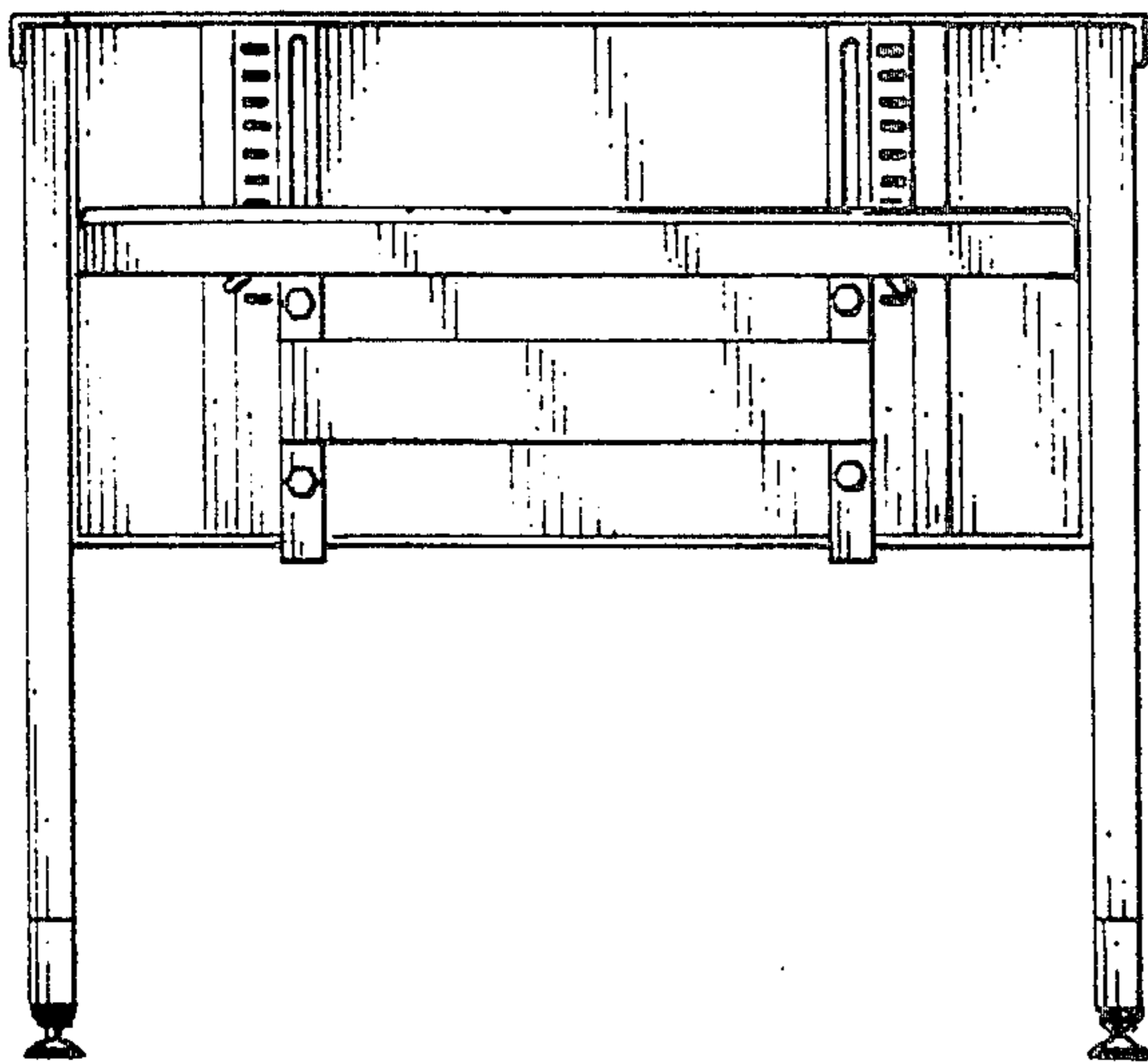


FIG. 2

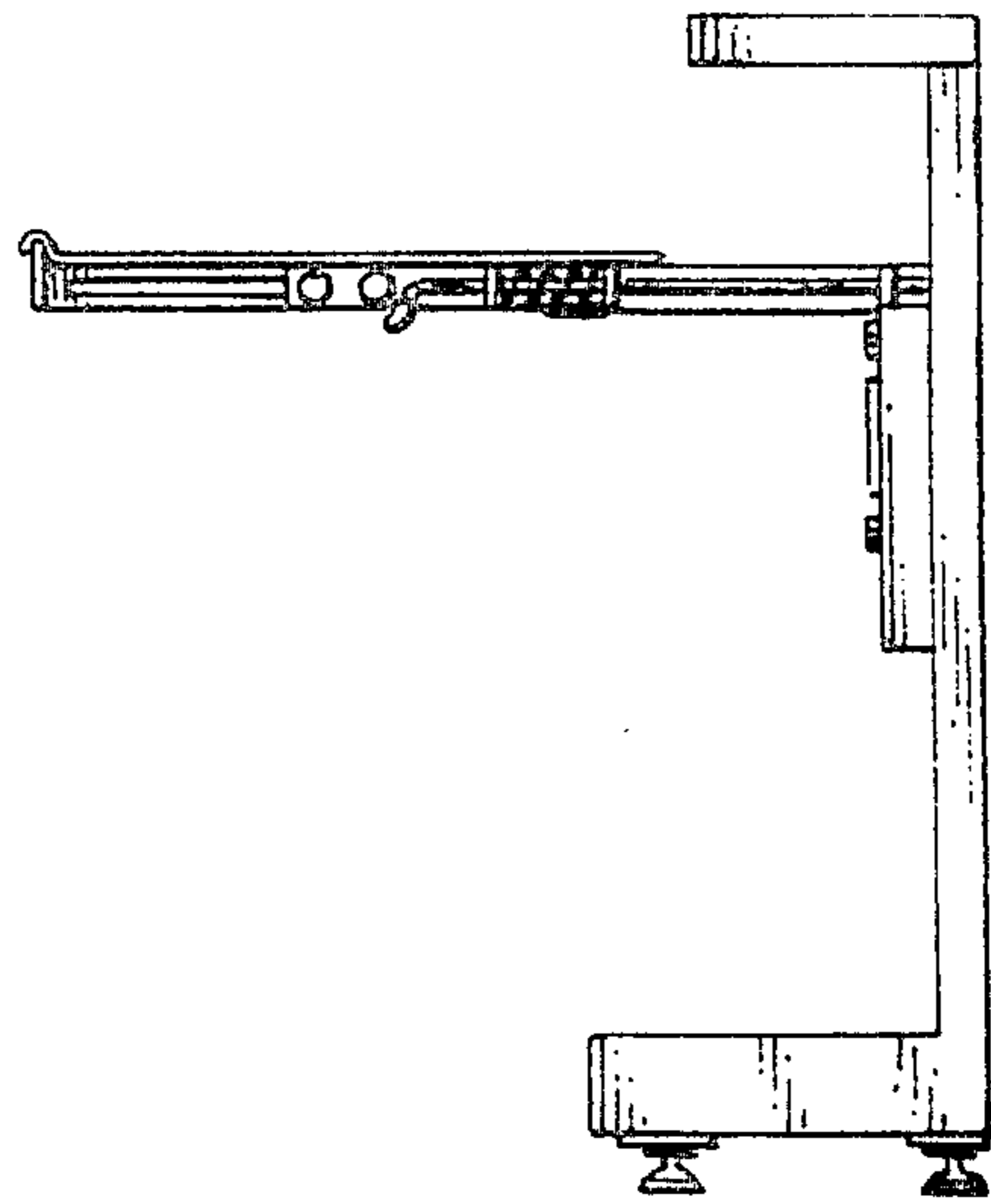


FIG. 3

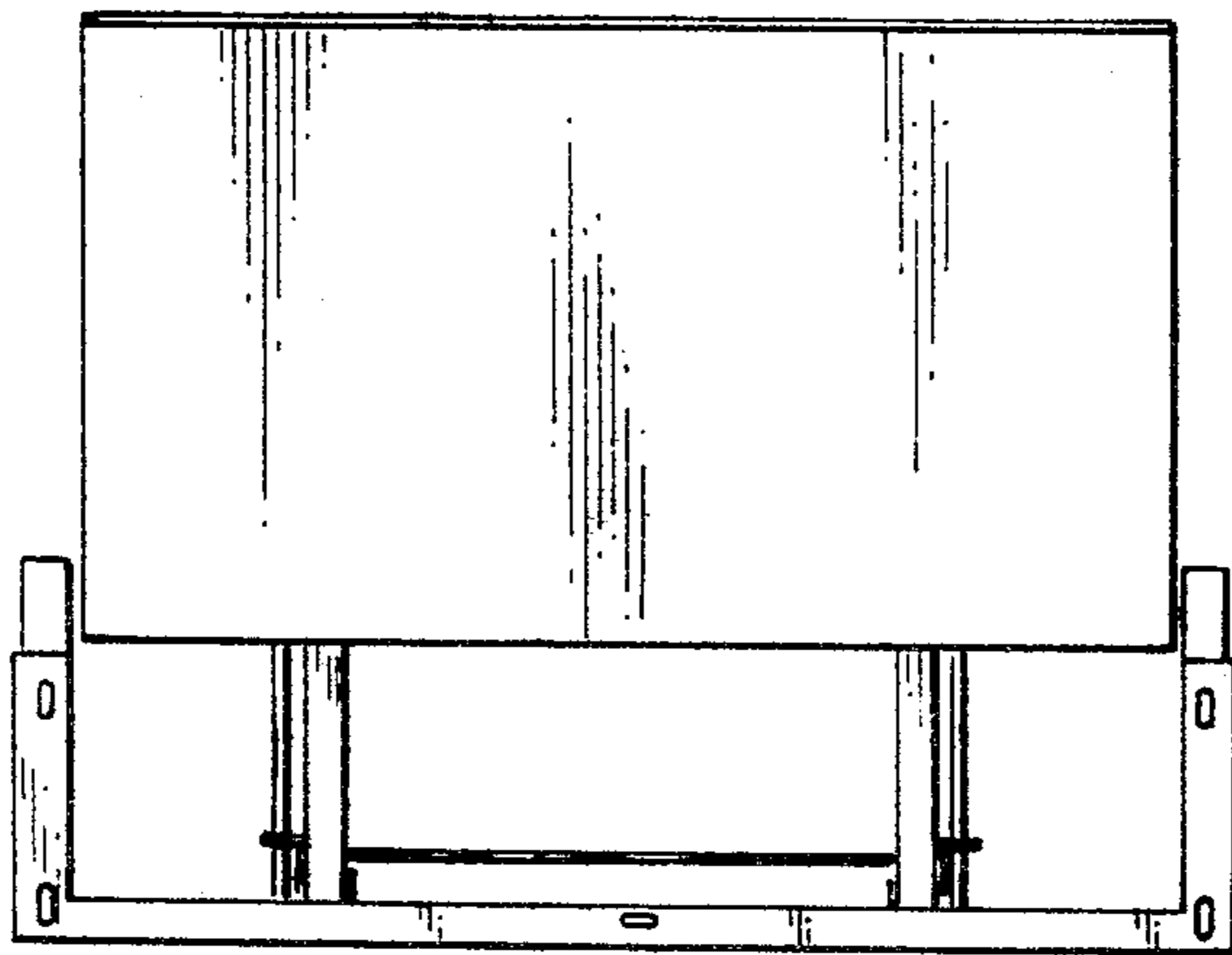


FIG. 5

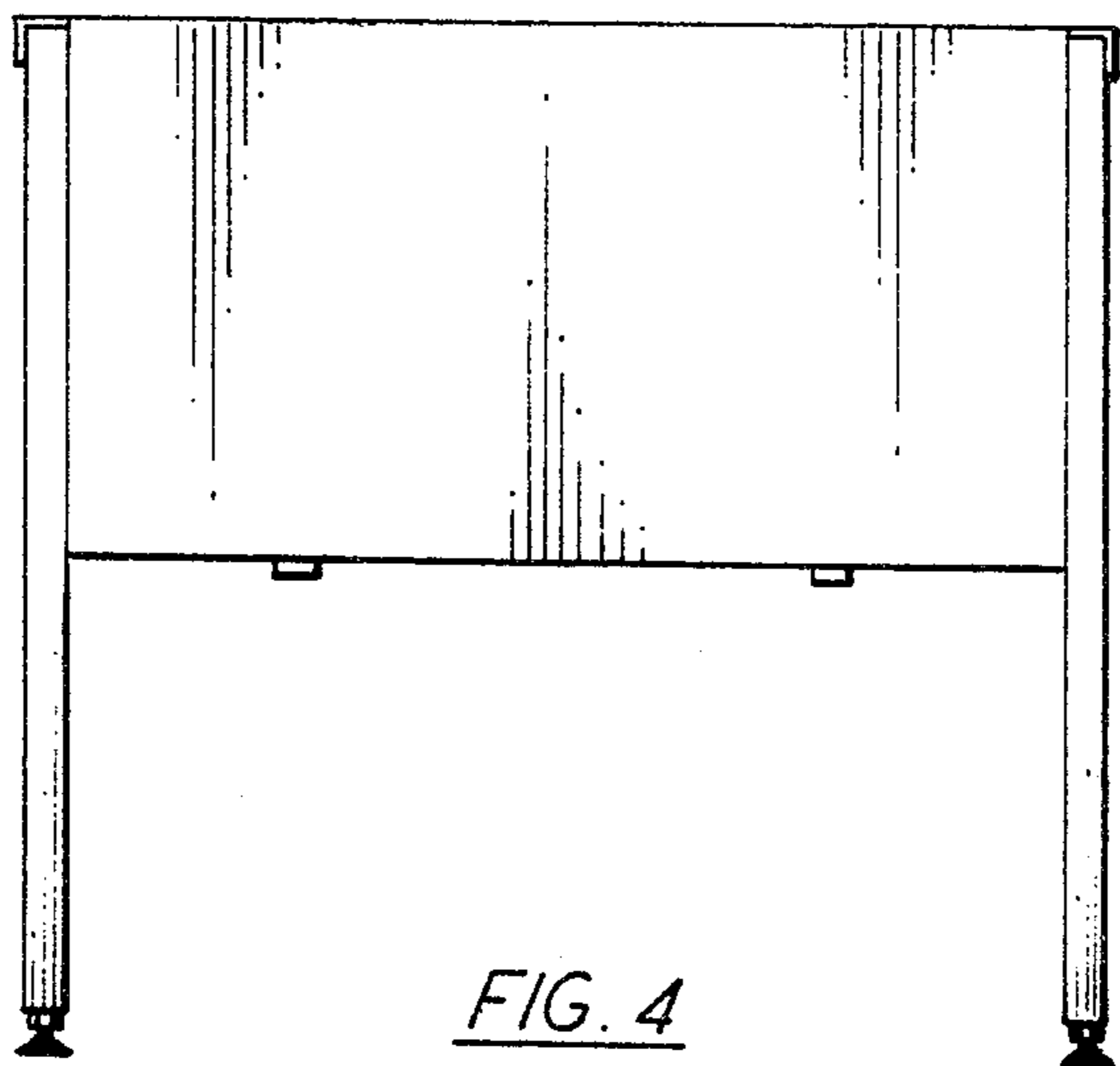


FIG. 4

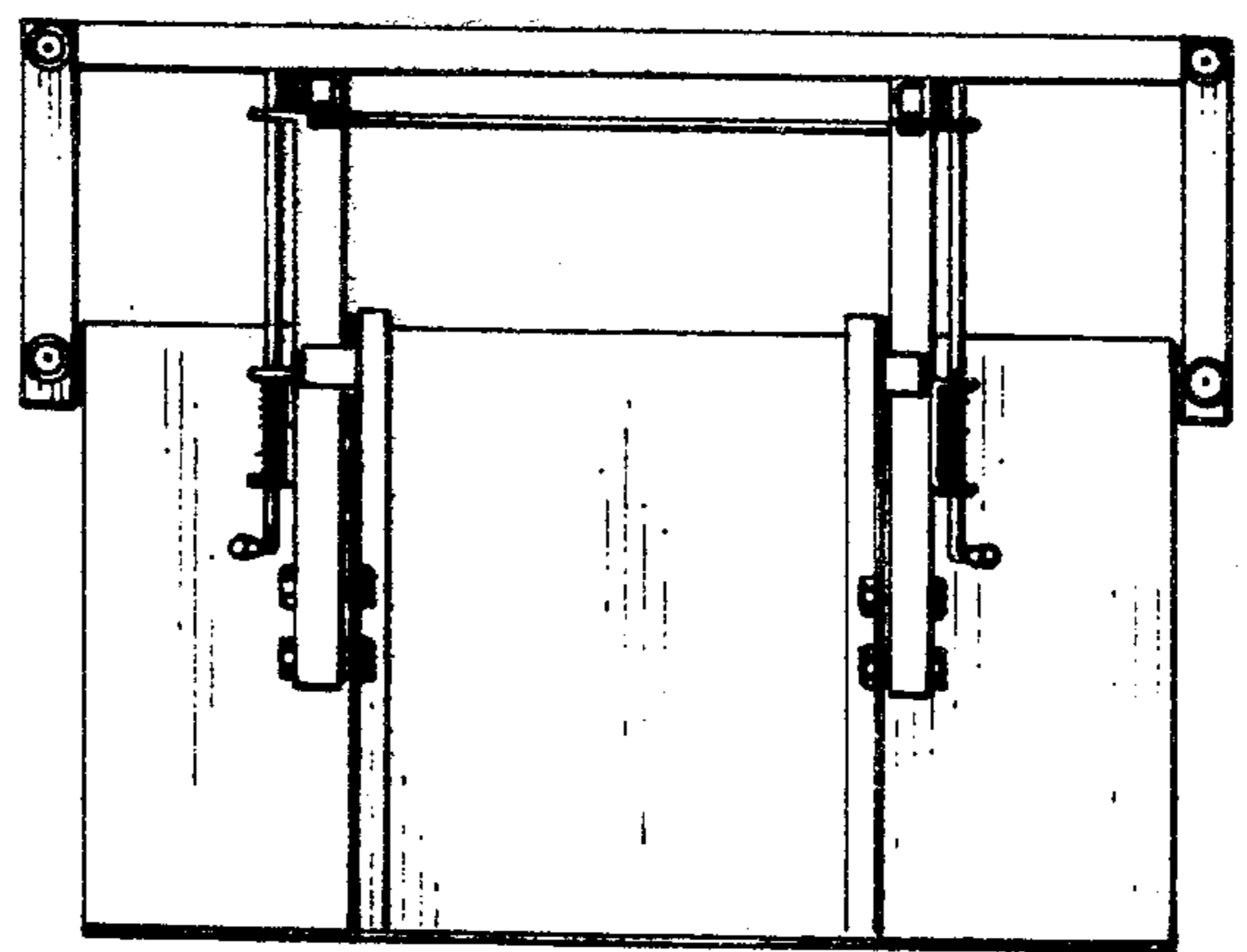


FIG. 6