

[54] **CHAIR**

[76] **Inventor:** Giovanni Offredi, Via Ludovico Muratori 29, Milano, Italy

[**] **Term:** 14 Years

[21] **Appl. No.:** 473,875

[22] **Filed:** Mar. 10, 1983

[30] **Foreign Application Priority Data**

Sep. 17, 1982 [IT] Italy 60949B/82

[52] **U.S. Cl.** D6/376; D6/370;
D6/373; D6/374; D6/375

[58] **Field of Search** D6/334, 370, 373, 374,
D6/375, 376

[56] **References Cited**

U.S. PATENT DOCUMENTS

- D. 169,338 4/1953 Risley D6/375 X
- D. 170,790 11/1953 Bertola D6/375
- D. 171,265 1/1954 Phillips D6/375

- D. 228,593 10/1973 Chang D6/369
- D. 249,414 9/1978 Adkinson D6/334
- D. 263,525 3/1982 Colby D6/369

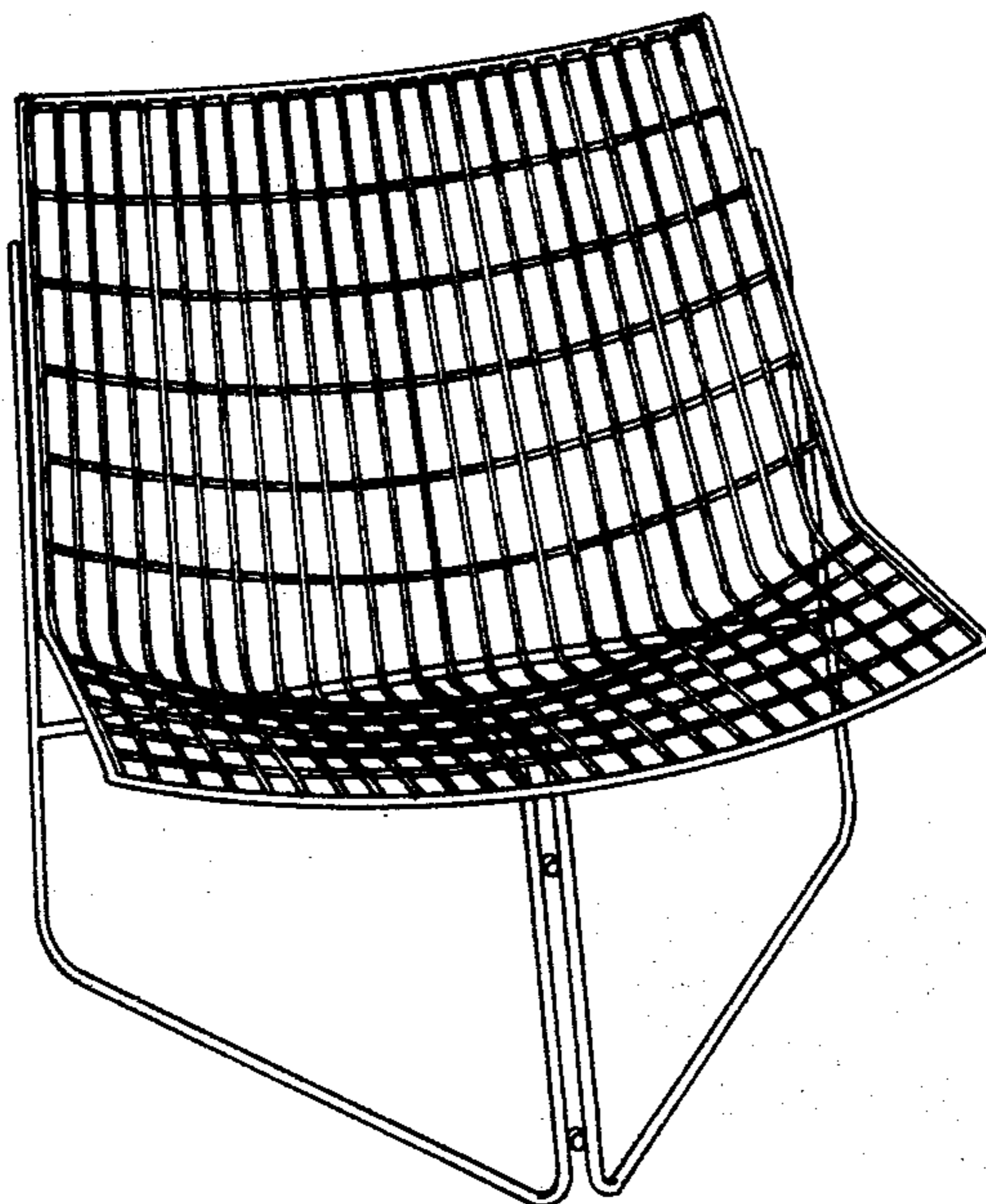
Primary Examiner—Bruce W. Dunkins
Attorney, Agent, or Firm—Kuhn, Muller and Bazerman

[57] **CLAIM**

The ornamental design for a chair, as shown and described.

DESCRIPTION

FIG. 1 is a front perspective view of a chair showing my design;
FIG. 2 is a side perspective view thereof;
FIG. 3 is a rear perspective view; and
FIG. 4 is a bottom view thereof;
FIG. 5 is a front perspective view of a second embodiment of my design;
FIG. 6 is a side perspective view thereof;
FIG. 7 is a bottom view thereof; and
FIG. 8 is a rear perspective view thereof.



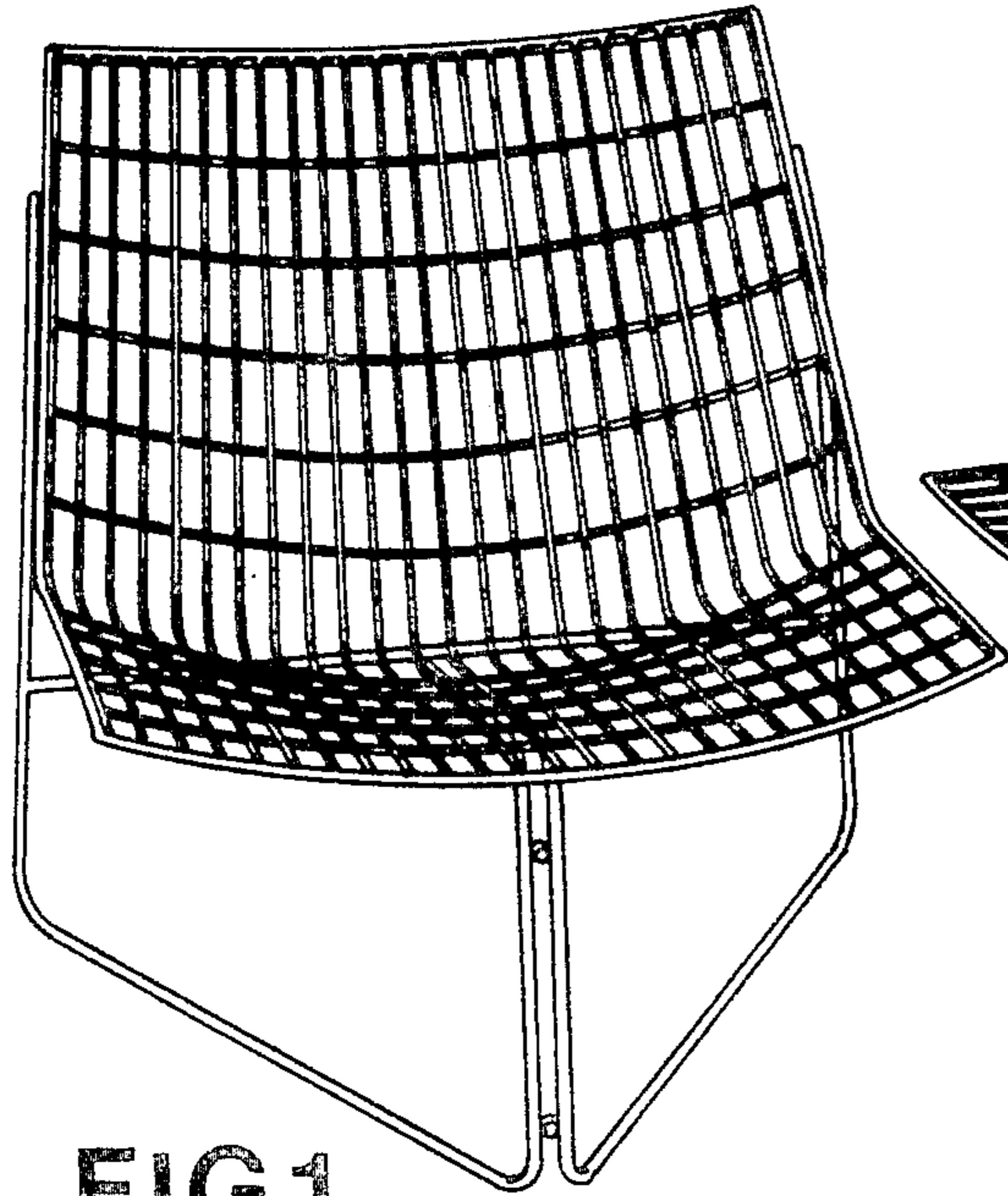


FIG. 1

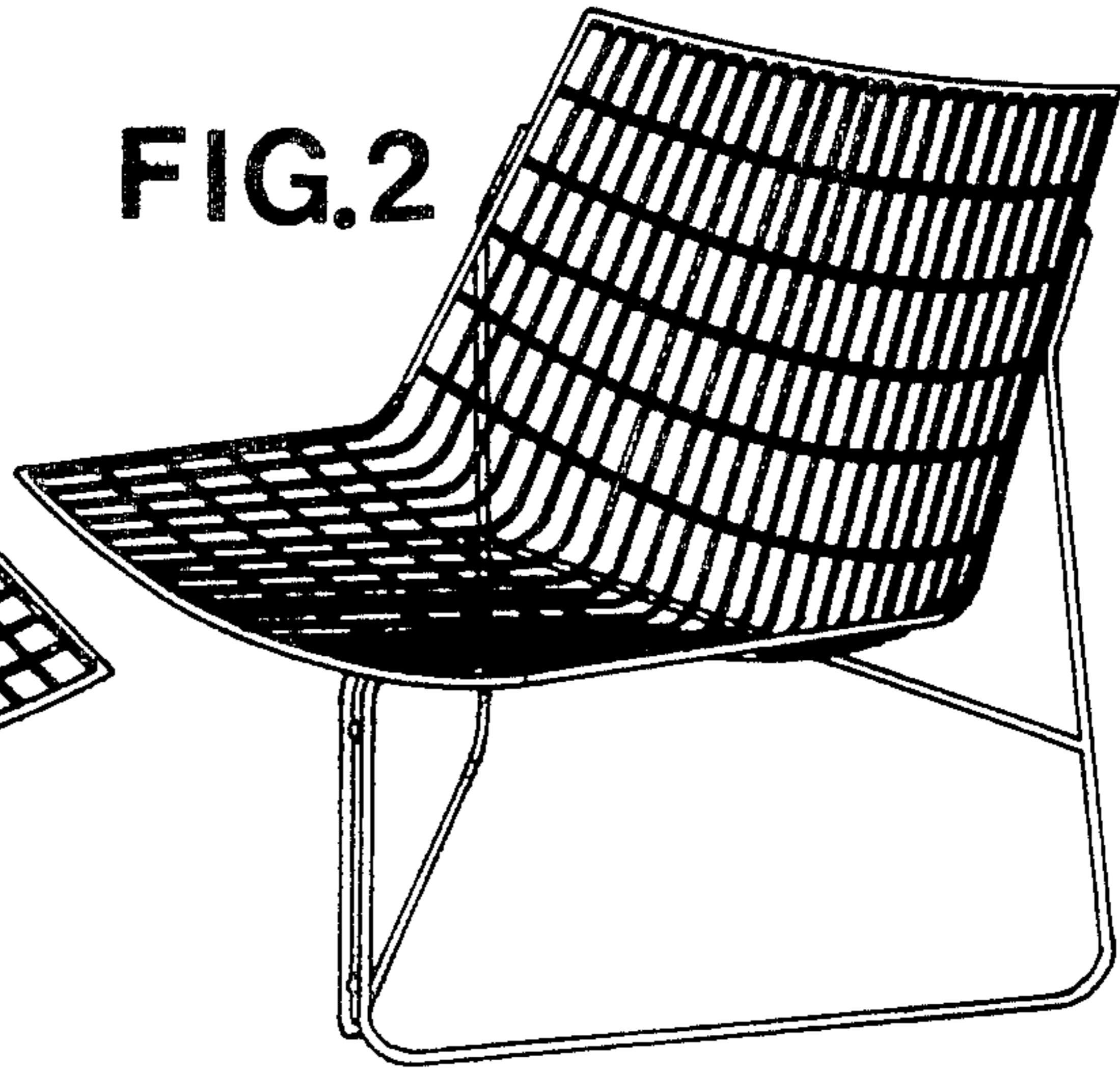


FIG. 2

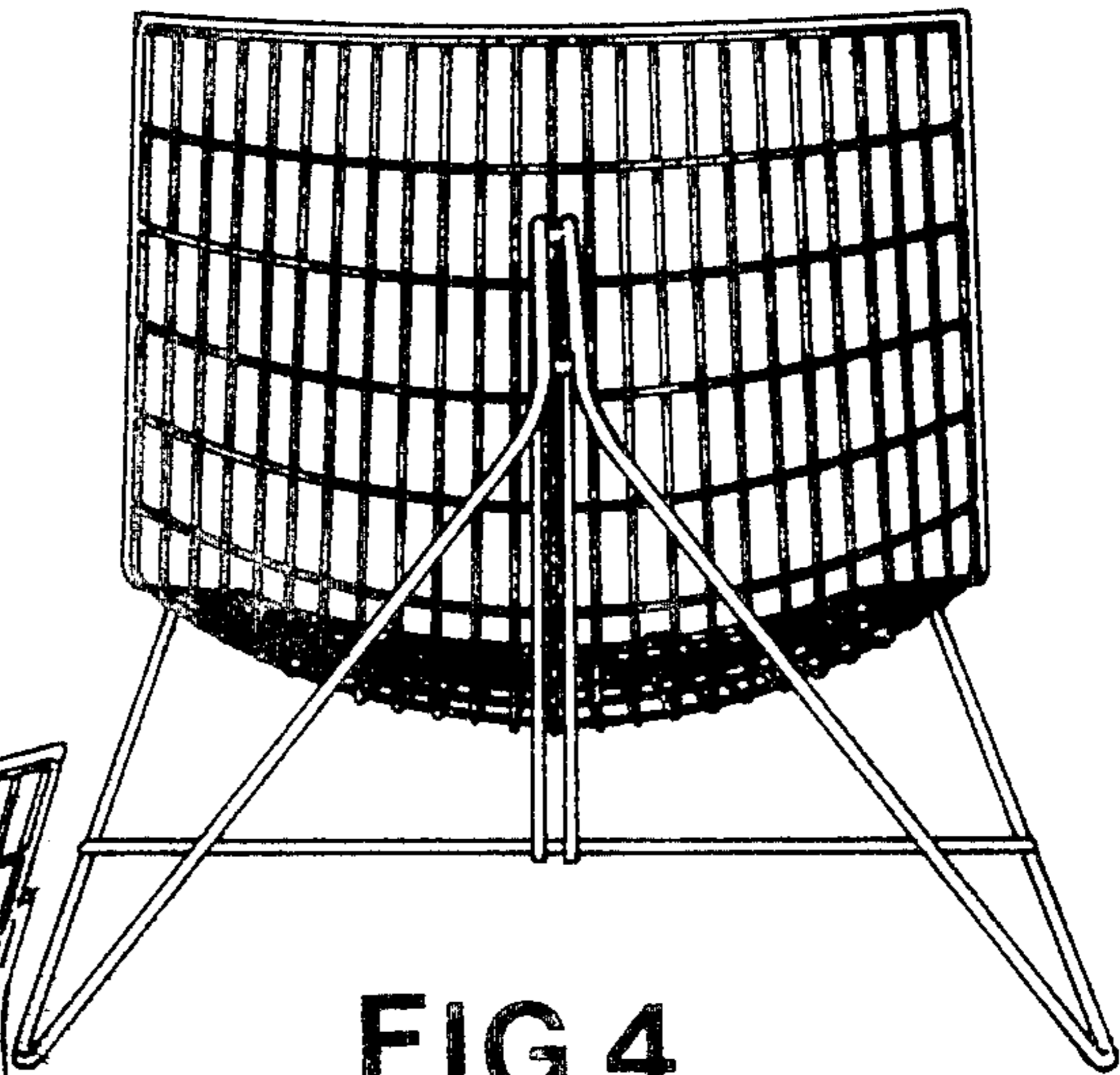


FIG 4

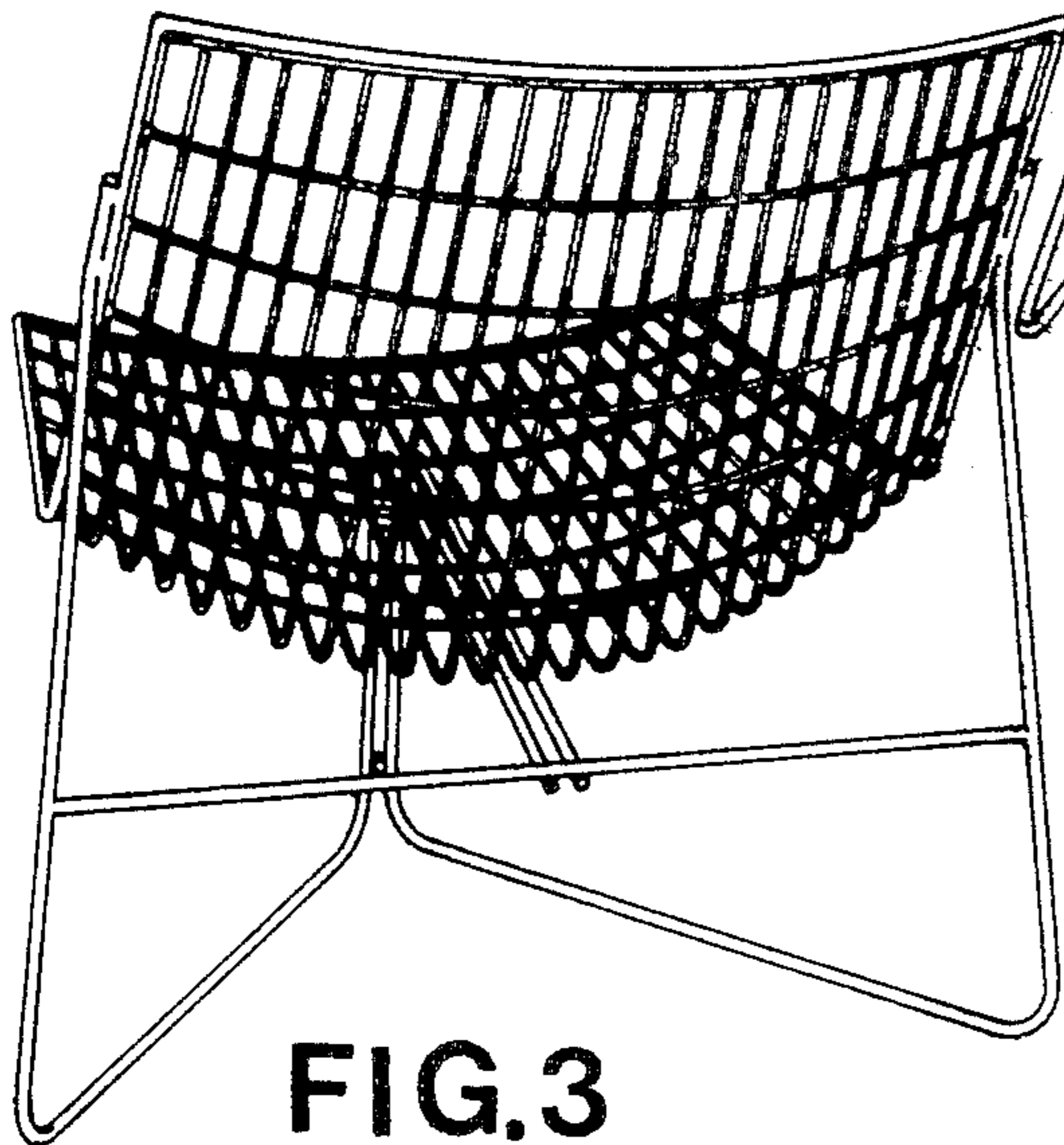


FIG. 3

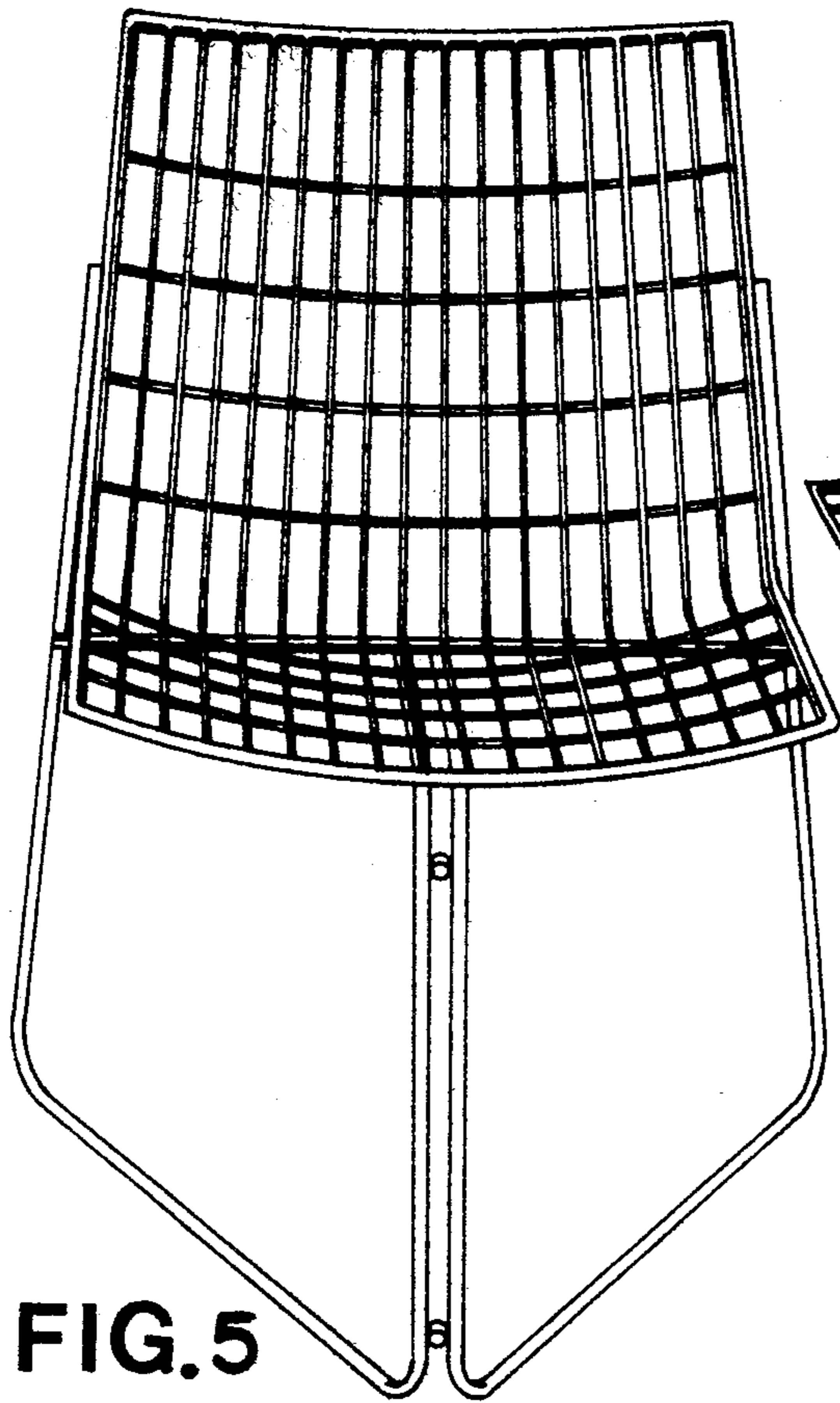


FIG. 5

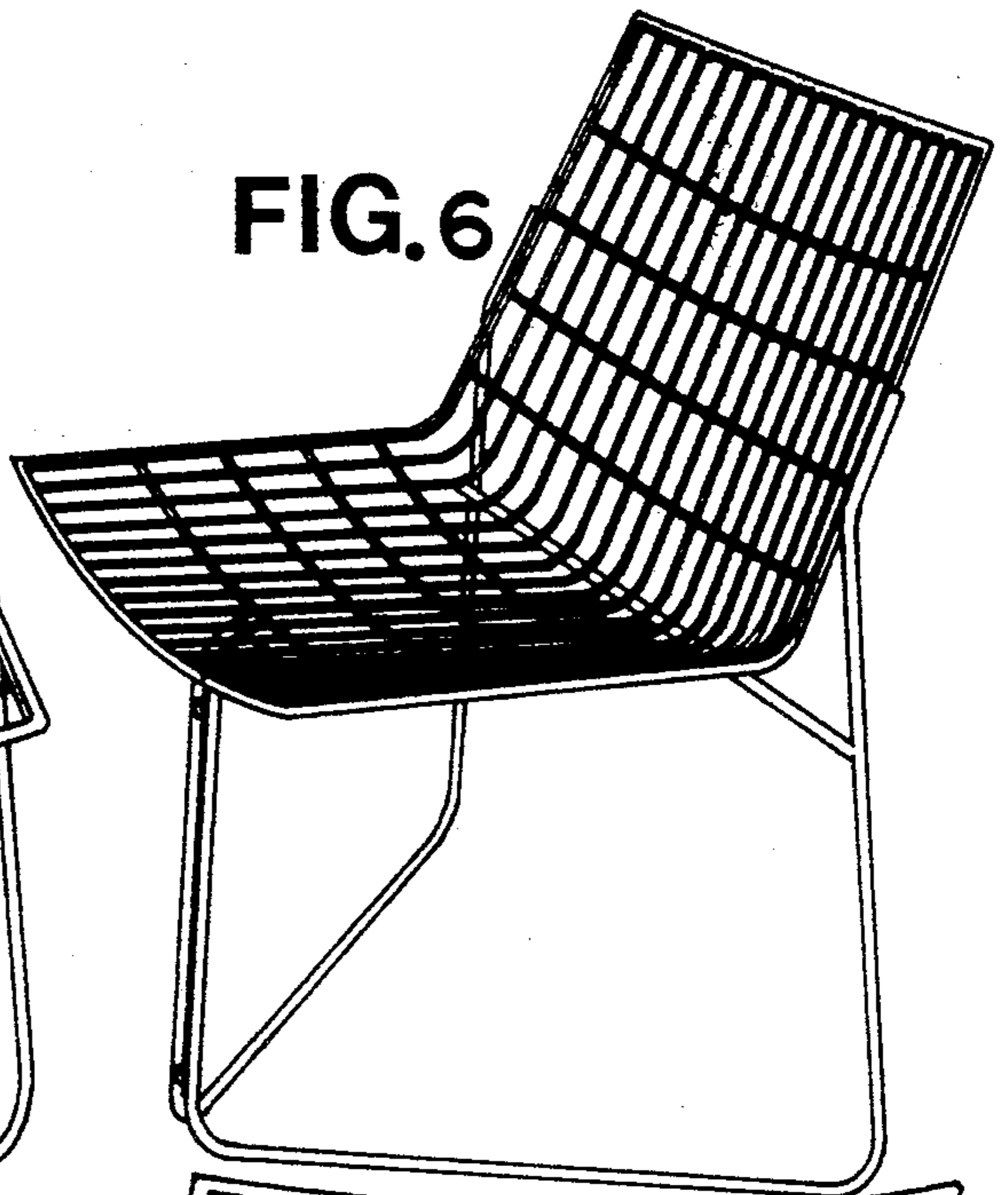


FIG. 6

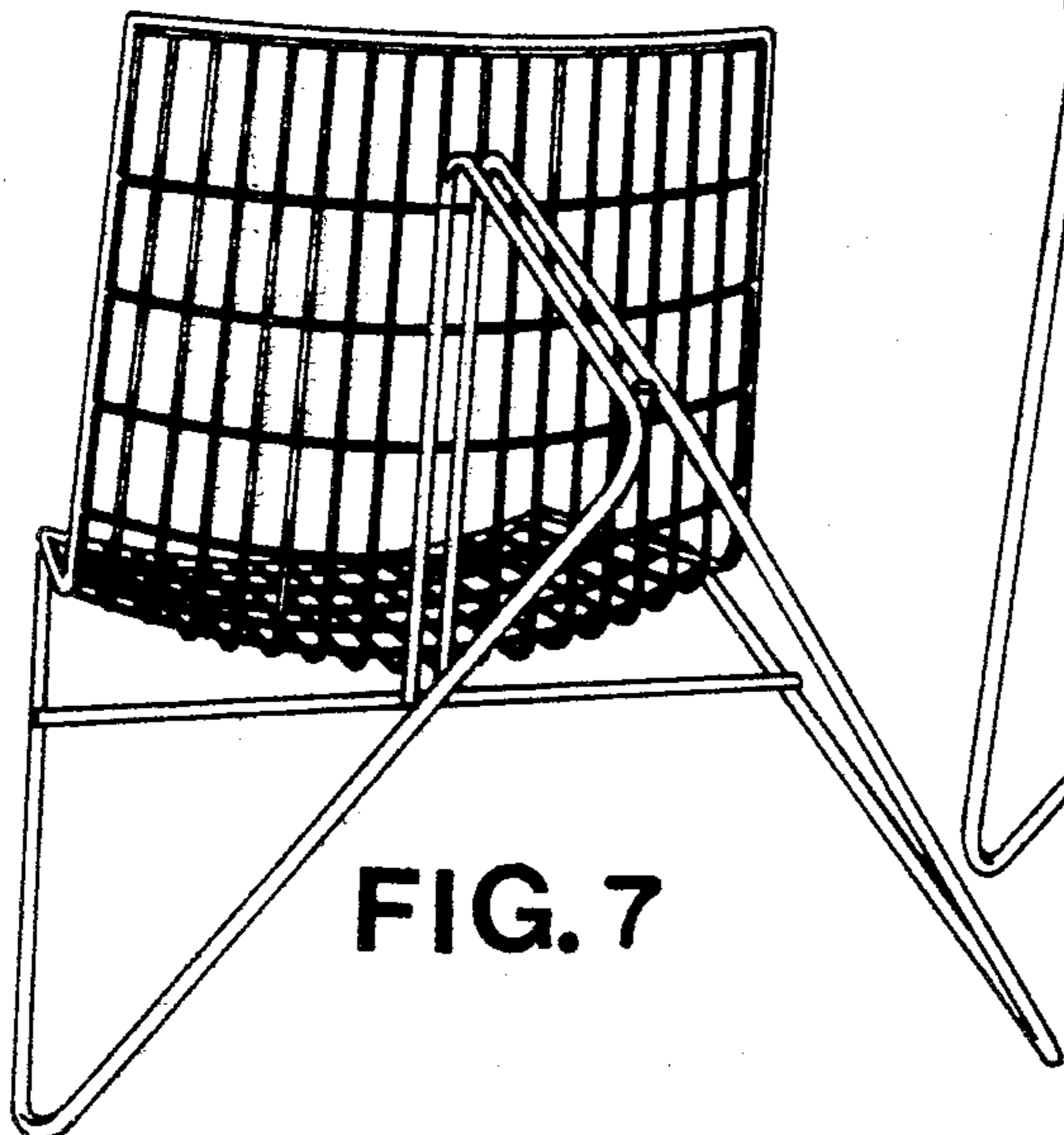


FIG. 7

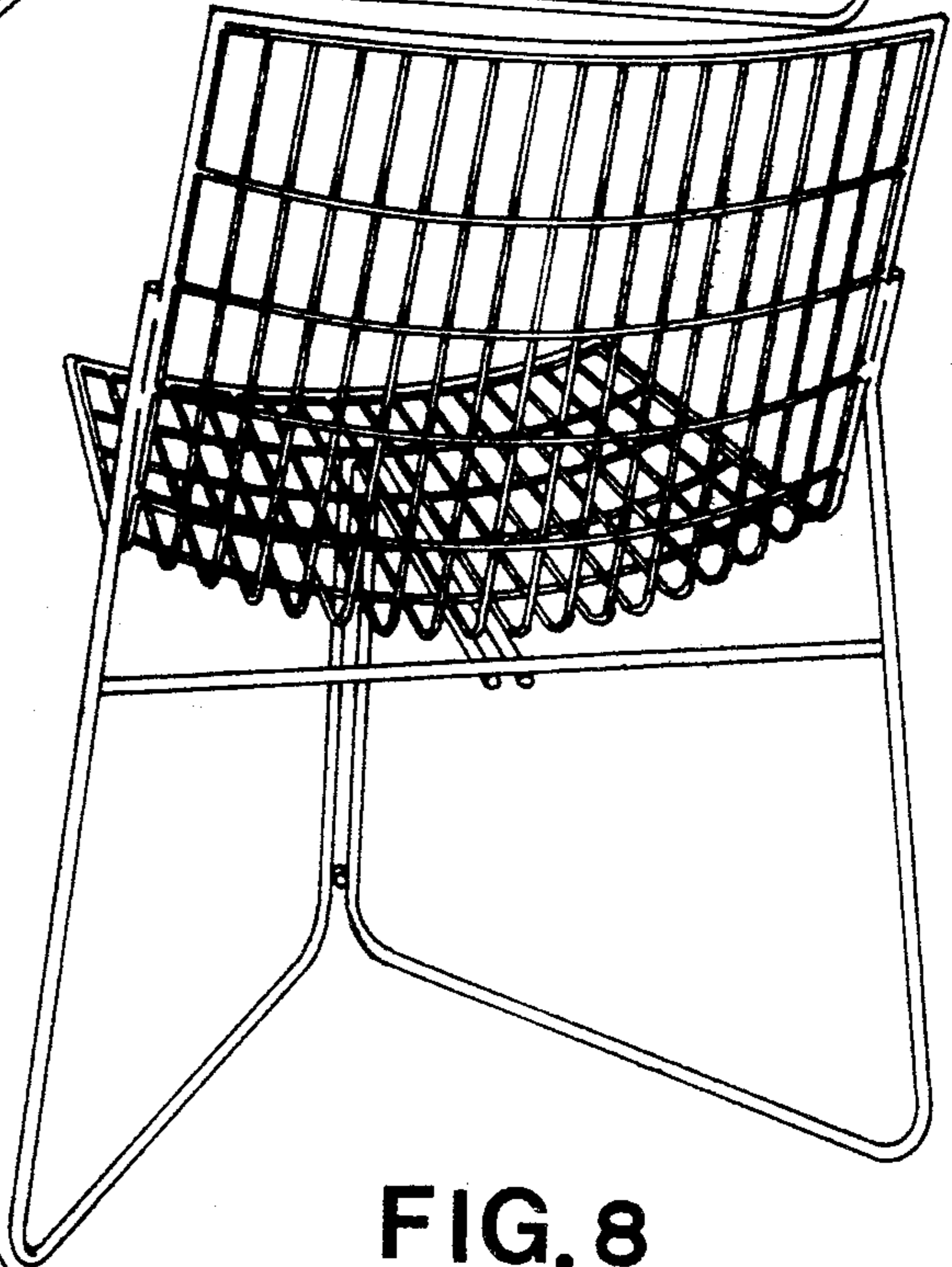


FIG. 8