

# United States Patent [19]

Duncan

[11] Patent Number: **Des. 279,336**

[45] Date of Patent: **\*\* Jun. 25, 1985**

[54] CHAIR

[75] Inventor: **Andrew Duncan**, Canterbury, Australia

[73] Assignee: **Pluto Furniture (Sales) Pty. Ltd.**, Victoria, Australia

[\*\*] Term: **14 Years**

[21] Appl. No.: **412,189**

[22] Filed: **Aug. 27, 1982**

[52] U.S. Cl. .... **D6/368; D6/362; D6/380**

[58] Field of Search ..... **D6/20, 26, 30, 31, 37, D6/41, 56, 67, 69, 70, 71, 73, 76**

[56] **References Cited**

### U.S. PATENT DOCUMENTS

D. 197,512 2/1964 Poisson ..... D6/75 X  
D. 205,507 8/1966 Melchior ..... D6/75

D. 225,495 12/1972 Lamb ..... D6/67  
D. 256,969 9/1980 Cassima ..... D6/56 X  
D. 271,727 12/1983 Opsvik ..... D6/17  
3,071,409 1/1963 Gibson et al. .... D6/67 X

*Primary Examiner*—Bruce W. Dunkins  
*Attorney, Agent, or Firm*—Cushman, Darby & Cushman

### [57] CLAIM

The ornamental design for a chair, as shown.

### DESCRIPTION

FIG. 1 is a front perspective view of a chair taken from above and showing my design;  
FIG. 2 is a rear perspective view thereof taken from below;  
FIG. 3 is a side elevational view; and  
FIG. 4 is a front elevational view thereof.

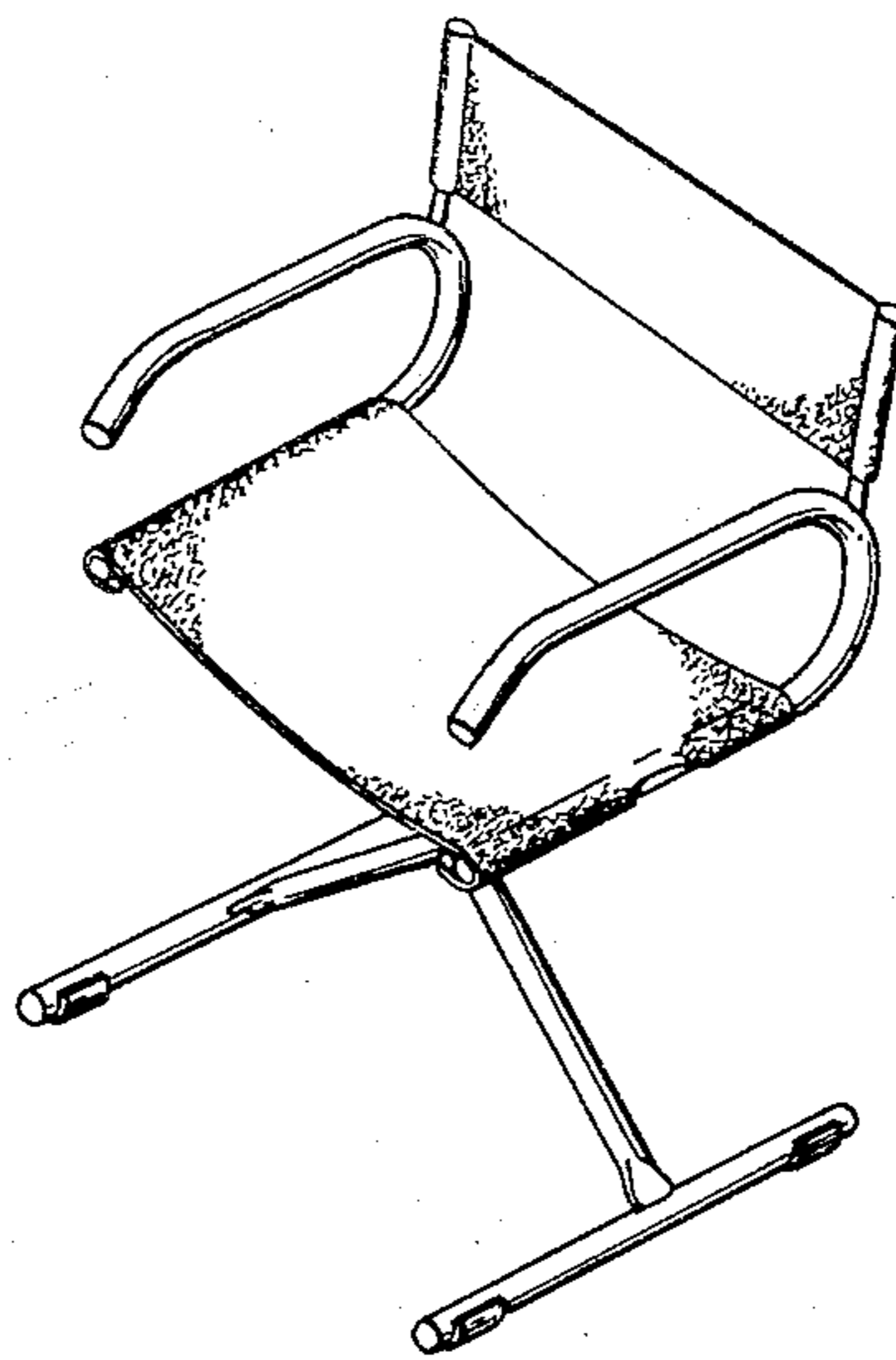


FIG. 1.

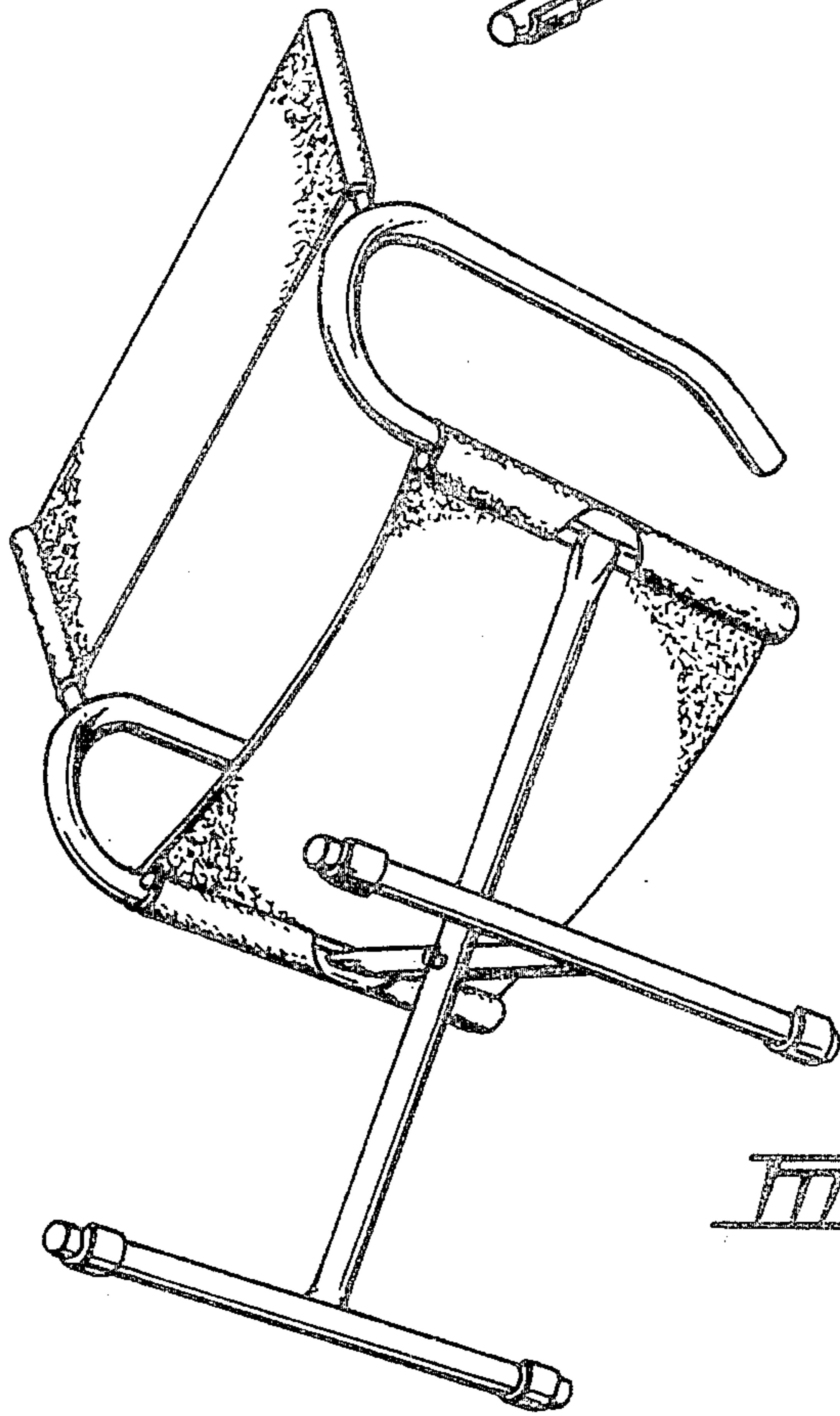
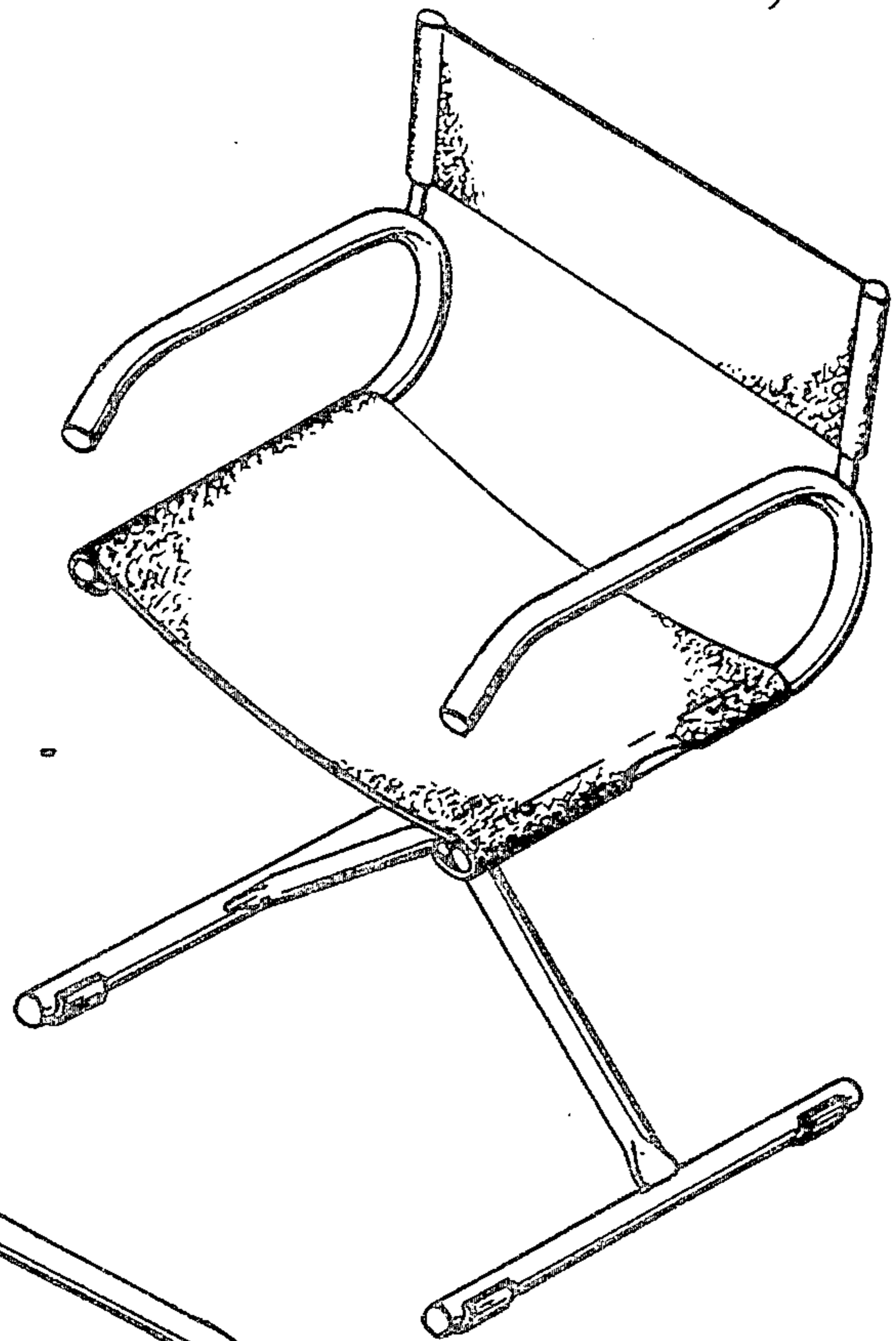


FIG. 2.

