

[54] CHAISE FRAME

[75] Inventors: Richard Frinier, Longbeach; Eugene A. Criqui, Covina, both of Calif.

[73] Assignee: Brown Jordan Company, El Monte, Calif.

[**] Term: 14 Years

[21] Appl. No.: 400,316

[22] Filed: Jul. 21, 1982

[52] U.S. Cl. D6/361

[58] Field of Search D6/37, 38, 191

[56] References Cited

U.S. PATENT DOCUMENTS

- D. 233,810 12/1974 Uyeda D6/38
- D. 268,235 3/1983 Bergquist D6/38

OTHER PUBLICATIONS

Interiors, Dec. 1979, p. 30, Chaise Lounge. Medallion Brochure, Dynasty 2 GP. Apr. 15, 1980, Chaise No. 2309.

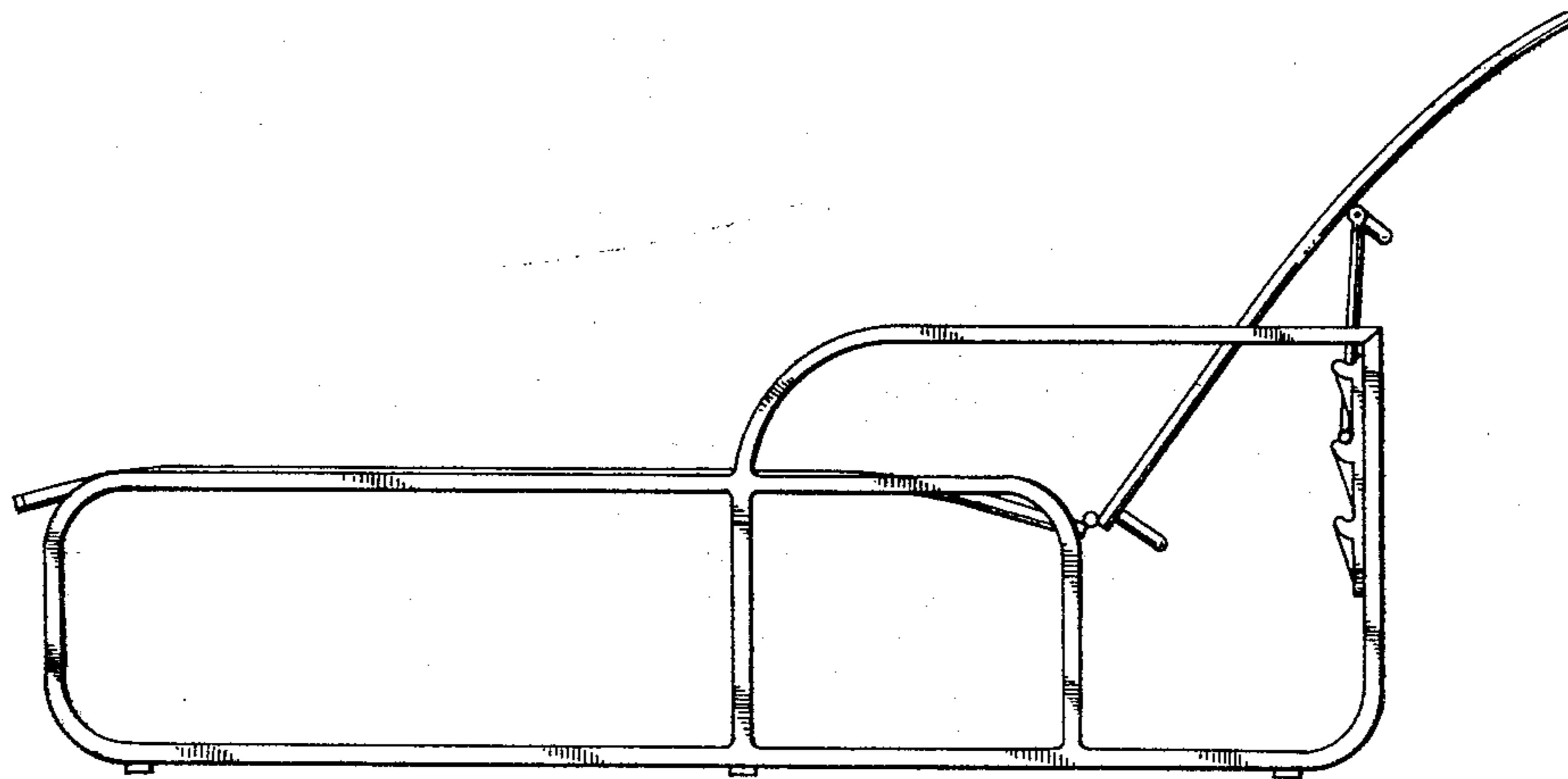
Primary Examiner—Bruce W. Dunkins
Attorney, Agent, or Firm—Christie, Parker & Hale

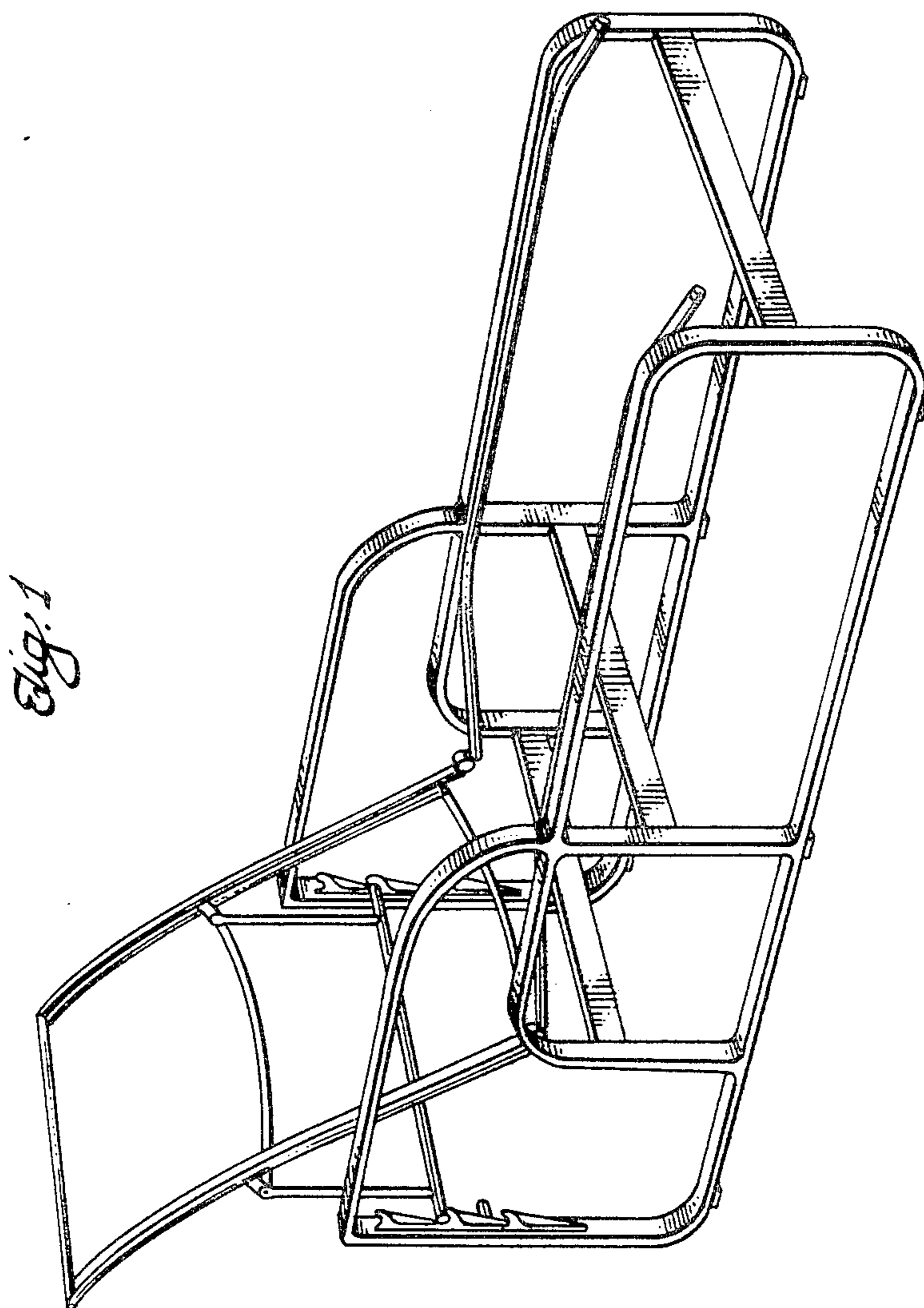
[57] CLAIM

The ornamental design for a chaise frame, as shown and described.

DESCRIPTION

FIG. 1 is a perspective view of the chaise frame showing my new design;
FIG. 2 is a right side elevational view of the chaise frame, the opposite side being a mirror image thereof;
FIG. 3 is a front elevational view of the chaise frame; and
FIG. 4 is a rear elevational view of the chaise frame.





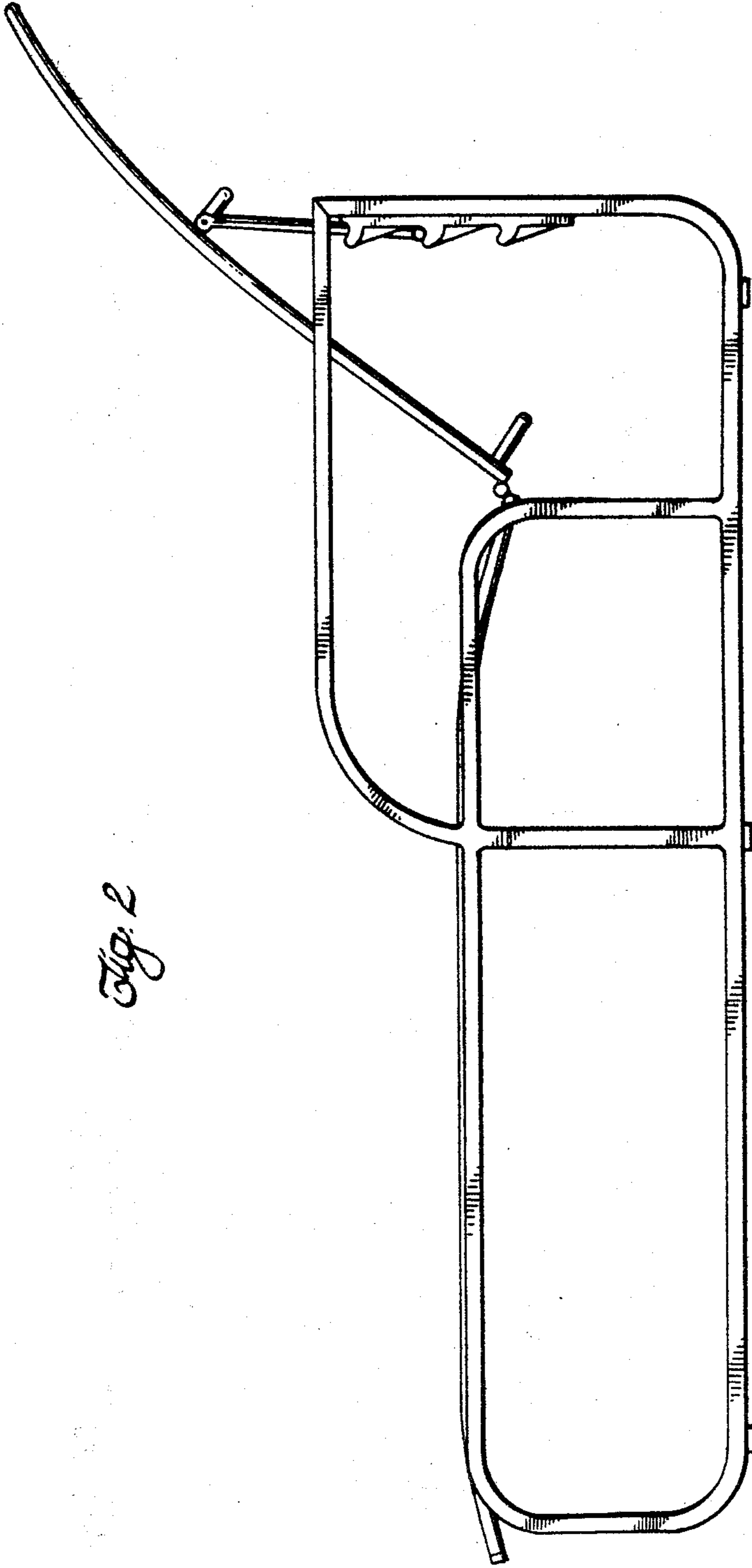


Fig. 2

