

[54] **COMBINED ATTACHE CASE AND TRAVELLING DESK**

[76] **Inventor: Edward L. Gerch, 1228 Emerson St., Evanston, Ill. 60201**

[**] **Term: 14 Years**

[21] **Appl. No.: 460,277**

[22] **Filed: Jan. 24, 1983**

[52] **U.S. Cl. D3/76; D3/77**

[58] **Field of Search D3/30.1, 35, 42, 71, D3/74, 76, 77, 78; 190/108-115, 119, 900, 901, 11; 312/200, 241**

[56] **References Cited**

U.S. PATENT DOCUMENTS

3,082,049	3/1963	Lifton	312/200
3,104,289	9/1963	Segel	179/100.1
3,112,017	11/1963	Lifton	190/11
3,177,991	4/1965	Walker	190/11
3,773,154	11/1973	Mitchell	190/11
3,833,098	9/1974	Alderman	190/11
3,904,003	9/1975	Margerum	190/11

3,912,055	10/1975	Malooly	190/109
4,433,761	2/1984	Winter et al.	190/109
4,470,620	9/1984	Gerch	190/11

Primary Examiner—George P. Word

[57] **CLAIM**

The ornamental design for a combined attache case and travelling desk, as shown and described.

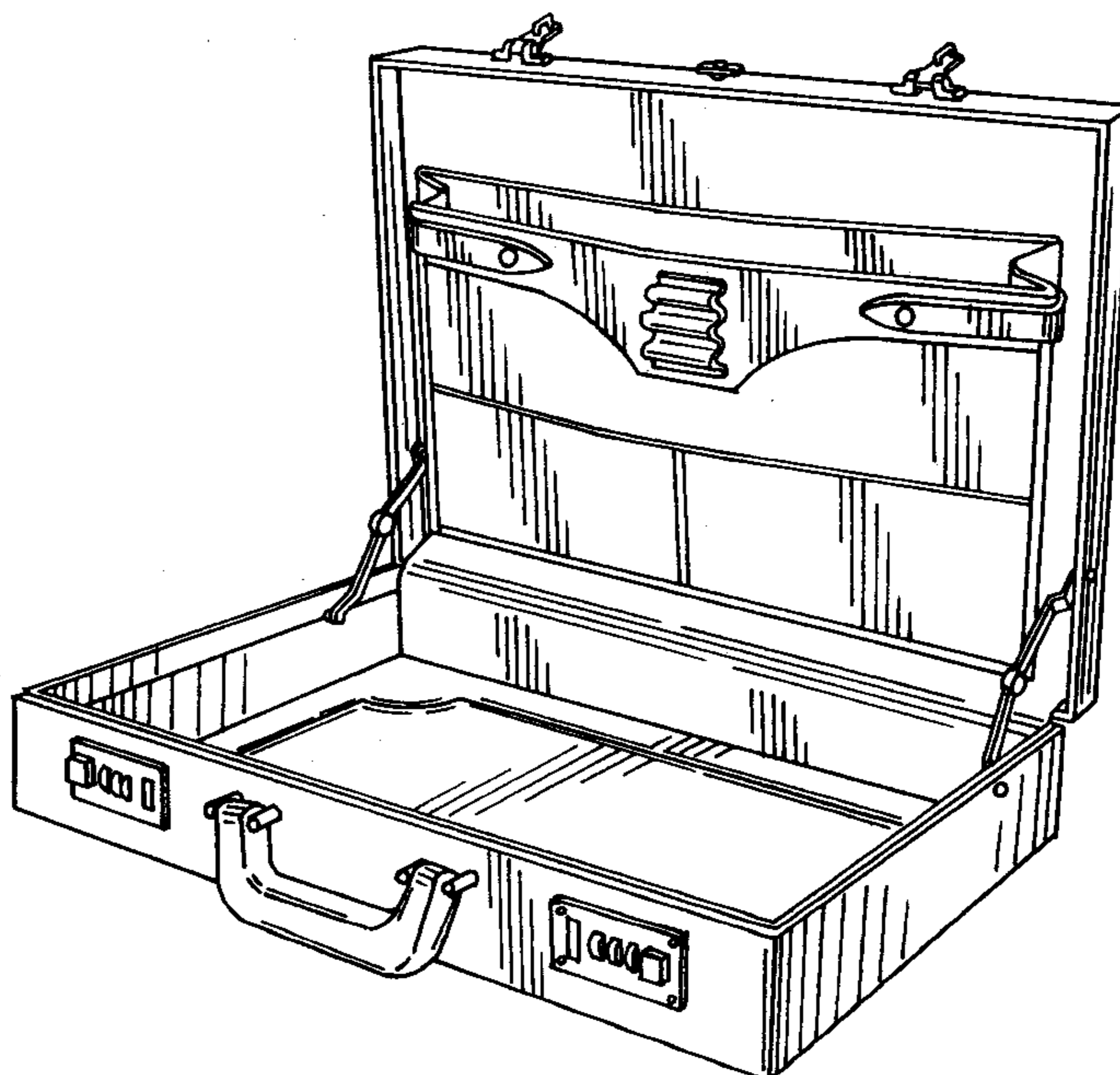
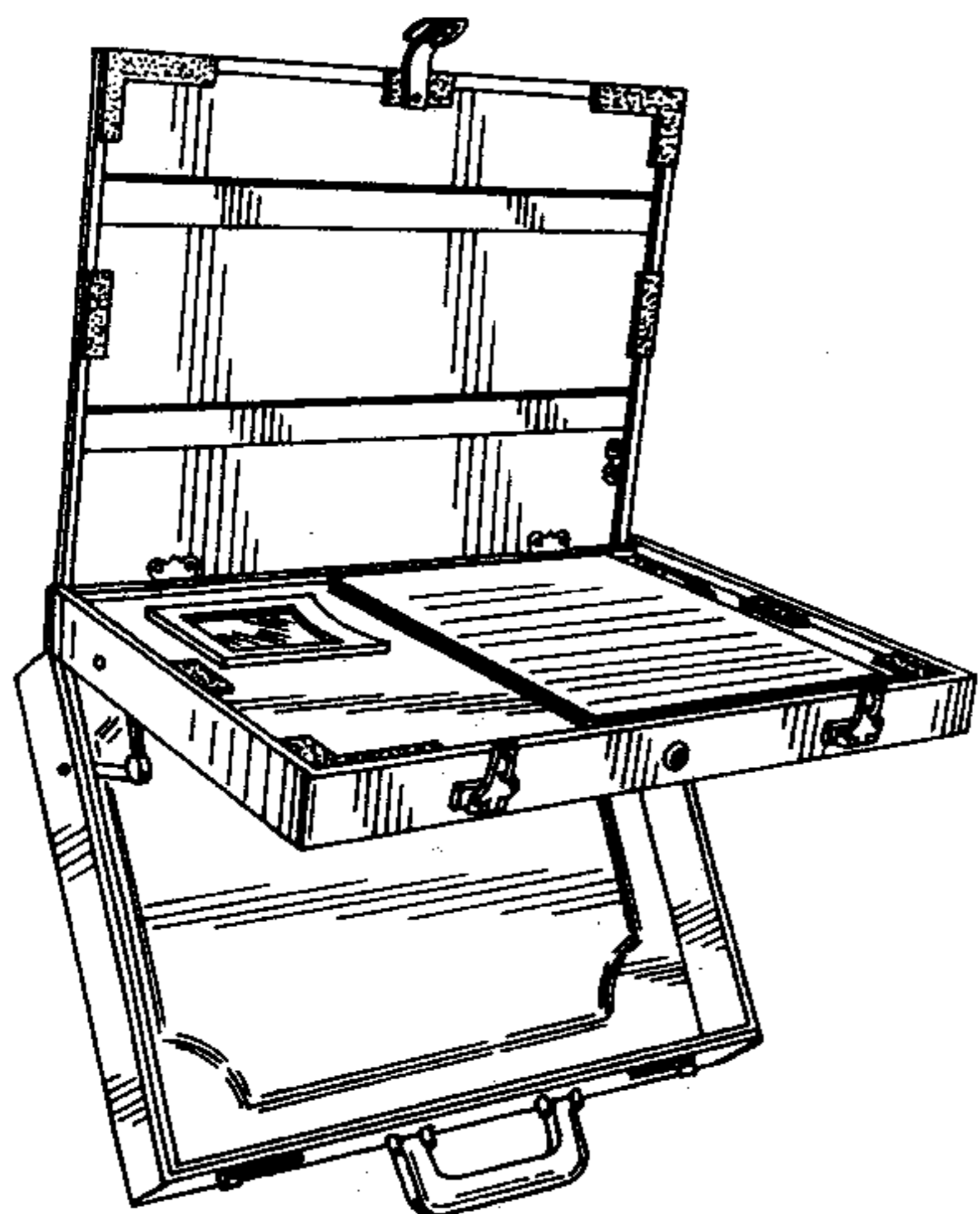
DESCRIPTION

FIG. 1 is a perspective view of a combined attache case and travelling desk showing my new design in a closed vertical position.

FIG. 2 is a perspective view of the combined attache case and travelling desk shown in FIG. 1, in an horizontal position with a central storage compartment thereof opened.

FIG. 3 is a front perspective view of the combined attache case and travelling desk with the travelling desk compartment and the central storage compartment shown in open position; and

FIG. 4 is a rear perspective view of the combined attache case and travelling desk showing the top, bottom, and back side thereof.



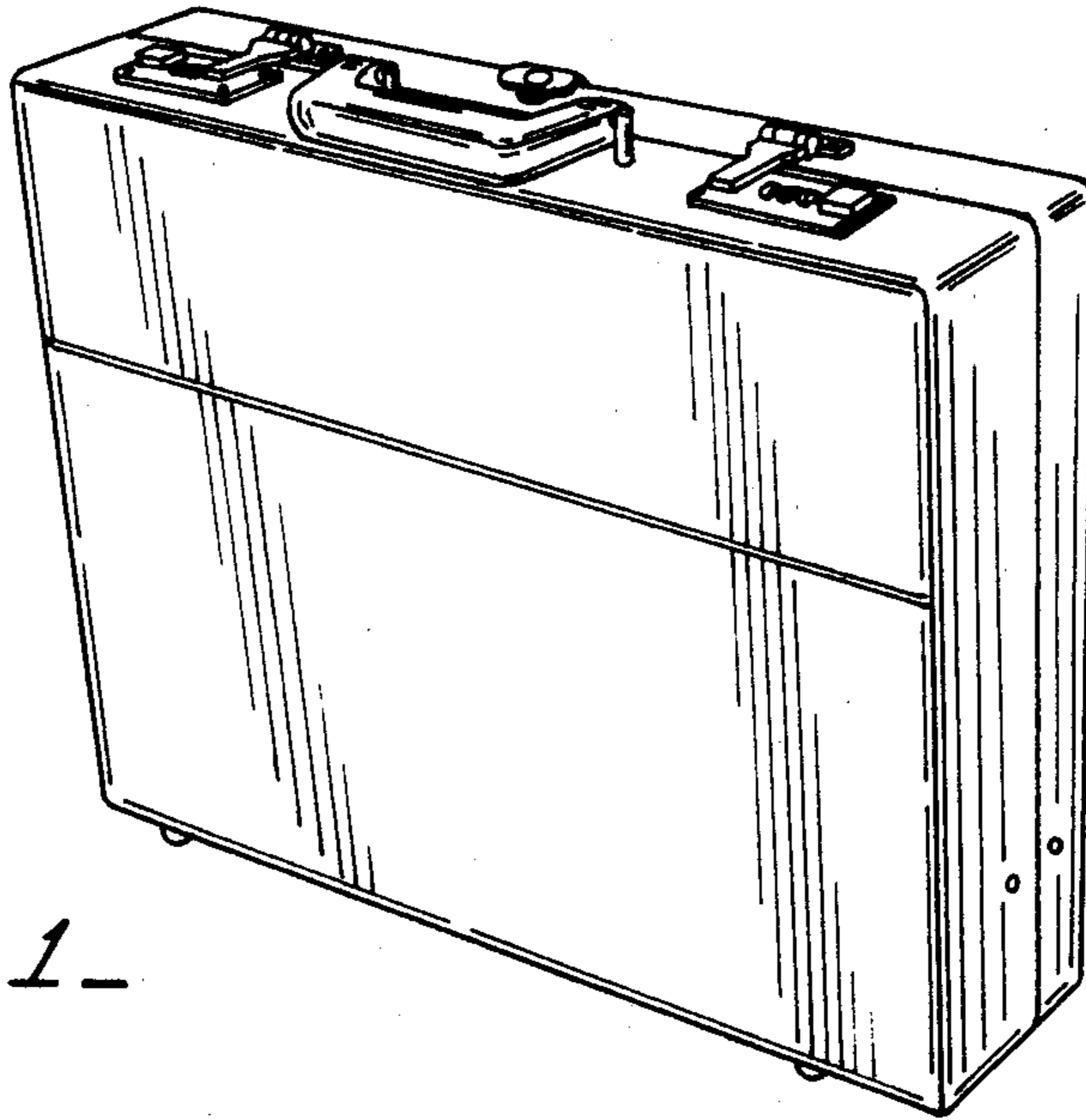


FIG. 1.

FIG. 2.

