

[54] SUPPORT FOR MOUNTING RADIOS IN A VEHICLE HAVING BENCH SEATS

[76] Inventor: Stephen Dzak, 414 Muir Dr., Joliet, Ill. 60441

[**] Term: 14 Years

[21] Appl. No.: 422,983

[22] Filed: Sep. 24, 1982

[52] U.S. Cl. D3/40

[58] Field of Search D12/155; D3/40; 224/275, 42.11, 42.42 R; 312/7.1; 296/37.8, 37.15

[56] References Cited

U.S. PATENT DOCUMENTS

- D. 251,035 2/1979 Hart D12/155
- 3,650,444 3/1972 Gibson et al. 224/42.42 R

Primary Examiner—James M. Gandy
Attorney, Agent, or Firm—Ernest Kettelson

[57] CLAIM

The ornamental design for a support for mounting radios in a vehicle having bench seats, as shown and described.

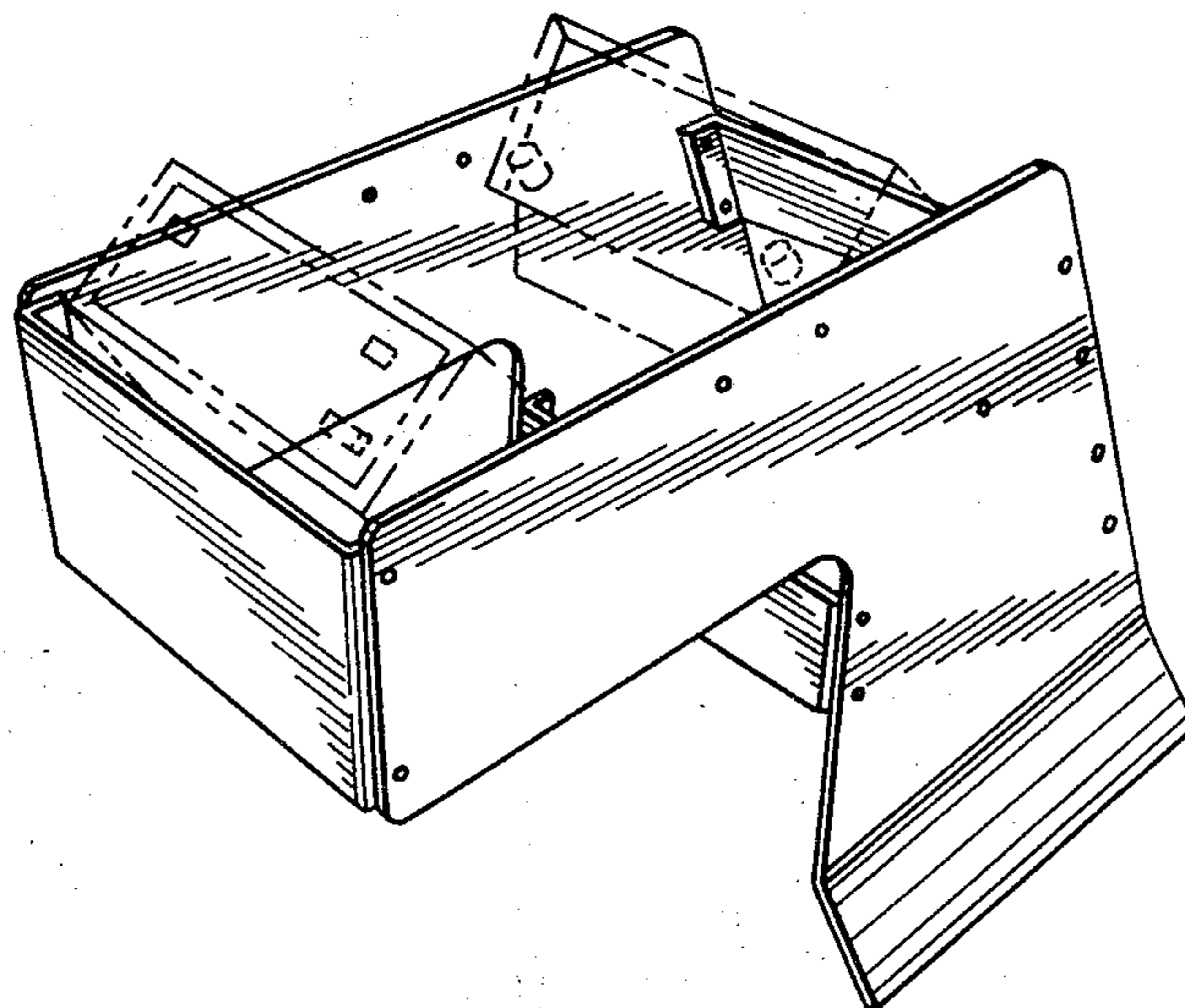
DESCRIPTION

FIG. 1 is a front perspective view of a support for mounting radios in a vehicle having bench seats showing my new design it being understood that the broken lines are for illustrative purposes only;

FIG. 2 is a side elevation view thereof, the opposite side being a mirror image of that shown; and

FIG. 3 is a front elevation view thereof.

The two rear horizontal panels of the support are understood to be flat and unornamented.



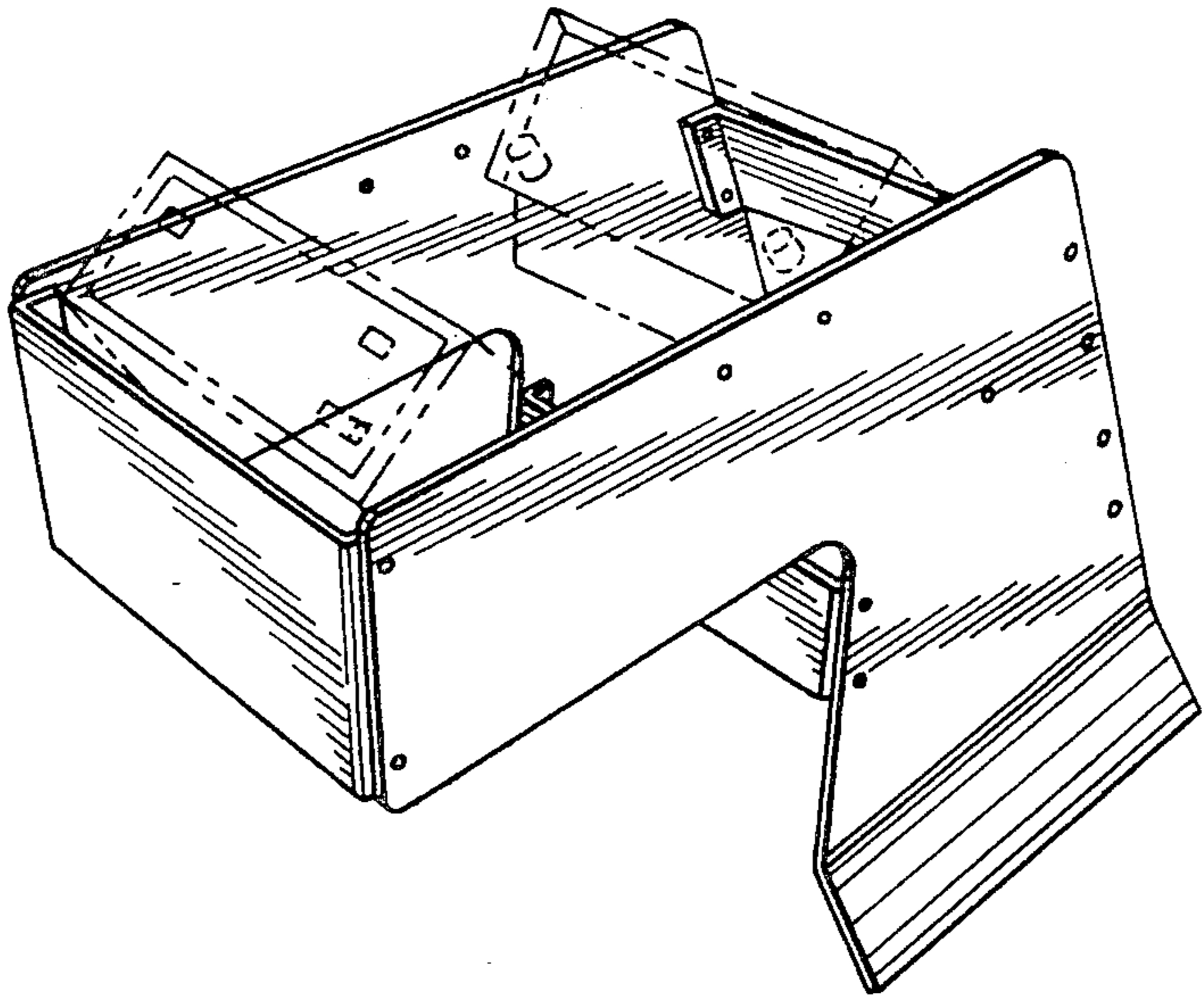


FIG. 1

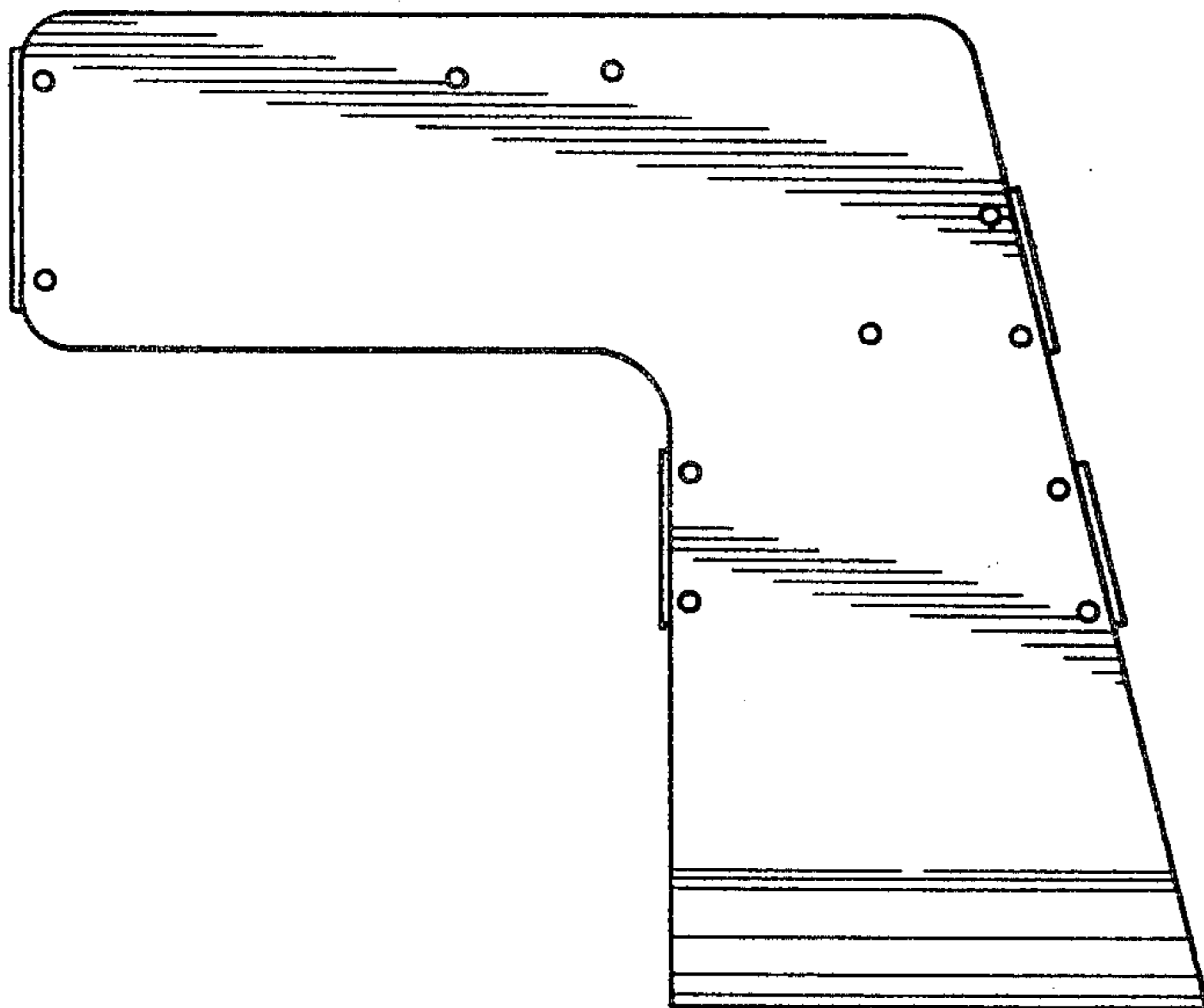


FIG. 2

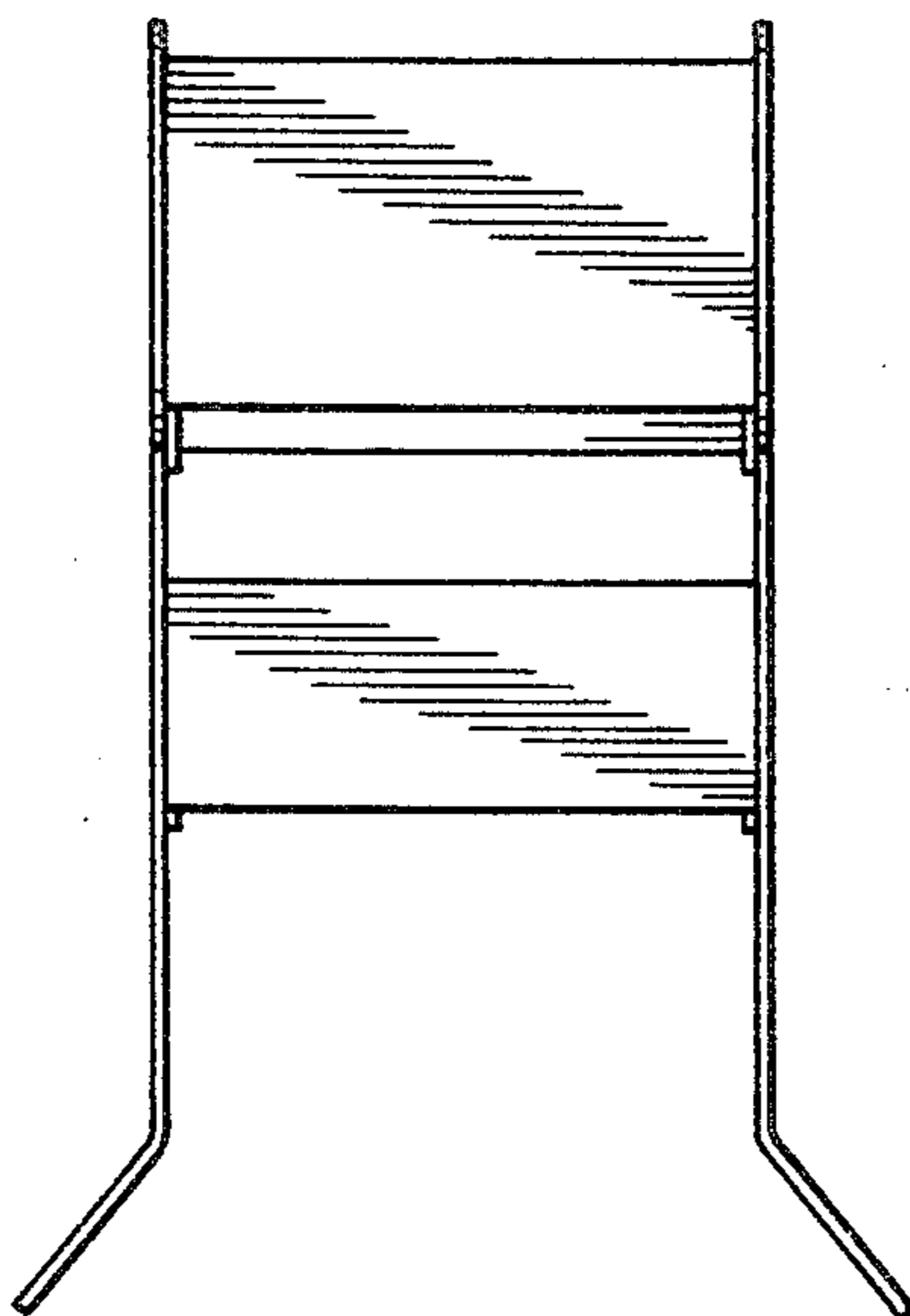


FIG. 3