

[54] COIN TRAY FOR VEHICLES

[75] Inventor: Yoshihisa Tanaka, Ichikawa, Japan

[73] Assignee: Tanaka Manufacturing Co., Ltd.,  
Tokyo, Japan

[\*\*] Term: 14 Years

[21] Appl. No.: 458,852

[22] Filed: Jan. 17, 1983

[52] U.S. Cl. .... D99/34

[58] Field of Search ..... D99/34; D3/61, 63;  
133/5 A, 8 B, 8 C

[56] References Cited

U.S. PATENT DOCUMENTS

- D. 194,241 12/1962 Knedler ..... D99/34 X
- D. 202,247 9/1965 Bergh ..... D3/61
- D. 220,644 5/1971 Robinson ..... D99/34 X

OTHER PUBLICATIONS

JC Whitney Catalog, 1979, p. 45, Console for Vans.  
Miles Kimball Co. Catalog, 9/73, p. 72, Coin Purse.

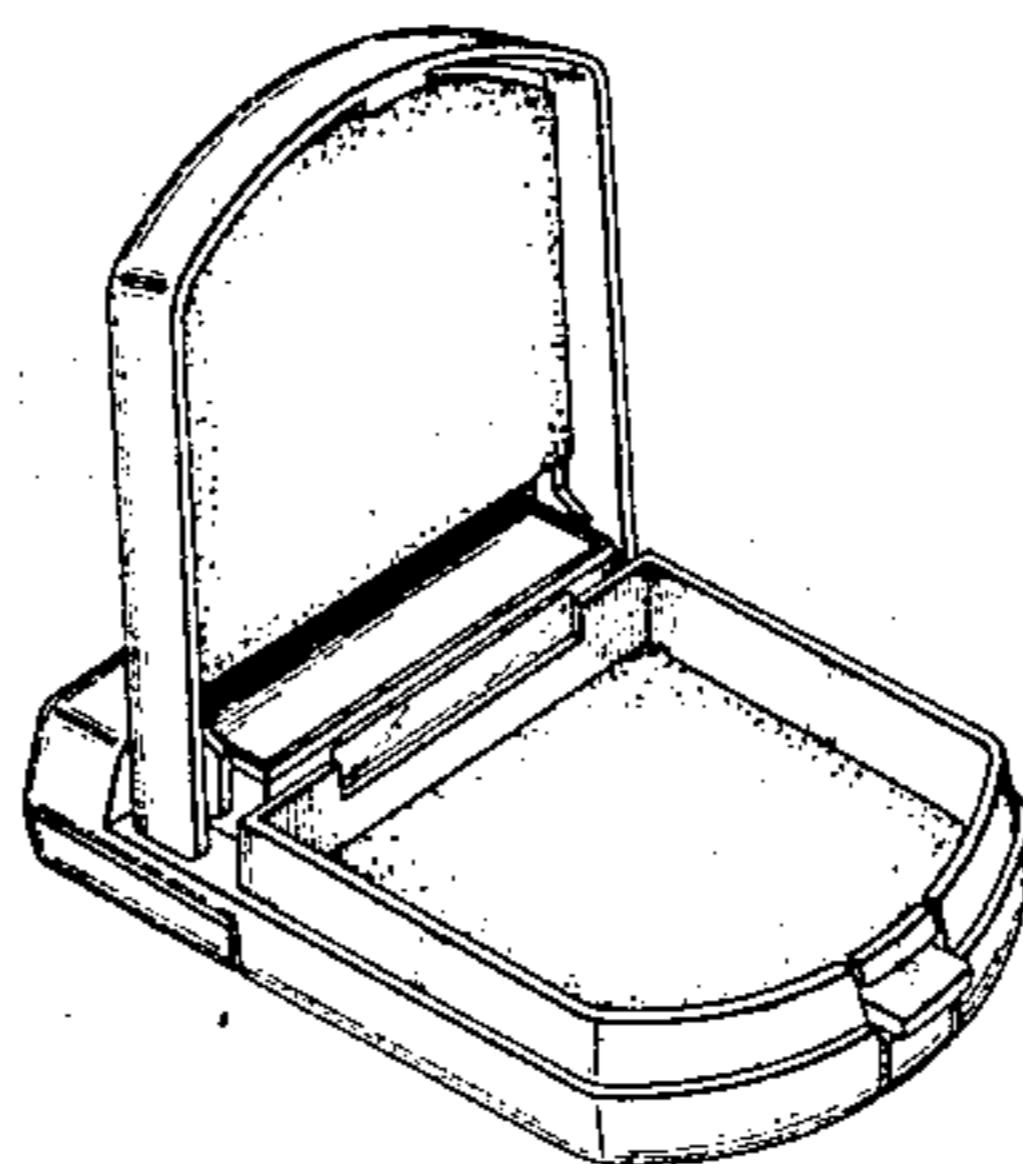
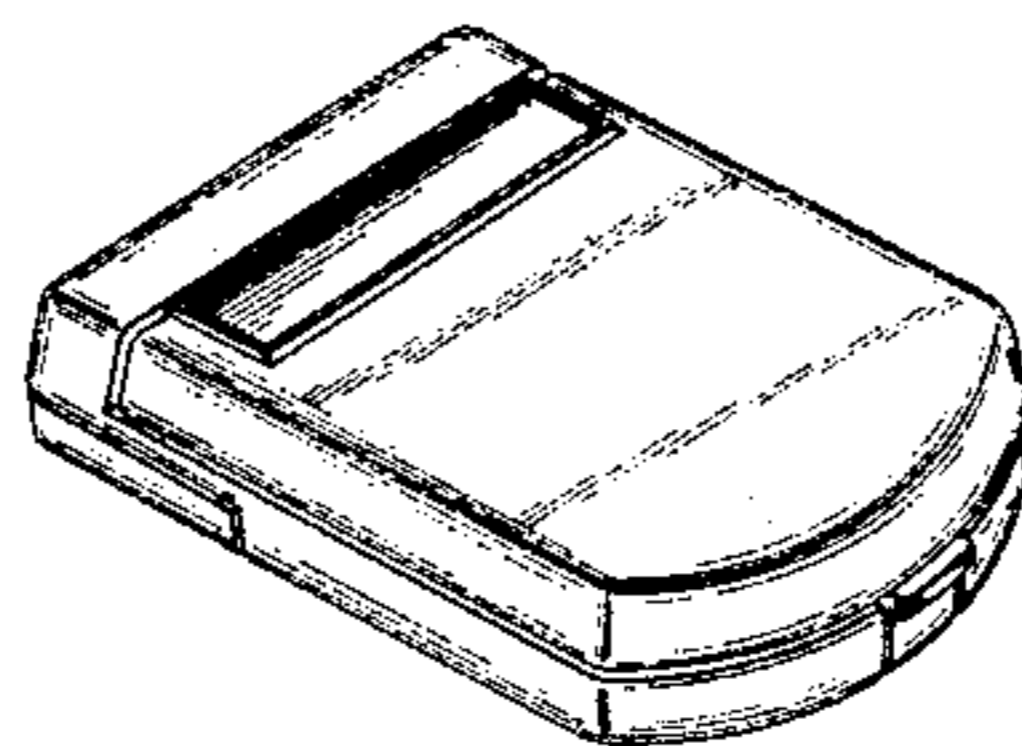
Primary Examiner—Bernard Ansher

[57] CLAIM

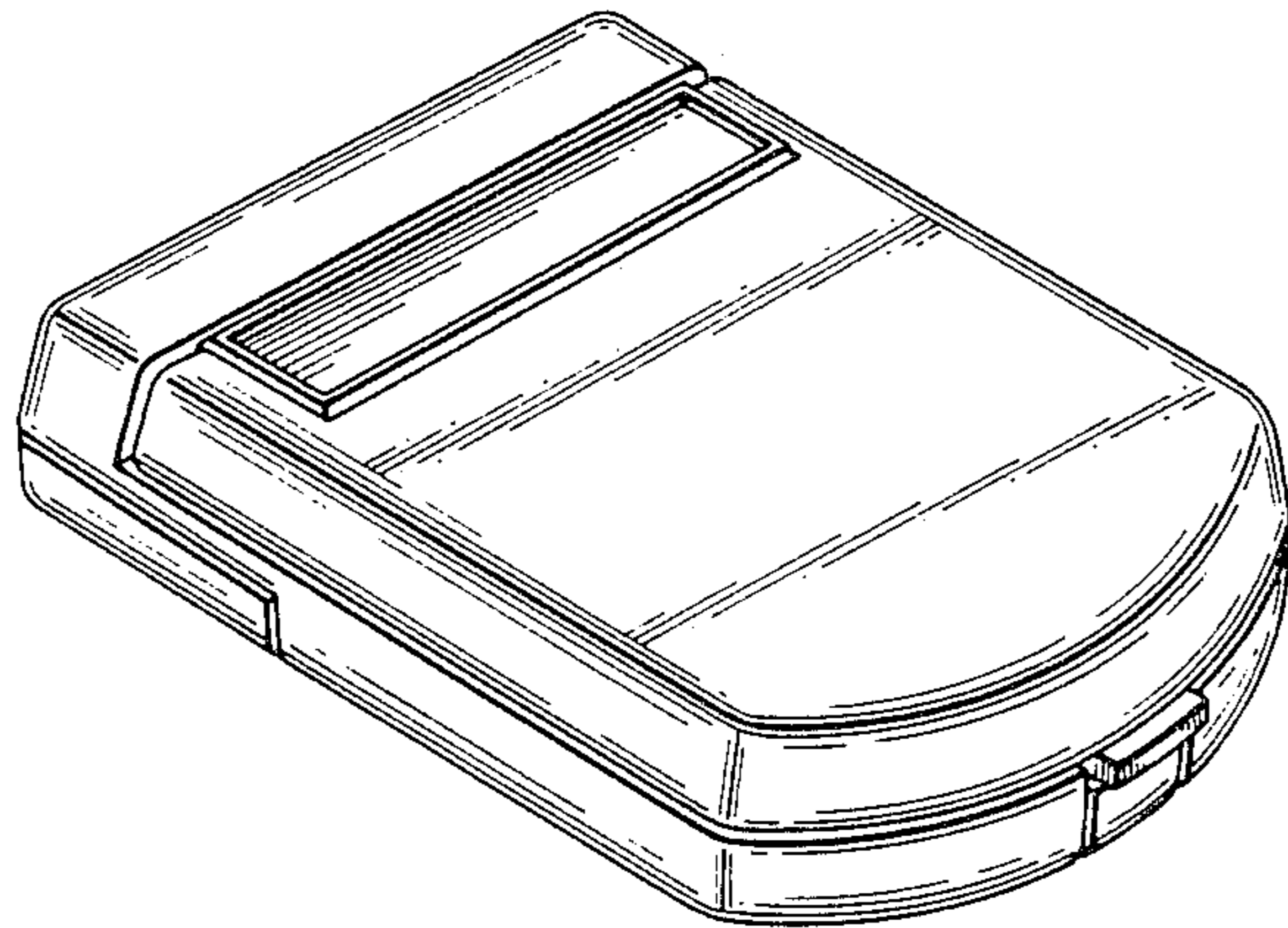
The ornamental design for coin tray for vehicles, as shown and described.

DESCRIPTION

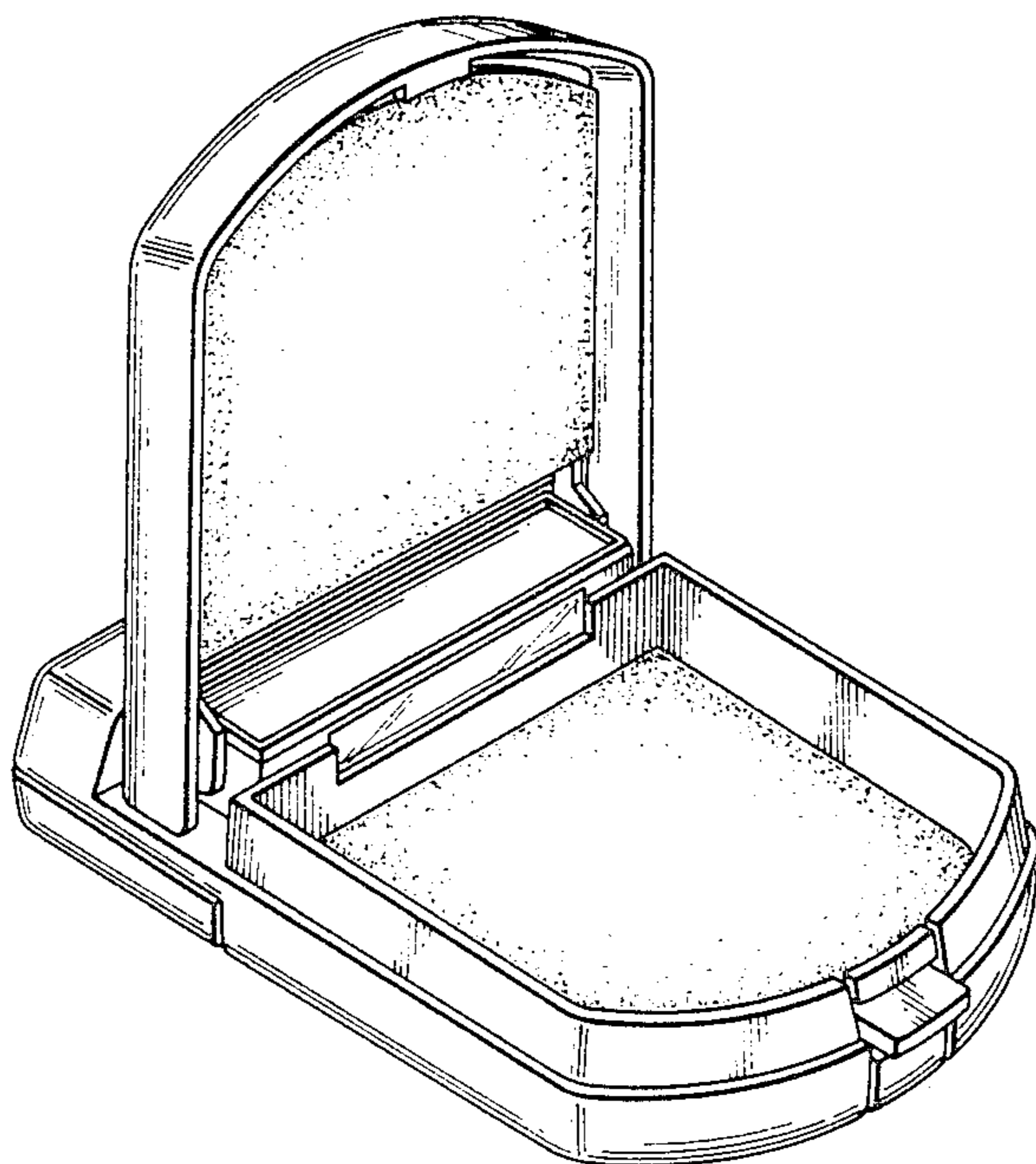
FIG. 1 is a top, front, left side perspective view of a coin tray for vehicles showing my new design;  
 FIG. 2 is a perspective view thereof in an open position;  
 FIG. 3 is a front elevation view thereof;  
 FIG. 4 is a rear elevation view thereof;  
 FIG. 5 is a top plan view thereof;  
 FIG. 6 is a bottom plan view thereof;  
 FIG. 7 is a right side view thereof.



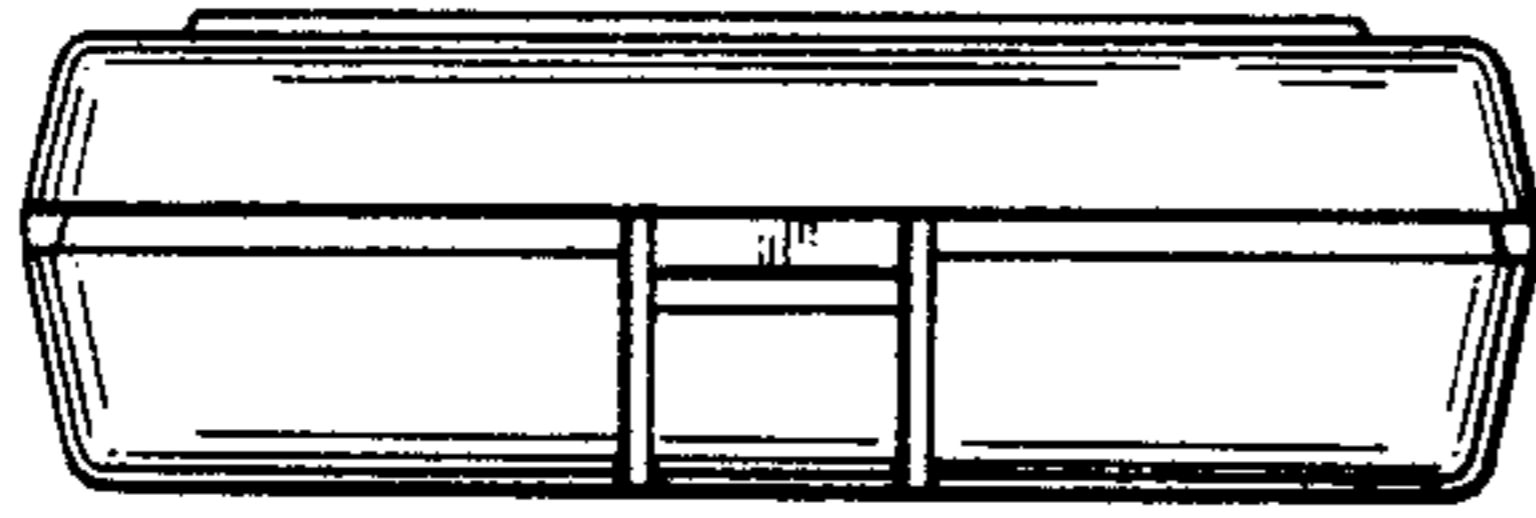
**FIG. 1**



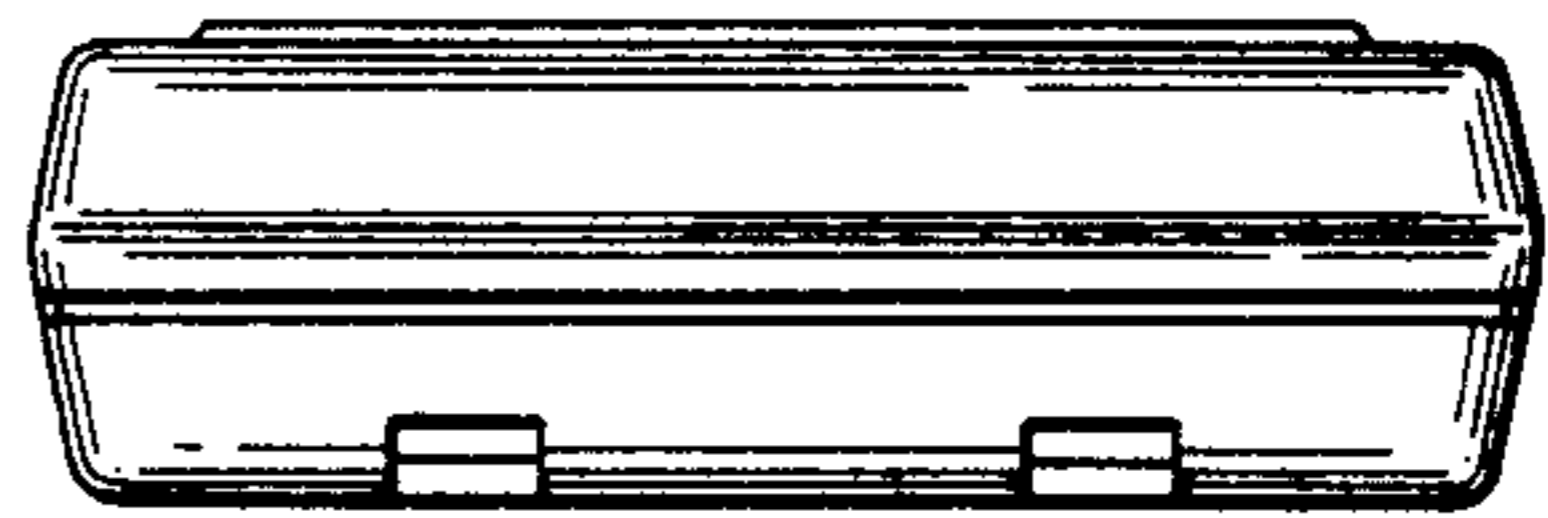
**FIG. 2**



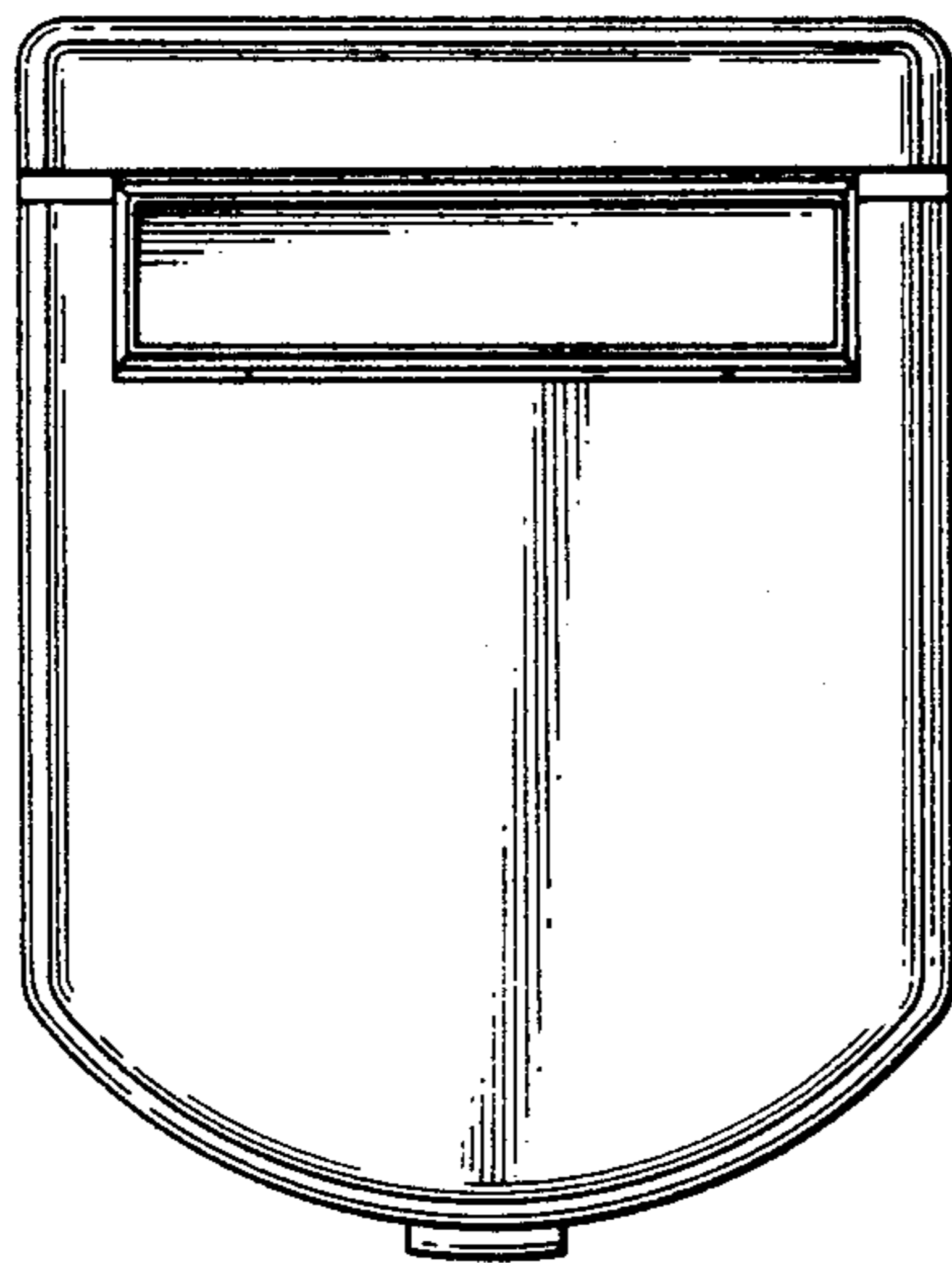
**FIG. 3**



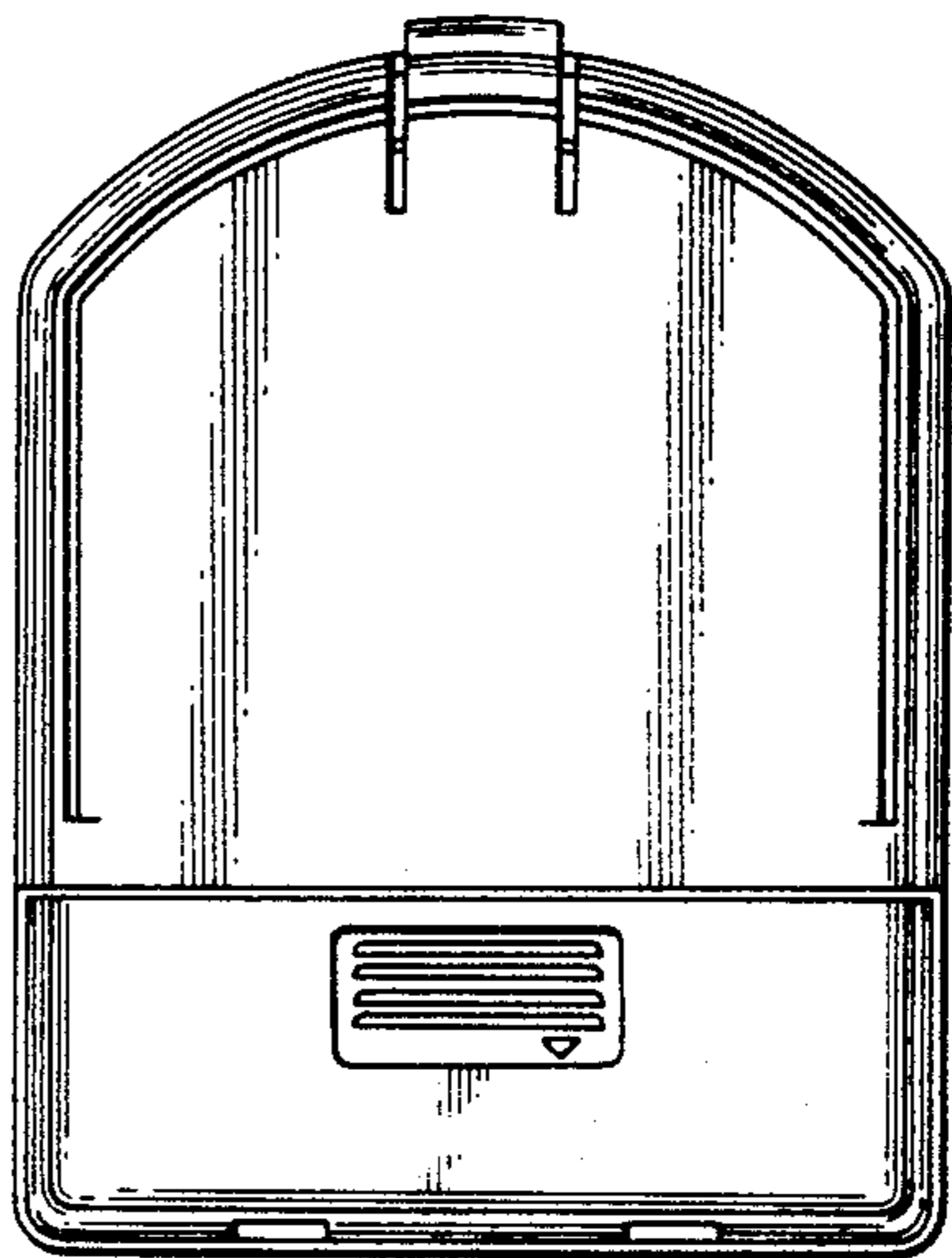
**FIG. 4**



**FIG. 5**



**FIG. 6**



**FIG. 7**

