

# United States Patent [19]

Spenceley

[11] Patent Number: **Des. 279,323**

[45] Date of Patent: **\*\* Jun. 18, 1985**

[54] **GRAIN HOPPER**

[76] Inventor: **James Spenceley**, P.O. Box 159,  
Lethbridge, Alberta, Canada, T1J  
3Y5

[\*\*] Term: **14 Years**

[21] Appl. No.: **371,172**

[22] Filed: **Apr. 23, 1982**

[52] U.S. Cl. .... **D34/28**

[58] Field of Search ..... D34/28; D6/177; 193/9;  
D7/53; 198/311, 671; 414/326; 222/413

[56] **References Cited**

**U.S. PATENT DOCUMENTS**

D. 161,852 2/1951 Meeder ..... D34/28  
2,923,574 2/1960 Fuss et al. .... 222/413

2,943,752 7/1960 Platt ..... 414/326  
3,203,599 8/1965 Renner ..... 222/413  
4,220,434 9/1980 Letzig ..... 414/326

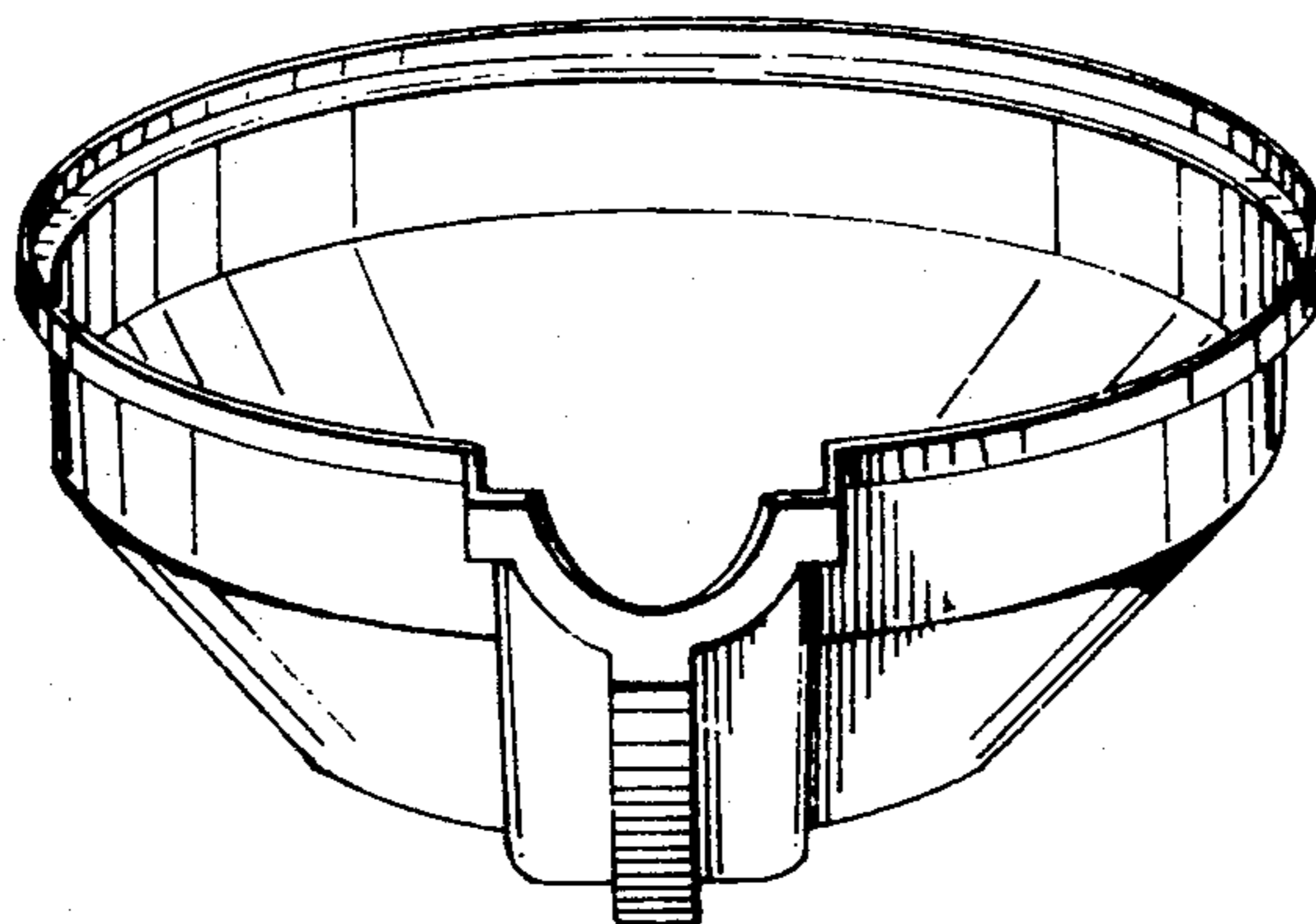
*Primary Examiner*—James M. Gandy  
*Assistant Examiner*—Kay H. Chin  
*Attorney, Agent, or Firm*—William R. Hinds; George H.  
Dunsmuir

[57] **CLAIM**

The ornamental design for a grain hopper, as shown.

**DESCRIPTION**

FIG. 1 is a top perspective view of a grain hopper showing my new design;  
FIGS. 2 and 6 are side elevation views thereof;  
FIGS. 3 and 5 are end elevation views thereof;  
FIG. 4 is a top plan view thereof;  
FIG. 7 is a bottom plan view thereof.



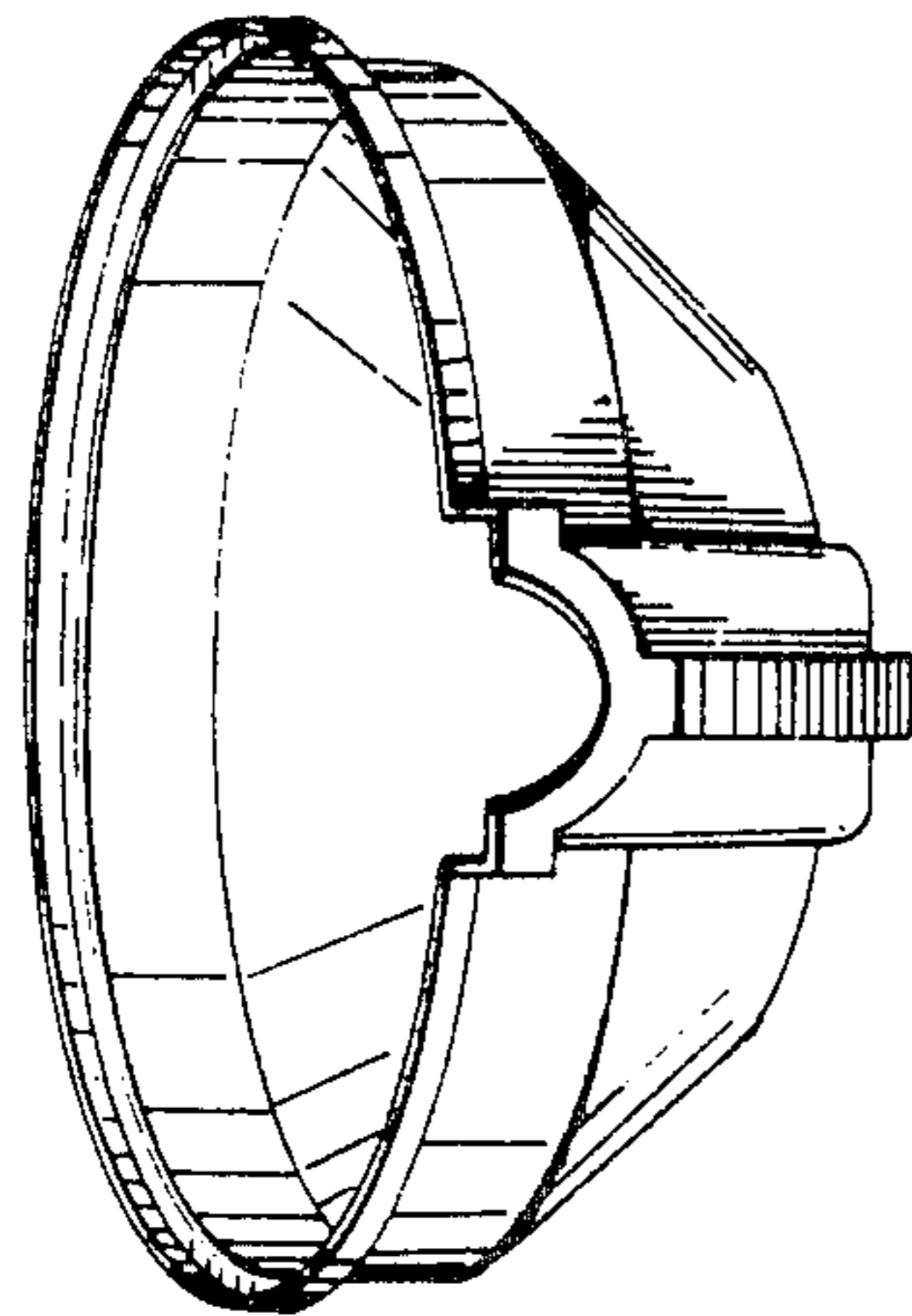


FIG. 1

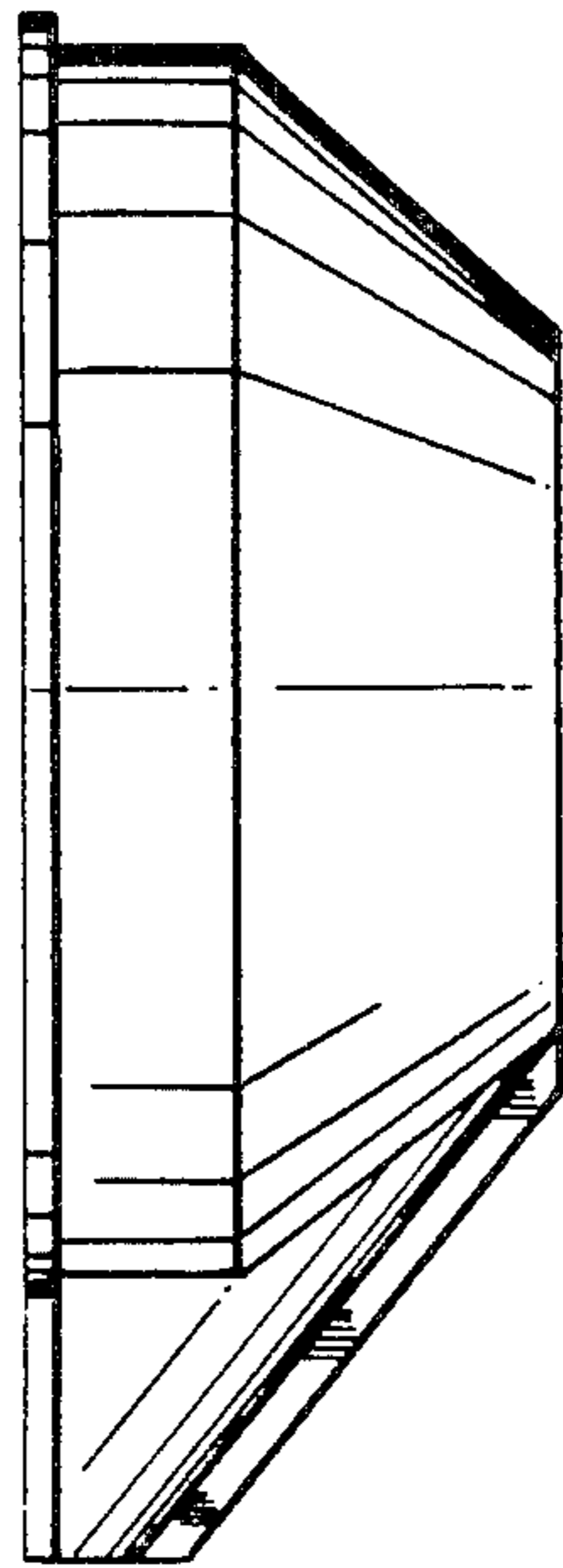


FIG. 2

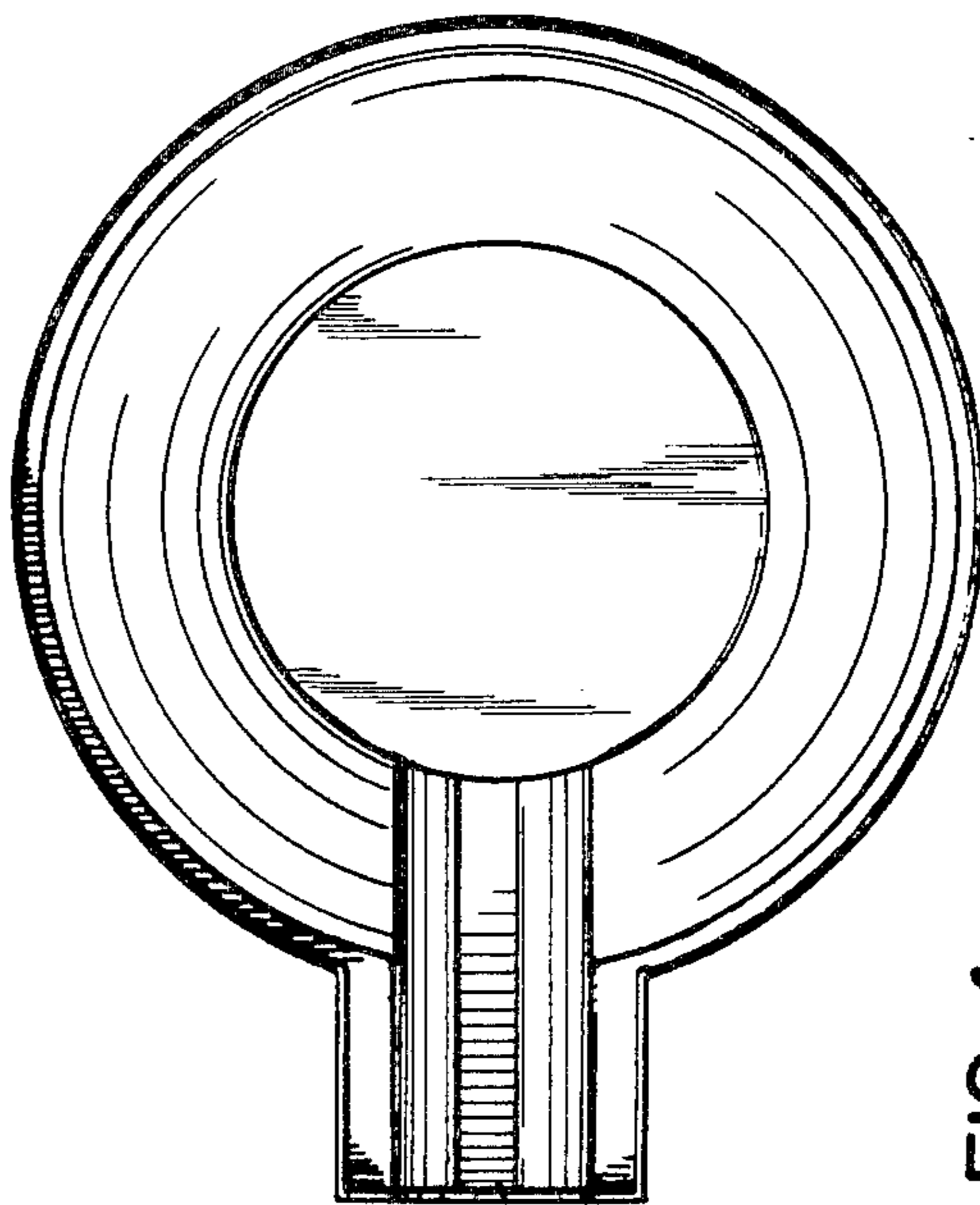


FIG. 4

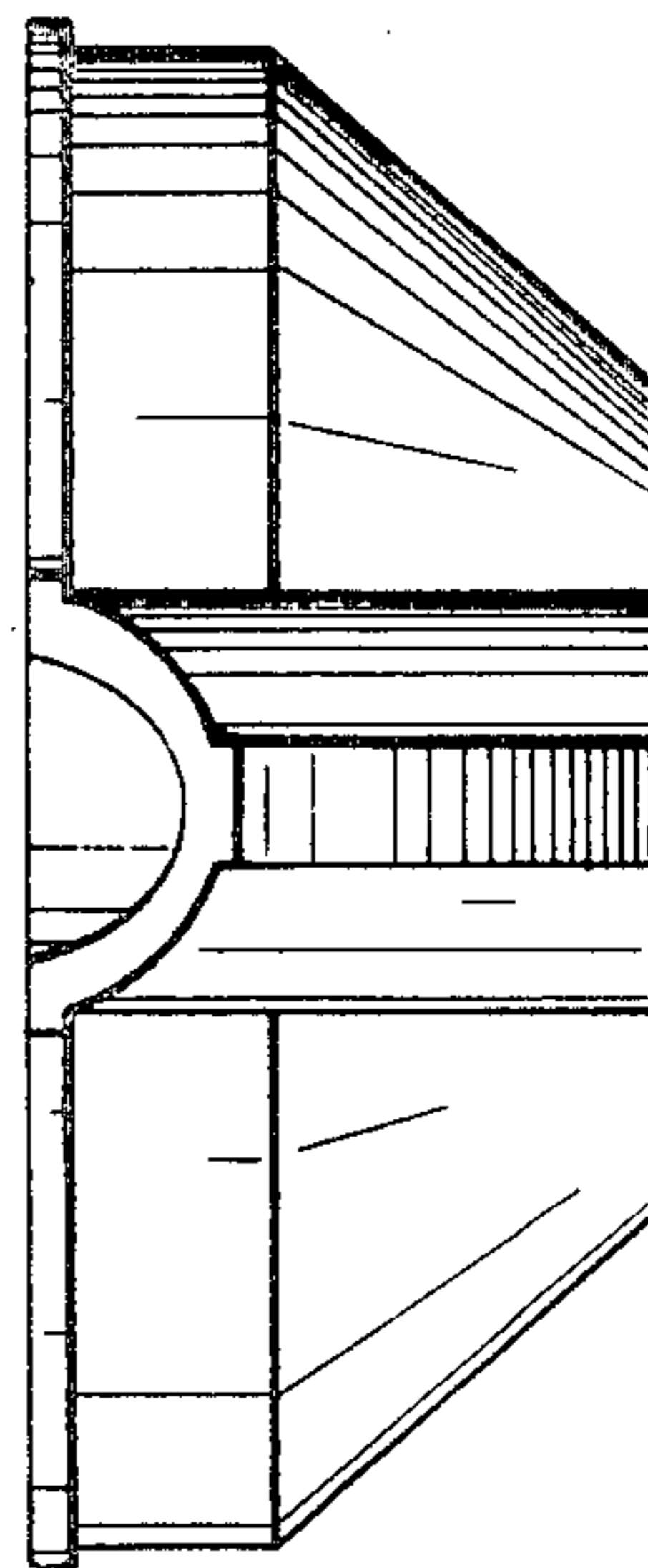


FIG. 3

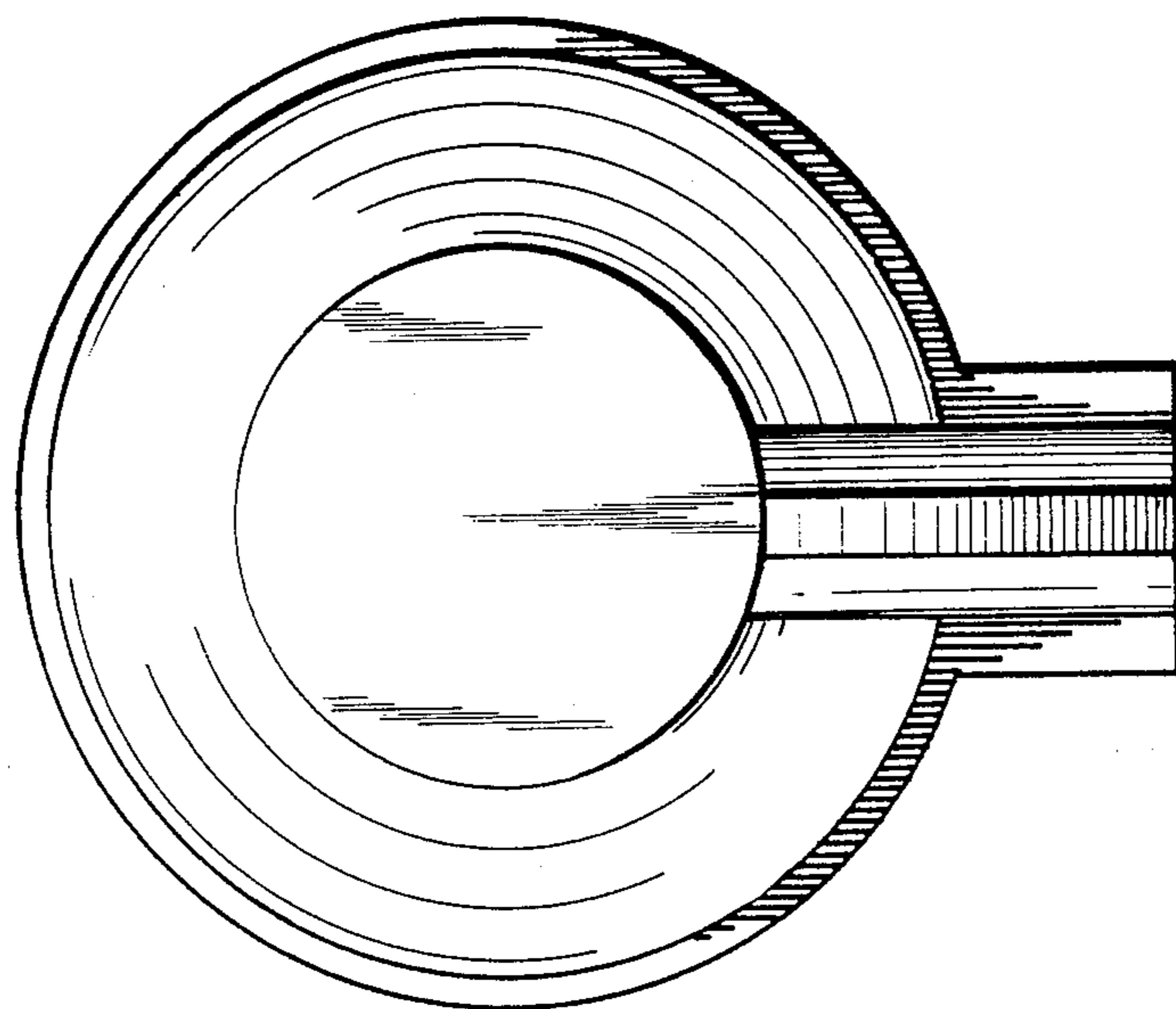


FIG. 7

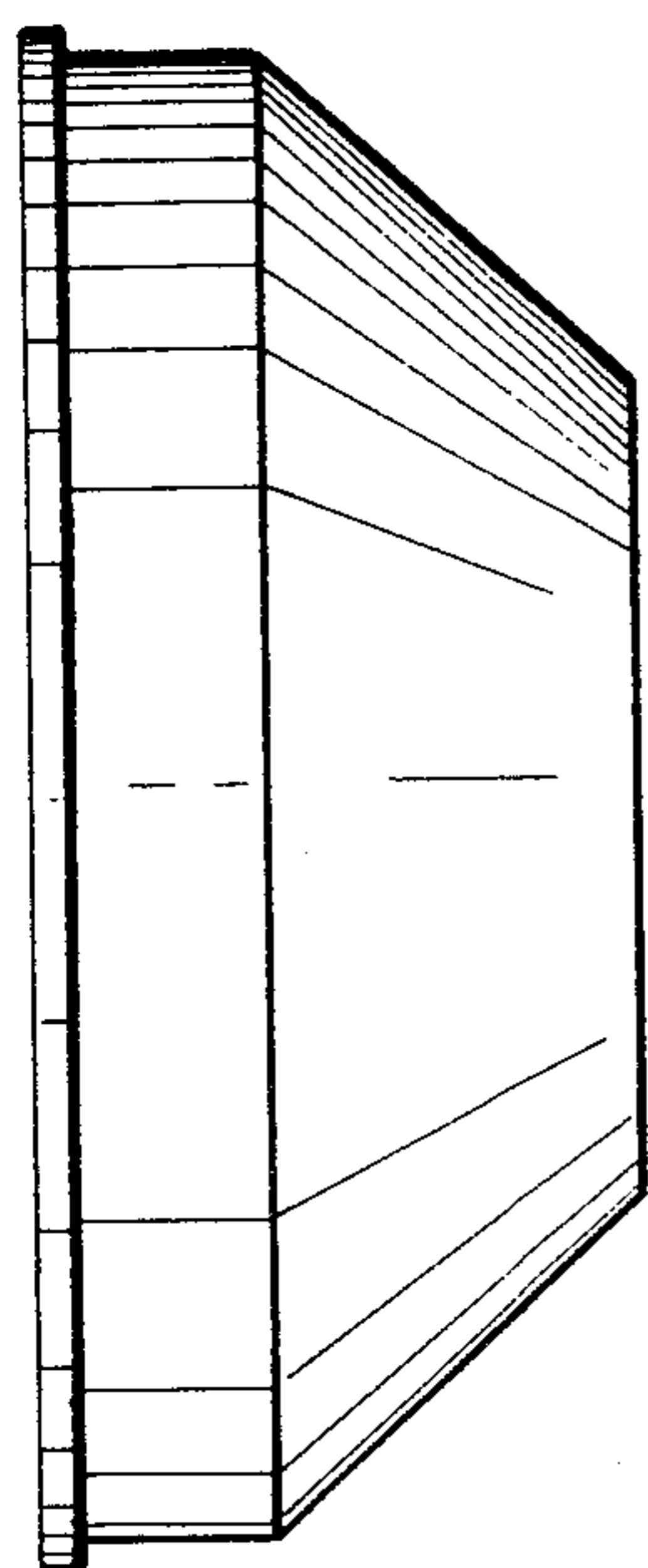


FIG. 5

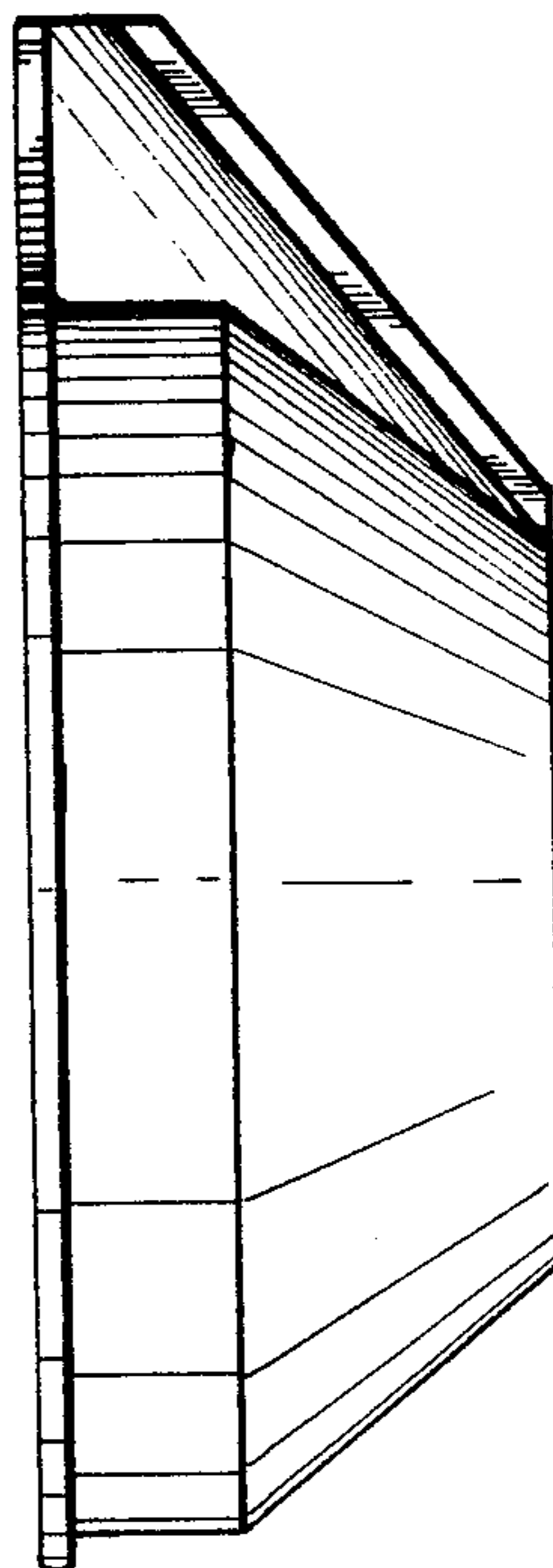


FIG. 6