

[54] VACUUM CLEANER

208,529 9/1967 Schoettler D32/24

[76] Inventor: Harold J. Schoettler, 3321 Bounty Cir., Huntington Beach, Calif. 92649

[**] Term: 14 Years

[21] Appl. No.: 549,677

[22] Filed: Nov. 7, 1983

[52] U.S. Cl. D32/24

[58] Field of Search D32/21, 22, 23, 24; 15/320, 327 R, 327 D, 327 E

[56] References Cited

U.S. PATENT DOCUMENTS

D. 144,558	4/1946	Grohs	D32/24
D. 150,220	7/1948	Geistert	D32/24
D. 167,002	6/1952	Russell	D32/24
D. 167,003	6/1952	Russell	D32/24
D. 168,225	11/1952	Holt	D32/24
175,857	10/1955	Ryden	D32/24
200,094	1/1965	Grinyer	D32/24

OTHER PUBLICATIONS

Advertisement in Home Furnishings Daily, Jan. 12, 1965, Tues. p. 23, Vacuum Cleaner.

Advertisement Electrical Merchandising, Mar. 1, 1947, p. 73, Compact Vacuum Cleaner.

Primary Examiner—Wallace R. Burke

Assistant Examiner—Lynn Wilder

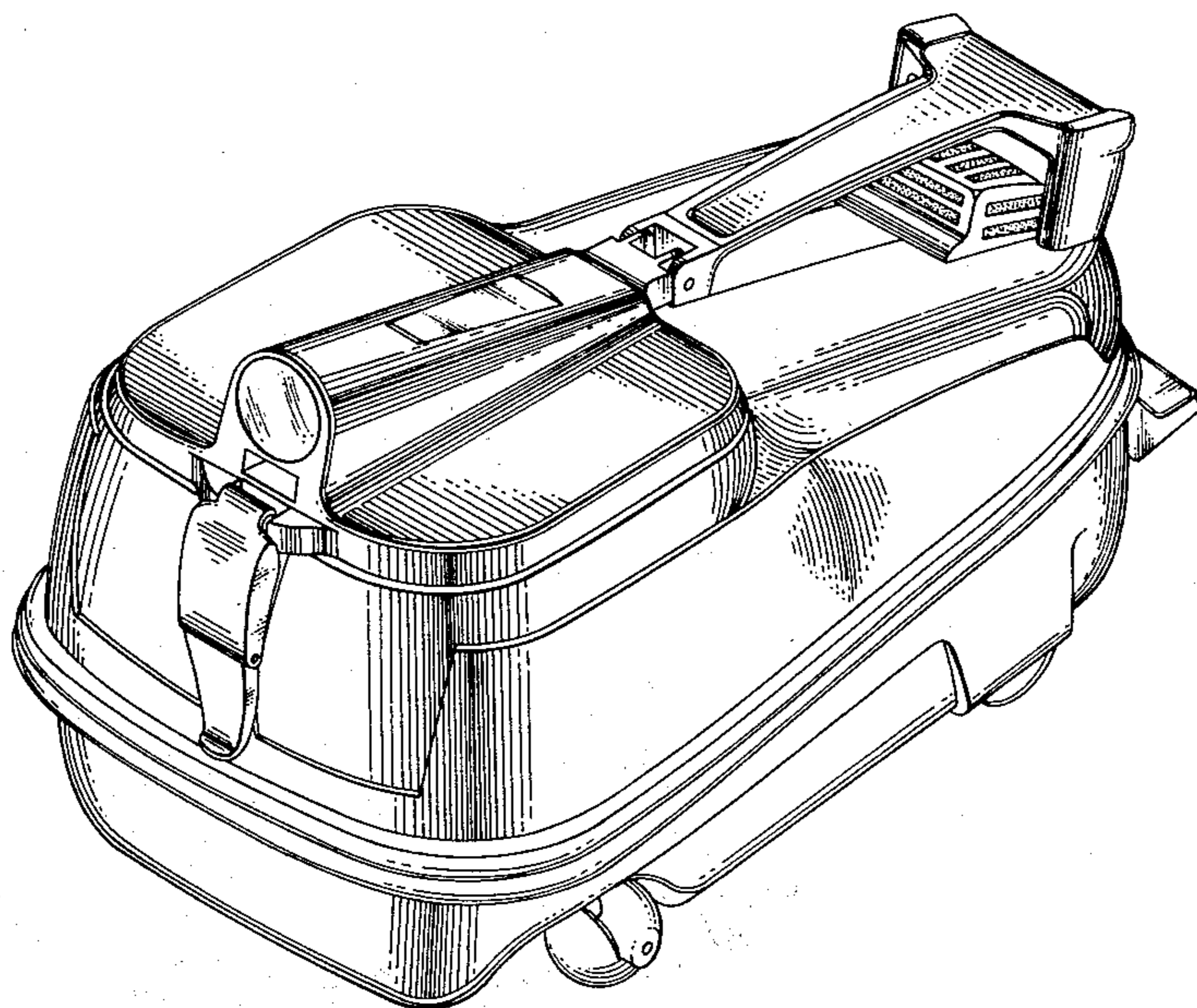
Attorney, Agent, or Firm—Christie, Parker & Hale

[57] CLAIM

The ornamental design for a vacuum cleaner, substantially as shown and described.

DESCRIPTION

FIG. 1 is a perspective view showing the side, top, and front of a vacuum cleaner embodying my design; FIG. 2 is a top plan view thereof; FIG. 3 is a side elevational view thereof; FIG. 4 is a front elevational view thereof; and FIG. 5 is a rear elevational view thereof.



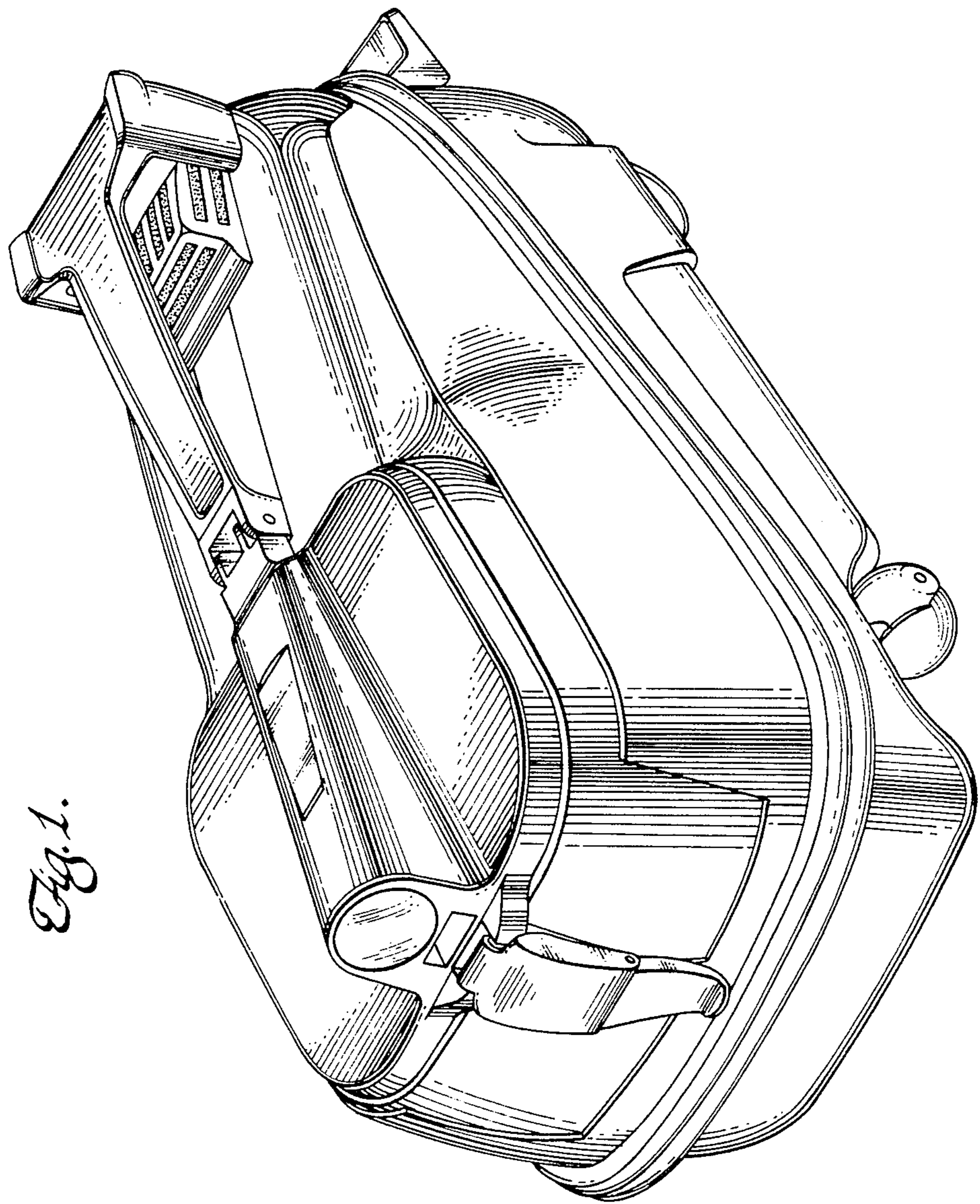


Fig. 1.

Fig. 2.

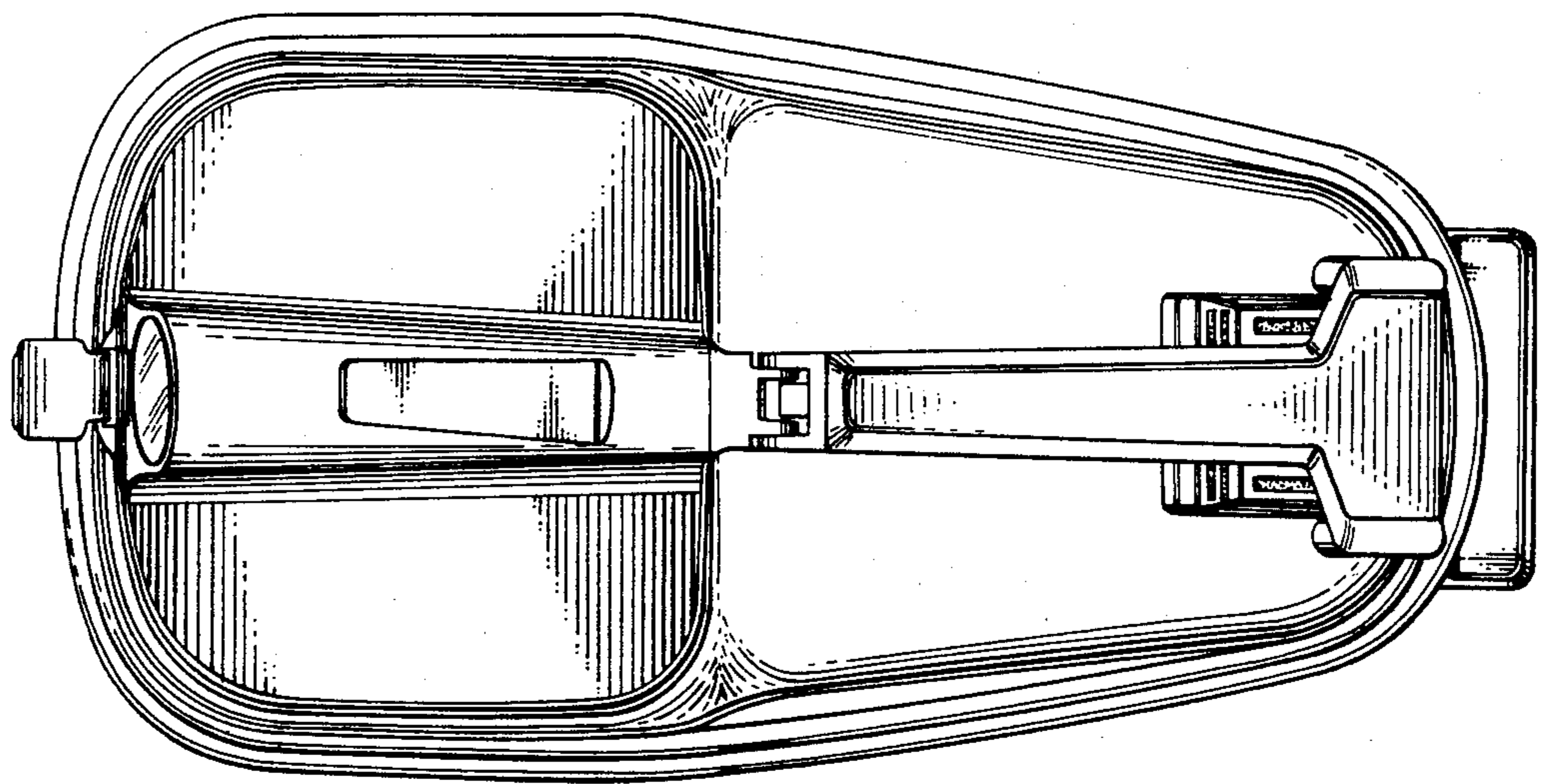


Fig. 3.

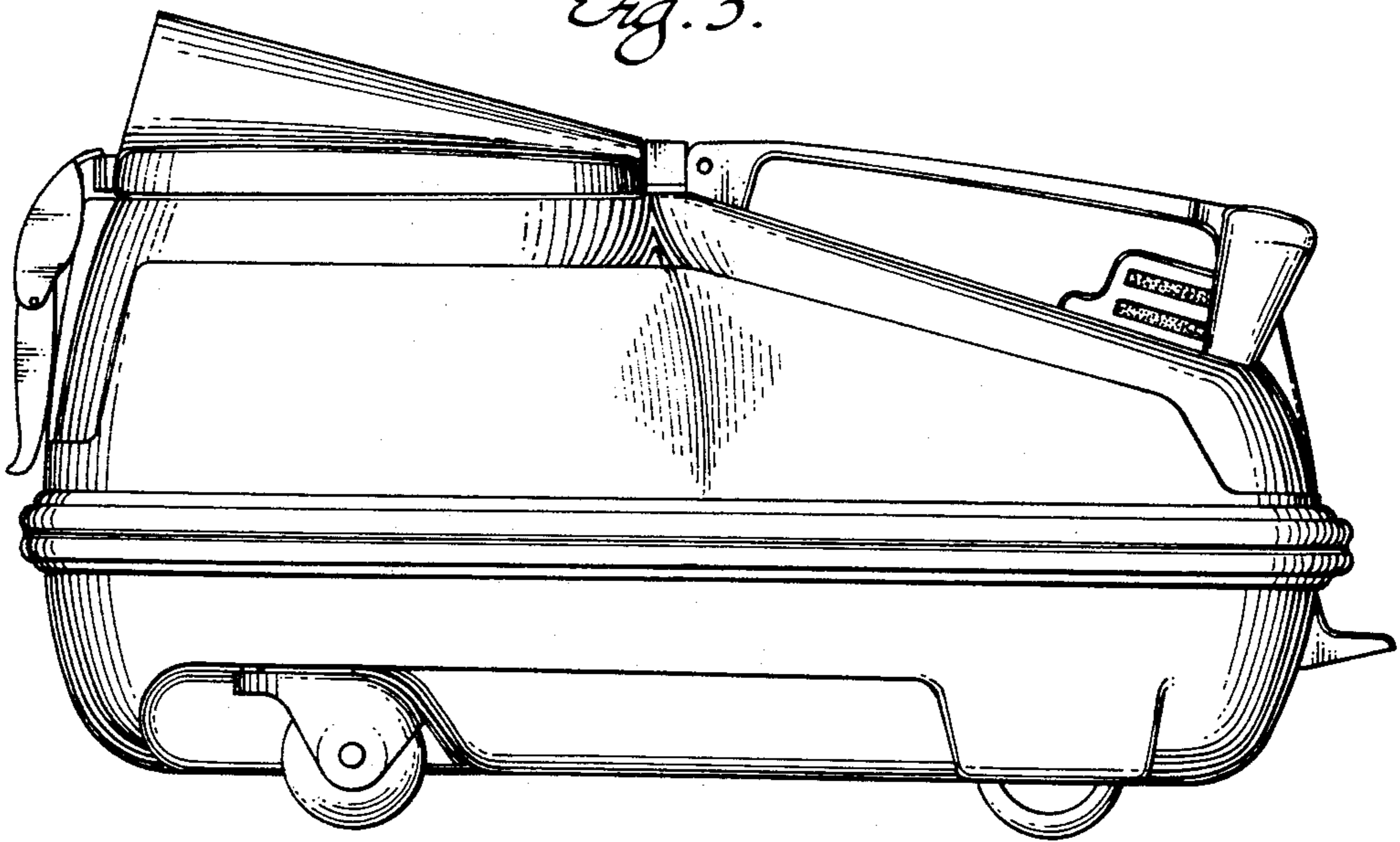


Fig. 4.

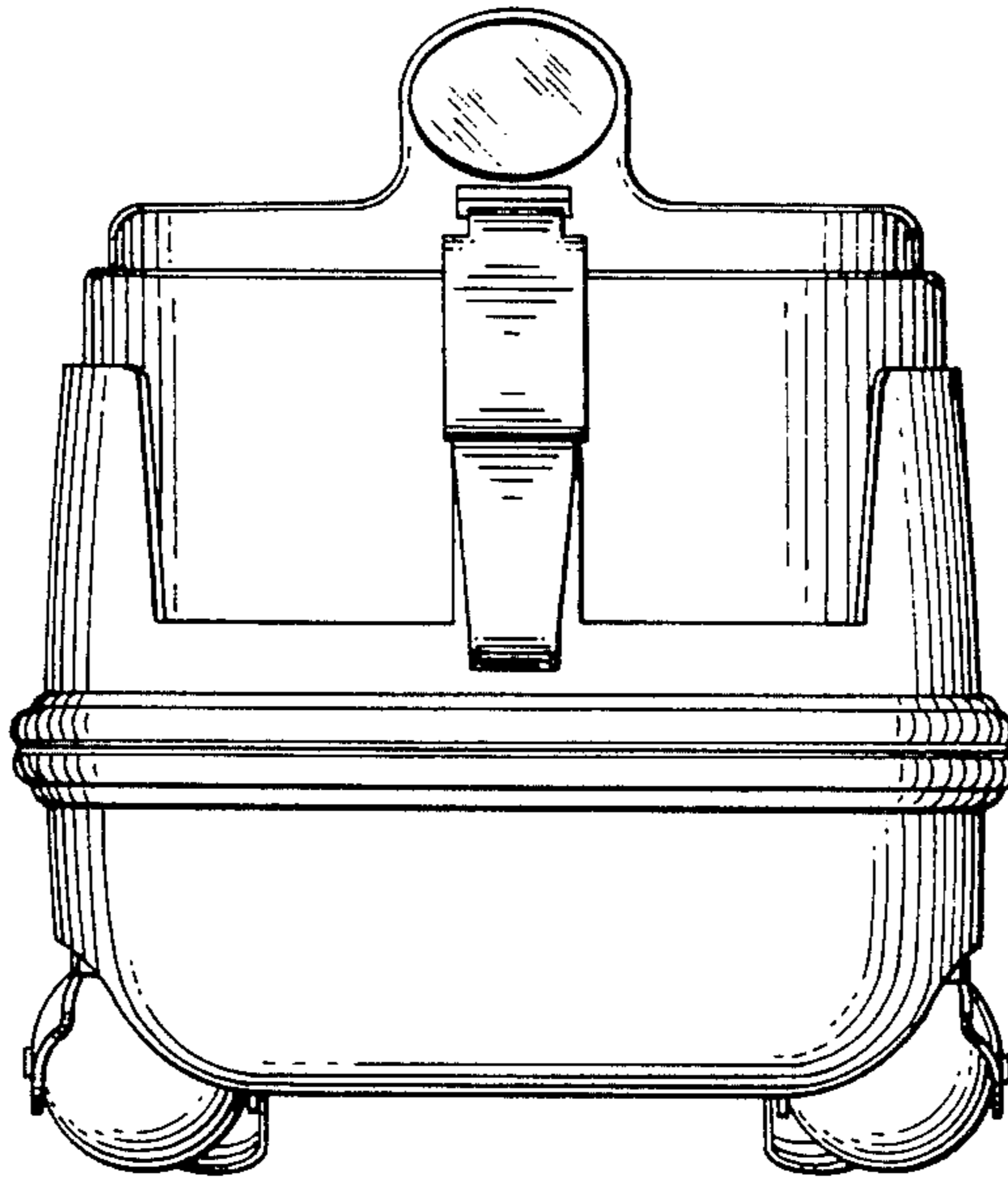


Fig. 5.

