

[54] HAND HELD BLOWER

[75] Inventors: Donald R. McCloskey, Trappe; Thornton H. Gogoll, Easton, both of Md.

[73] Assignee: Black & Decker Inc., Newark, Del.

[**] Term: 14 Years

[21] Appl. No.: 370,249

[22] Filed: Apr. 20, 1982

[52] U.S. Cl. D32/15

[58] Field of Search 15/330, 405, 410, 340, 15/344, 337; D32/15; D8/62, 0.69

[56] References Cited

U.S. PATENT DOCUMENTS

4,070,771	1/1978	Yakiwchuk	15/405
4,132,507	1/1979	Akiyama et al.	15/405
4,223,419	9/1980	Sato et al.	15/405
4,269,571	5/1981	Shikutani et al.	15/405
4,288,886	9/1981	Siegler	15/330
4,325,163	4/1982	Mattson et al.	15/330

OTHER PUBLICATIONS

Undated advertisement—"Roto-Blo".

Undated advertisement—"Home 'N Yard Power Blower-Weed Eater Model 2500".

Undated advertisement—"The Green Machine Yard Blower".

Undated advertisement—"Vac-N-Sac".

Undated advertisement—"Blo-Hard".

Undated advertisement—"Pow-R-Blow".

Primary Examiner—Wallace R. Burke

Assistant Examiner—Lynn Wilder

Attorney, Agent, or Firm—Finnegan, Henderson, Farabow, Garrett & Dunner

[57] CLAIM

The hand held blower, as shown and described.

DESCRIPTION

FIG. 1 is a perspective view of a hand held blower showing our new design;

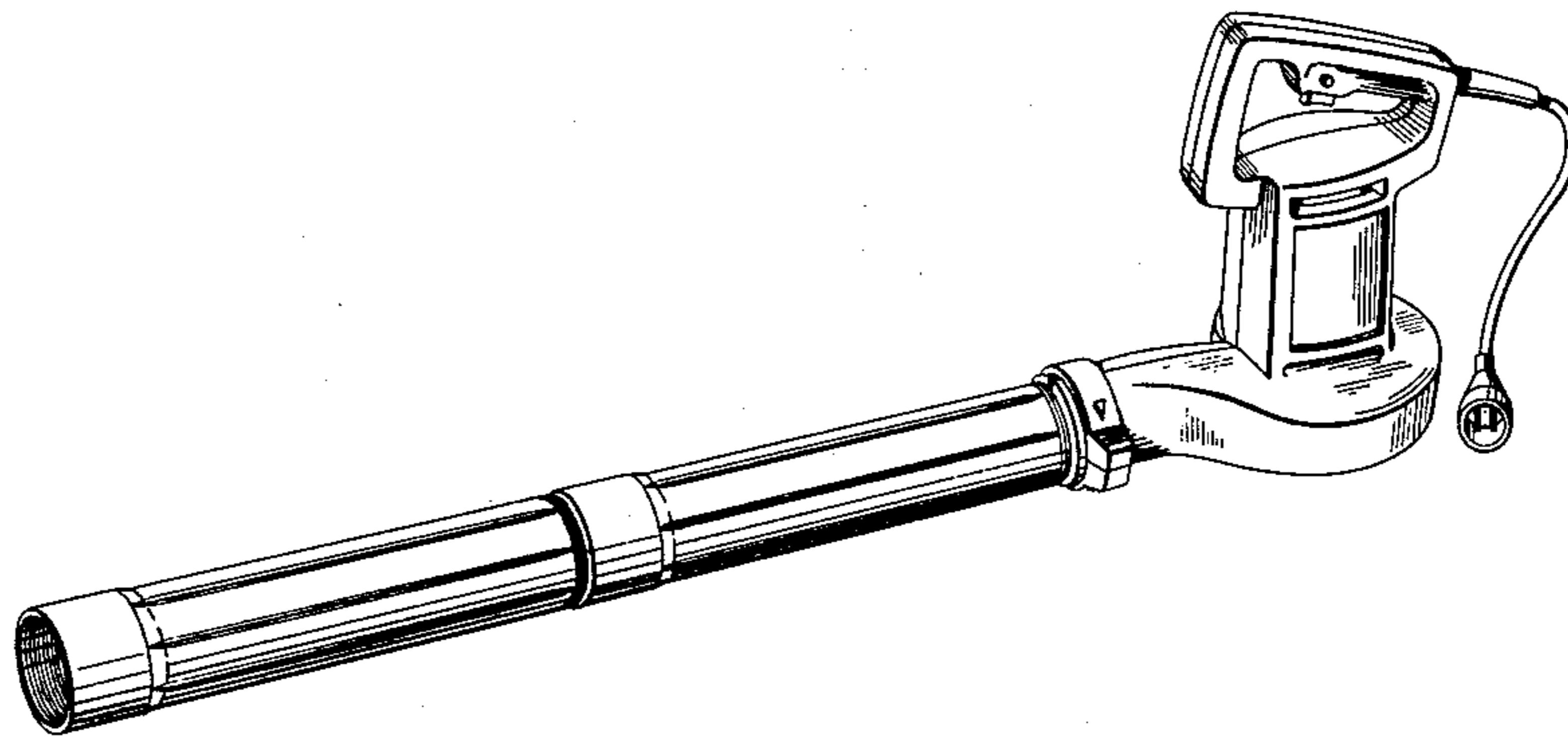
FIG. 2 is a right side elevational view of the device of FIG. 1;

FIG. 3 is a top plan view of the device of FIG. 1;

FIG. 4 is a bottom plan view of the device of FIG. 1;

FIG. 5 is a rear elevational view of the device of FIG. 1; and

FIG. 6 is a front elevational view of the device of FIG. 1.



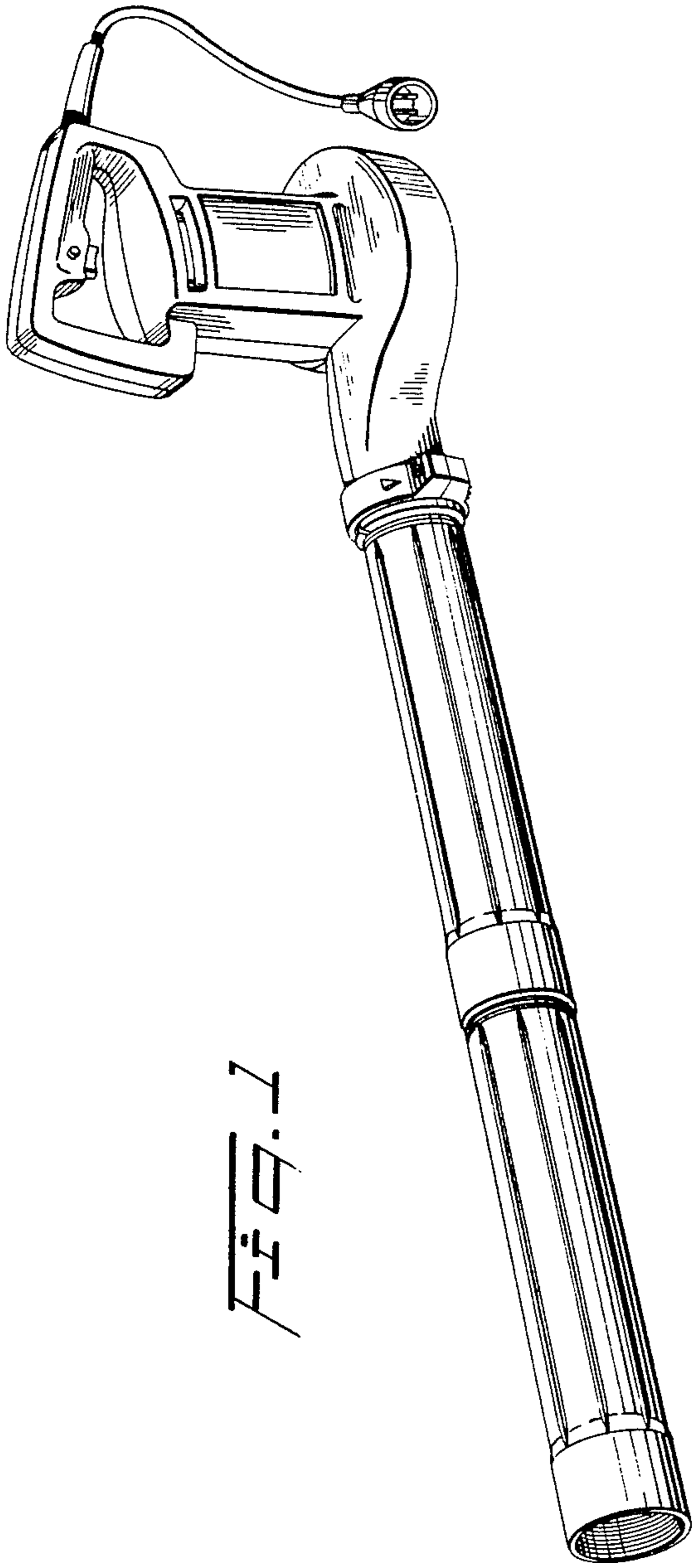


FIG. 1

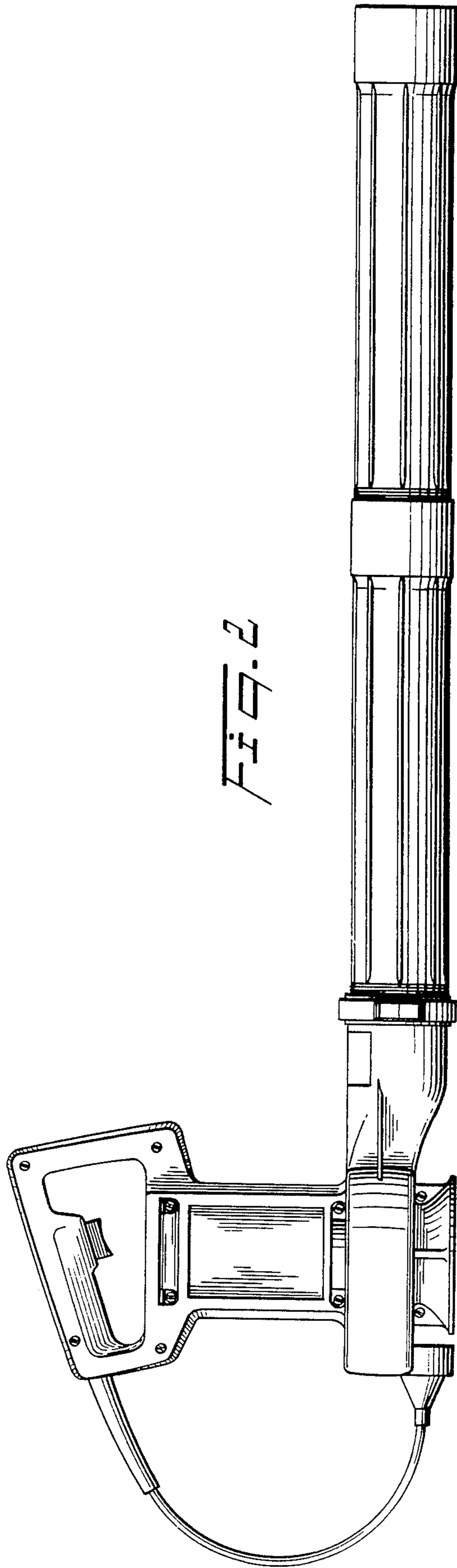


FIG. 2

