

[54] EAR TAG FOR ANIMALS

[76] Inventor: Edward E. Dvorak, P.O. Box 79,
Manning, N. Dak. 58642

[**] Term: 14 Years

[21] Appl. No.: 590,855

[22] Filed: Mar. 19, 1984

[52] U.S. Cl. D30/43; 40/301

[58] Field of Search D30/43; 119/166;
40/300-303

[56] References Cited

U.S. PATENT DOCUMENTS

344,241	6/1886	Boyden et al.	40/301
361,987	4/1887	Clark	40/301
1,376,223	4/1921	Pannier	40/301
2,940,199	6/1960	Goldberg	40/301
4,021,952	5/1977	Brierley	40/301
4,425,726	1/1984	Dvorak	40/301

FOREIGN PATENT DOCUMENTS

330661	7/1903	France	40/301
--------	--------	--------------	--------

Primary Examiner—James R. Largen
Attorney, Agent, or Firm—Shlesinger, Arkwright,
Garvey & Fado

[57] CLAIM

The ornamental design for an ear tag for animals, as shown and described.

DESCRIPTION

FIG. 1 is a front elevational view of an ear tag for animals embodying my new design;
FIG. 2 is a rear elevational view thereof;
FIG. 3 is a top plan view thereof;
FIG. 4 is a bottom plan view thereof;
FIG. 5 is a side elevational view thereof;
FIG. 6 is an elevational view taken from the side opposite that shown in FIG. 5;
FIG. 7 is a front elevational view of a modified form of the ear tag for animals shown in FIG. 1;
FIG. 8 is a rear elevational view of FIG. 7;
FIG. 9 is a top plan view of FIG. 7;
FIG. 10 is a bottom plan view of FIG. 7;
FIG. 11 is a side elevational view of FIG. 7; and
FIG. 12 is an elevational view taken from the side opposite that shown in FIG. 11.

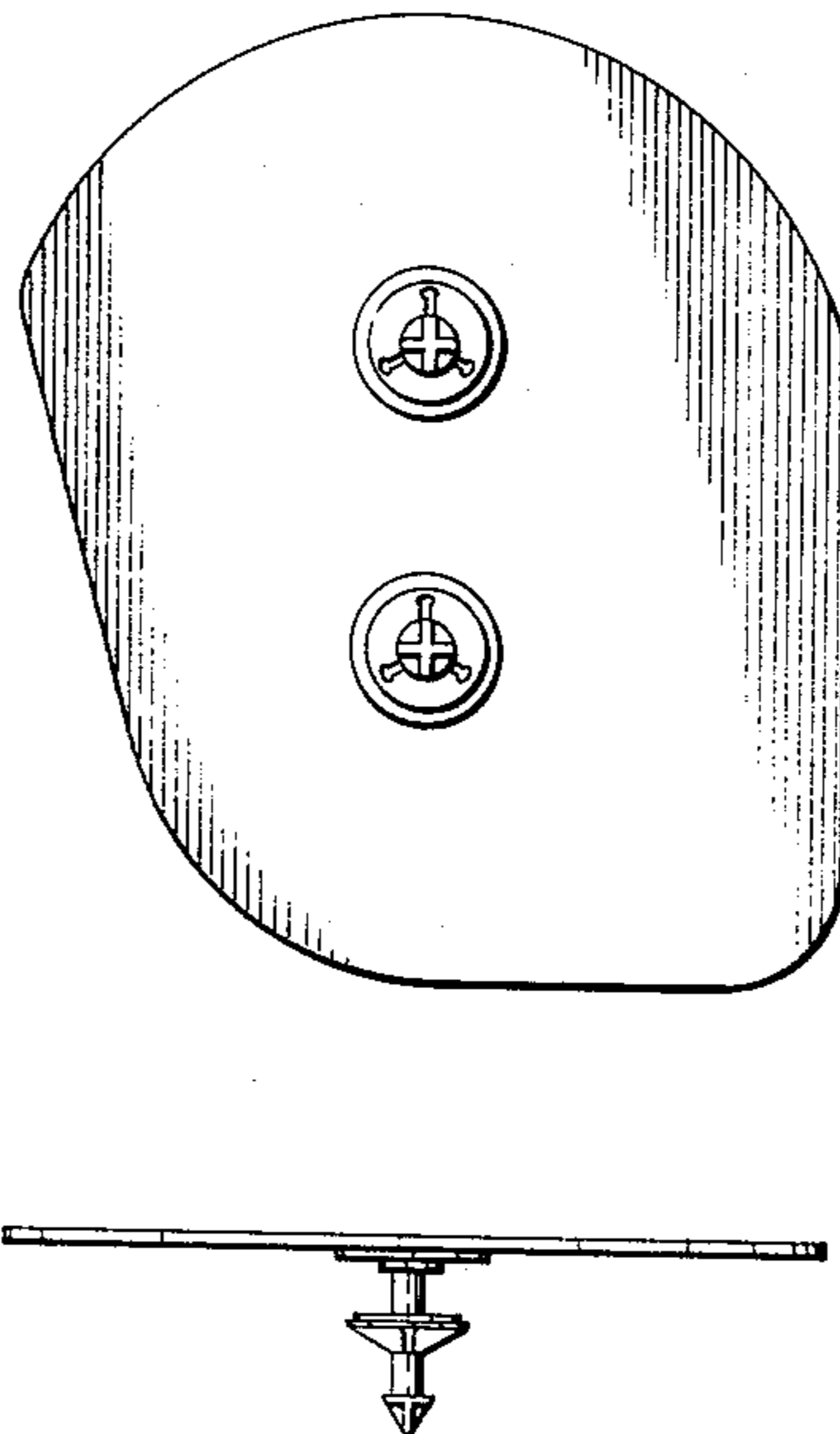


FIG 1

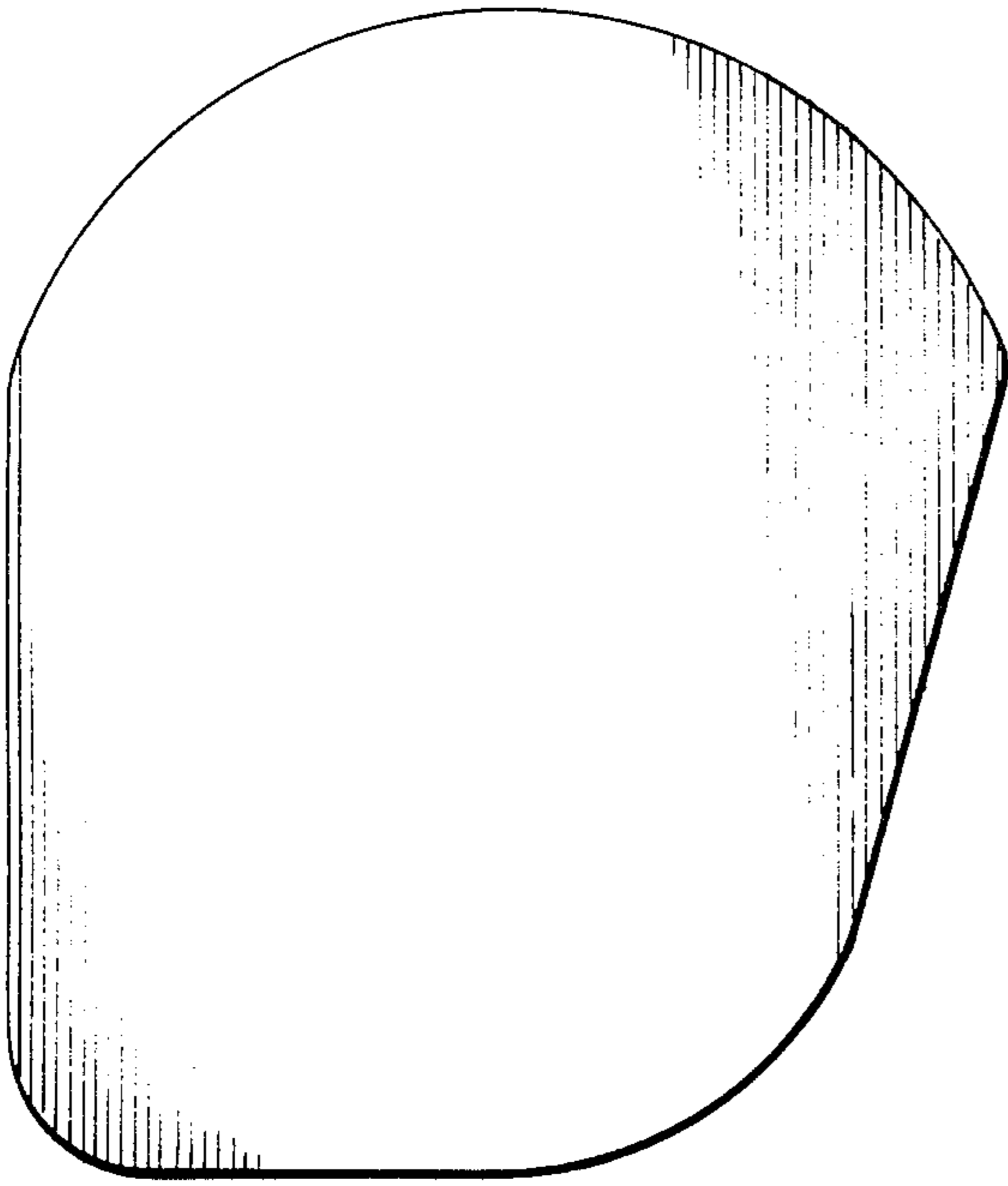


FIG 2

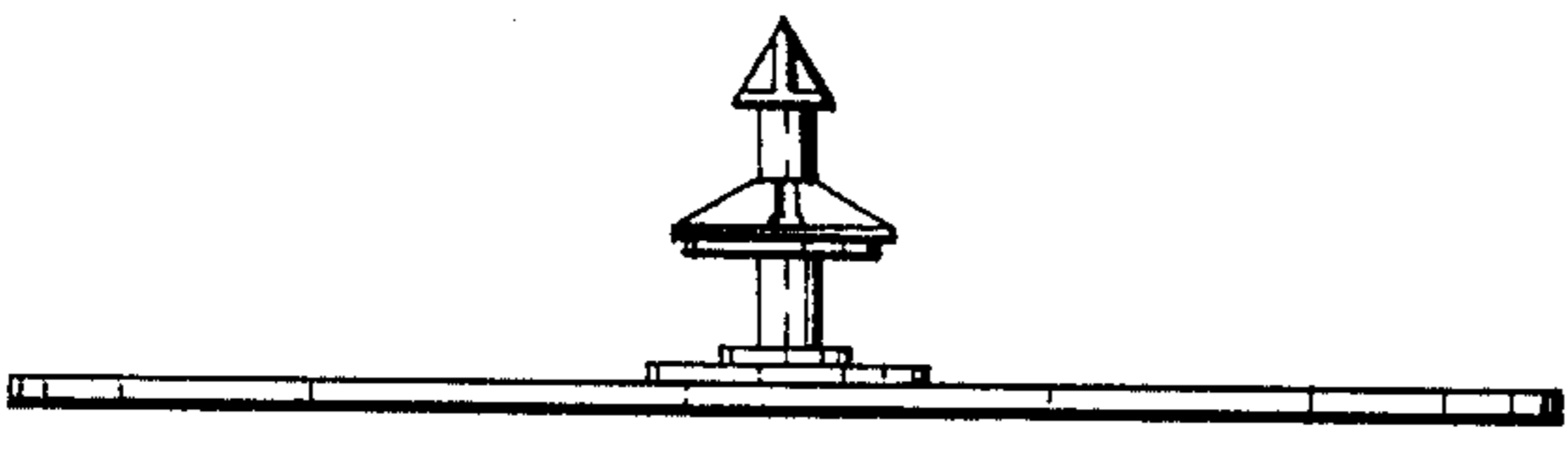
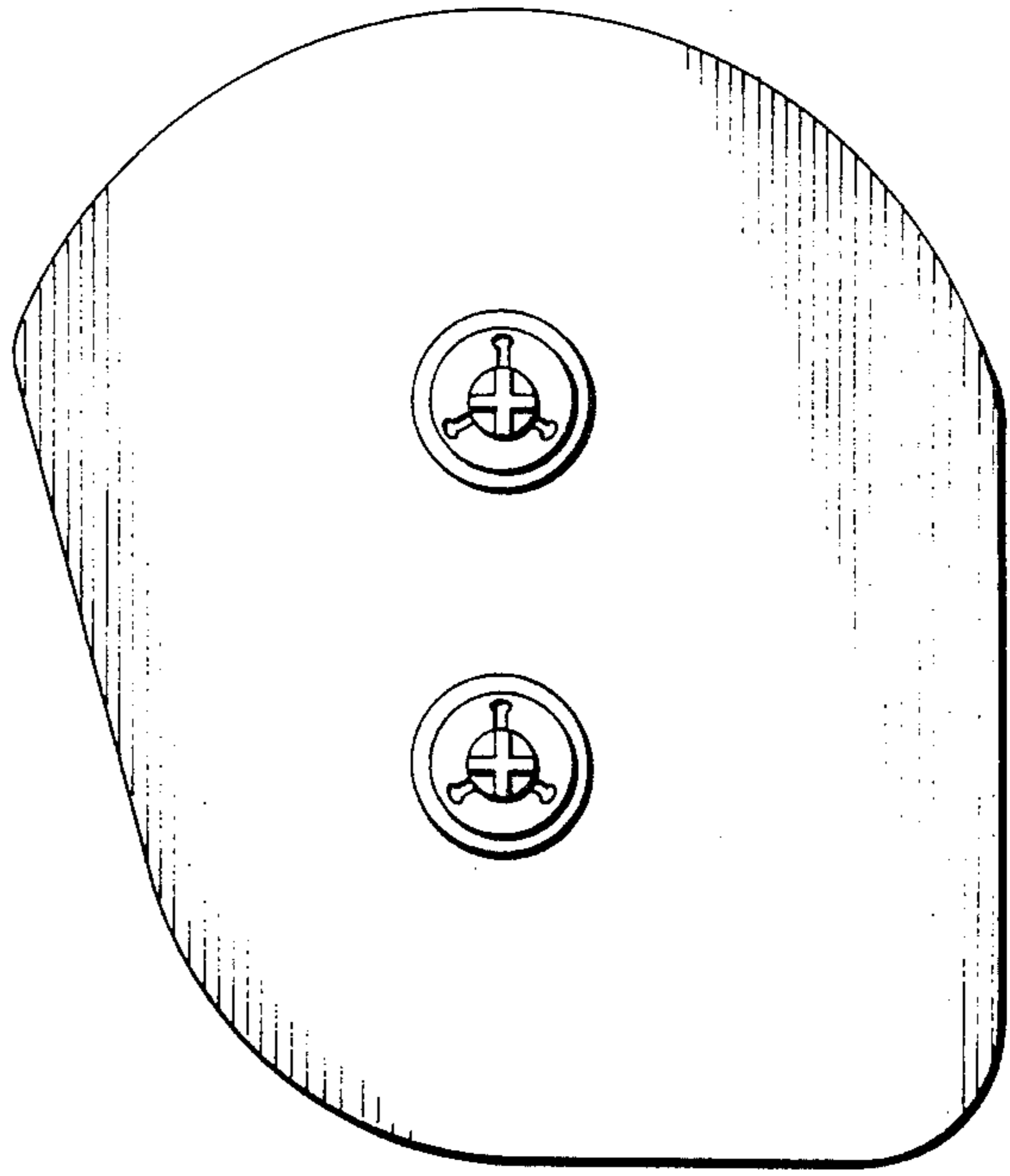


FIG 3

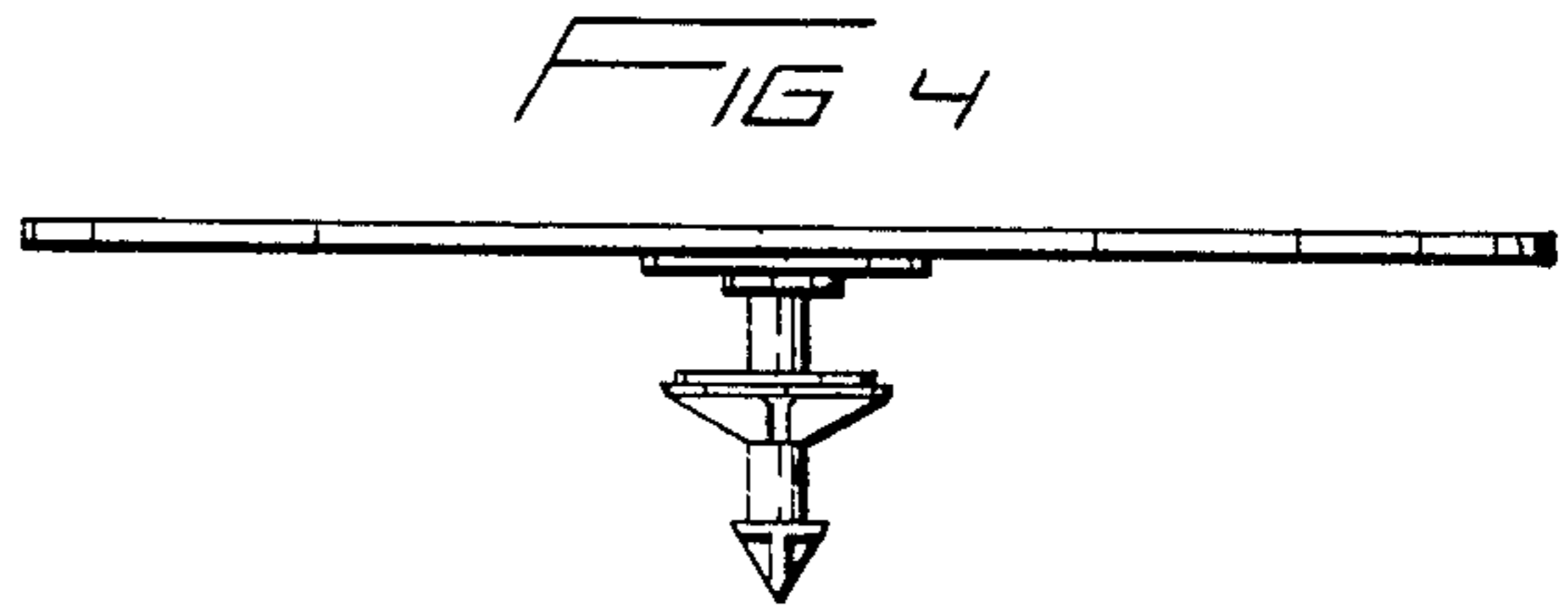


FIG 4

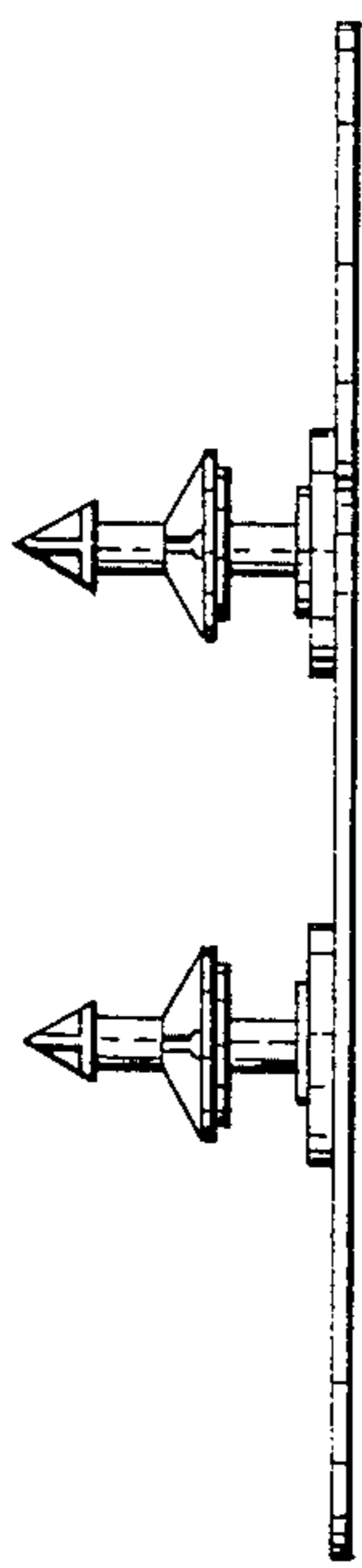


FIG 5

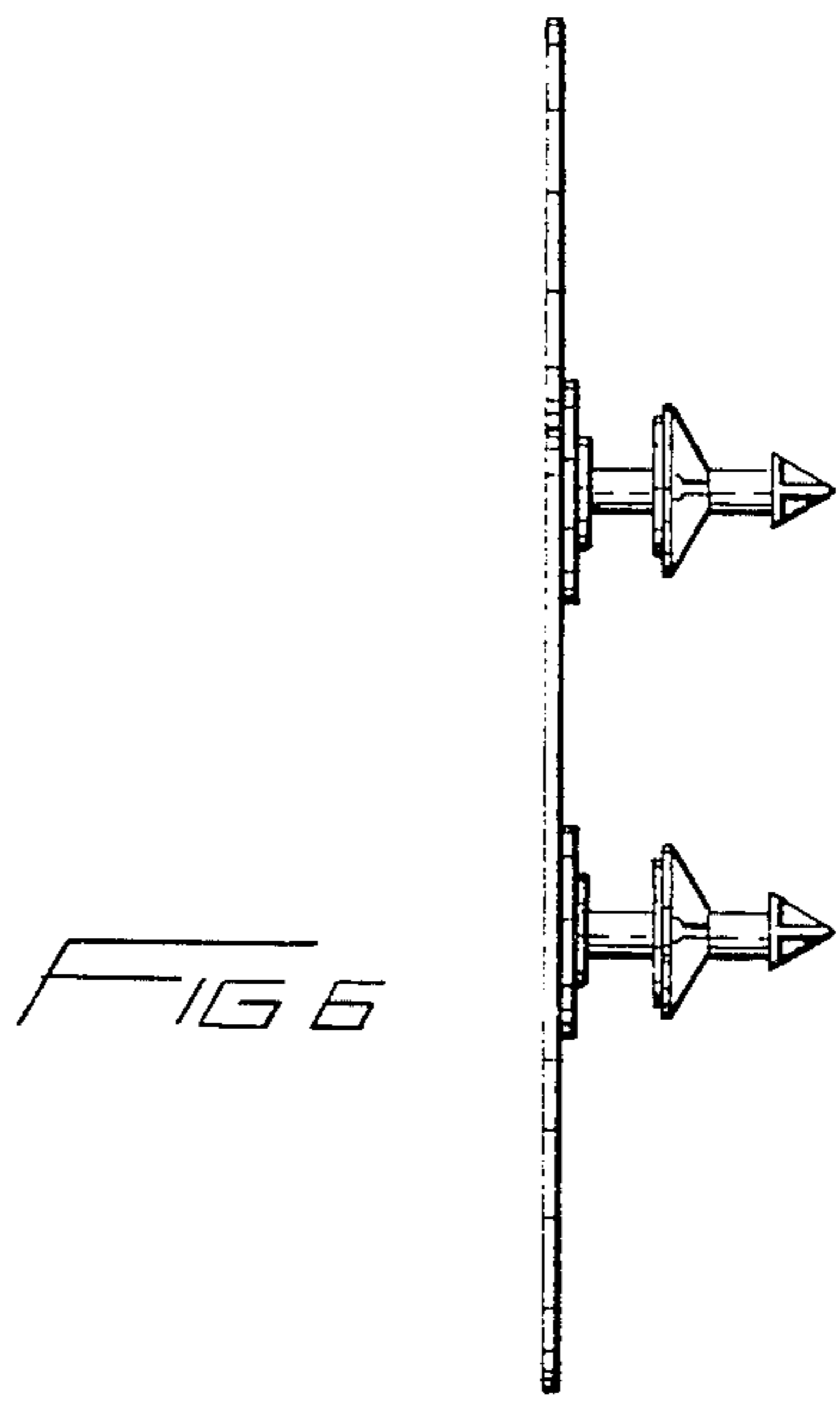


FIG 6

FIG 7

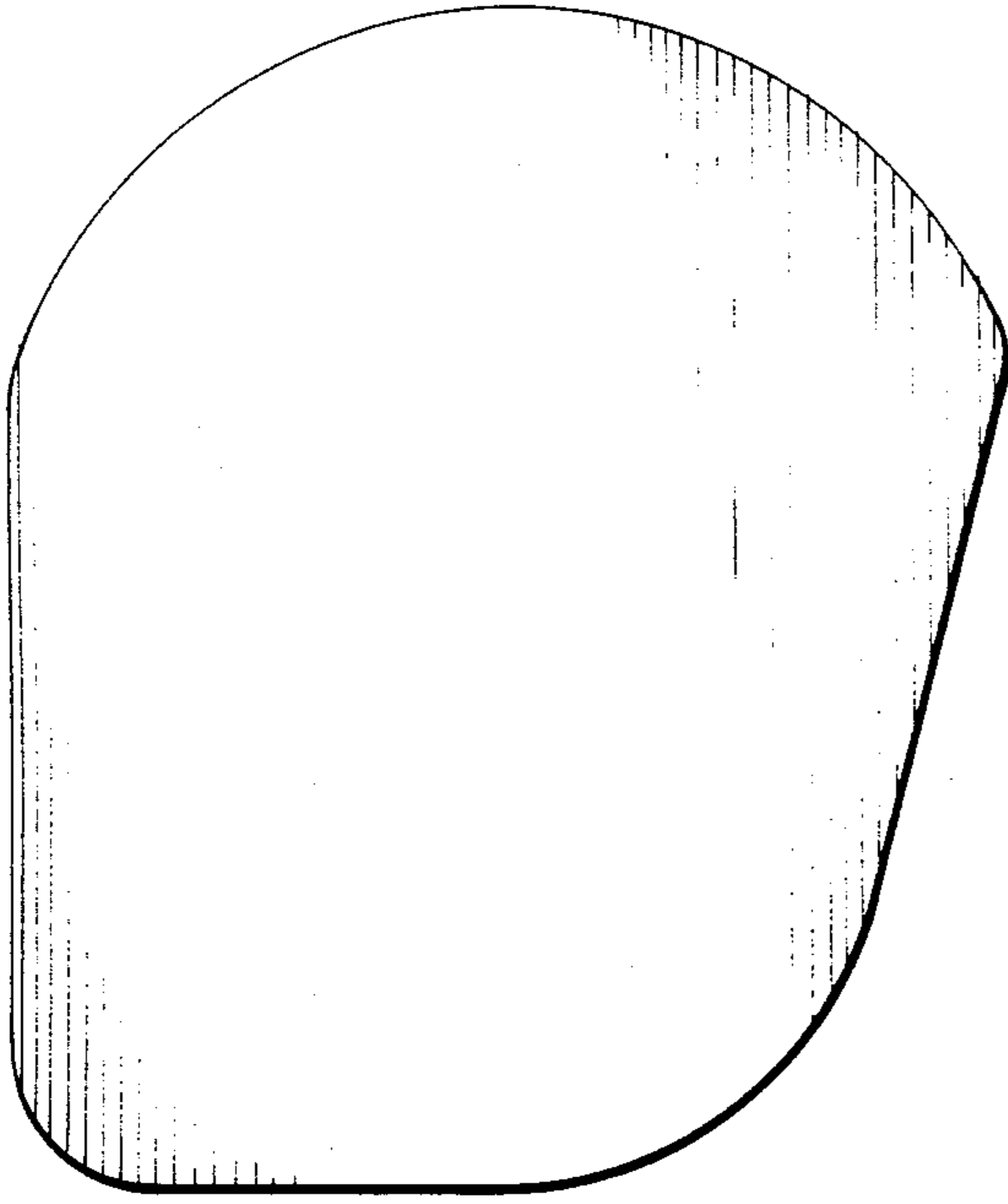


FIG 8

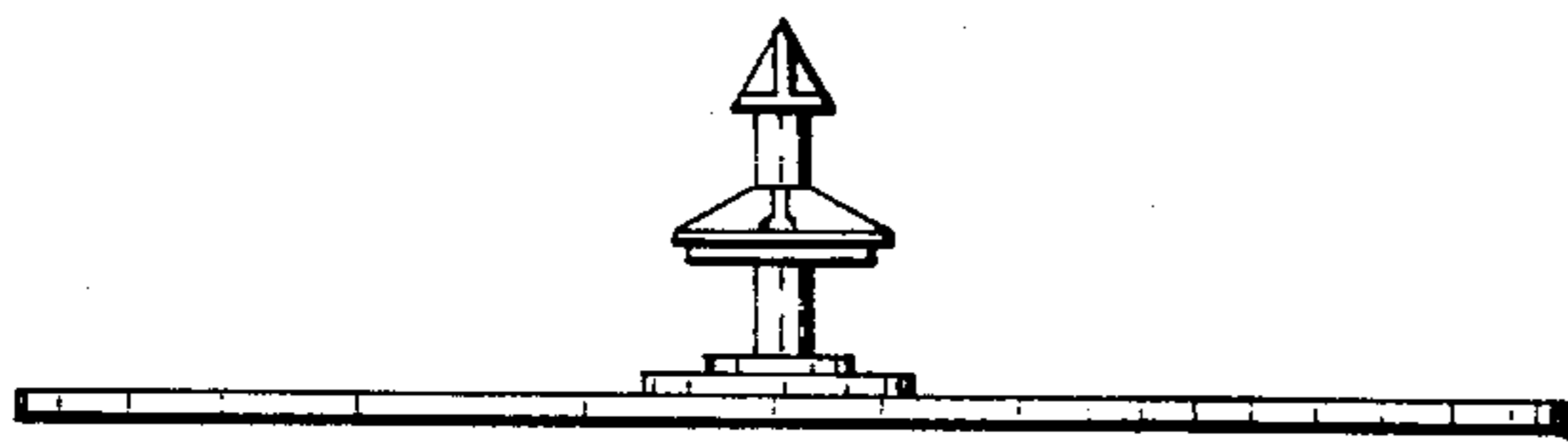
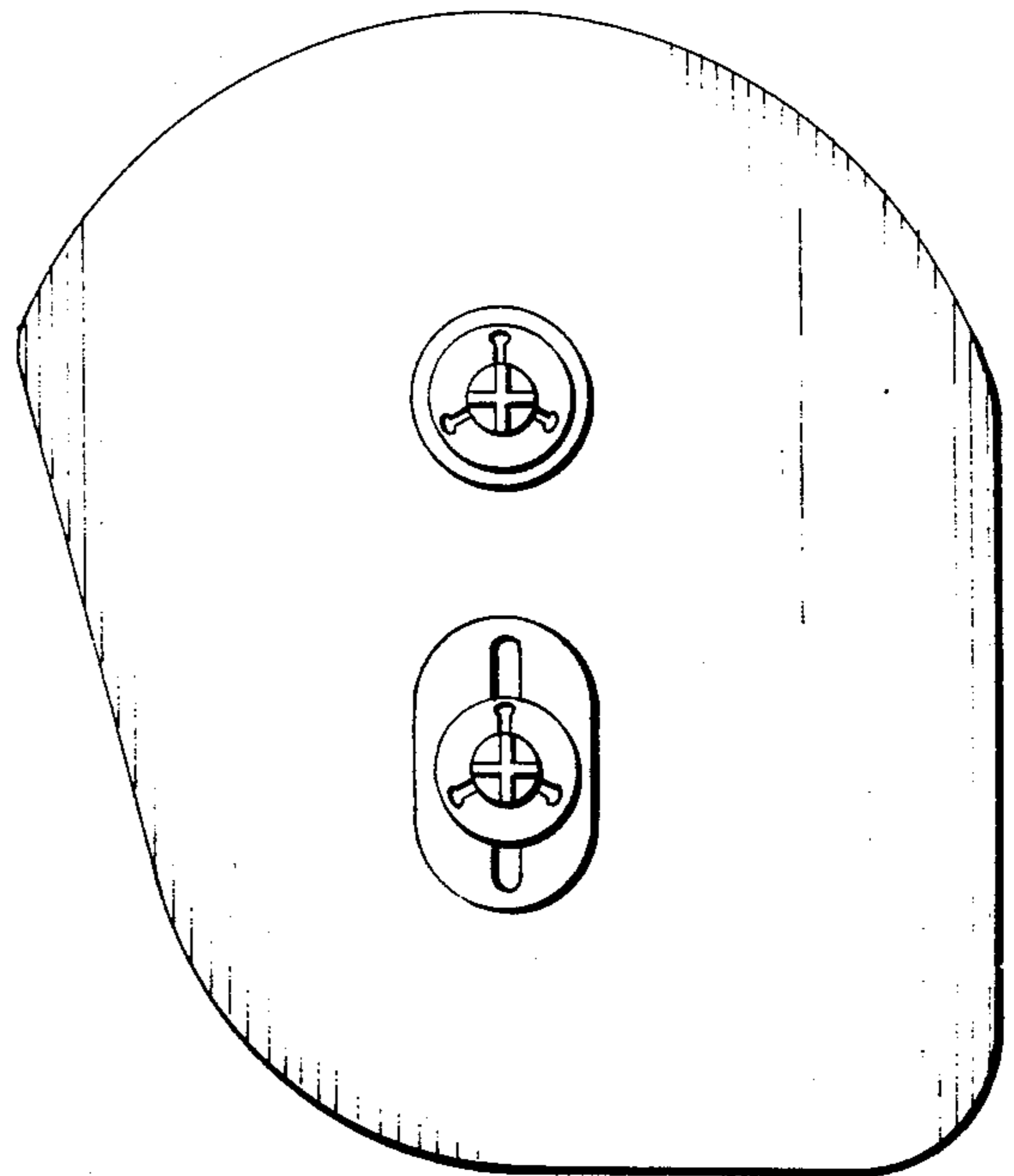


FIG 9

FIG 10

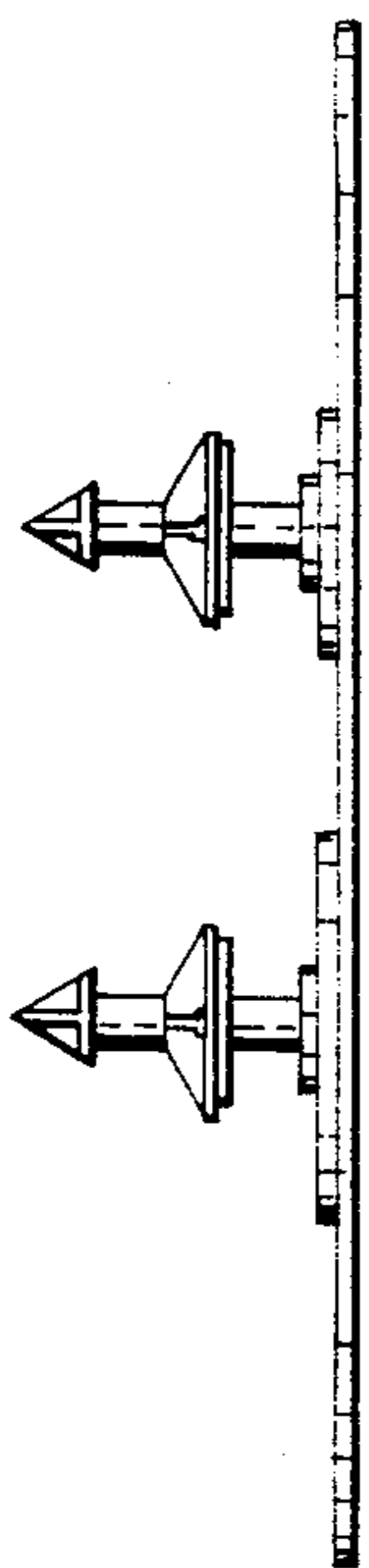
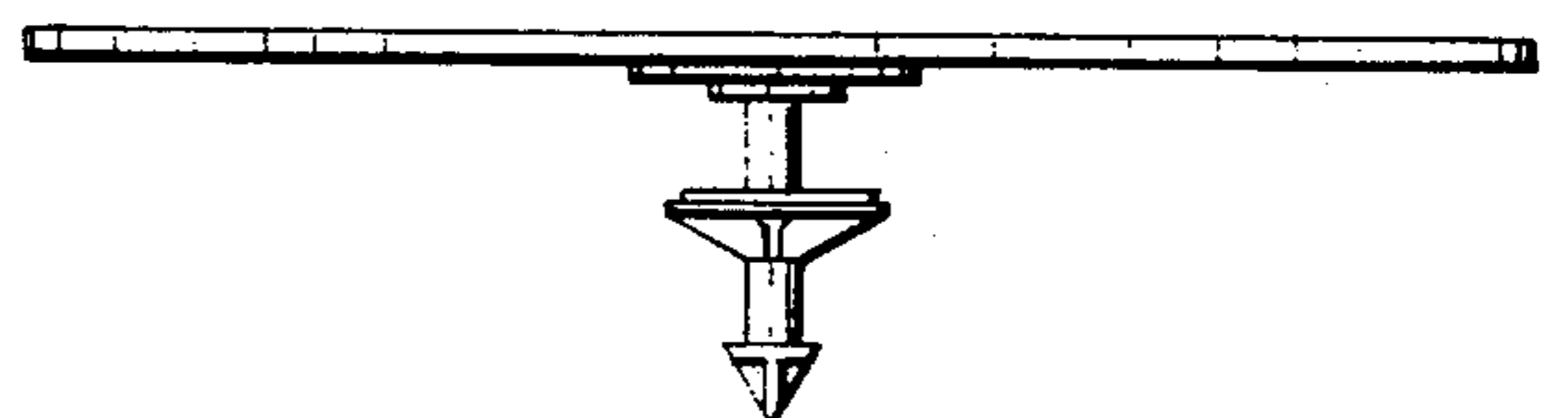


FIG 11

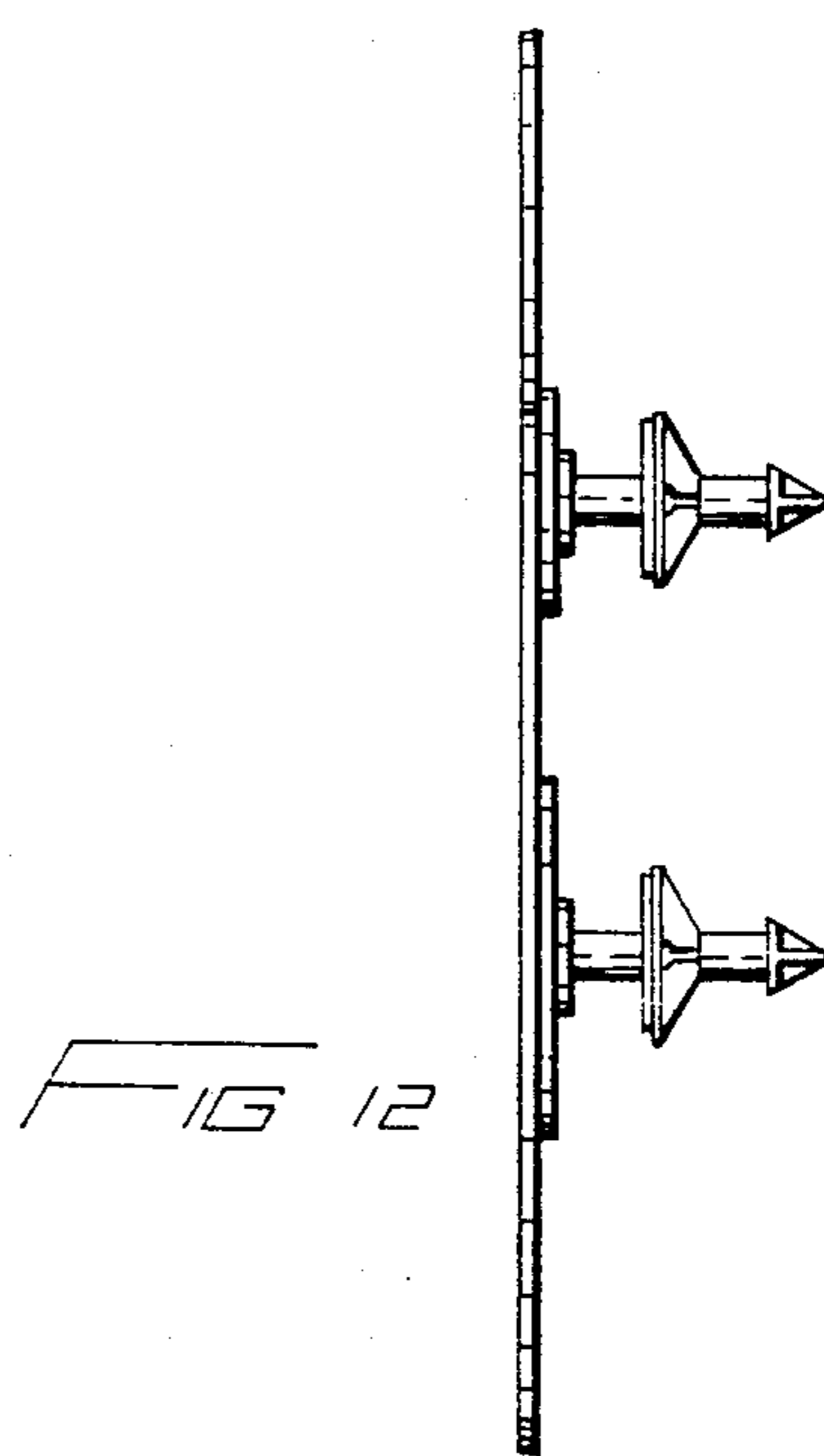


FIG 12