

[54] SUN BED

[76] Inventor: Derek C. Tolley, Eisteddfa Farm, Llanon, Llanelli, Dyfed, Wales

[**] Term: 14 Years

[21] Appl. No.: 344,306

[22] Filed: Feb. 1, 1982

[52] U.S. Cl. D24/39; D25/2

[58] Field of Search D24/39, 99, 1.1; D25/2; 128/372; D23/55

[56] References Cited

U.S. PATENT DOCUMENTS

D. 204,437	4/1966	Tecton	D24/39
D. 206,420	12/1966	Tecton	D24/39
D. 208,383	8/1967	Tecton	D24/39
D. 233,371	10/1974	Fila	D24/39
D. 266,788	11/1982	Du Bois	D24/39

FOREIGN PATENT DOCUMENTS

728347 2/1966 Canada D24/39 X

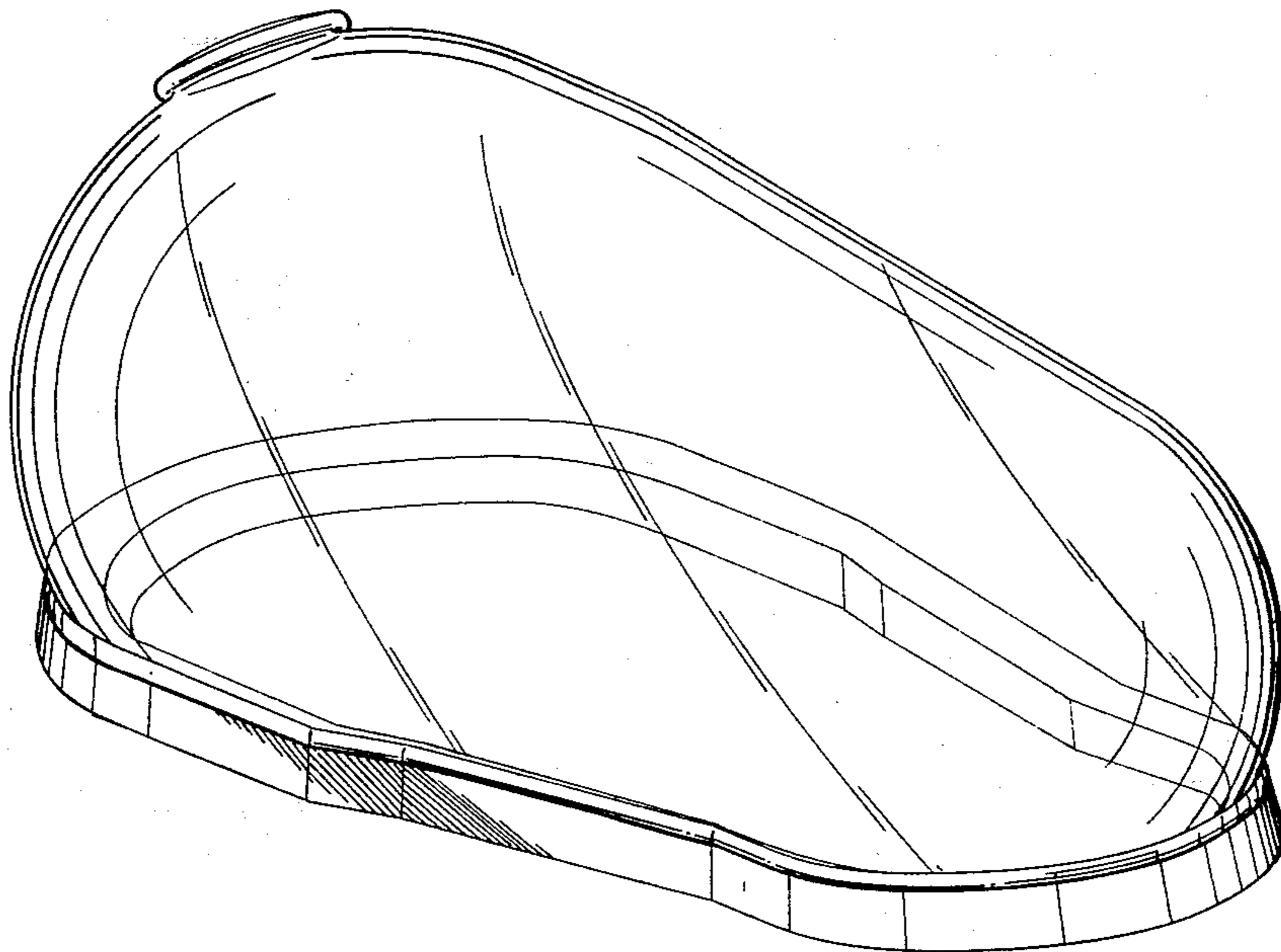
Primary Examiner—A. Hugo Word
Attorney, Agent, or Firm—Andrus, Scales, Starke & Sawall

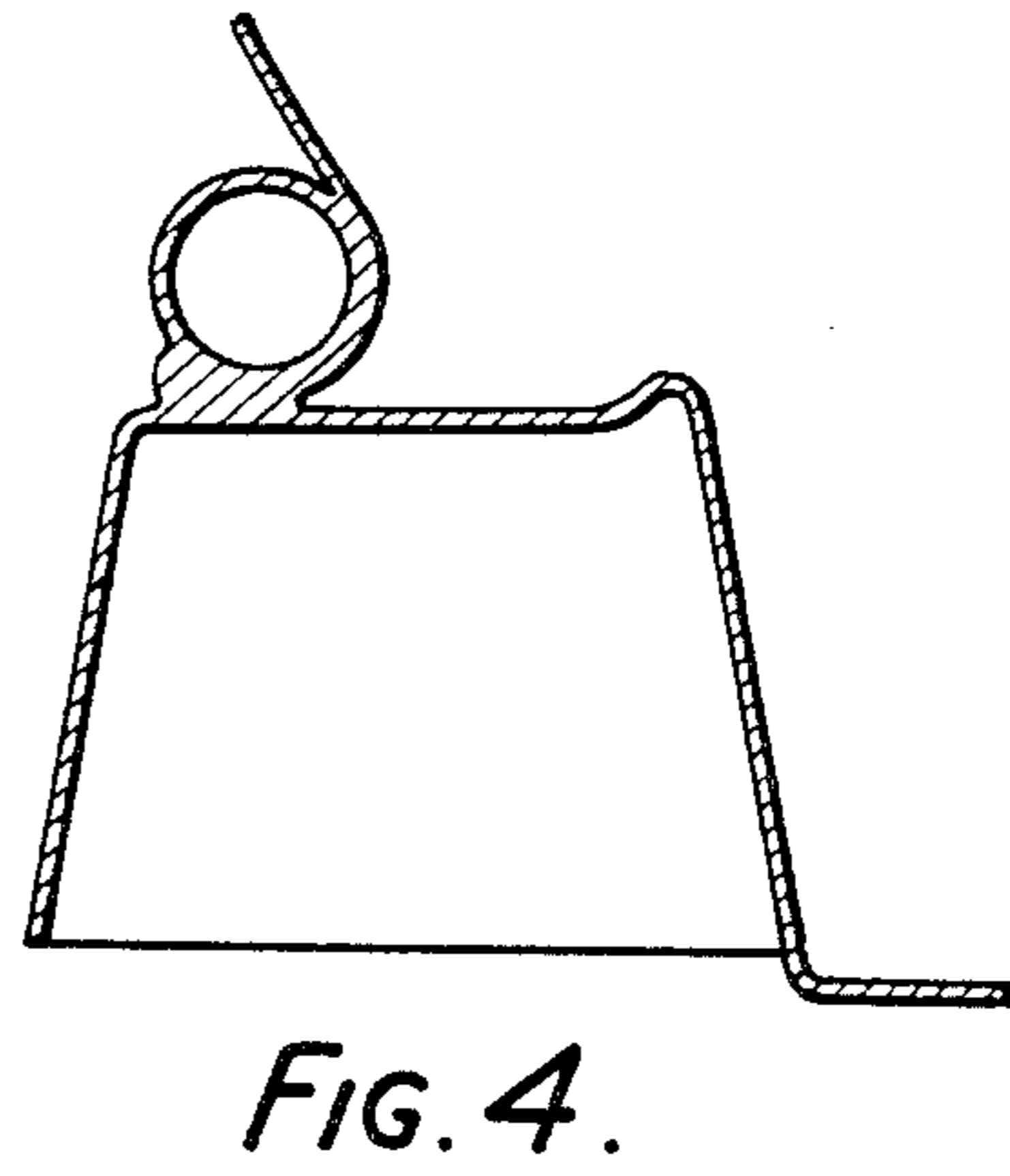
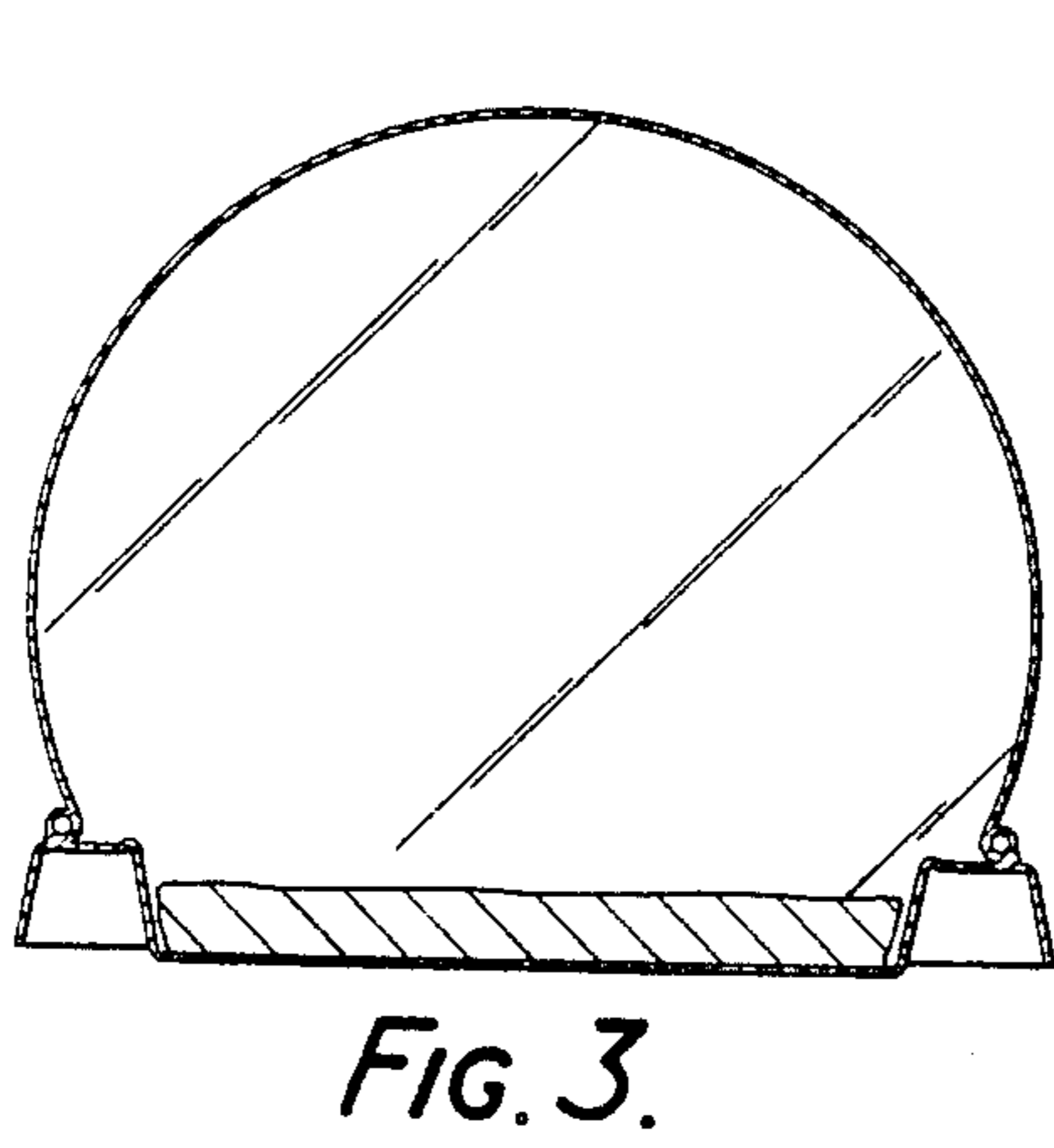
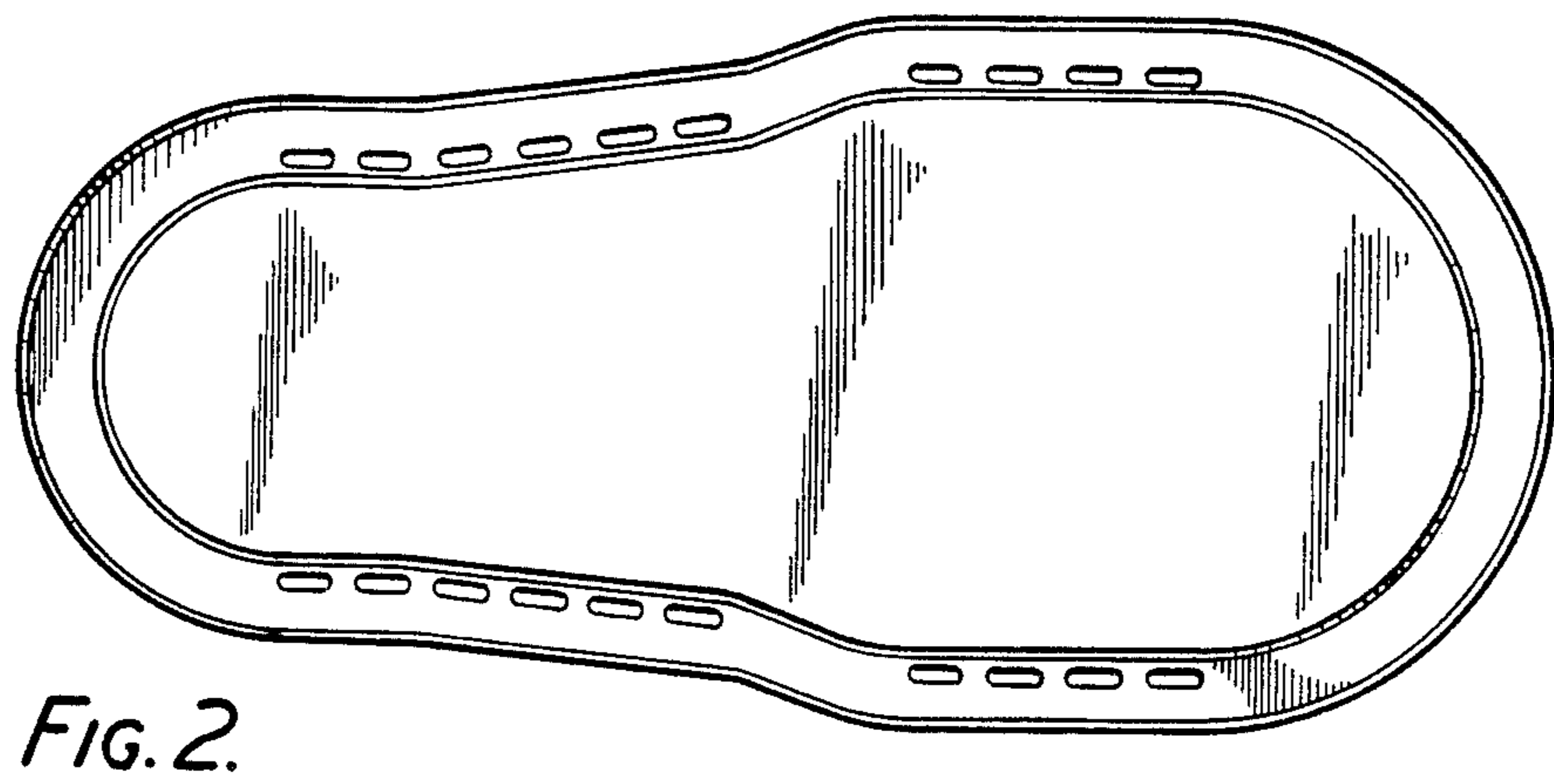
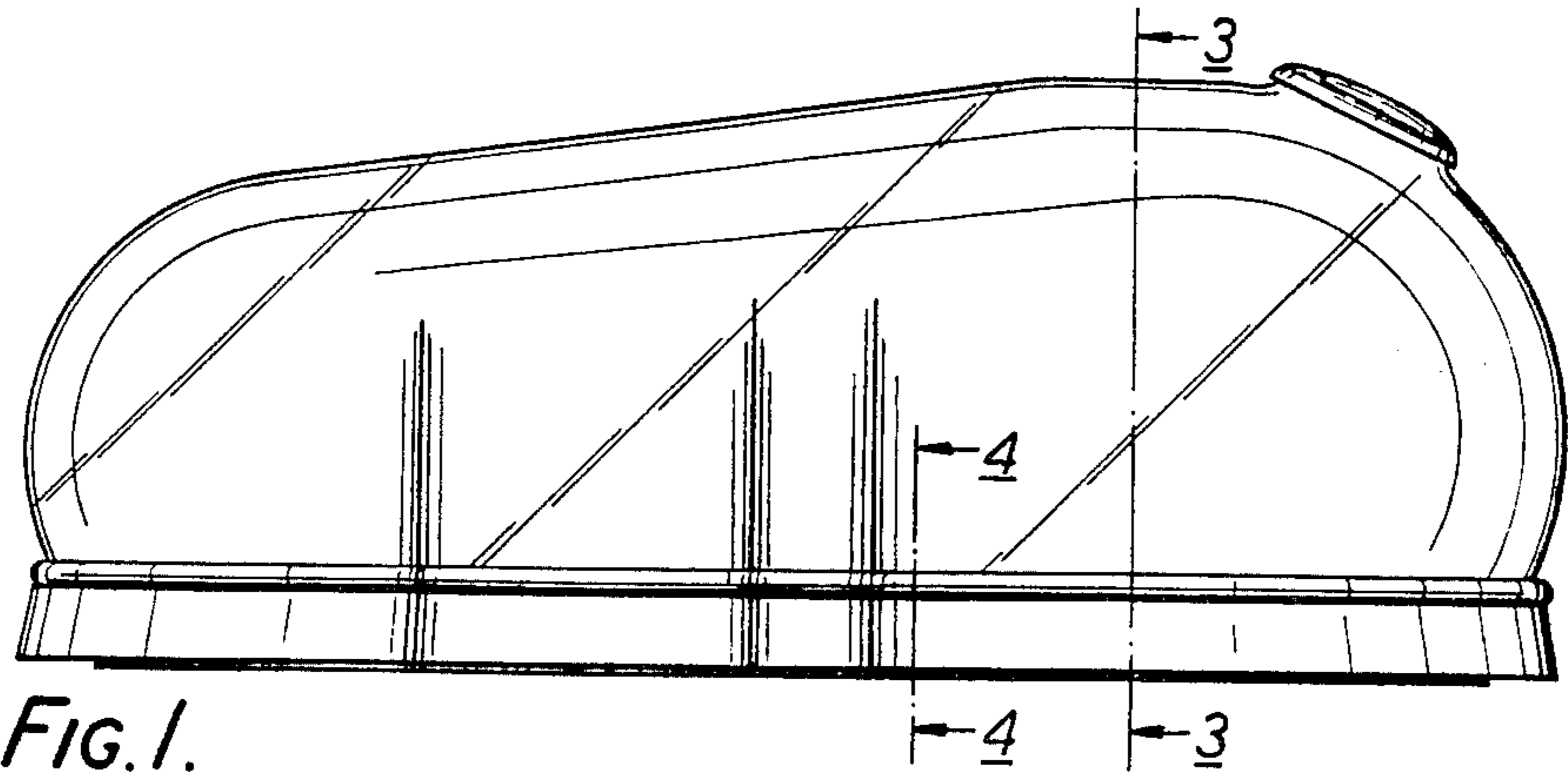
[57] CLAIM

The ornamental design for a sun bed, as shown.

DESCRIPTION

FIG. 1 is a side elevational view of a sun bed showing my new design;
FIG. 2 is a bottom plan view thereof;
FIG. 3 is a sectional view thereof taken on line 3—3 of FIG. 1;
FIG. 4 is a sectional view thereof taken on line 4—4 of FIG. 1; and
FIG. 5 is a top perspective view thereof.





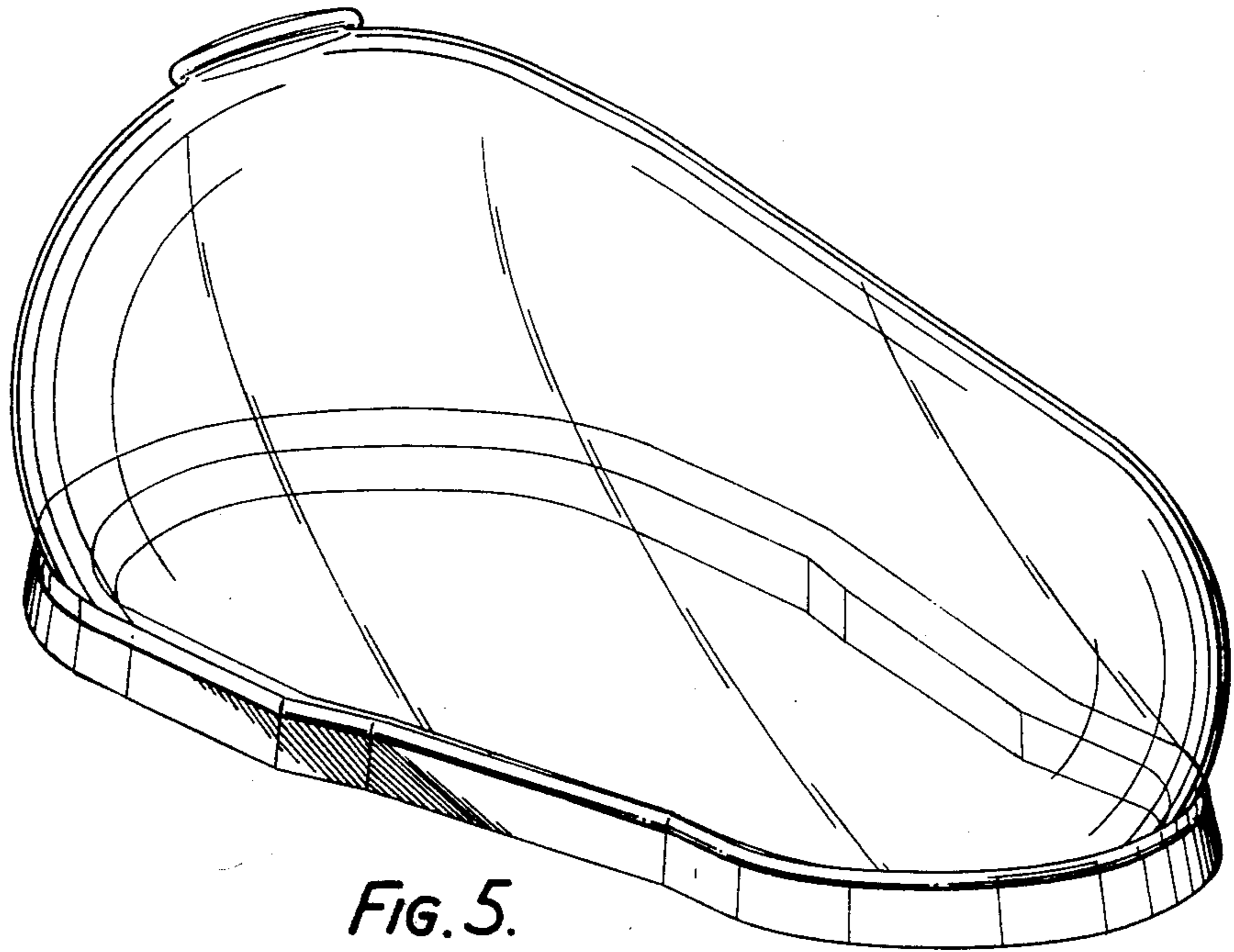


FIG. 5.