

[54] **COMBINED INHALATOR AND FACIAL TREATMENT VAPOR APPLICATOR MASK FOR RESERVOIR**

[75] **Inventor: Horst D. Pohlmann, Maintal, Fed. Rep. of Germany**

[73] **Assignee: Degussa Aktiengesellschaft, Frankfurt am Main, Fed. Rep. of Germany**

[\*\*] **Term: 14 Years**

[21] **Appl. No.: 440,591**

[22] **Filed: Nov. 10, 1982**

[52] **U.S. Cl. .... D23/148; D24/36; D28/9**

[58] **Field of Search .... D28/9, 12, 99; D24/36-38; D23/48, 51, 146, 148; D29/7; 219/271; 4/537; 128/368**

[56] **References Cited**

**U.S. PATENT DOCUMENTS**

- D. 208,514 9/1967 Hartwell ..... D24/37 X  
 D. 209,364 11/1967 Katzman et al. .... D24/36  
 D. 212,284 9/1968 Mitchell ..... D23/148

- D. 212,285 9/1968 Mitchell ..... D23/148  
 3,152,240 10/1964 Scott ..... D23/148 X  
 3,351,737 7/1967 Katzman et al. .... 128/368 X

**FOREIGN PATENT DOCUMENTS**

- 957904 9/1982 U.S.S.R. .... 4/537

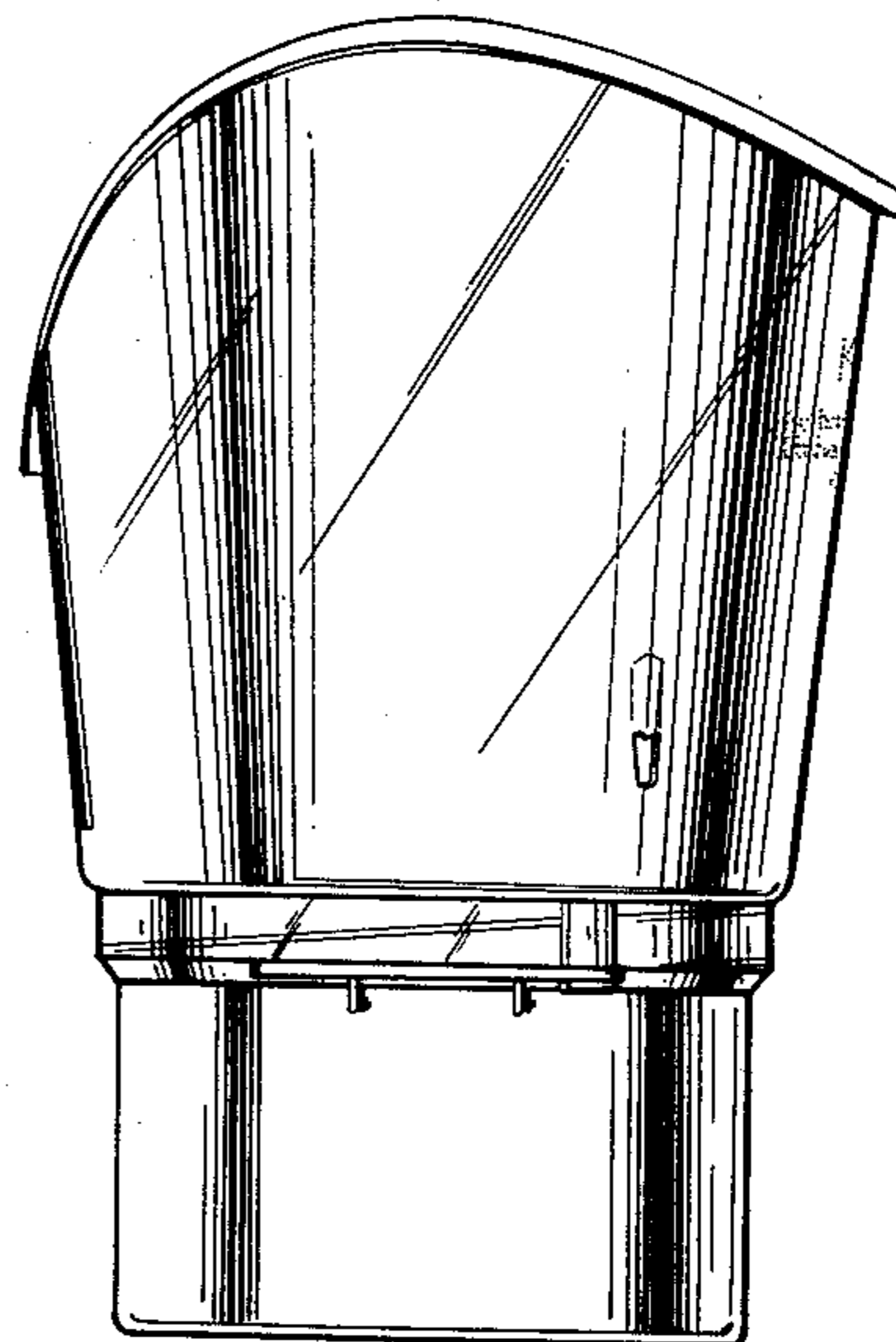
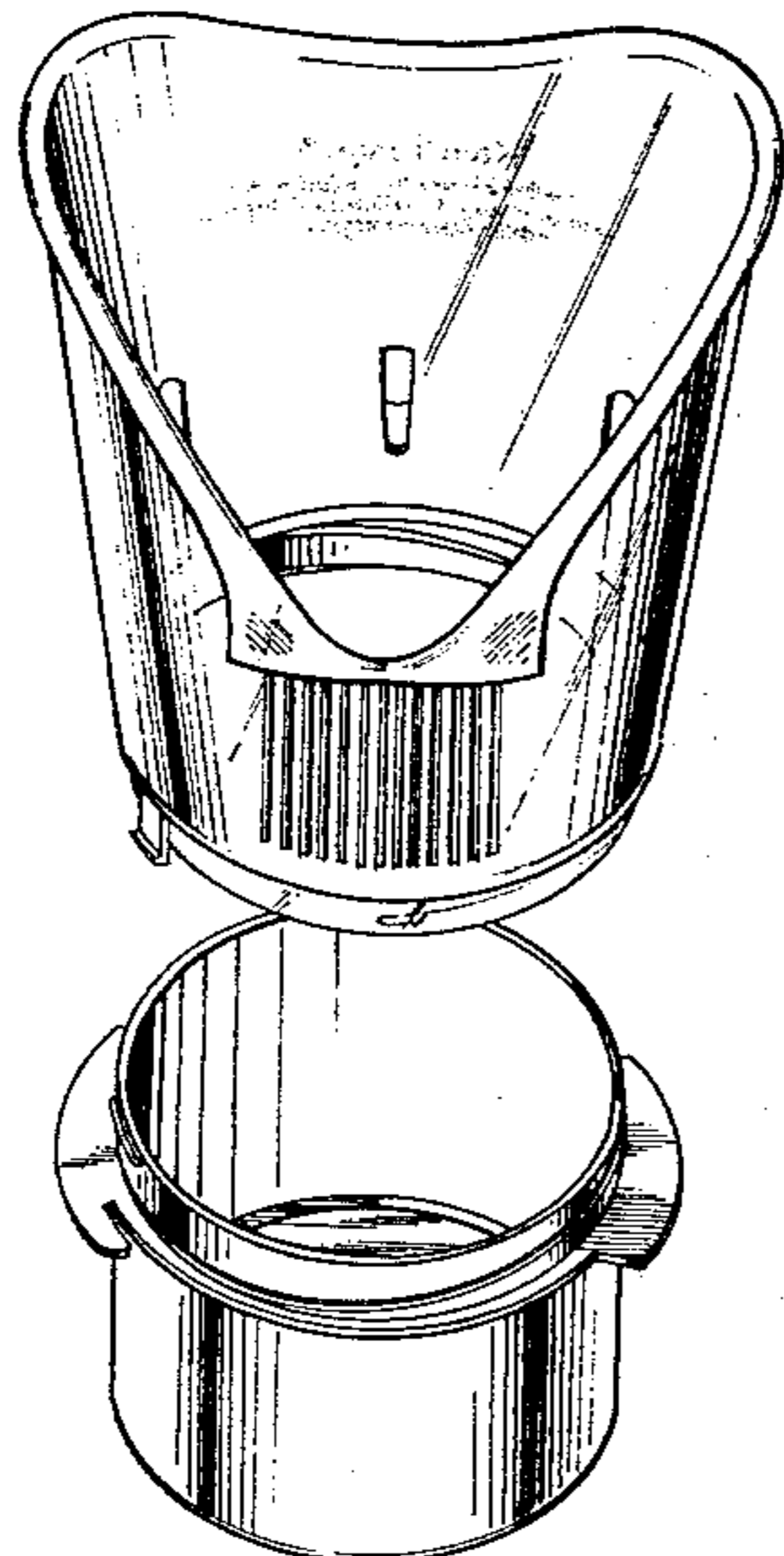
*Primary Examiner—Louis S. Zarfes*  
*Attorney, Agent, or Firm—Cushman, Darby & Cushman*

[57] **CLAIM**

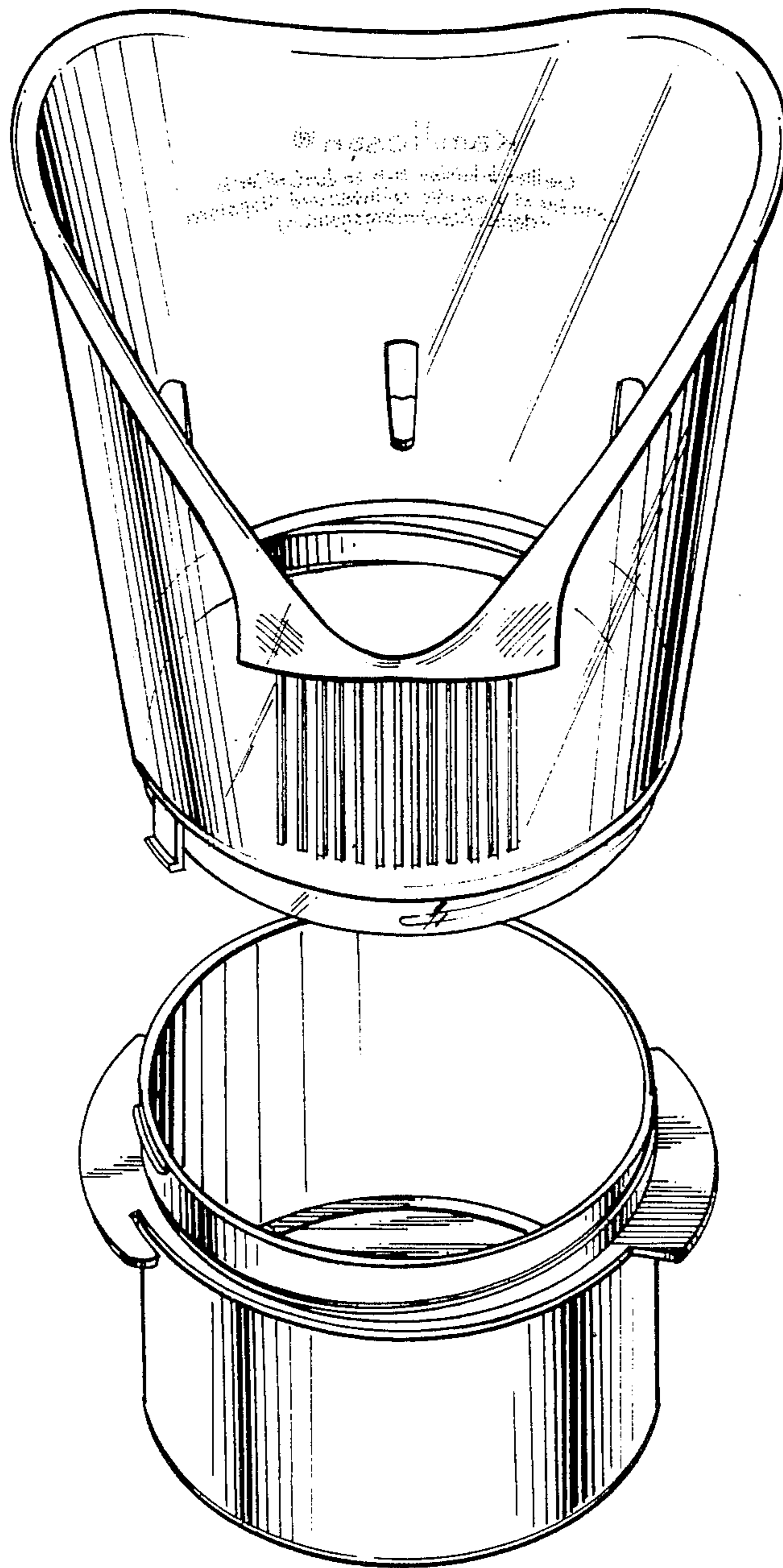
The ornamental design for a combined inhalator and facial treatment vapor applicator mask and reservoir, as shown and described.

**DESCRIPTION**

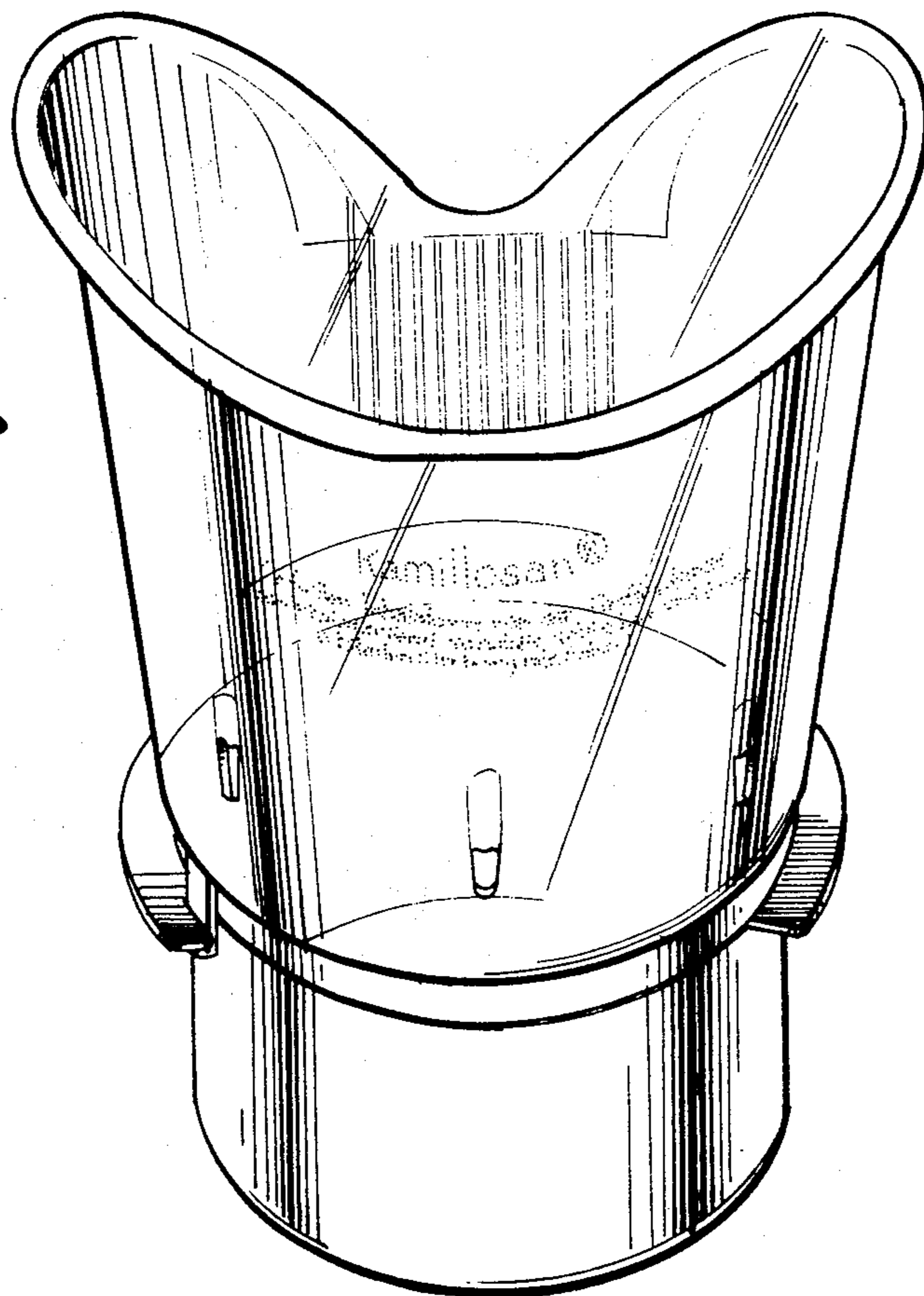
FIG. 1 is an exploded perspective view of a combined inhalator and facial treatment vapor applicator mask and reservoir showing my new design;  
 FIG. 2 is an assembled perspective view thereof;  
 FIG. 3 is a top plan view thereof;  
 FIG. 4 is a bottom plan view thereof;  
 FIG. 5 is a front elevational view thereof;  
 FIG. 6 is a rear elevational view thereof; and  
 FIG. 7 is a right side elevational view thereof.  
 A left side elevational view would appear as a mirror image of FIG. 7.



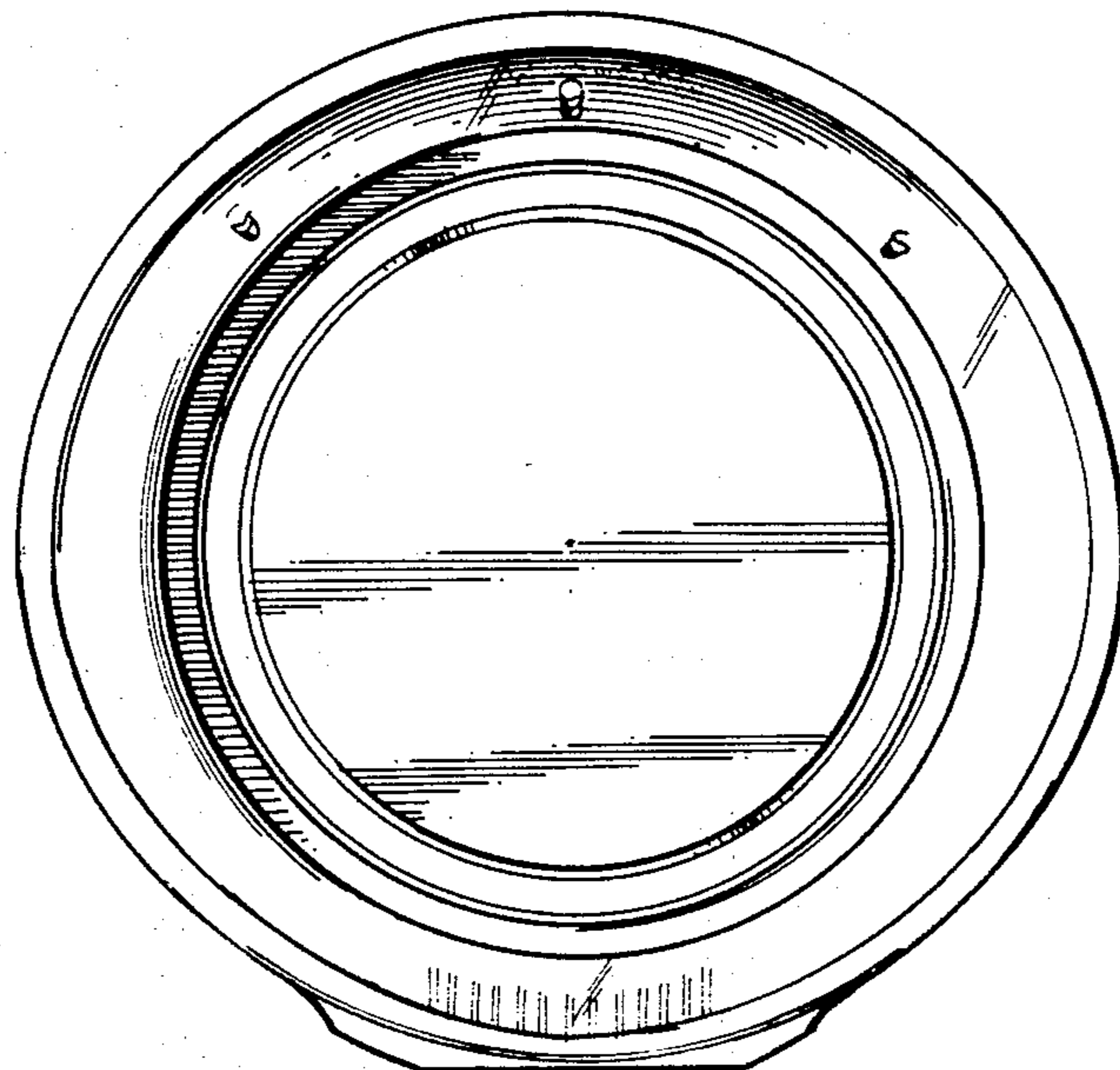
*Fig. 1*



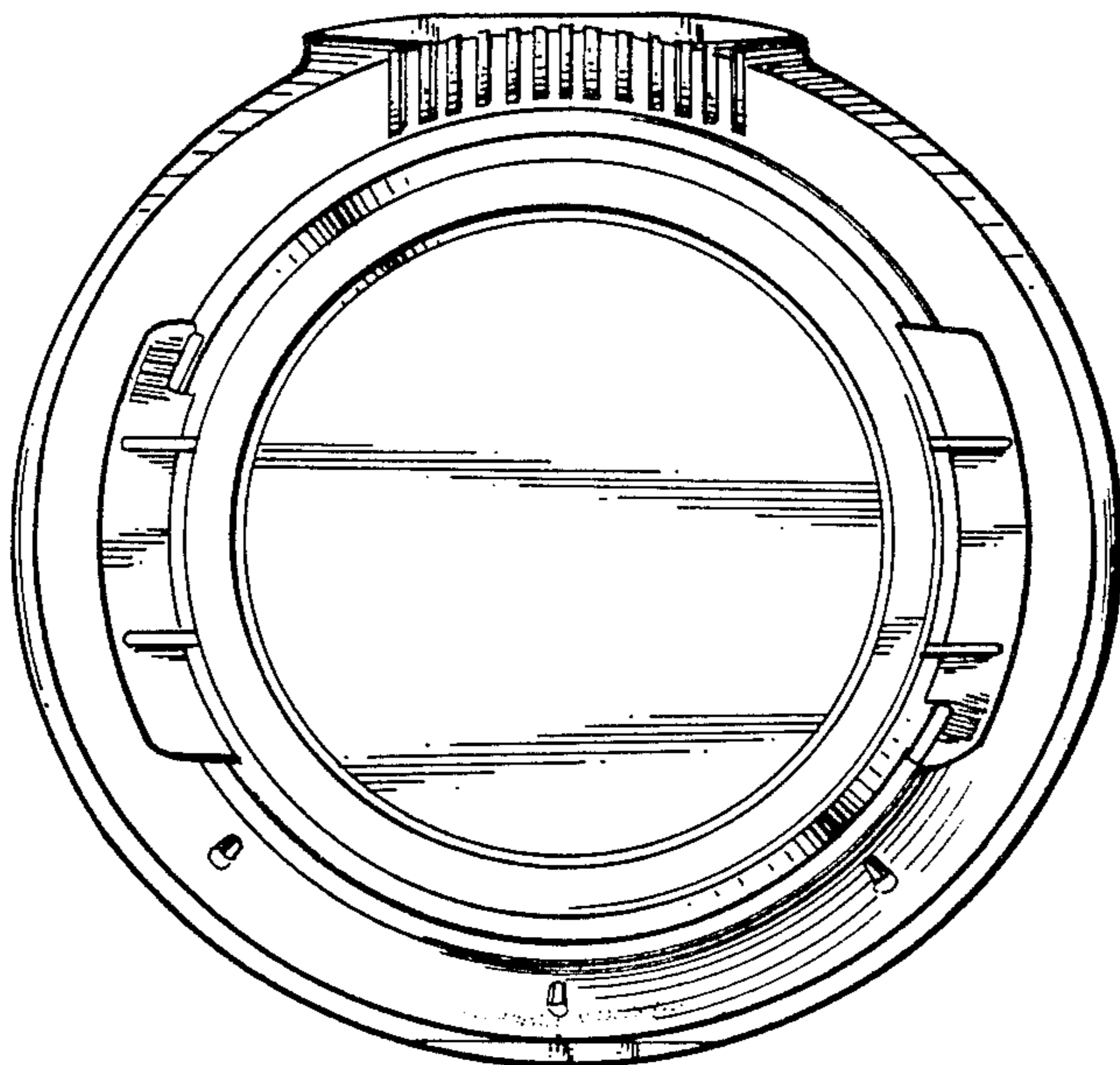
*Fig. 2*



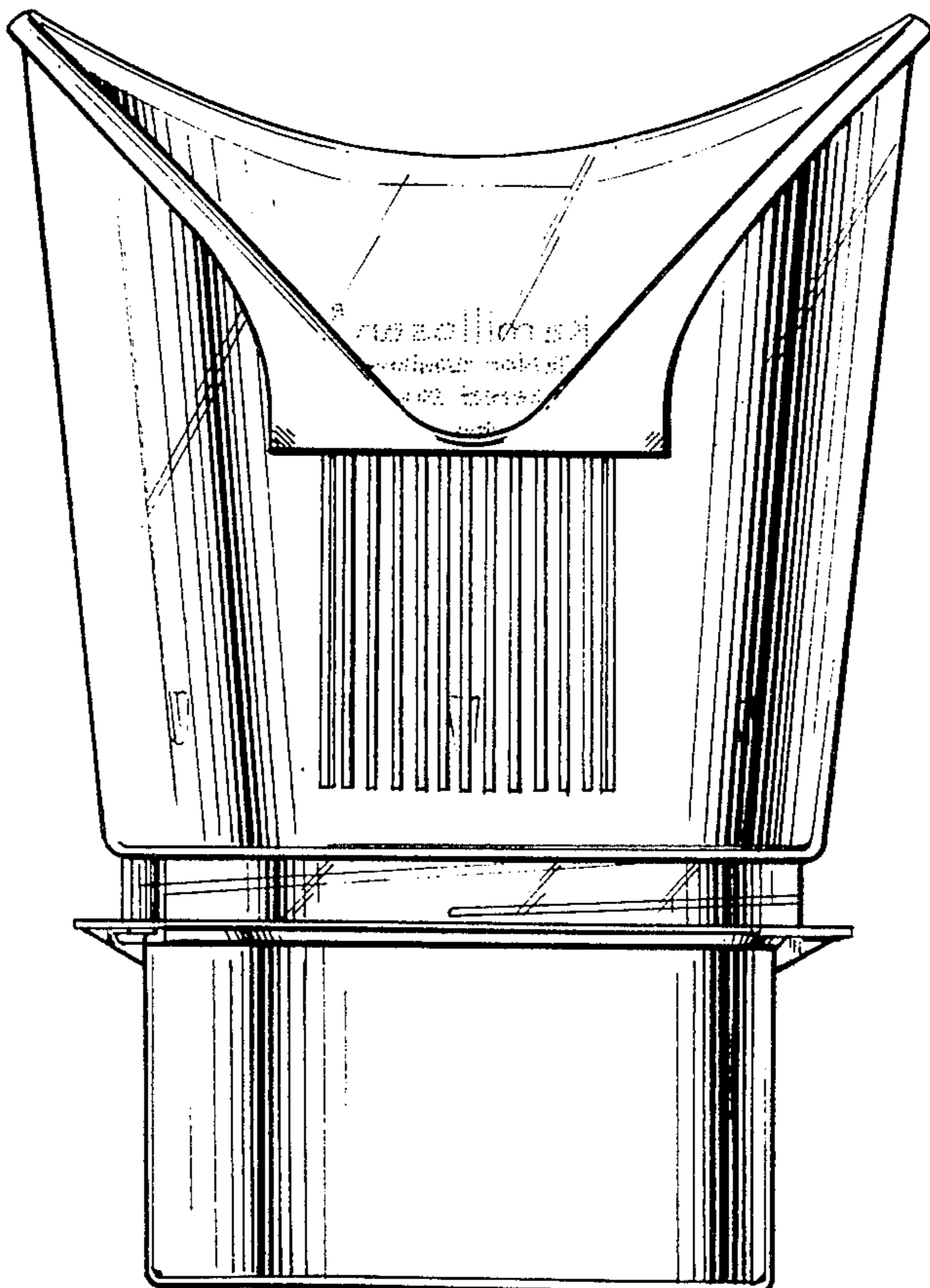
*Fig. 3*



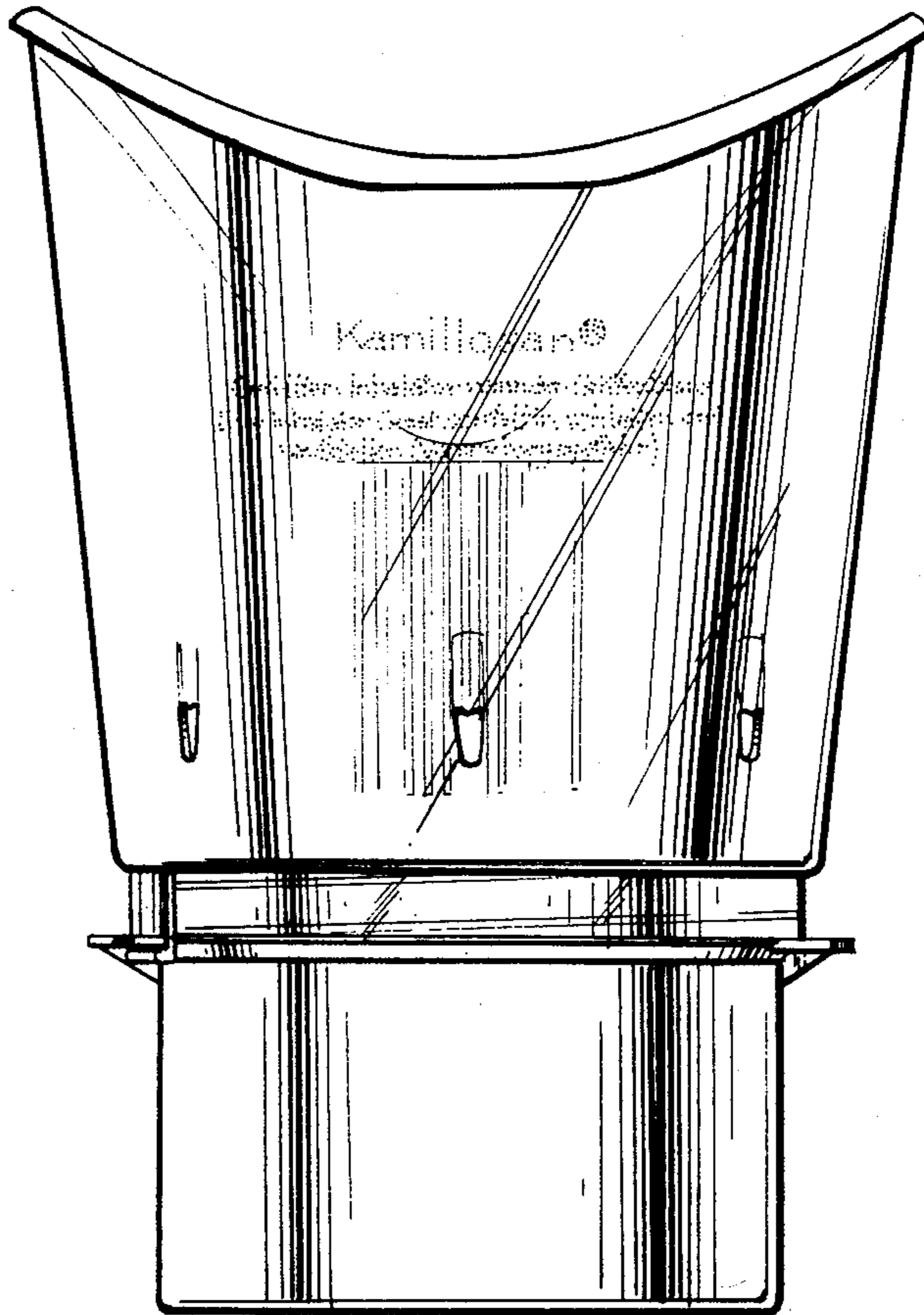
*Fig. 4*



*Fig. 5*



*Fig. 6*



*Fig. 7*

