

- [54] WATERING CAN
- [75] Inventor: James H. Schwartzburg, Lawrence, Kans.
- [73] Assignee: Packer Plastics, Inc., Lawrence, Kans.
- [**] Term: 14 Years
- [21] Appl. No.: 518,697
- [22] Filed: Jul. 29, 1983
- [52] U.S. Cl. D23/11; D7/318; D7/320
- [58] Field of Search D23/11; D32/53; D7/312, D7/318, 320; 239/375-379, 390, 391; 222/565, 567, 572, 573

- D. 256,152 7/1980 Darnel D23/11
- D. 266,018 8/1982 Dilyard D23/11
- D. 266,450 10/1982 Swett et al. D23/11
- D. 266,690 10/1982 Levin D23/11
- 3,648,933 3/1972 Grotz 239/377

Primary Examiner—James R. Largen
 Attorney, Agent, or Firm—Kokjer, Kircher, Bradley, Wharton, Bowman & Johnson

[57] CLAIM

The ornamental design for a watering can, as shown and described.

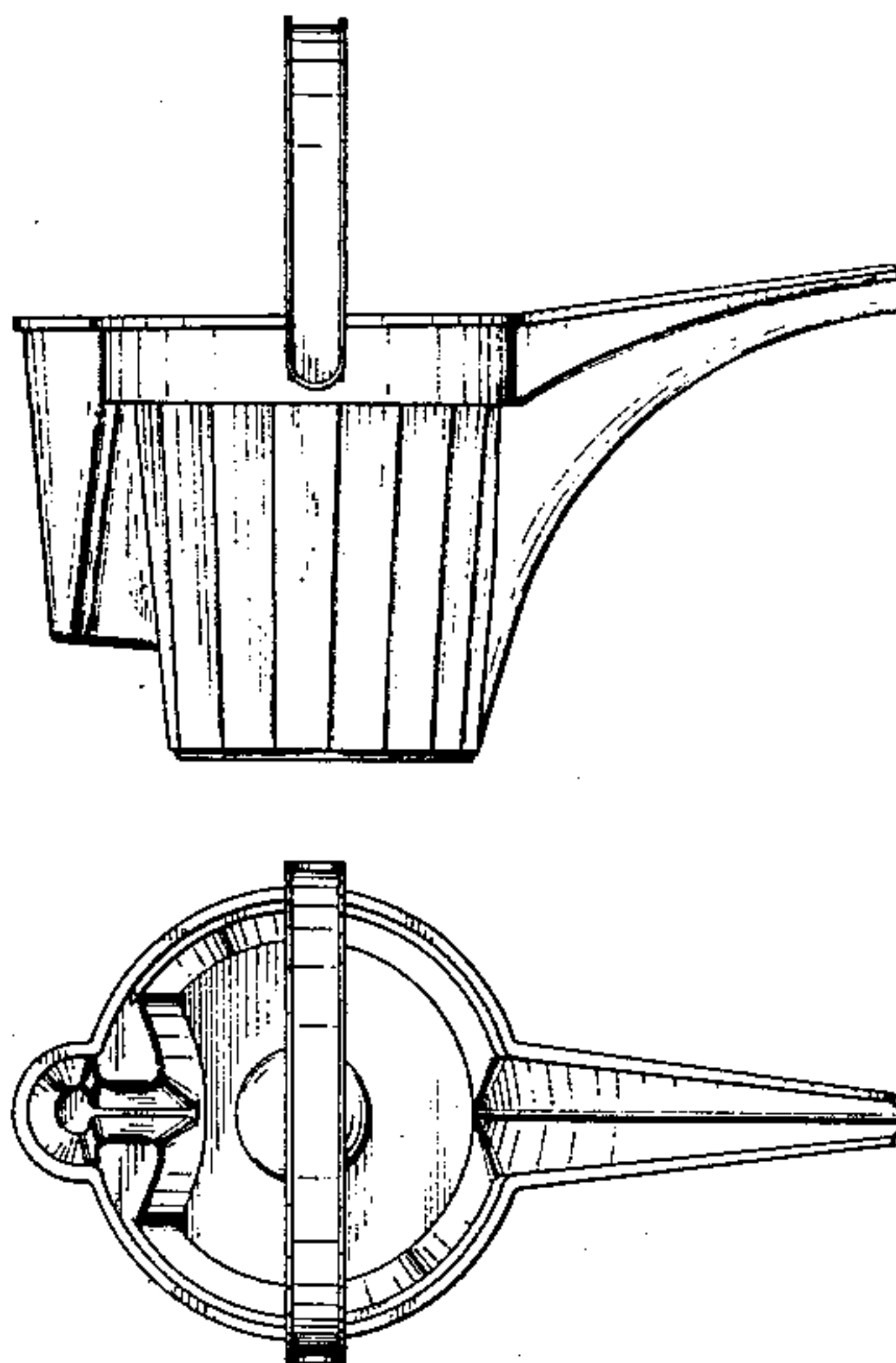
DESCRIPTION

FIG. 1 is a left side elevational view of a watering can showing my new design, the right side being a mirror image of the left side shown;
 FIG. 2 is a rear elevational view thereof;
 FIG. 3 is a front elevational view thereof;
 FIG. 4 is a top plan view thereof; and
 FIG. 5 is a bottom plan view thereof.

[56] References Cited

U.S. PATENT DOCUMENTS

- D. 184,893 4/1959 Reinecke D23/11
- D. 241,032 8/1976 Burke et al. D23/11



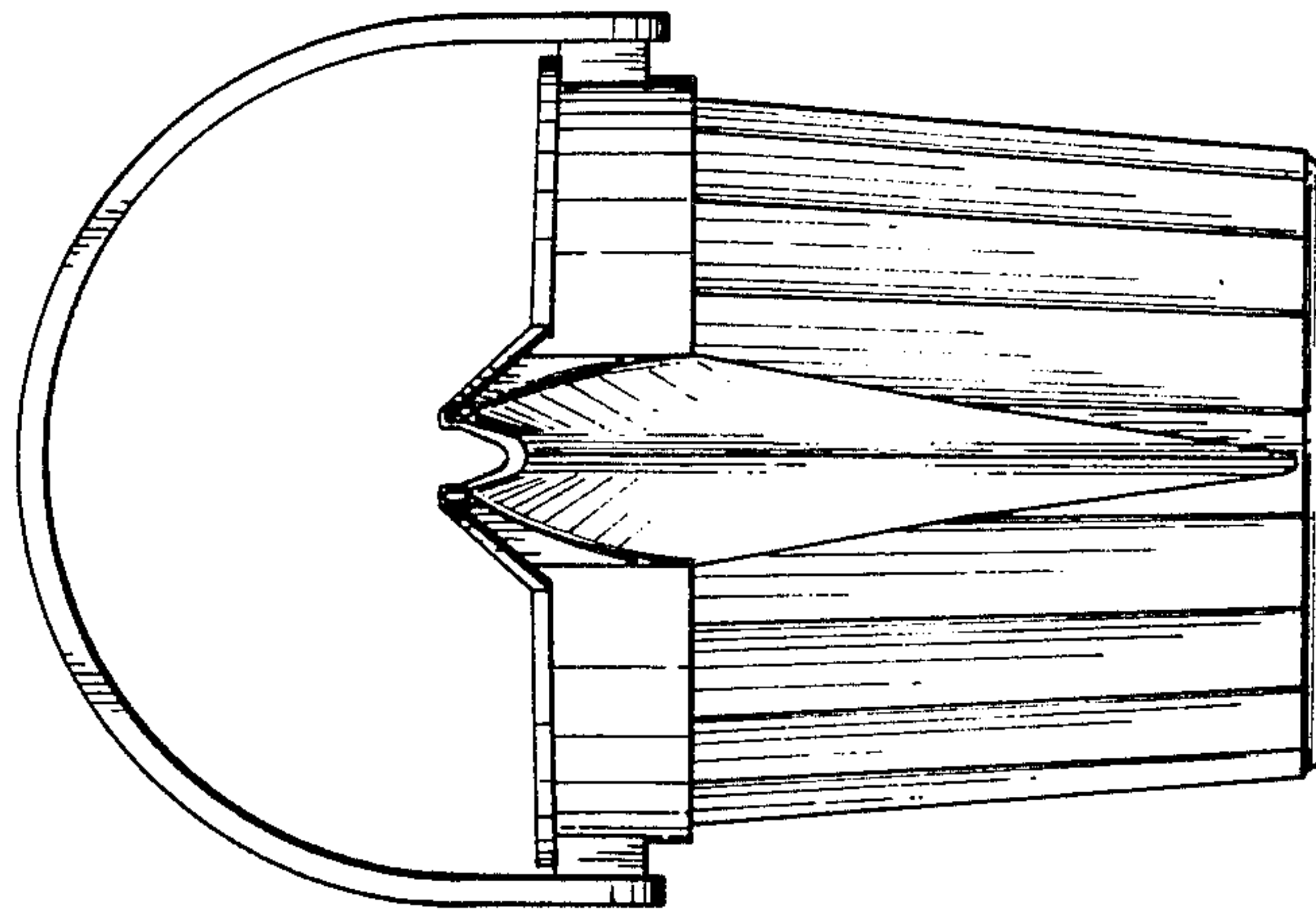
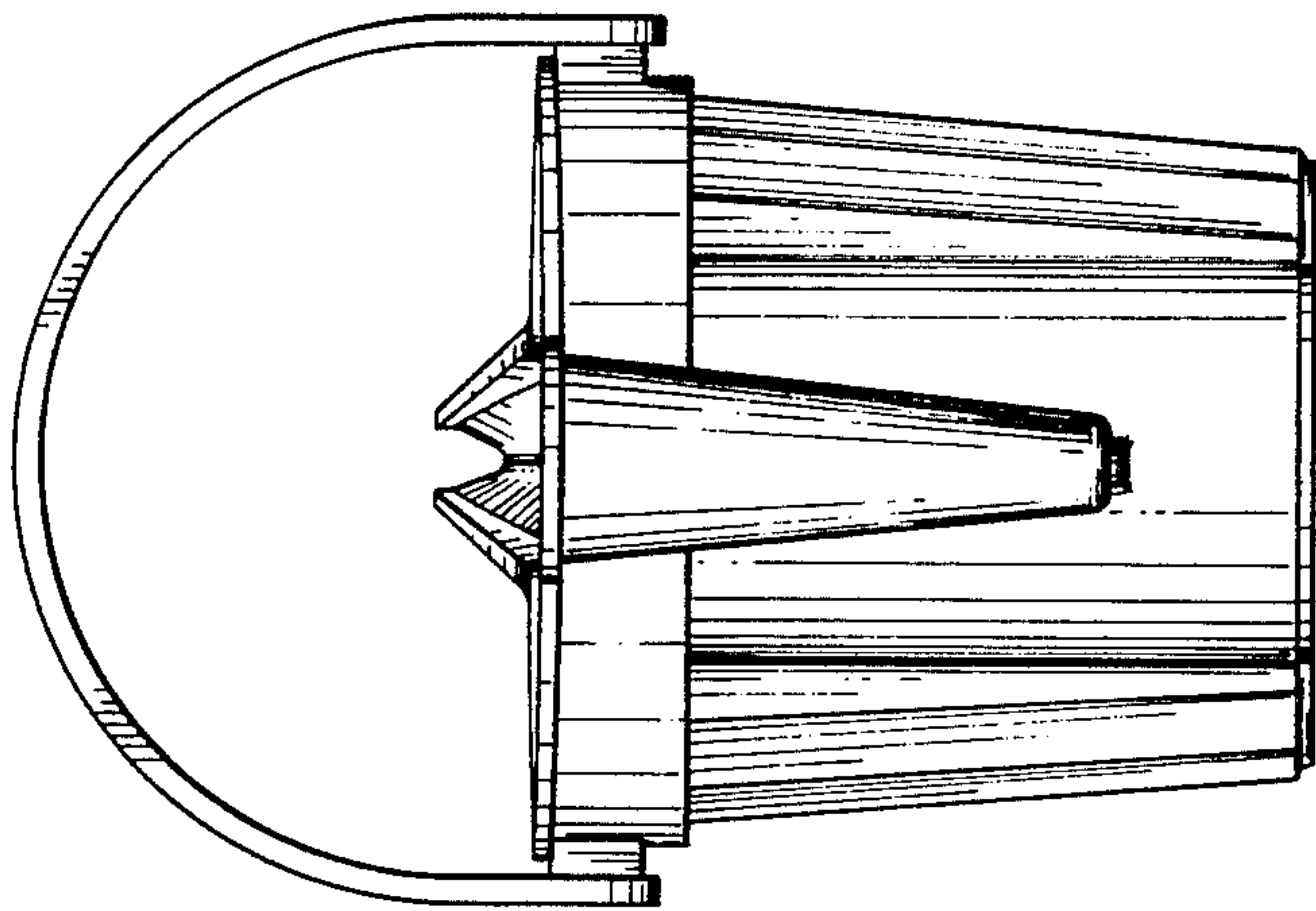
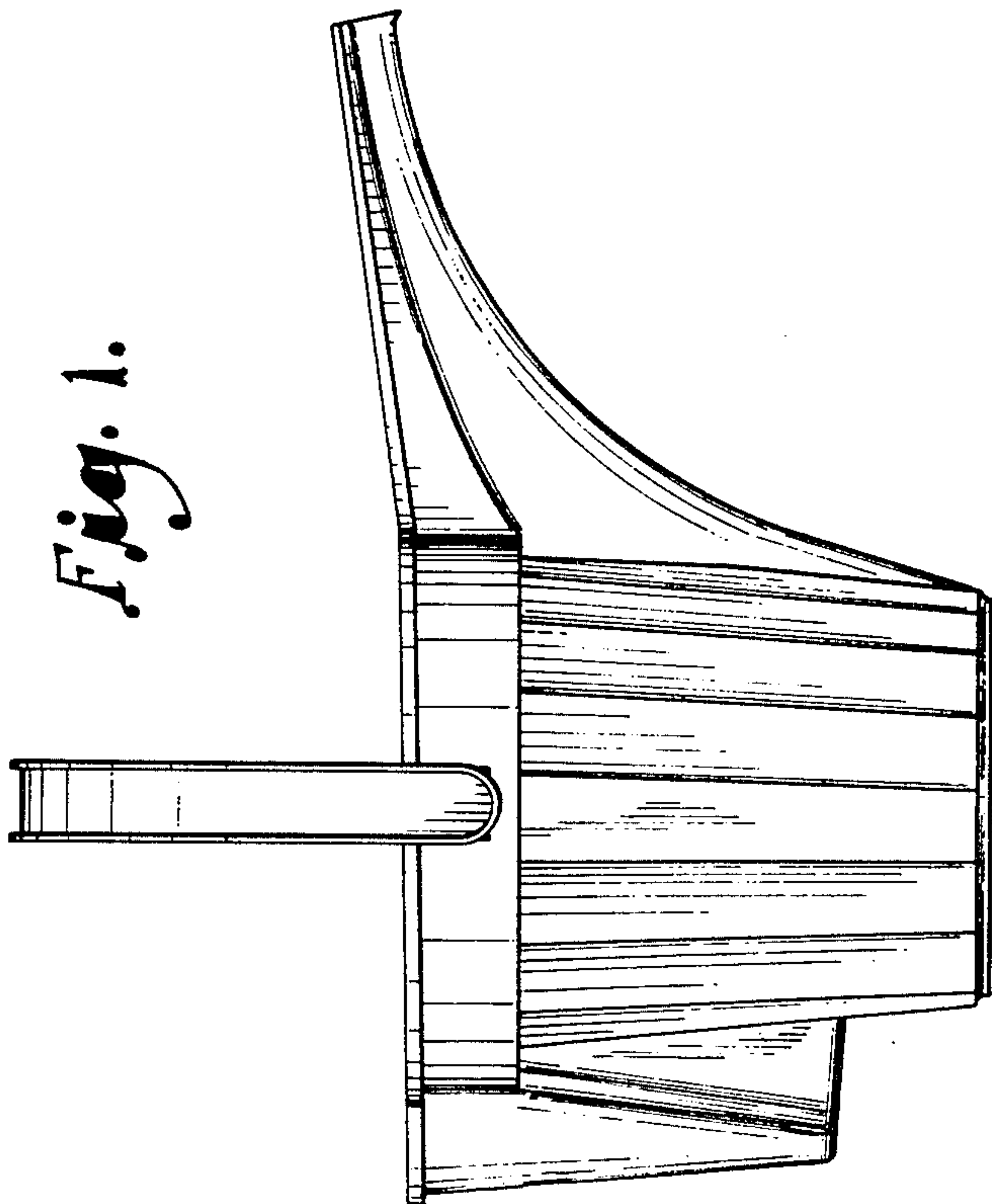


Fig. 2.

Fig. 3.

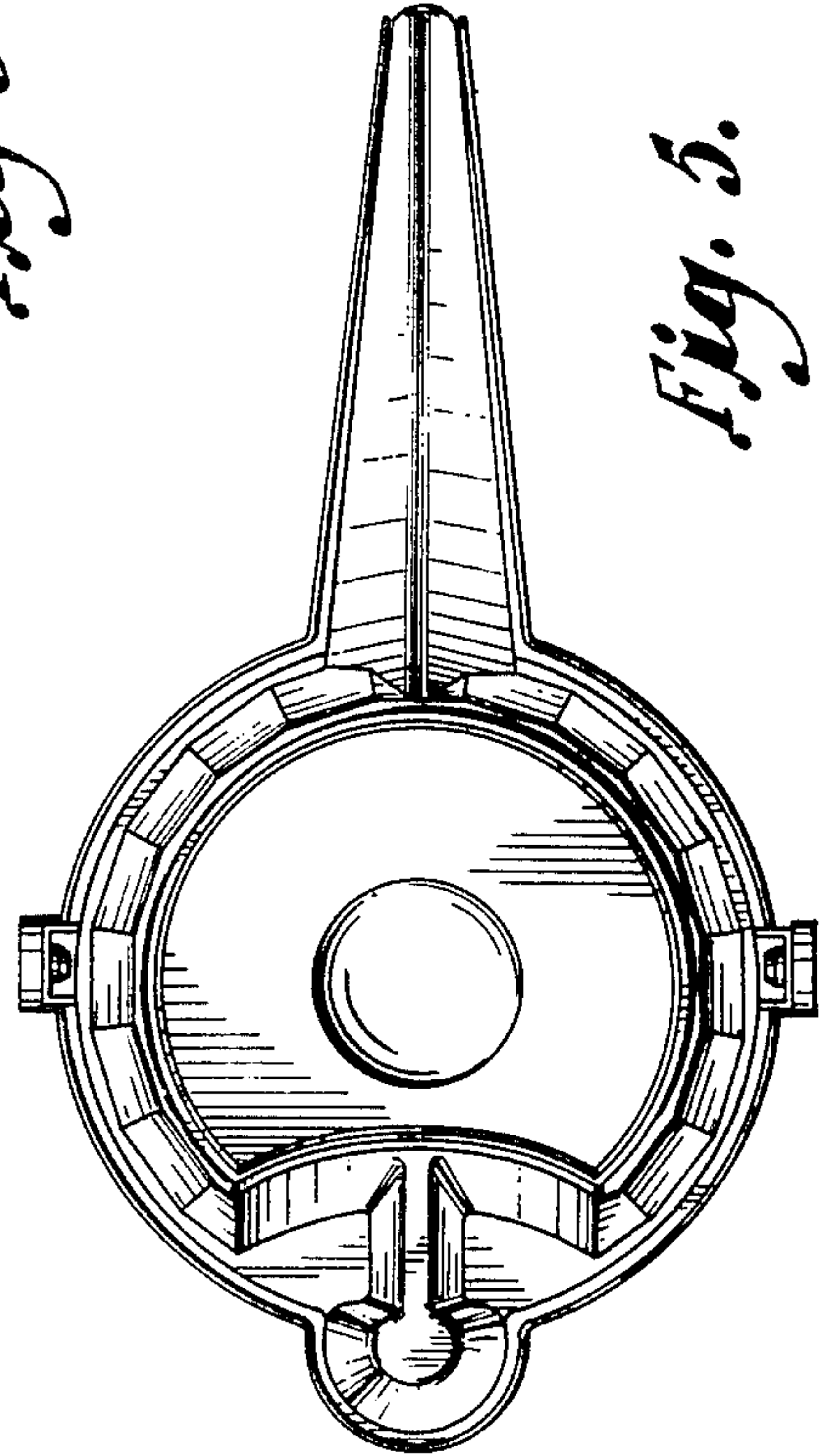
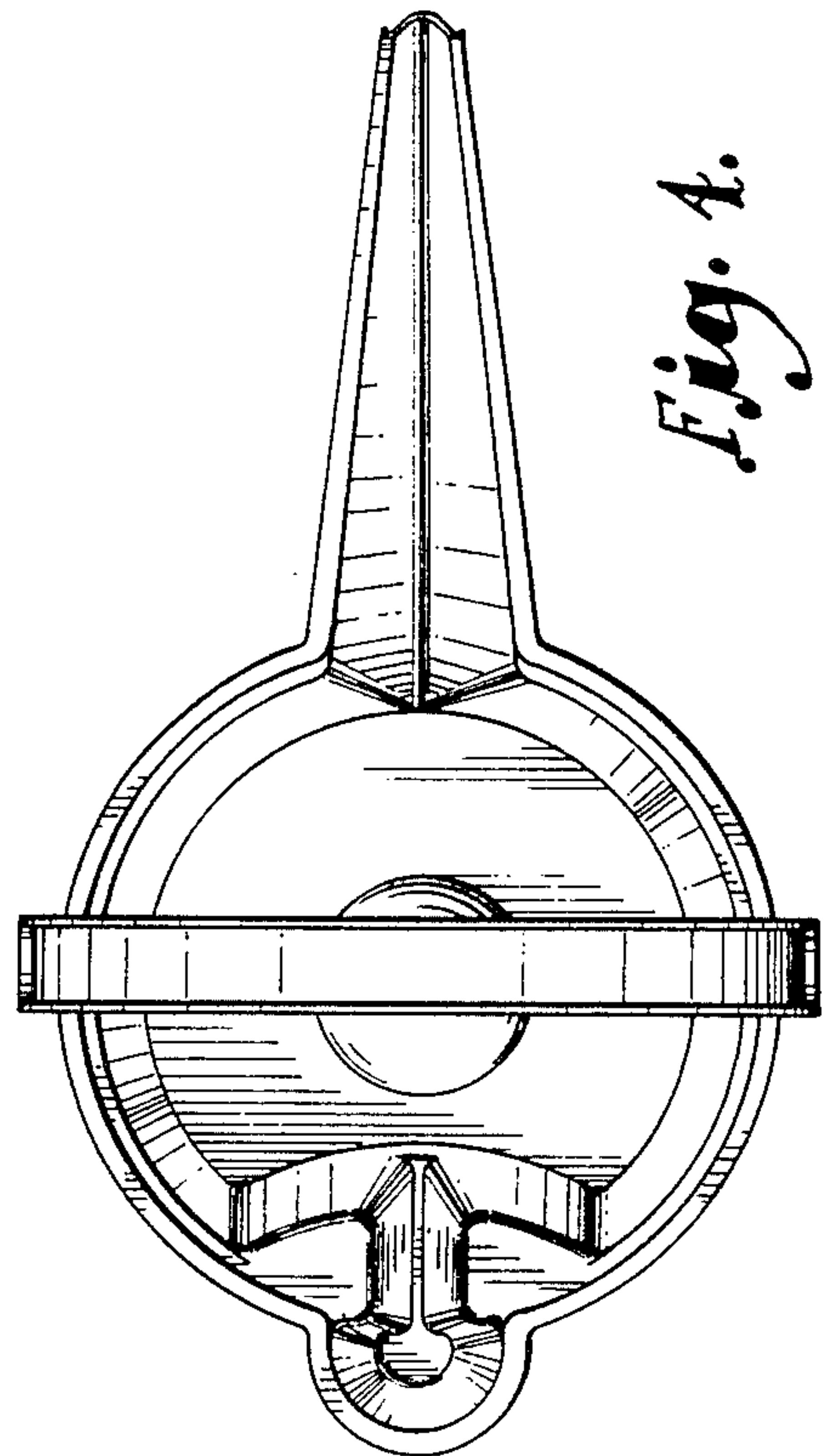


Fig. 4.

Fig. 5.