

[54] **SUSPENDED CEILING SIGN**

[75] **Inventor: Ronald W. Cobb, Atlanta, Ga.**

[73] **Assignee: Apco Graphics, Inc., Atlanta, Ga.**

[**] **Term: 14 Years**

[21] **Appl. No.: 548,301**

[22] **Filed: Nov. 3, 1983**

[52] **U.S. Cl. D20/42**

[58] **Field of Search D20/10, 42; 40/584,
40/617, 611, 541, 553, 559, 612, 564**

[56] **References Cited**

U.S. PATENT DOCUMENTS

D. 250,555 12/1978 Belokin, Jr. D20/42

*Primary Examiner—Catherine E. Kemper
Attorney, Agent, or Firm—Jones & Askew*

[57] **CLAIM**

The ornamental design for the suspended ceiling sign, substantially as shown and described.

DESCRIPTION

FIG. 1 is an isometric view with part of one side shown broken away to reveal interior detail, showing a first embodiment of my suspended ceiling sign.

FIG. 2 is a front elevational view thereof.

FIG. 3 is a side view thereof, shown unbroken.

FIG. 4 is a rear view thereof.

FIG. 5 is a top view thereof.

FIG. 6 is a bottom view thereof.

FIG. 7 is an isometric view with part of one side shown broken away to reveal interior detail, showing a second embodiment of my suspended ceiling sign, the front and back views being the same as FIGS. 2 and 3 respectively.

FIG. 8 is a side view thereof, shown unbroken.

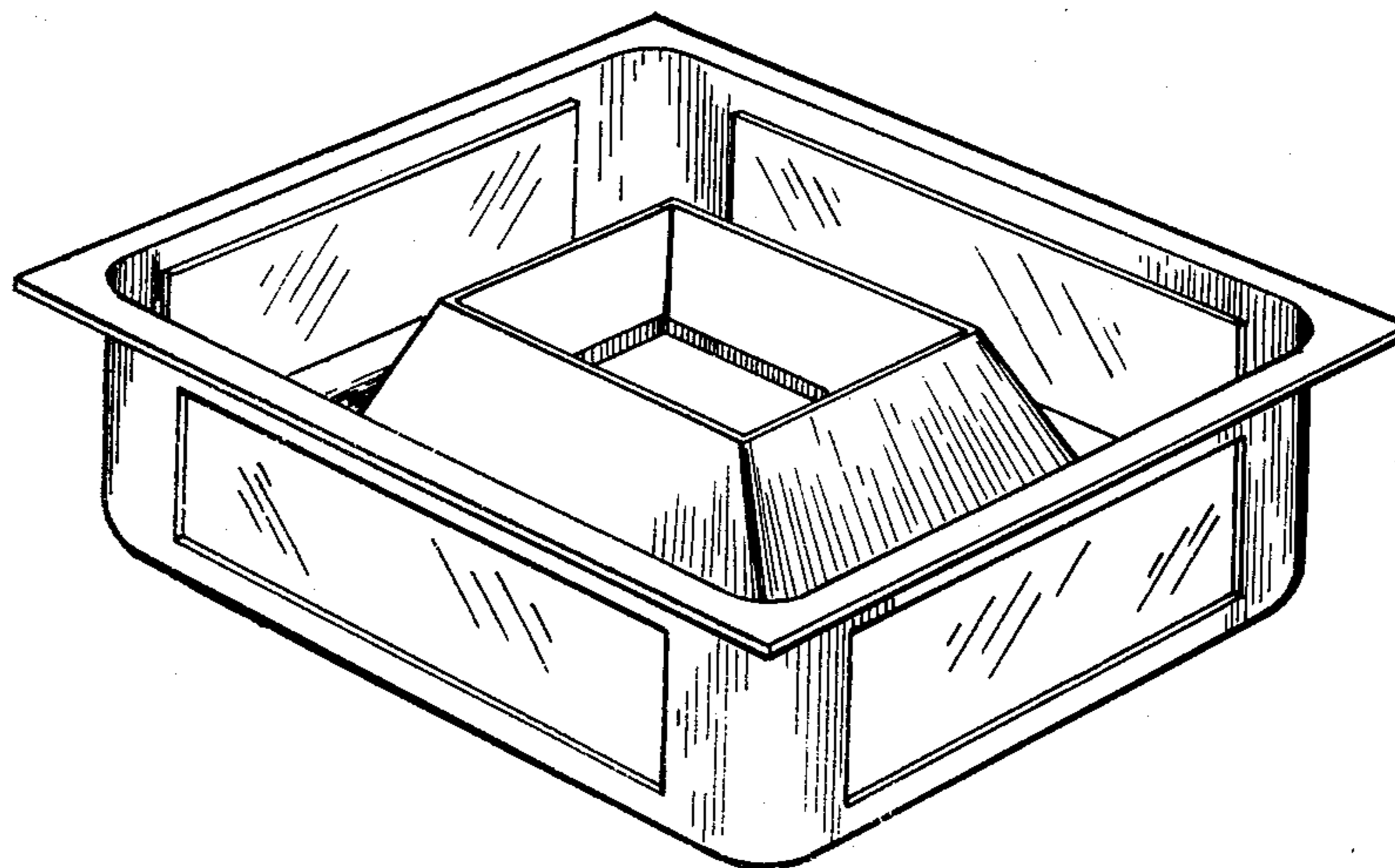
FIG. 9 is a top view thereof.

FIG. 10 is a bottom view thereof.

FIG. 11 is an isometric view, shown unbroken, showing a third embodiment of my suspended ceiling sign.

FIG. 12 is a back view thereof.

FIG. 13 is a side view thereof.



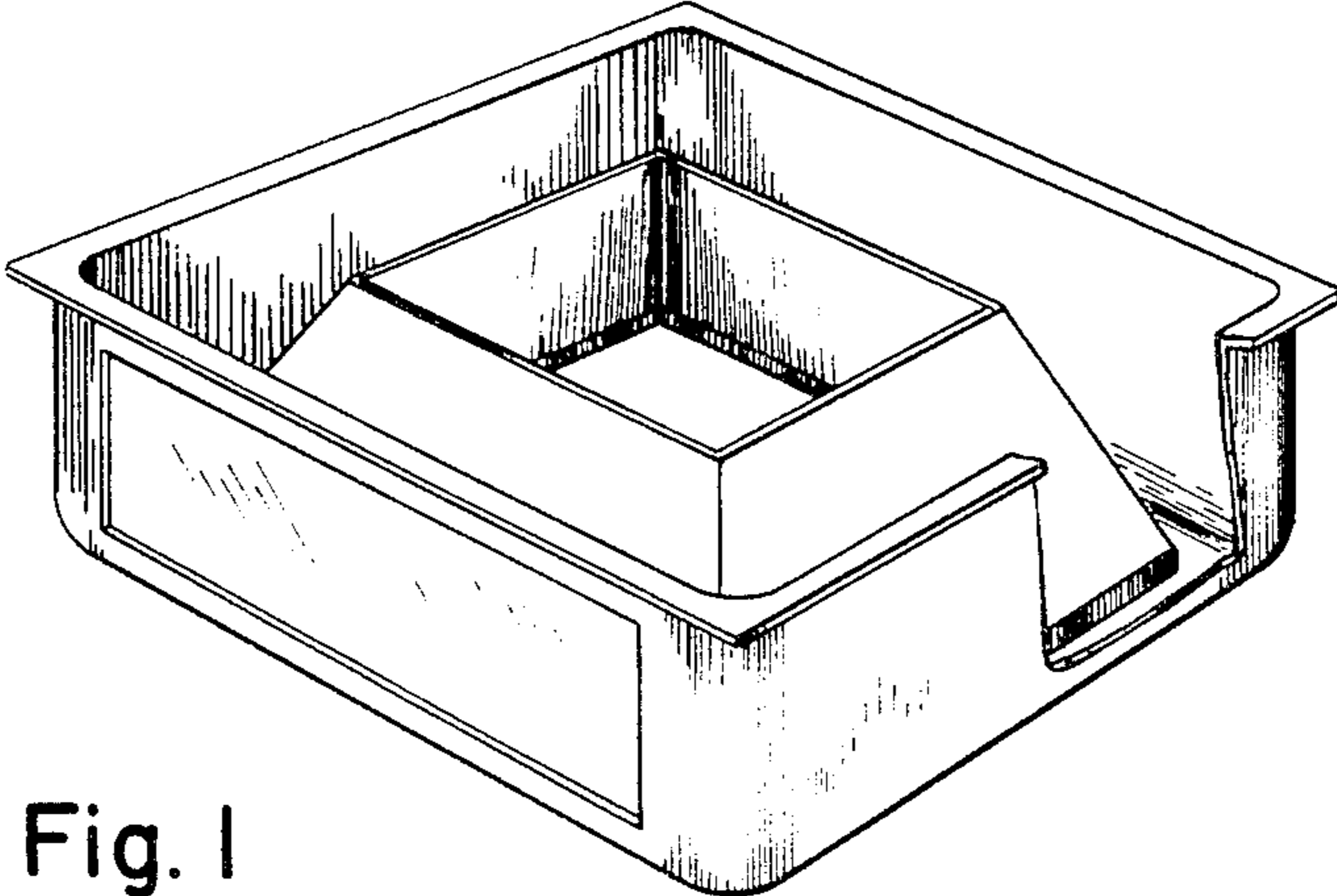


Fig. 1

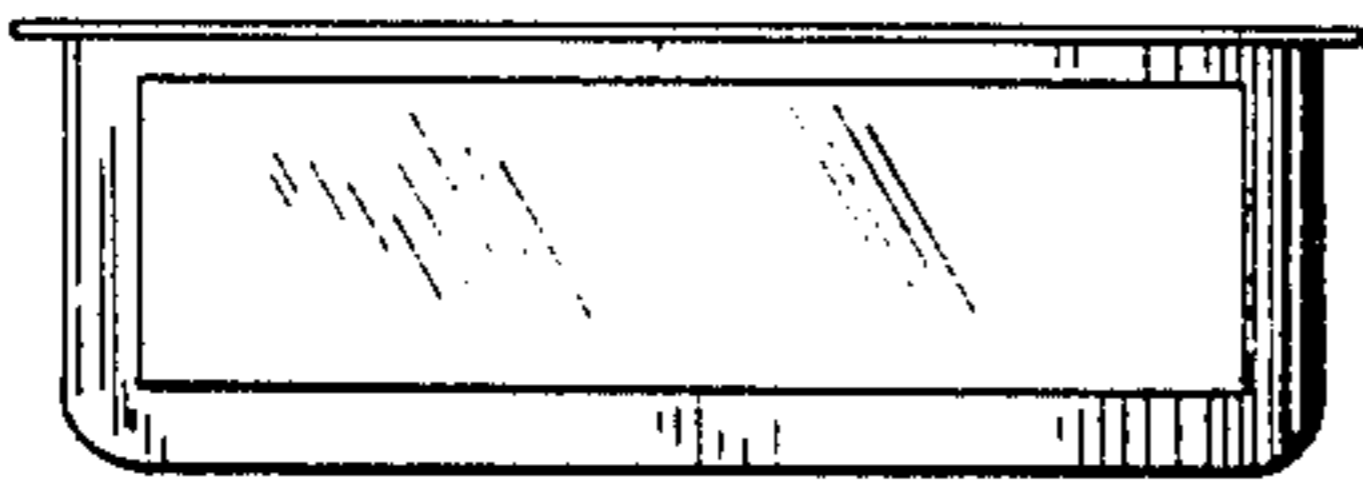


Fig. 2

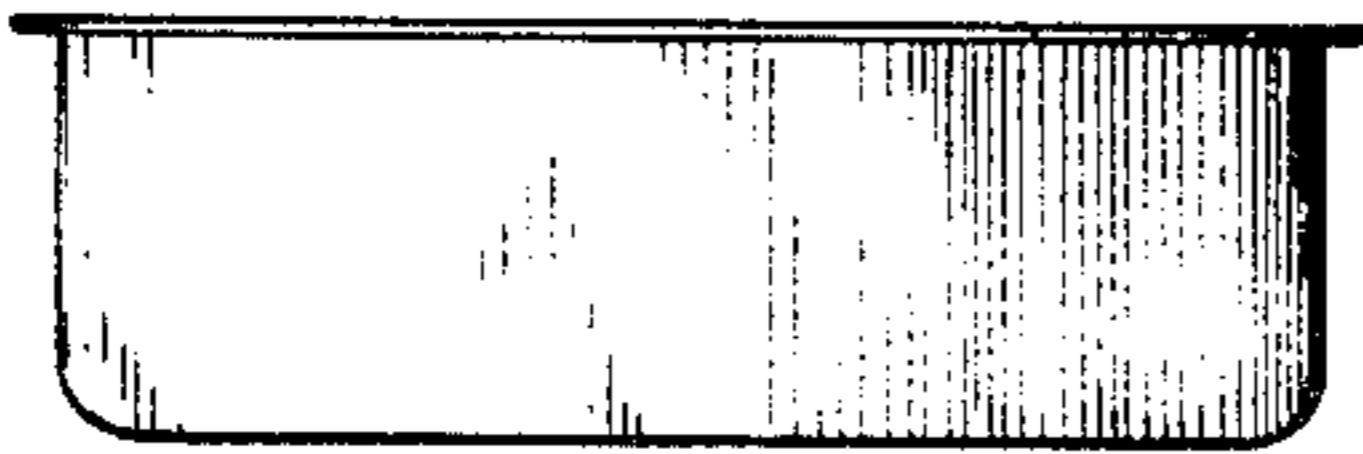


Fig. 3

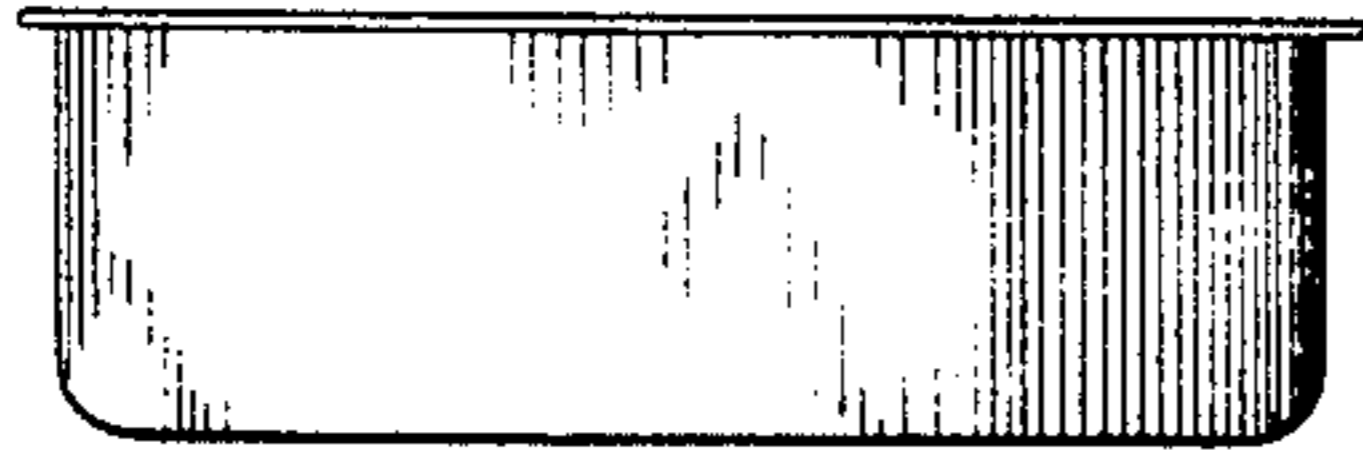


Fig. 4

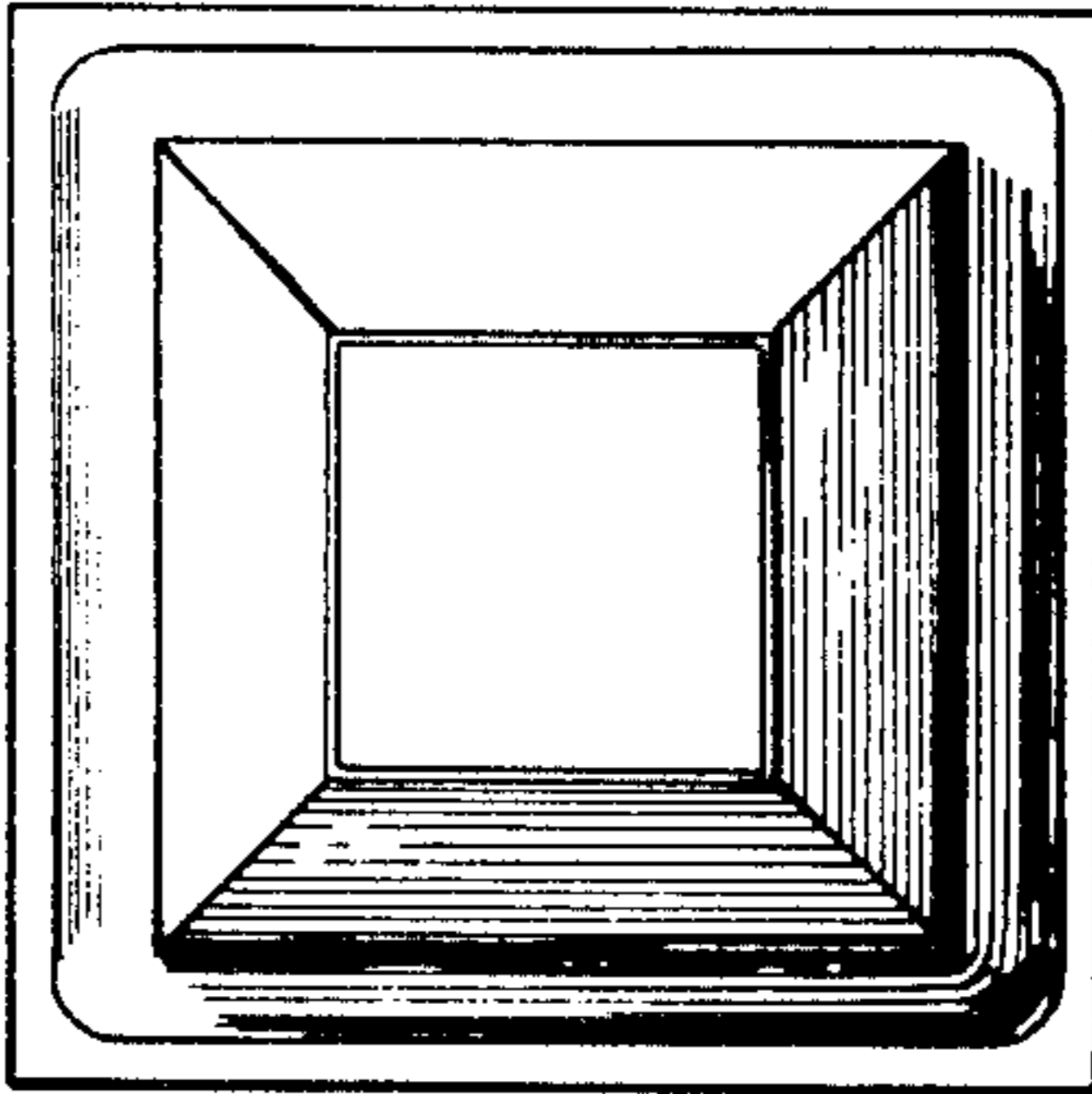


Fig. 5

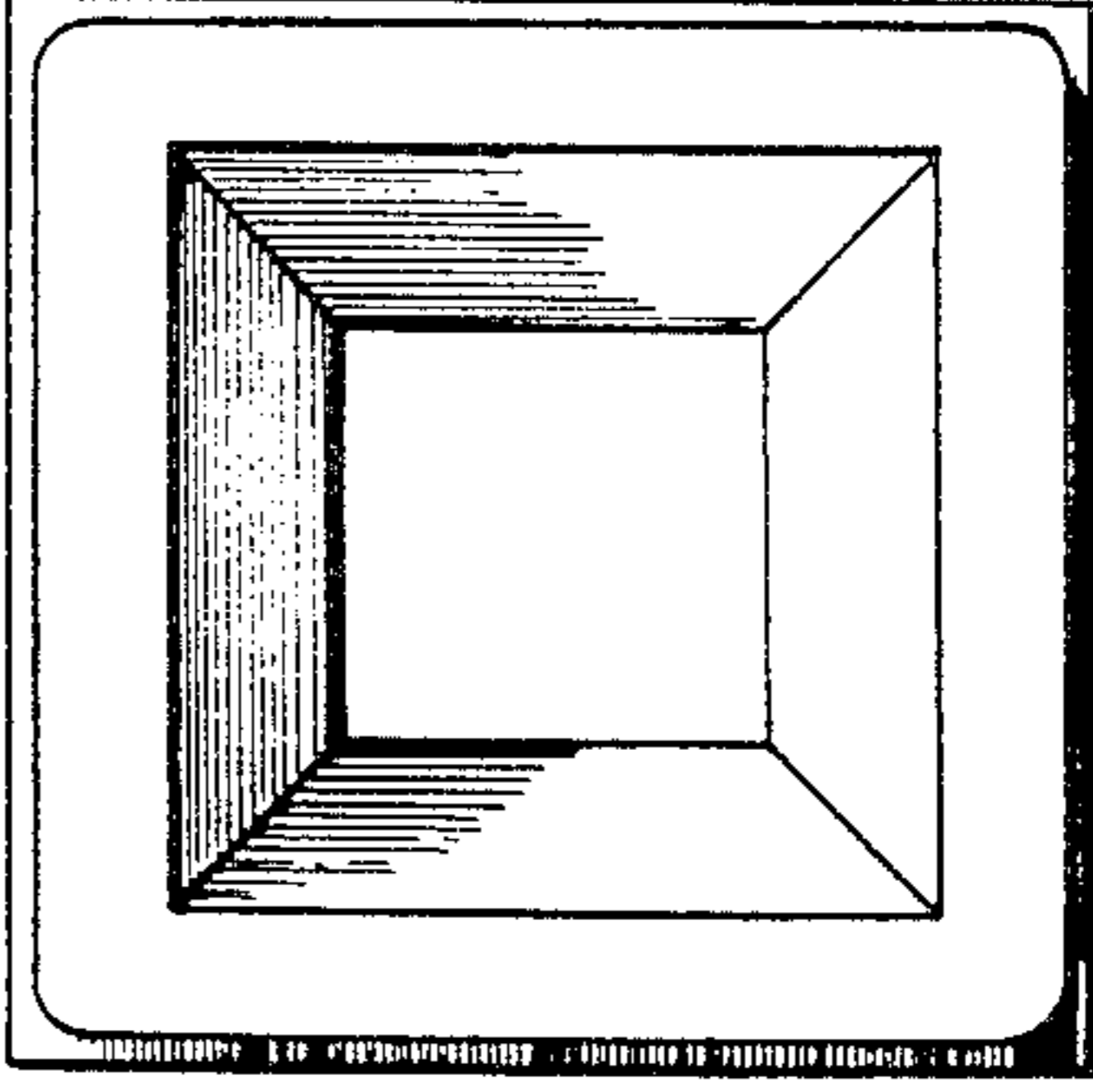


Fig. 6

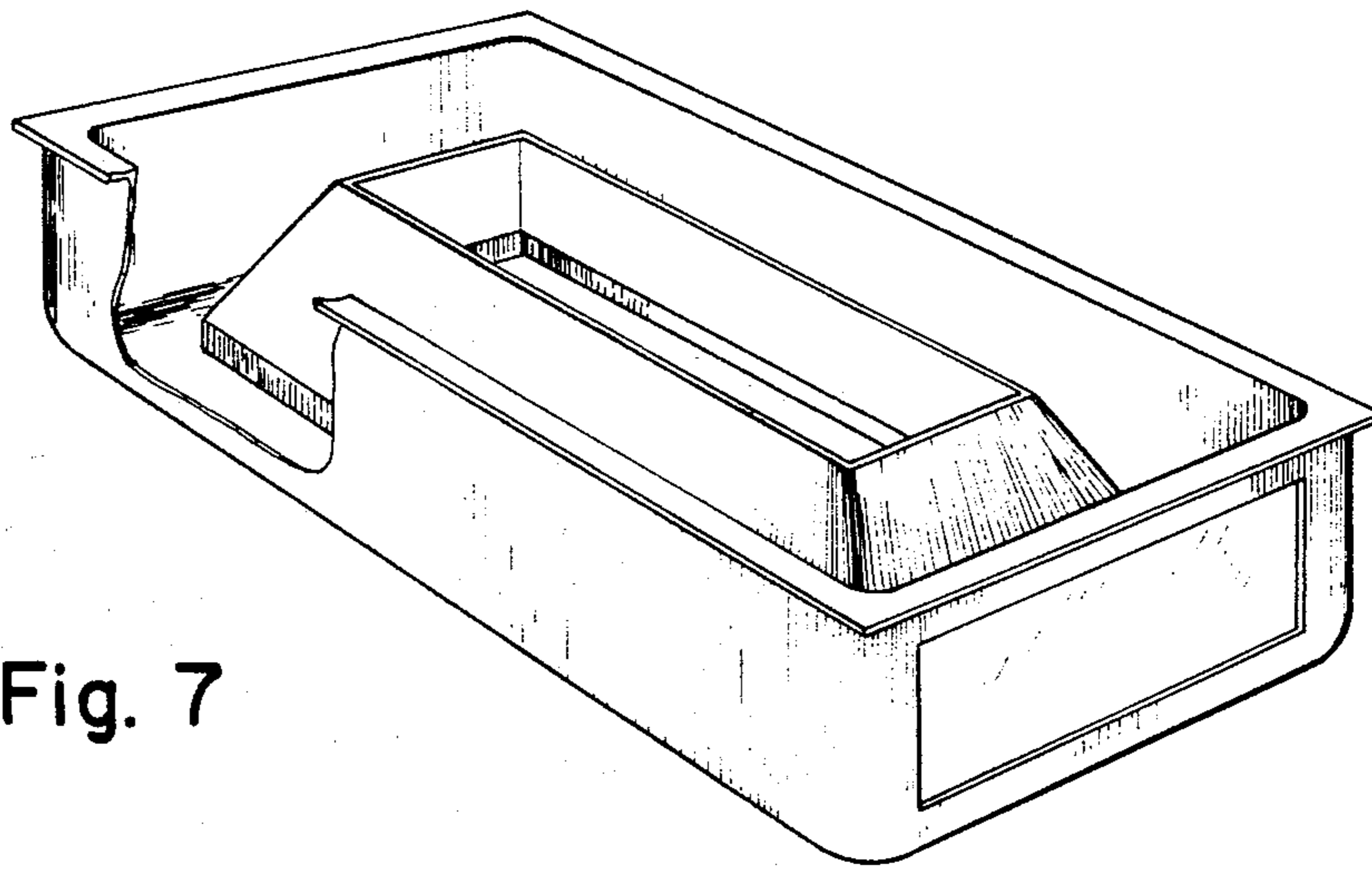


Fig. 7

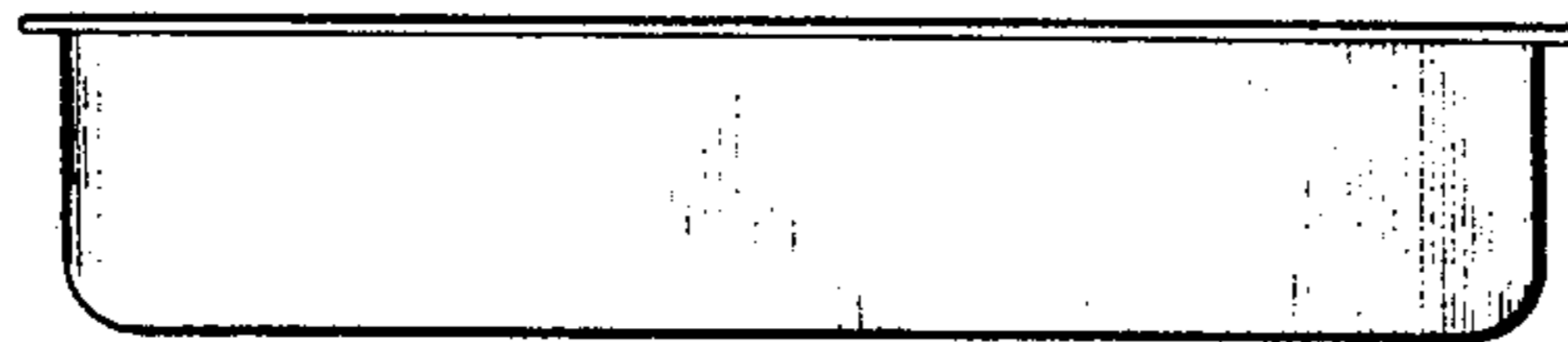


Fig. 8

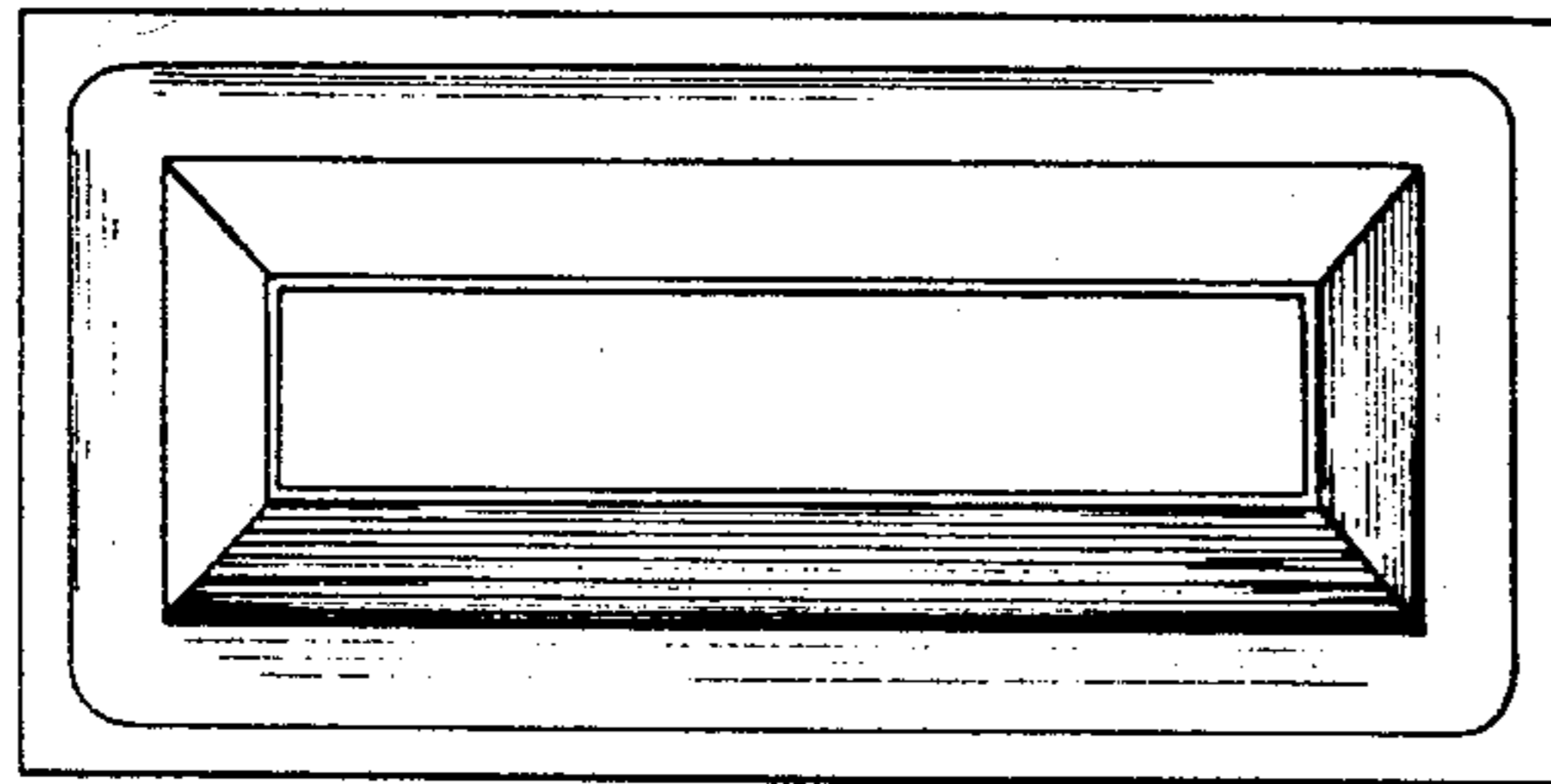


Fig. 9

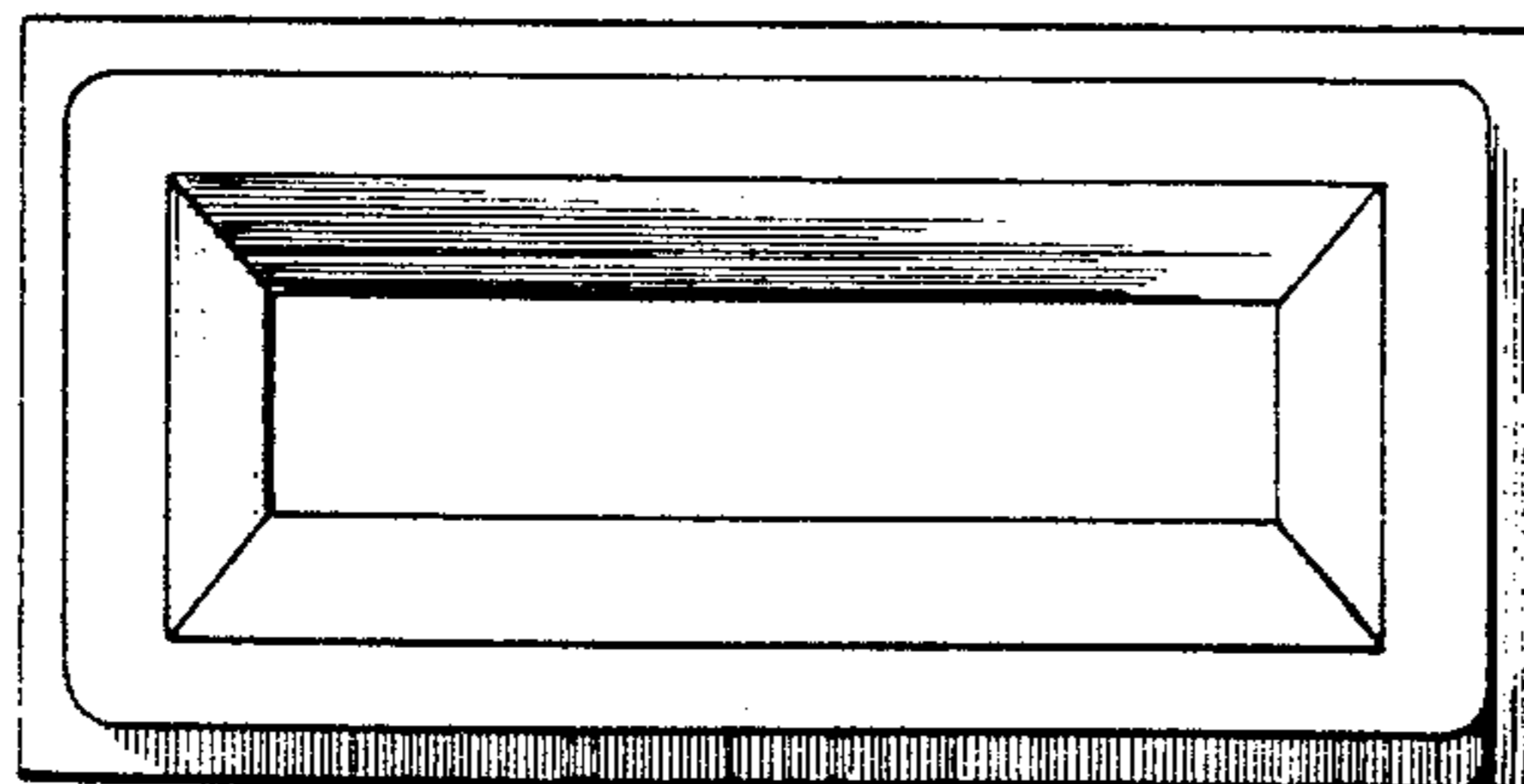


Fig. 10

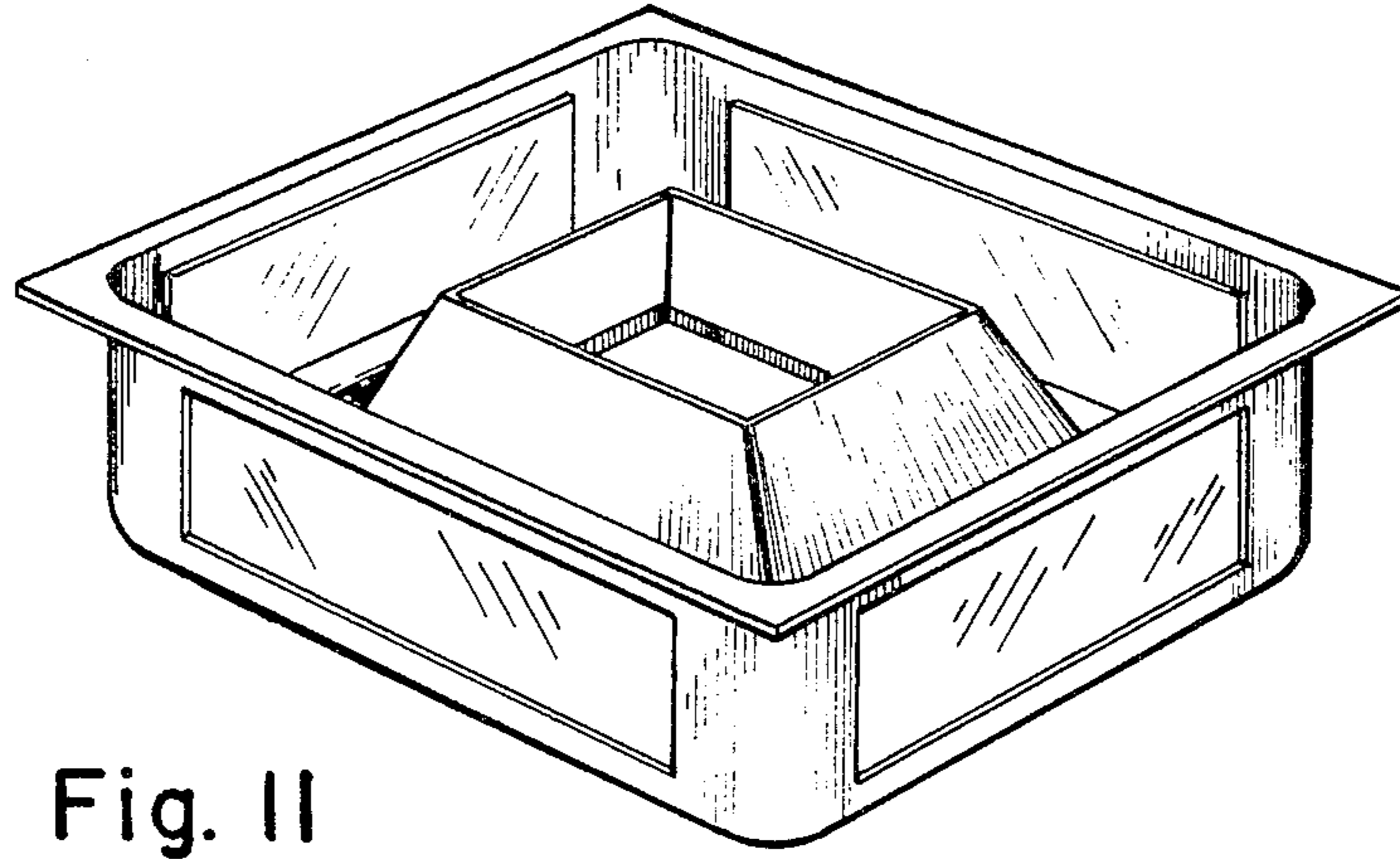


Fig. 11

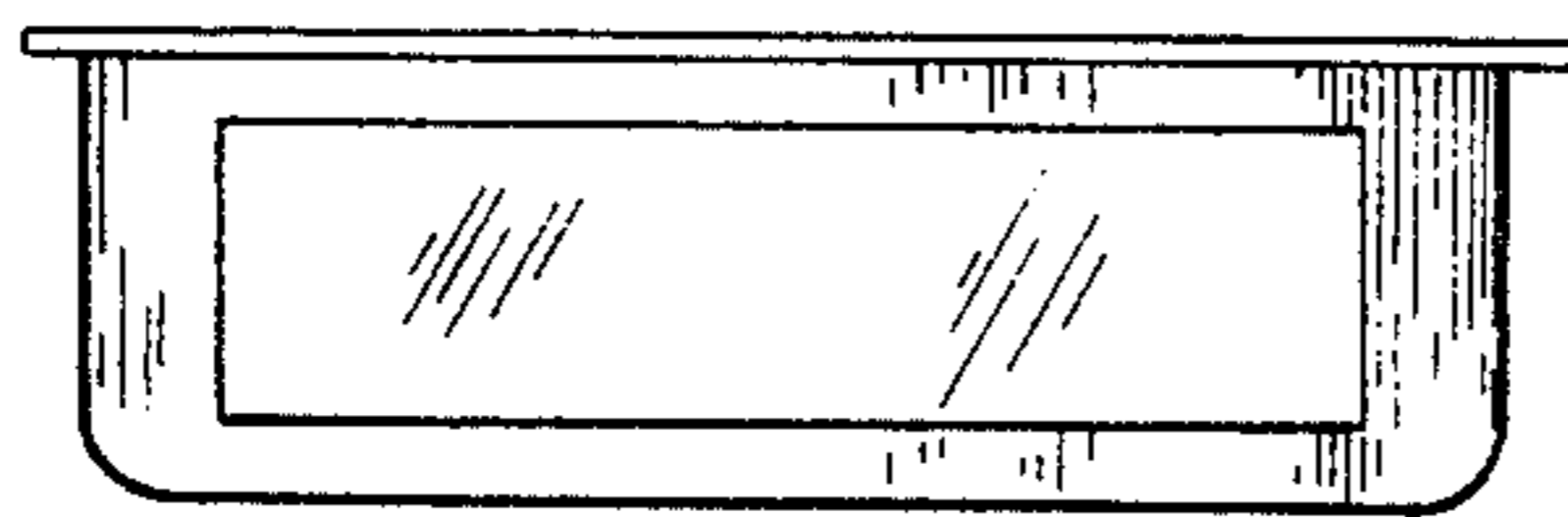


Fig. 12

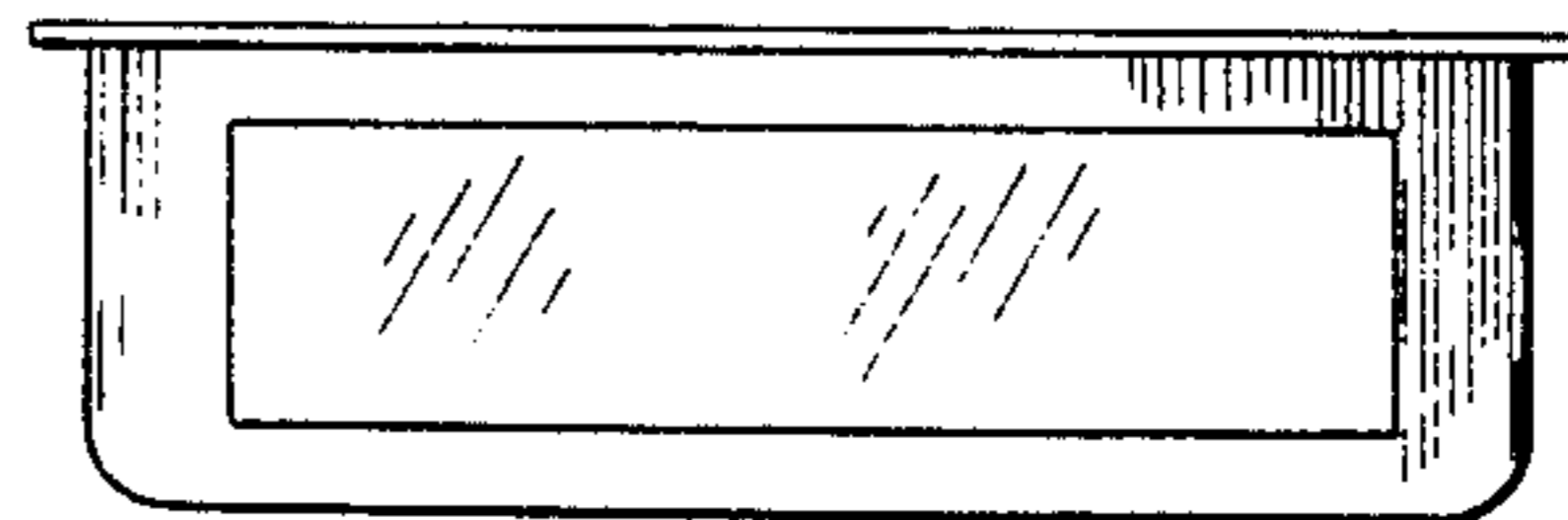


Fig. 13