

[54] PAPERWEIGHT

[76] Inventor: Rodney A. Wolf, Rte. 1, Box 63A, Amhurst Junction, Wis. 54407

[\*\*] Term: 14 Years

[21] Appl. No.: 501,121

[22] Filed: Jun. 6, 1983

[52] U.S. Cl. .... D19/97; D11/157; D21/64

[58] Field of Search ..... D11/131, 157; D19/75, D19/96, 97; D21/59, 64; 428/13, 15

[56] References Cited

U.S. PATENT DOCUMENTS

- D. 138,324 7/1944 Mielke ..... D21/59
- D. 223,941 6/1972 Parsons ..... D21/59
- D. 238,169 12/1975 Bieringer ..... D19/96
- D. 246,482 11/1977 Hagland-Ahrnborg ..... D21/64
- D. 254,428 3/1980 Lasowski et al. .... D19/97

D. 269,533 6/1983 Chase et al. .... D21/59

OTHER PUBLICATIONS

Wards Xmas Cat., 1959, p. 365, bottom right.

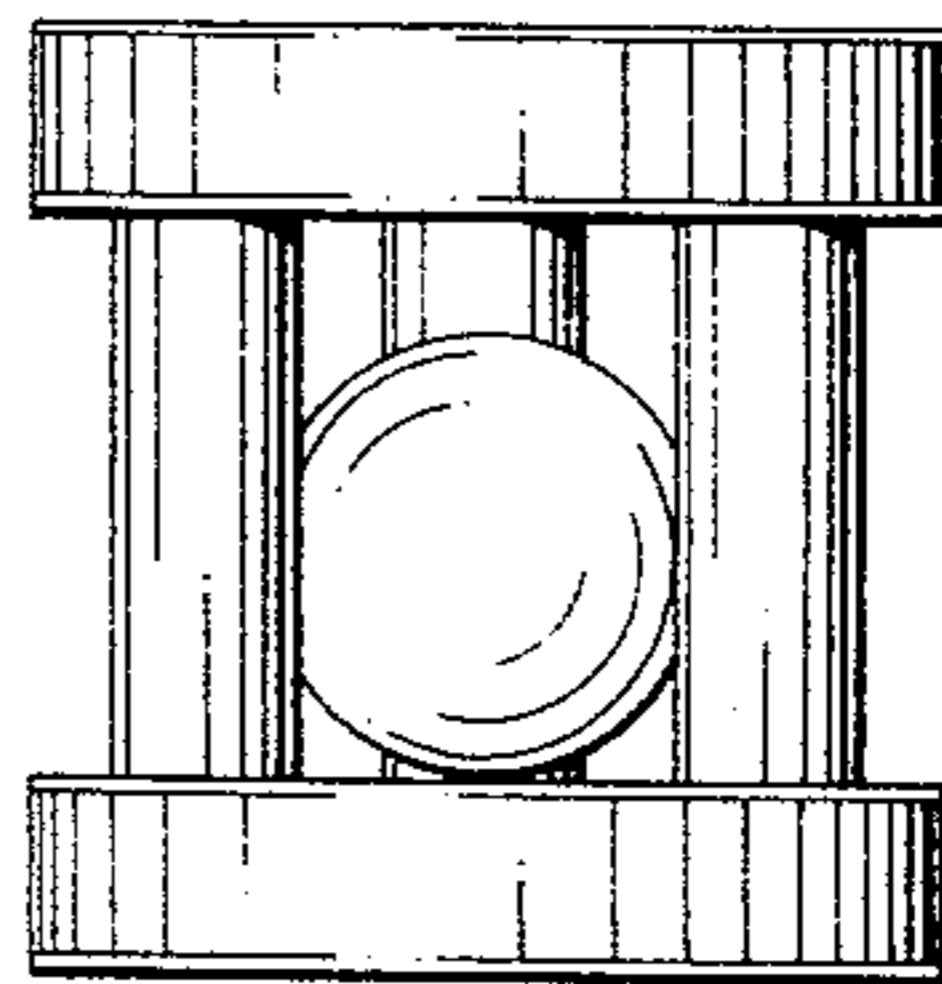
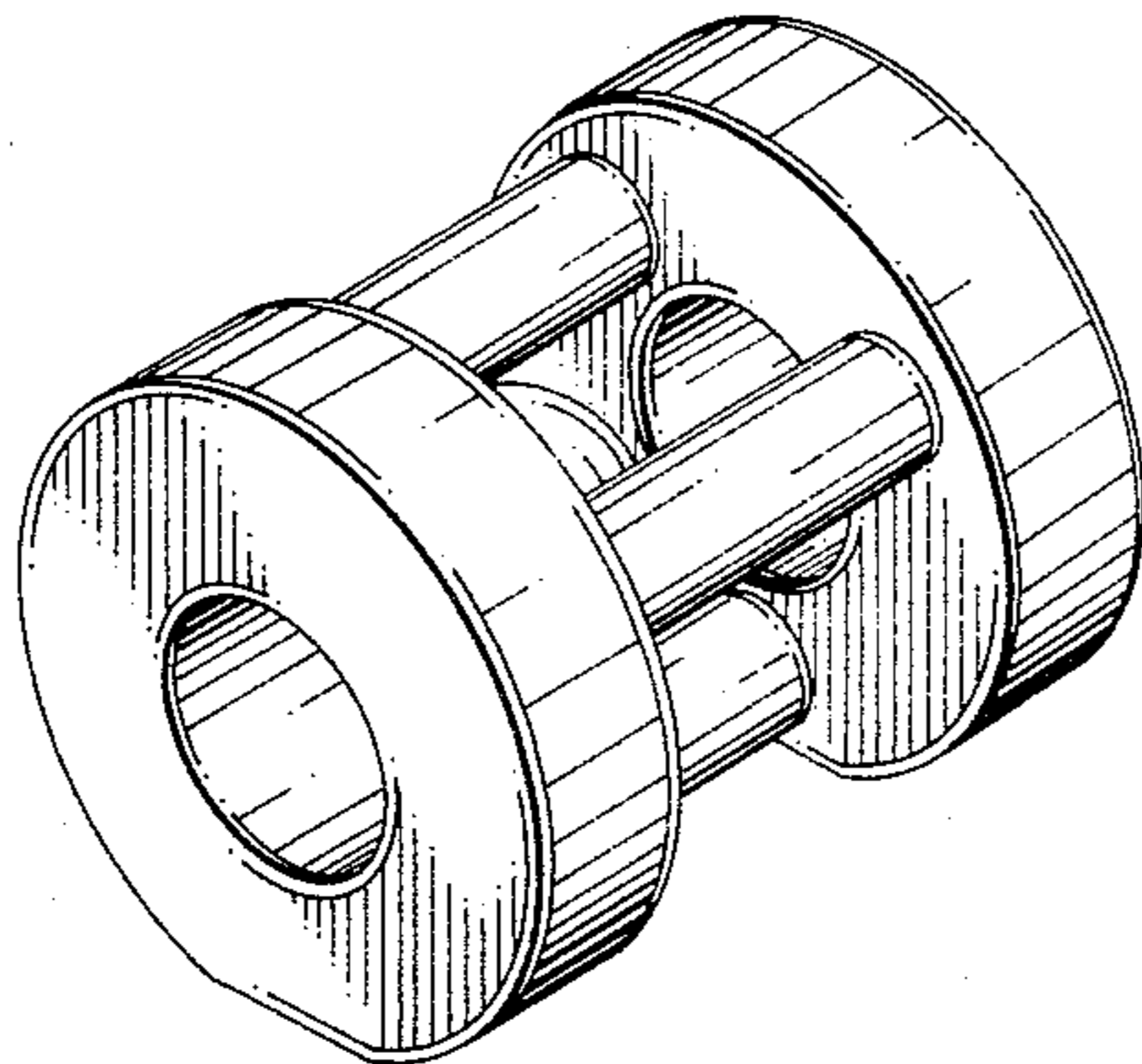
Primary Examiner—George P. Word  
Attorney, Agent, or Firm—Niblack & Niblack

[57] CLAIM

The ornamental design for a paperweight, substantially as shown and described.

DESCRIPTION

FIG. 1 is a top perspective view of a paperweight showing my new design;  
 FIG. 2 is a bottom perspective view of an alternate embodiment of the paperweight wherein the internal spherical ball has been omitted;  
 FIG. 3 is an end elevational view of FIG. 1;  
 FIG. 4 is a top plan view of FIG. 1; and  
 FIG. 5 is a bottom plan view of FIG. 1.



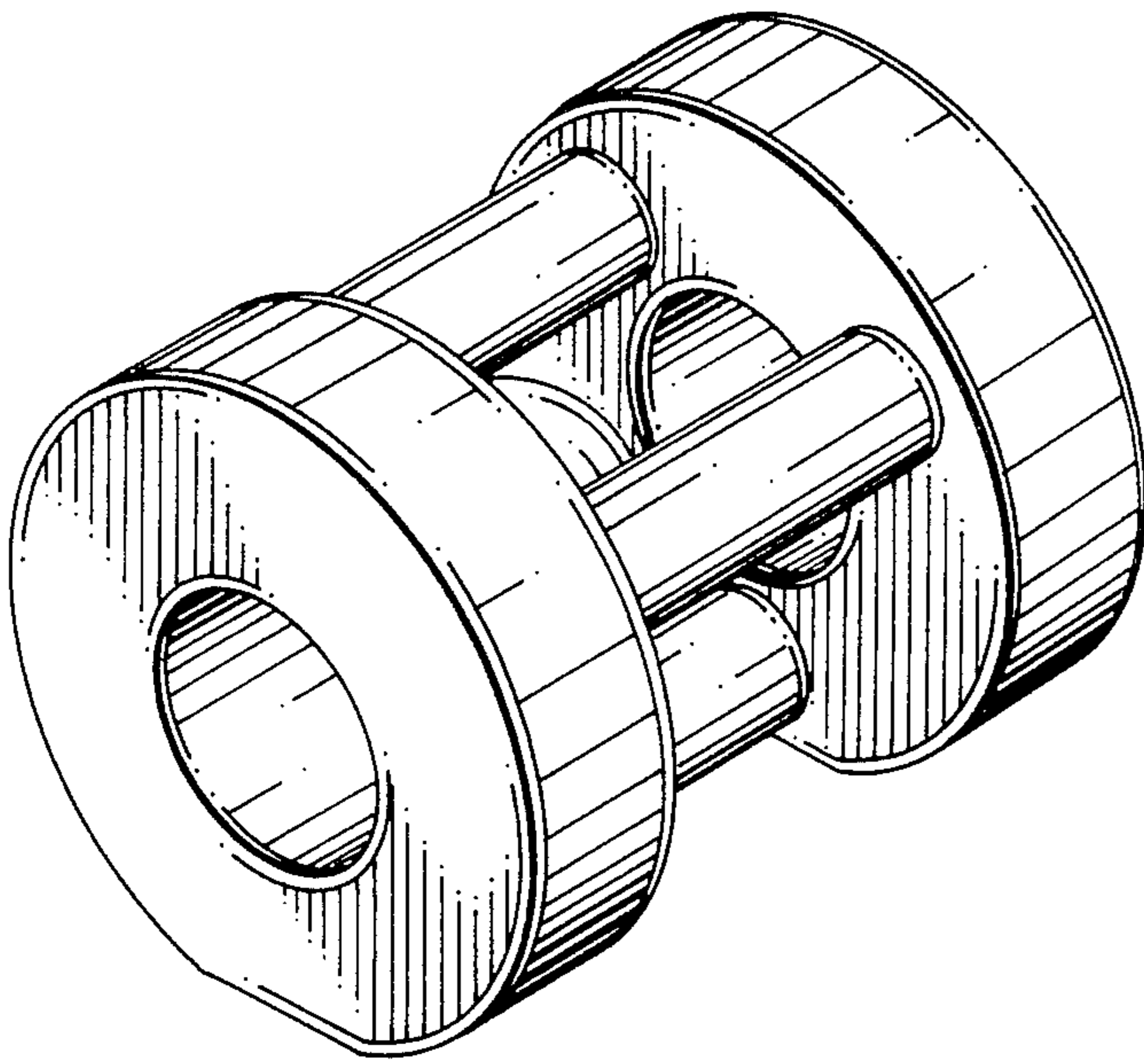


FIG. 1

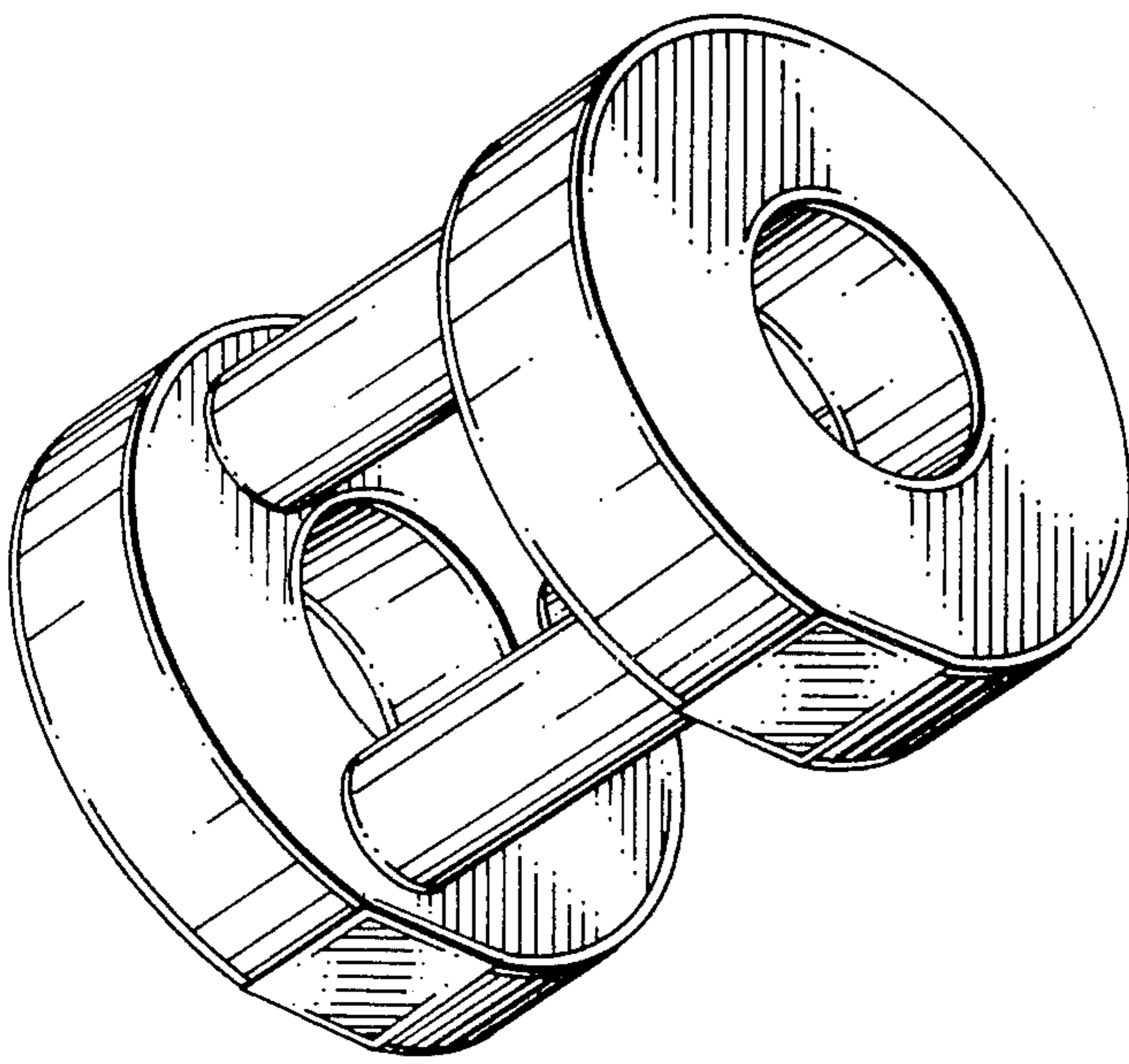


FIG. 2

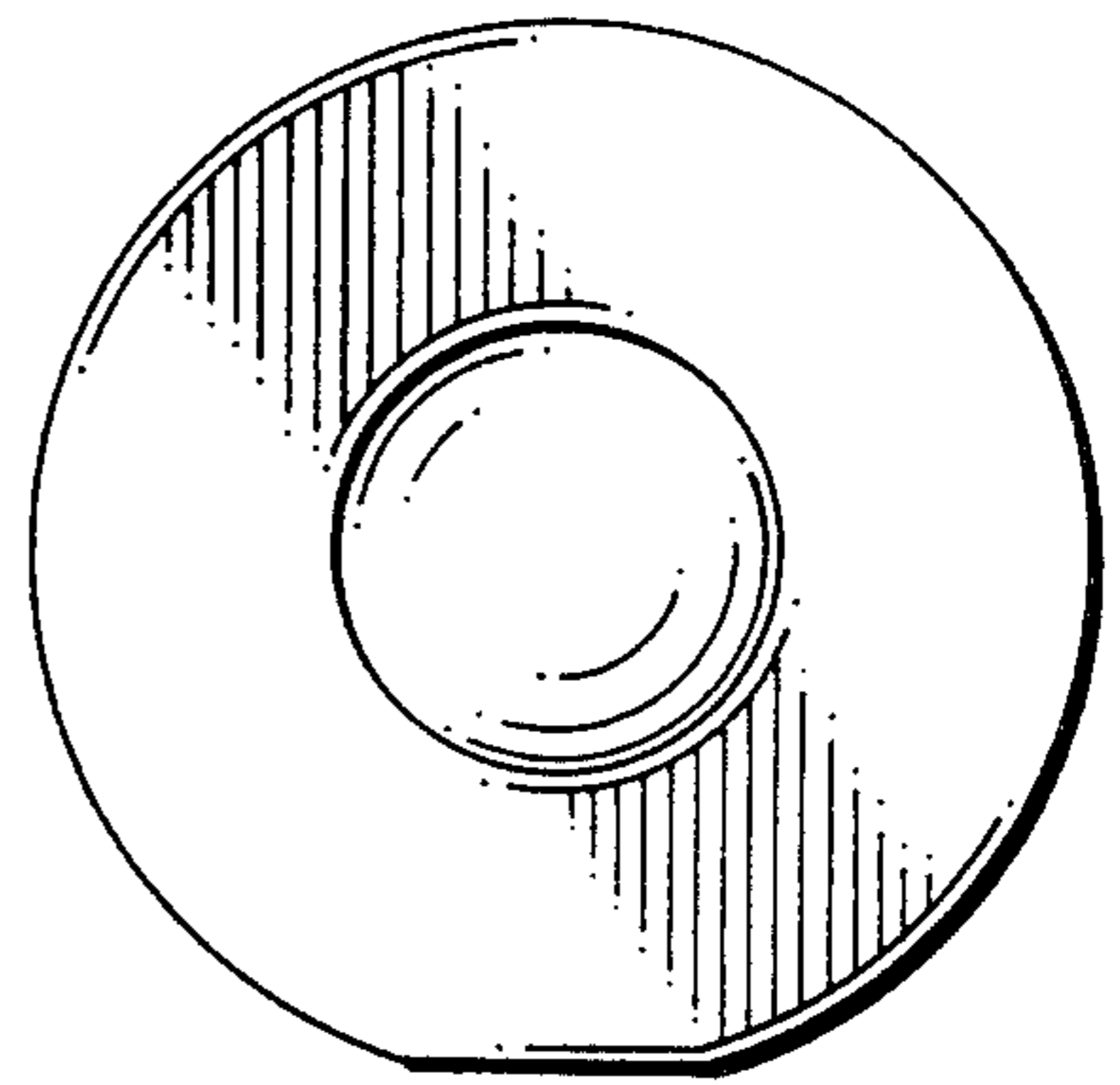


FIG. 3

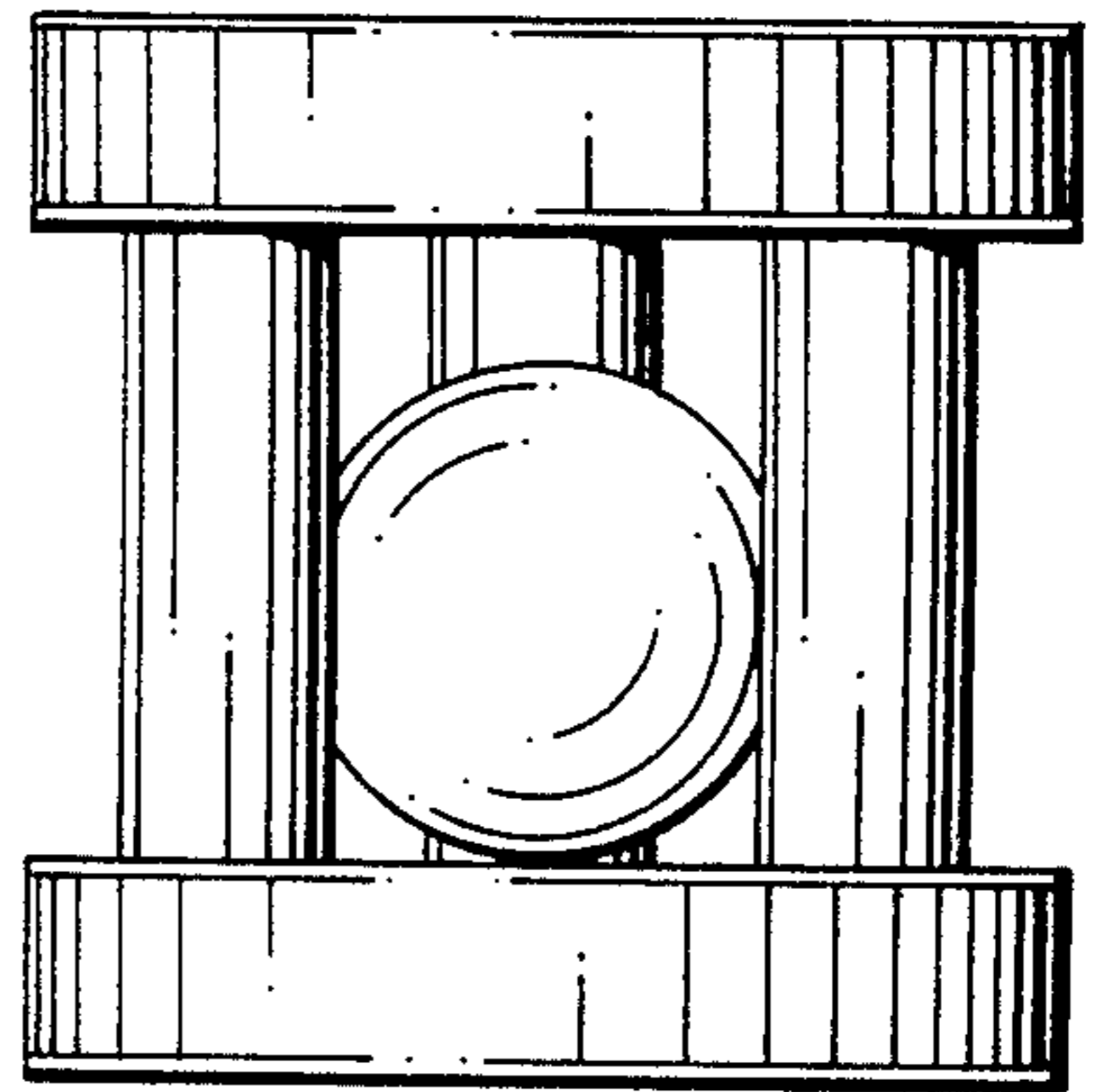


FIG. 4

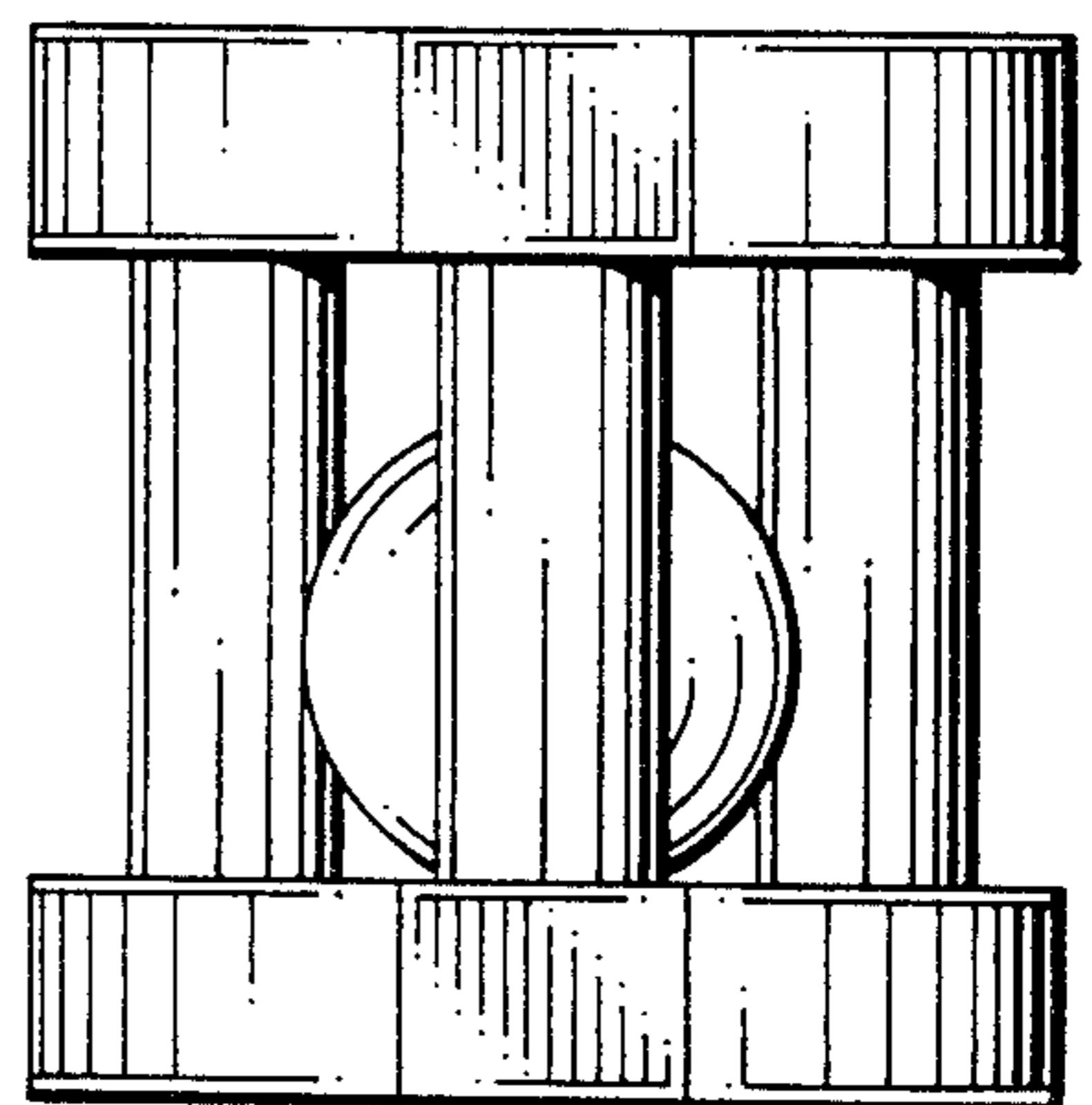


FIG. 5