

[54] SHEET PUNCH

[75] Inventors: Joseph K. Semerjian, Franklin Park; Glenn R. Lodge, Mt. Prospect, both of Ill.

[73] Assignee: Wilson Jones Company, New York, N.Y.

[\*\*] Term: 14 Years

[21] Appl. No.: 357,737

[22] Filed: Mar. 12, 1982

[52] U.S. Cl. .... D19/72

[58] Field of Search ..... D19/72; D8/51; 83/560, 83/618, 633

[56] References Cited

U.S. PATENT DOCUMENTS

D. 202,007 8/1965 Murray ..... D19/72

OTHER PUBLICATIONS

Bainbridge Kimptow & Haupt, 1962, p. 353, No. 32. Office Products, 7/78, p. 61.

Primary Examiner—George P. Word  
Attorney, Agent, or Firm—Pennie & Edmonds

[57] CLAIM

The ornamental design for a sheet punch, as shown and described.

DESCRIPTION

FIG. 1 is a perspective view of a sheet punch showing our new design;

FIG. 2 is a left side elevational view thereof;

FIG. 3 is a front elevational view thereof;

FIG. 4 is a rear elevational view thereof; and

FIG. 5 is a top plan view thereof.

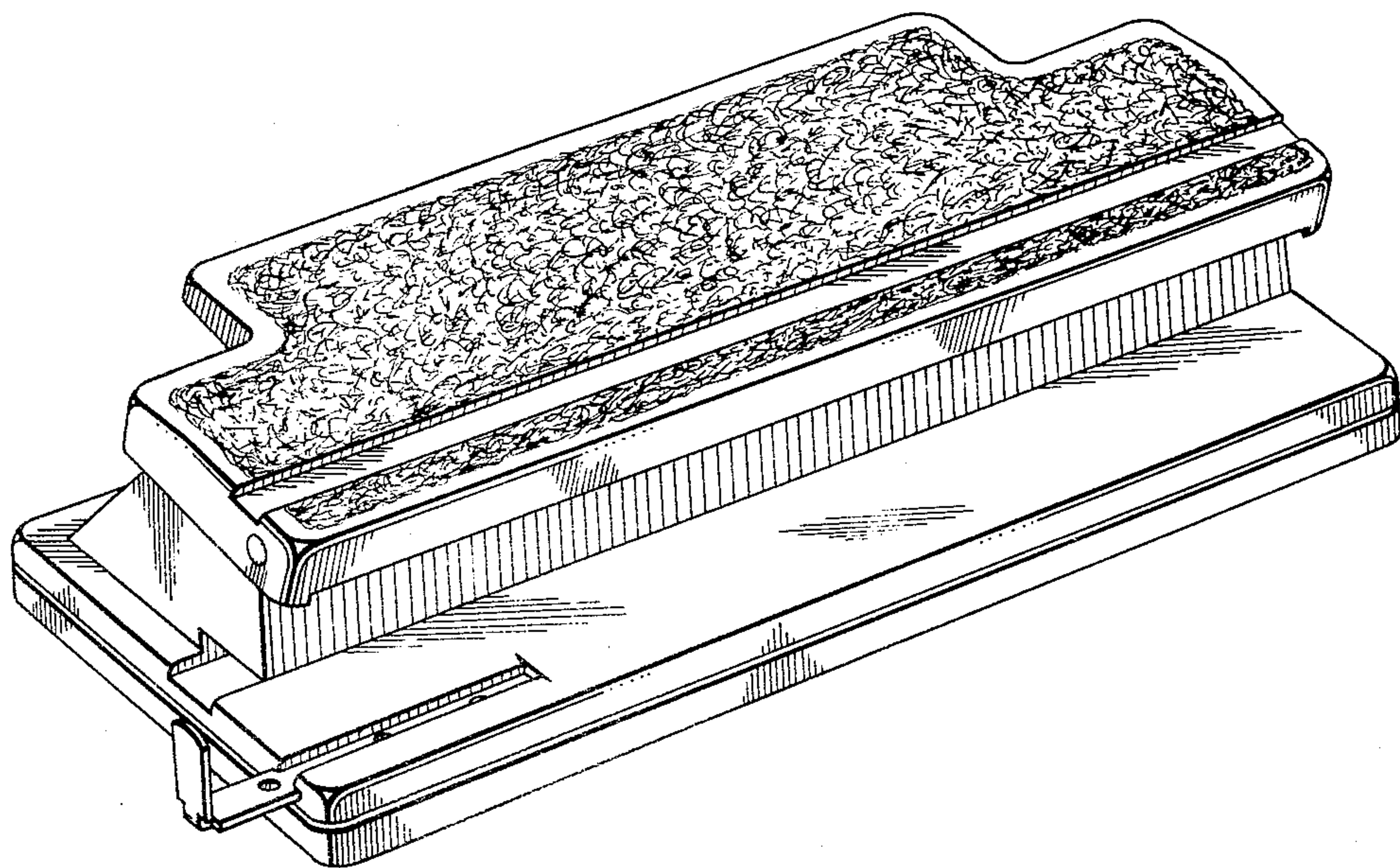


FIG. 1.

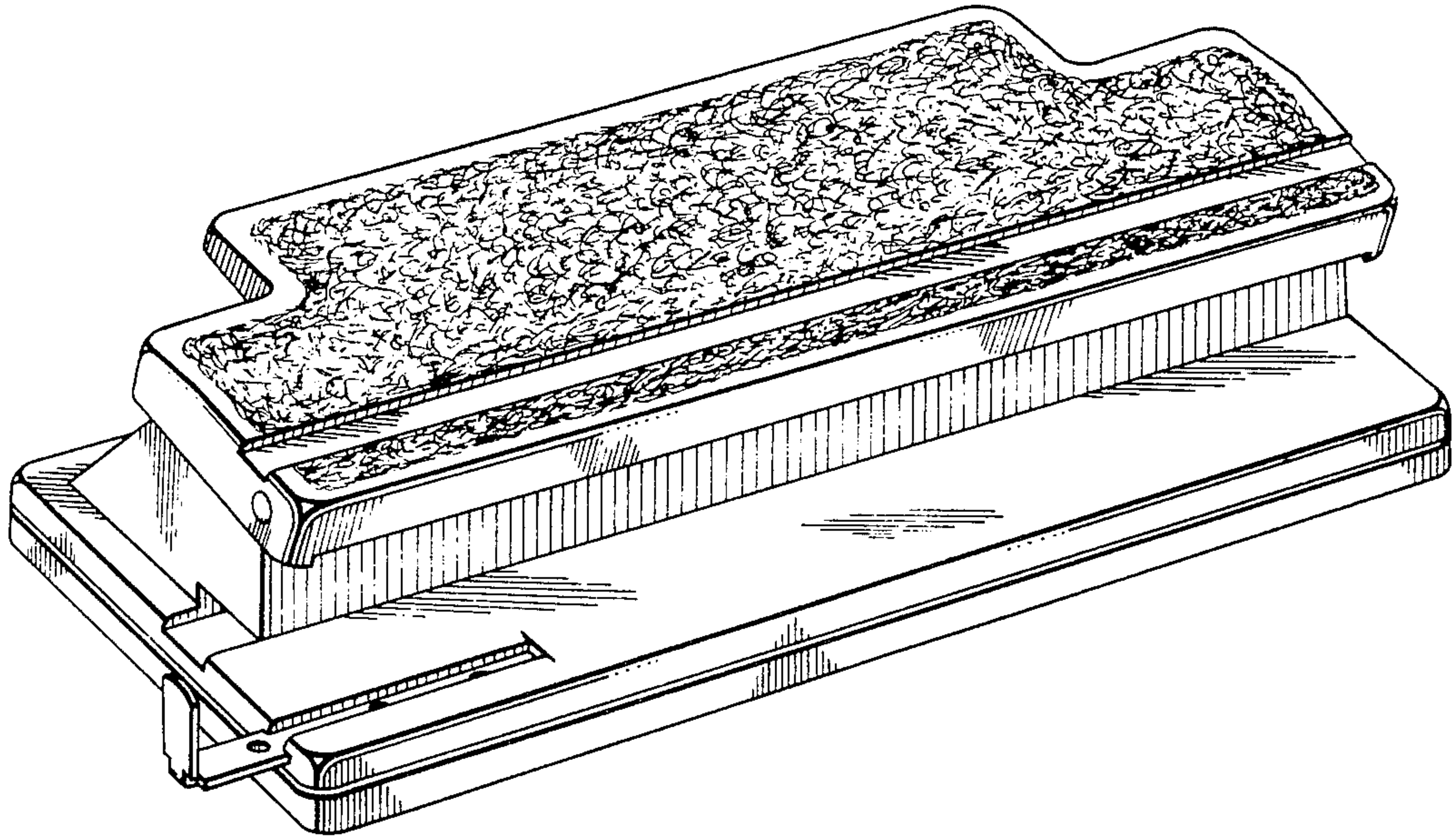


FIG. 2.

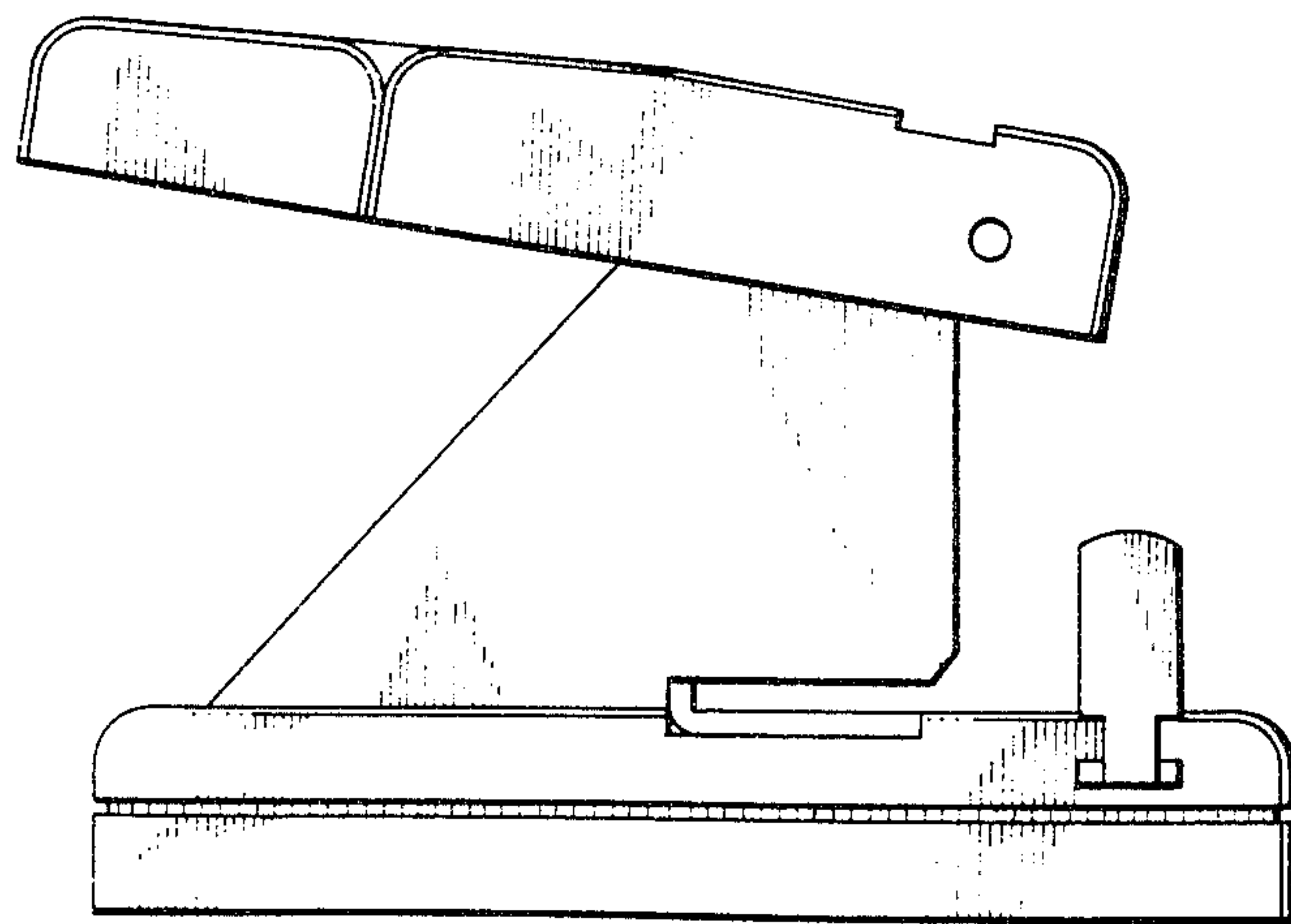




FIG. 3

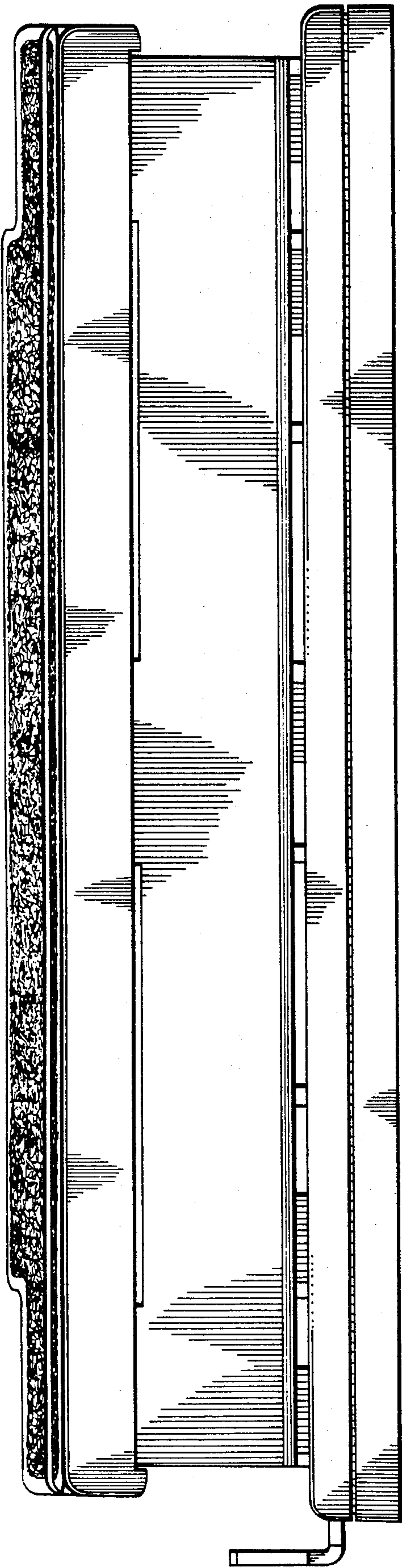


FIG. 4.

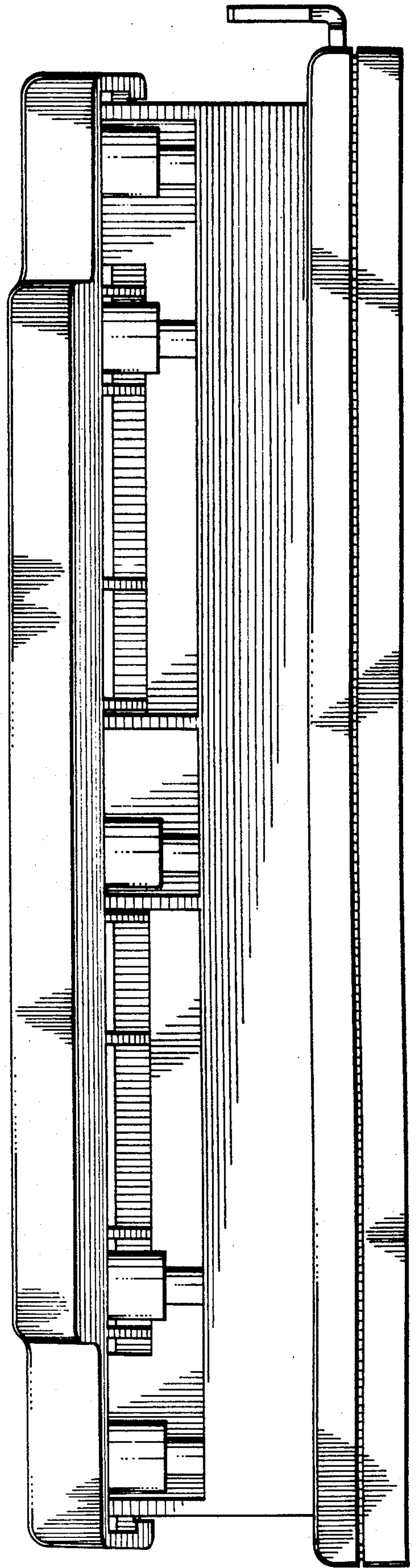




FIG. 5.

