

[54] WINDMILL

[75] Inventor: Richard K. Sutz, Scottsdale, Ariz.

[73] Assignee: Wind Baron Corporation, Phoenix, Ariz.

[**] Term: 14 Years

[21] Appl. No.: 498,708

[22] Filed: May 27, 1983

[52] U.S. Cl. D15/1

[58] Field of Search D15/1; 416/132 R, 132 B, 416/196 A, 197 A, 117

[56] References Cited

U.S. PATENT DOCUMENTS

- D. 33,010 7/1900 Perry D15/1
- D. 104,946 6/1937 Lung D15/1

- D. 209,349 11/1967 Fleming D15/1
- D. 269,091 5/1983 Sutz D15/1

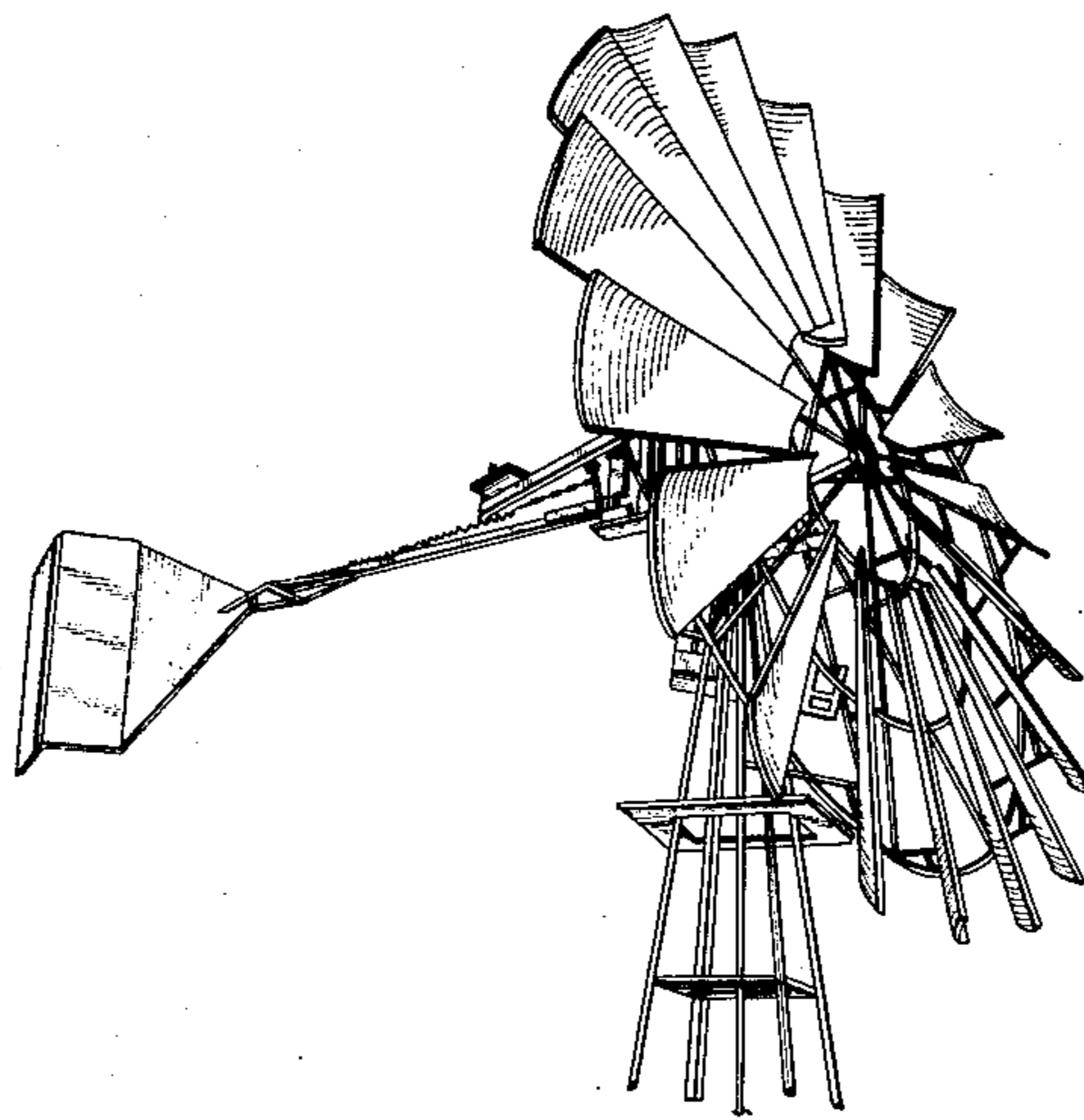
Primary Examiner—Wallace R. Burke
Assistant Examiner—Lynn Wilder
Attorney, Agent, or Firm—Jacob B. Burke

[57] CLAIM

The ornamental design for a windmill, as shown and described.

DESCRIPTION

FIG. 1 is a perspective view of a windmill showing my new design;
FIG. 2 is a front elevational view thereof on an enlarged scale;
FIG. 3 is an enlarged top plan view thereof;
FIG. 4 is a rear elevational view thereof;
FIG. 5 is a left side elevational view thereof, the right side being substantially a mirror image.



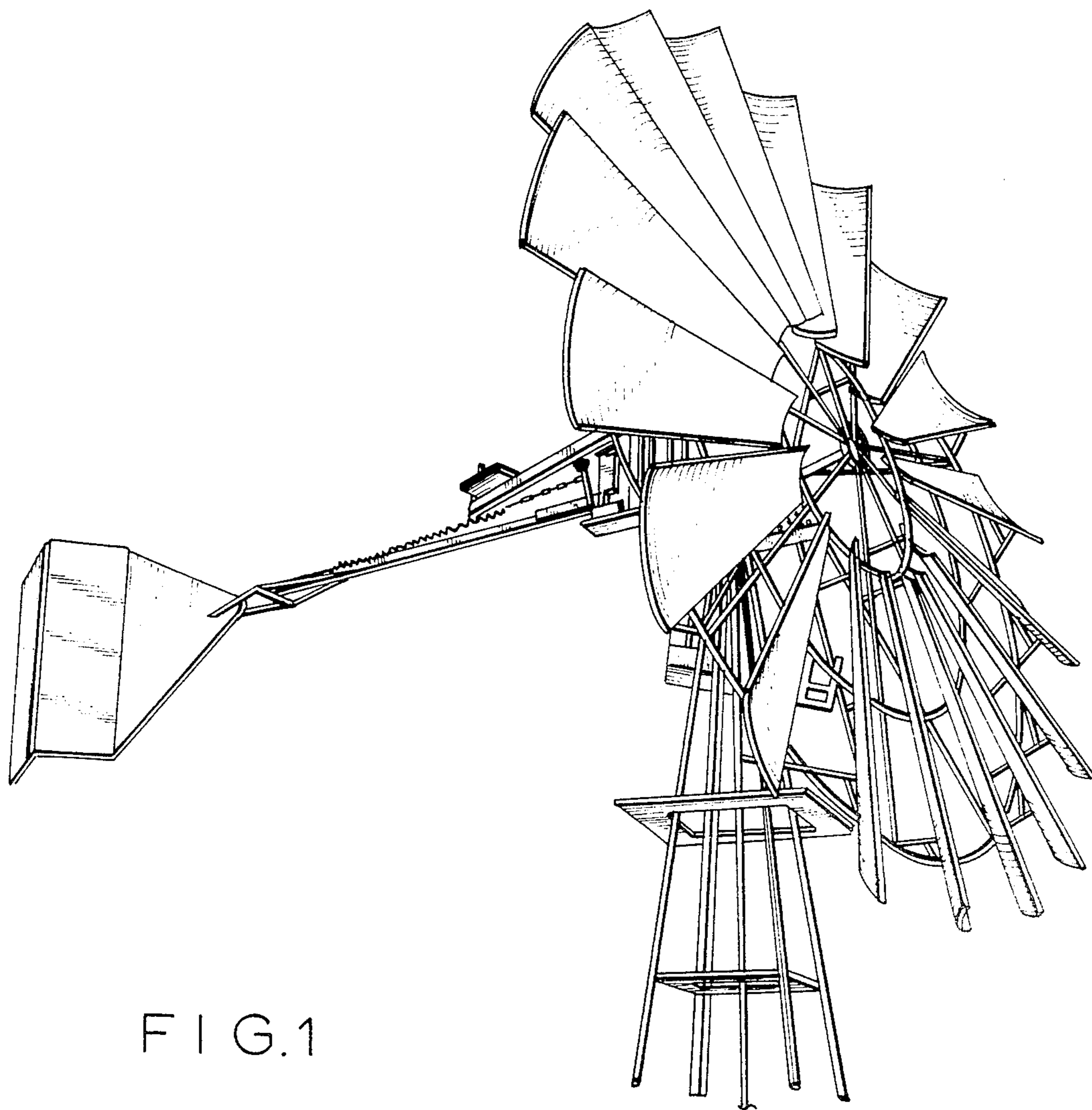


FIG. 1

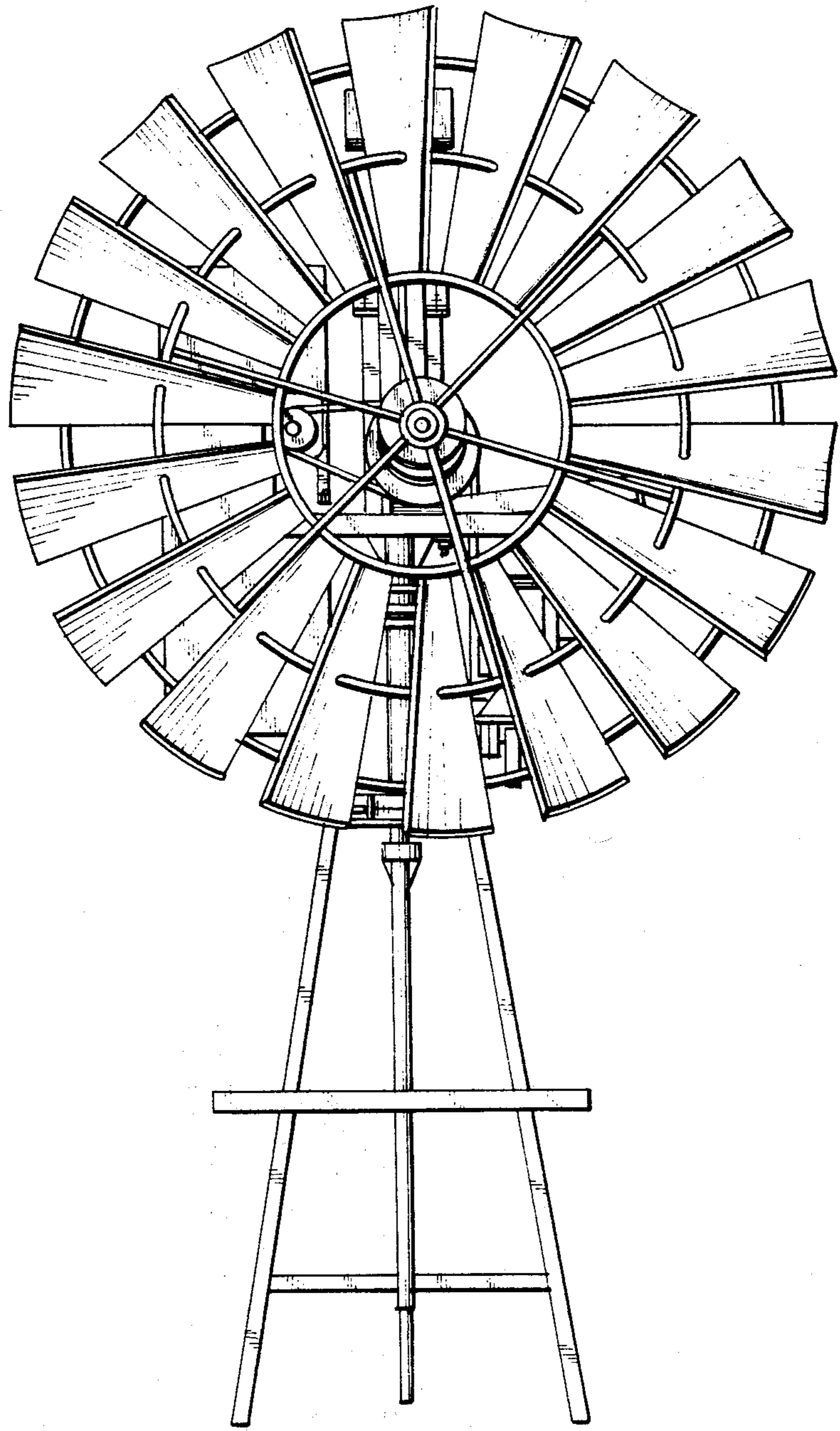


FIG. 2

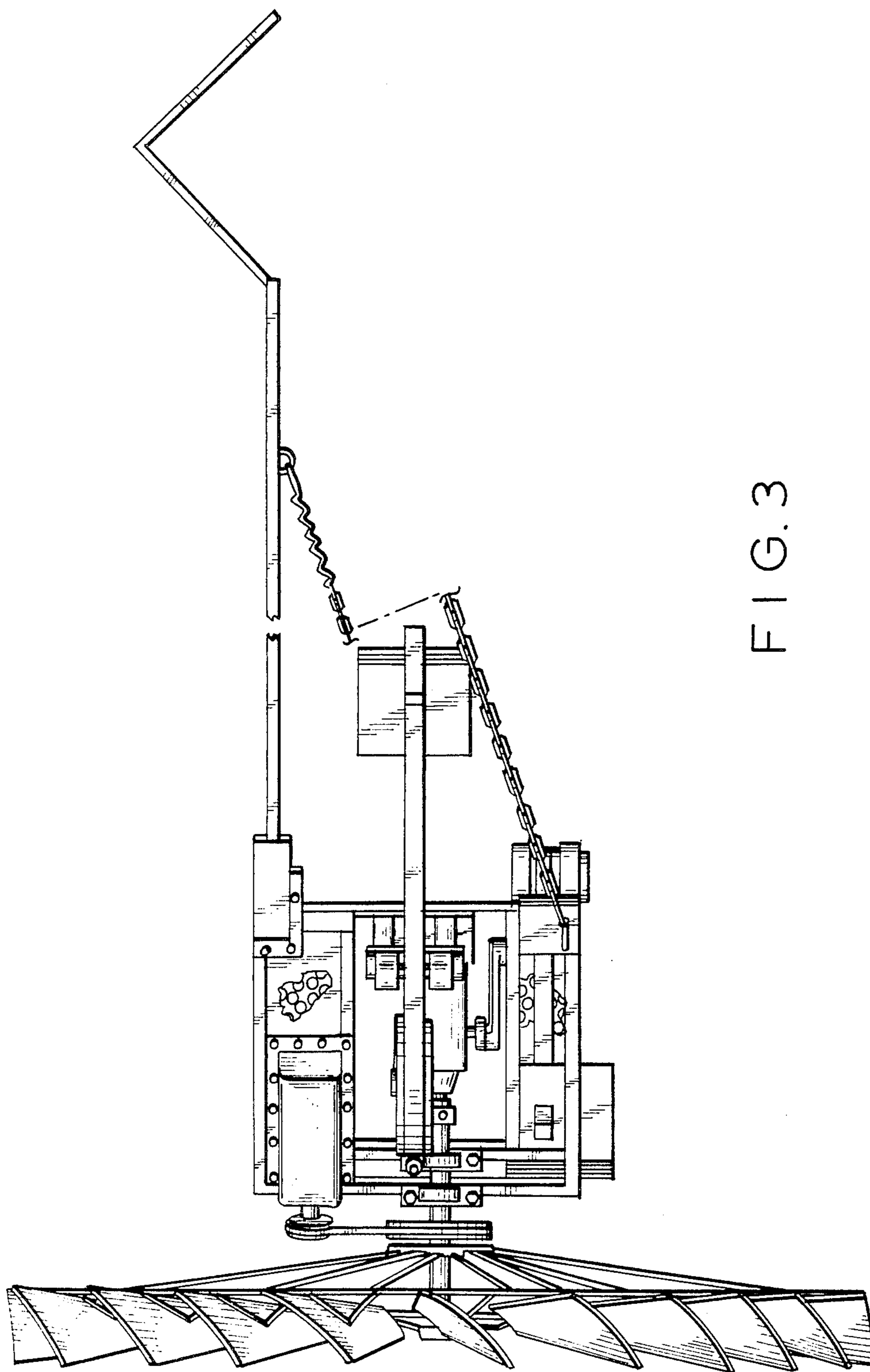


FIG. 3

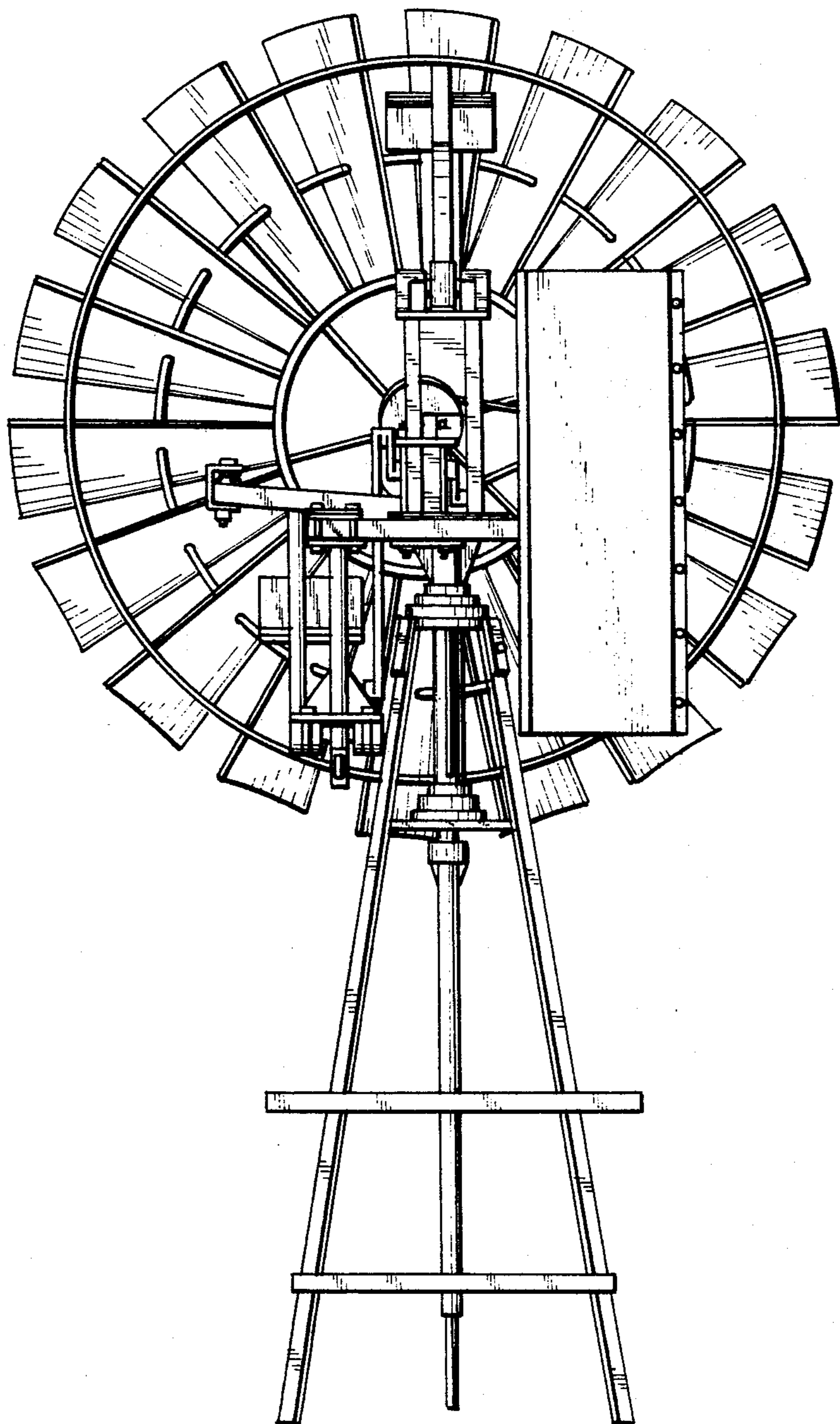


FIG. 4

FIG. 5

