

[54] HANDSET TELEPHONE BASE

[75] Inventors: Ghanshyam A. Bhat, Marlboro, N.J.; Eric P. P. Chan, New York, N.Y.; John S. Lamancusa, Middletown, N.J.; Gordon E. Sylvester, Jamaica, N.Y.; Jose R. Varela, Middletown, N.J.

[73] Assignee: AT&T Information Systems, Holmdel, N.J.

[**] Term: 14 Years

[21] Appl. No.: 617,517

[22] Filed: Jun. 5, 1984

[52] U.S. Cl. D14/60; D14/59; D14/63

[58] Field of Search D14/65, 59, 53; D28/67, D28/65, 73; D19/67, 65, 91, 68, 72; D18/1, 6, 7, 11, 12; 36/395

[56] References Cited

U.S. PATENT DOCUMENTS

D. 197,337	1/1964	Zimmerman	D14/57
D. 208,285	8/1967	Fleisher et al.	D28/67
D. 212,423	10/1968	Tyson	D14/60
D. 223,883	6/1972	Shalvoy	D28/67
D. 246,043	10/1977	Taylor	D14/53
D. 258,892	4/1981	Chie et al.	D18/7
D. 266,762	11/1982	Gibson	D14/58
D. 272,148	1/1984	Coons et al.	D14/60
2,642,841	6/1953	Funk	D19/91
3,623,793	11/1971	Merten et al.	D28/65
4,259,568	2/1981	Dynesen	D18/7

FOREIGN PATENT DOCUMENTS

1471254 1/1967 France 361/395

Primary Examiner—Wallace R. Burke
Assistant Examiner—Horace B. Fay
Attorney, Agent, or Firm—John A. Caccuro

[57] CLAIM

The ornamental design for a handset telephone base, substantially as shown and described.

DESCRIPTION

FIG. 1 is a top front perspective view of a handset telephone base showing our new design, where the bottom surface, not shown, is plain and unadorned and the top end and right side, neither shown, are mirror images, respectively, of the shown bottom end and left side;

FIG. 2 is a top front perspective view of a second modified embodiment of the handset telephone base illustrated in FIG. 1, where the right side, not shown, is a mirror image of the shown left side;

FIG. 3 is a top rear view thereof;

FIG. 4 is a bottom side perspective view thereof;

FIG. 5 is a right side elevation of a third modified embodiment of the handset telephone base illustrated in FIG. 1; the left side elevation is a mirror image of the side shown; and

FIG. 6 is a bottom front perspective view thereof where the top surface, not shown, is identical to the top surface shown in FIG. 1 and the top end and right side, not shown, are mirror images, respectively, of the shown bottom end and left side.

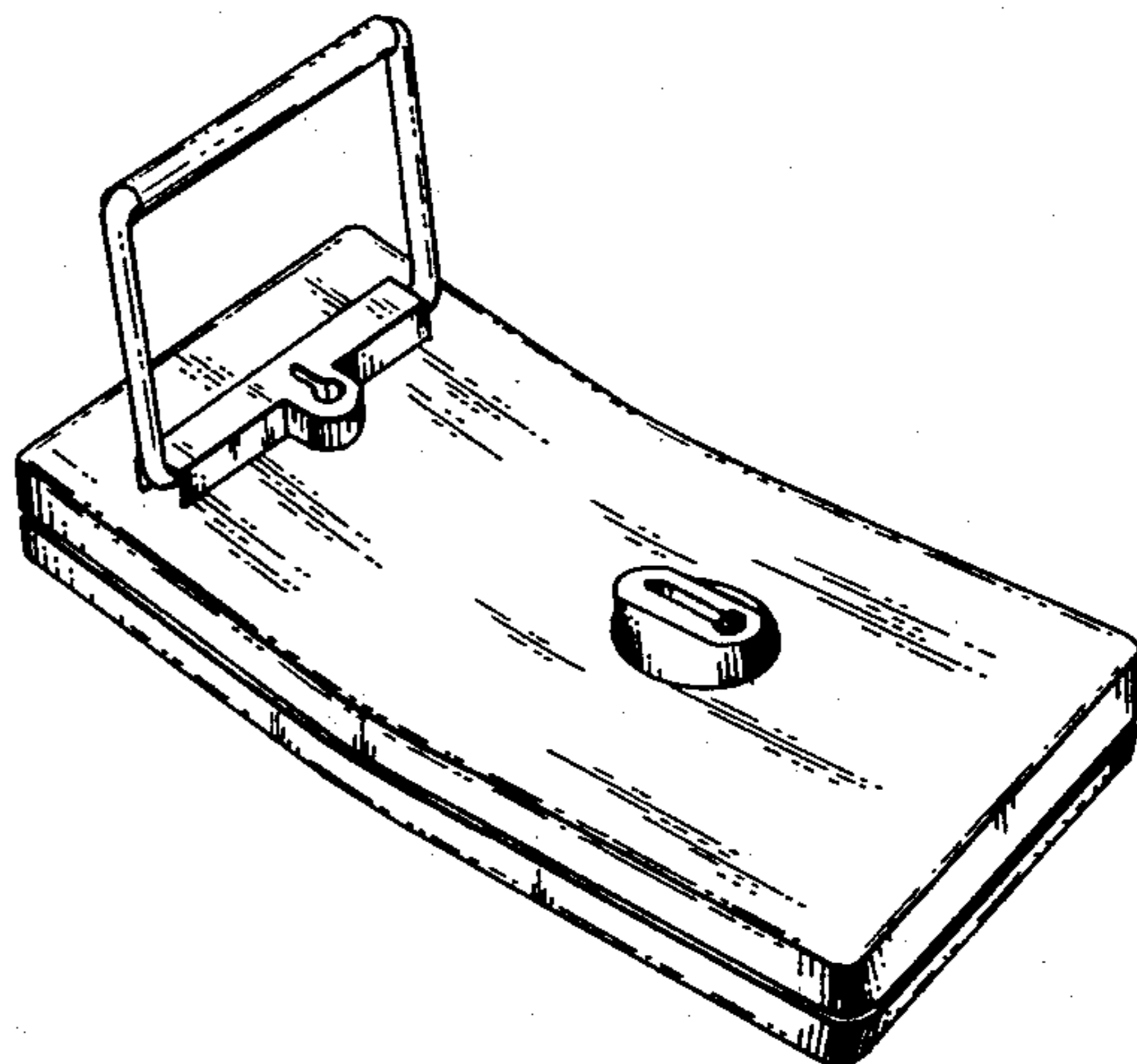
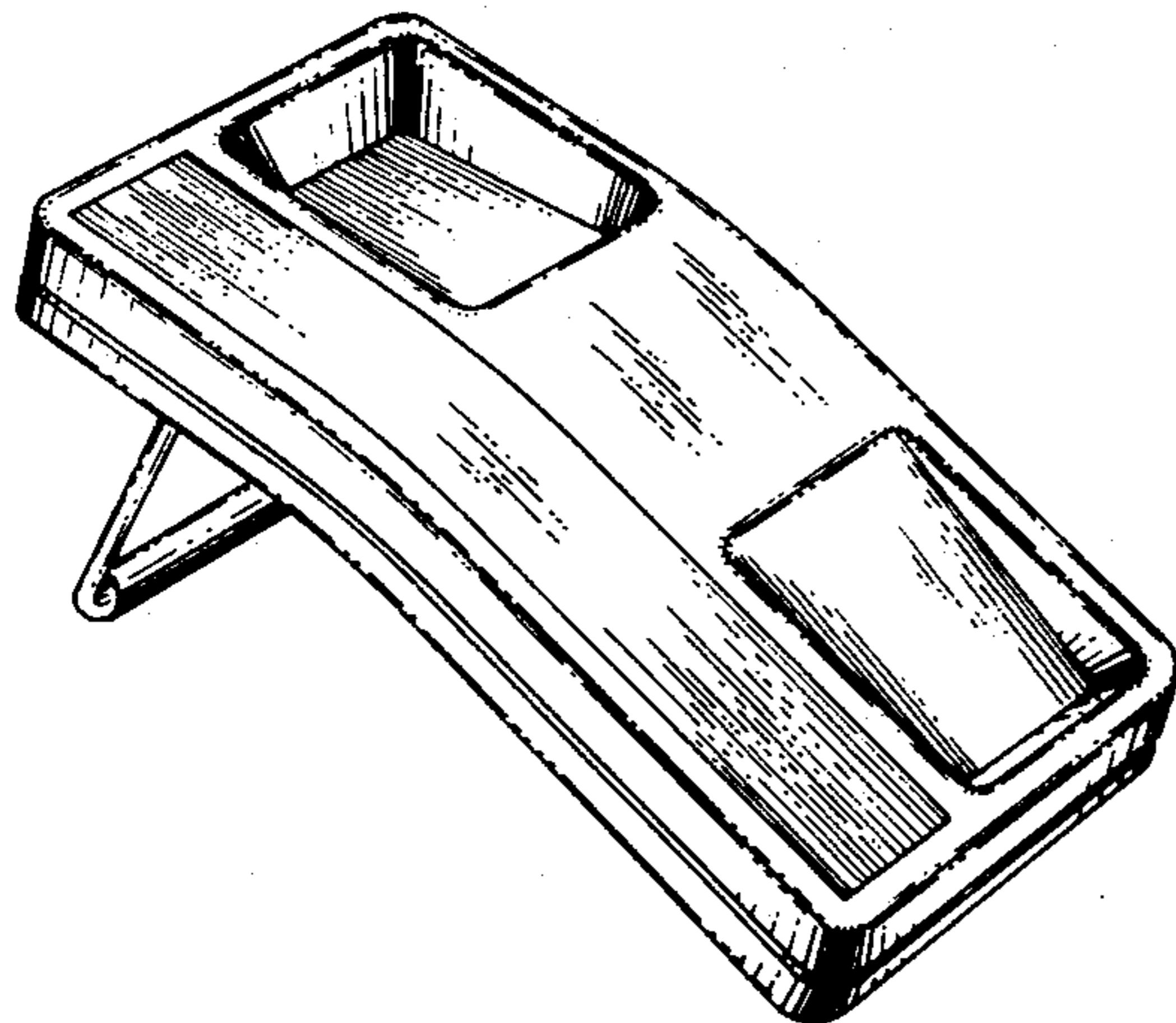


FIG. 1

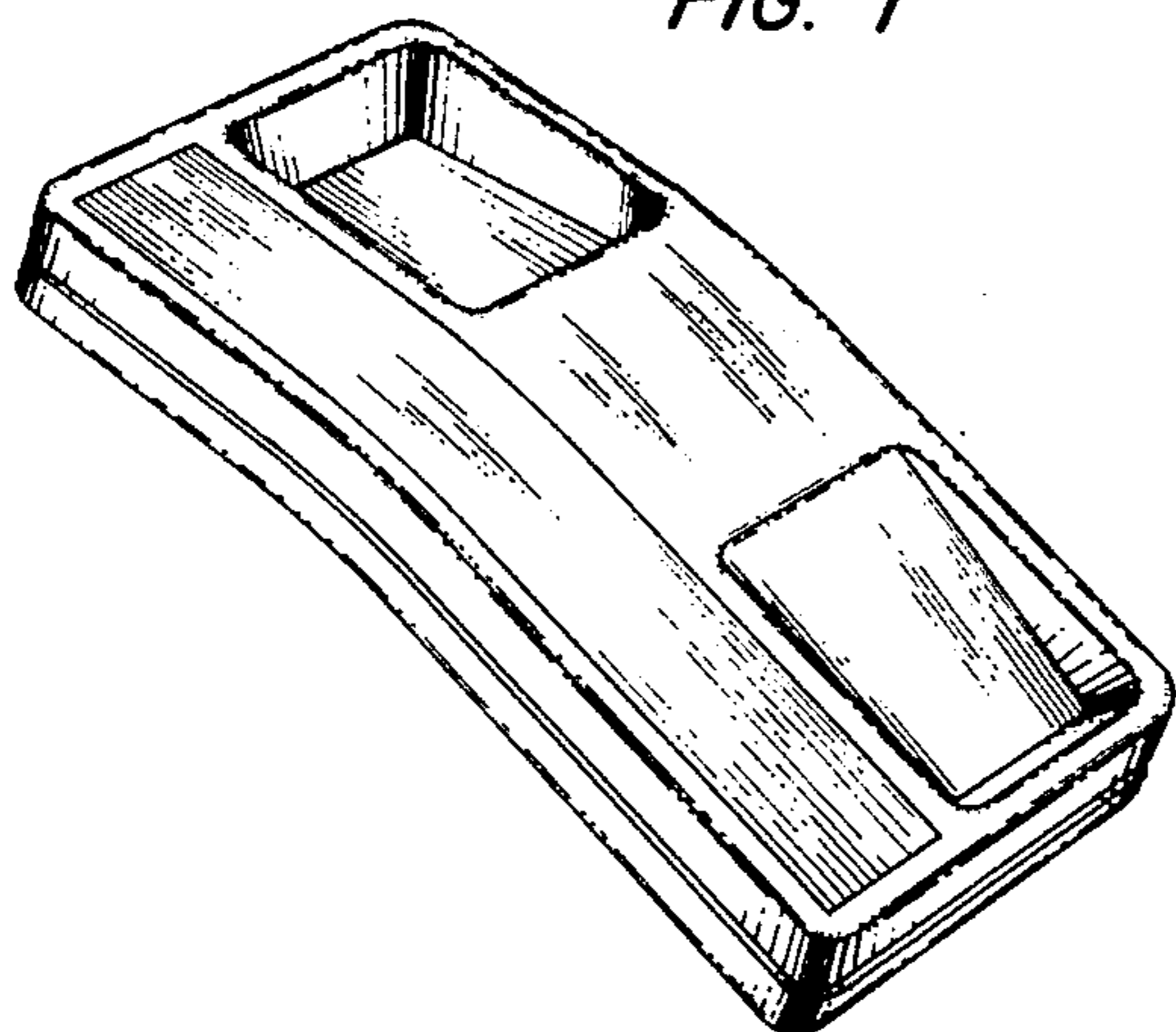


FIG. 2

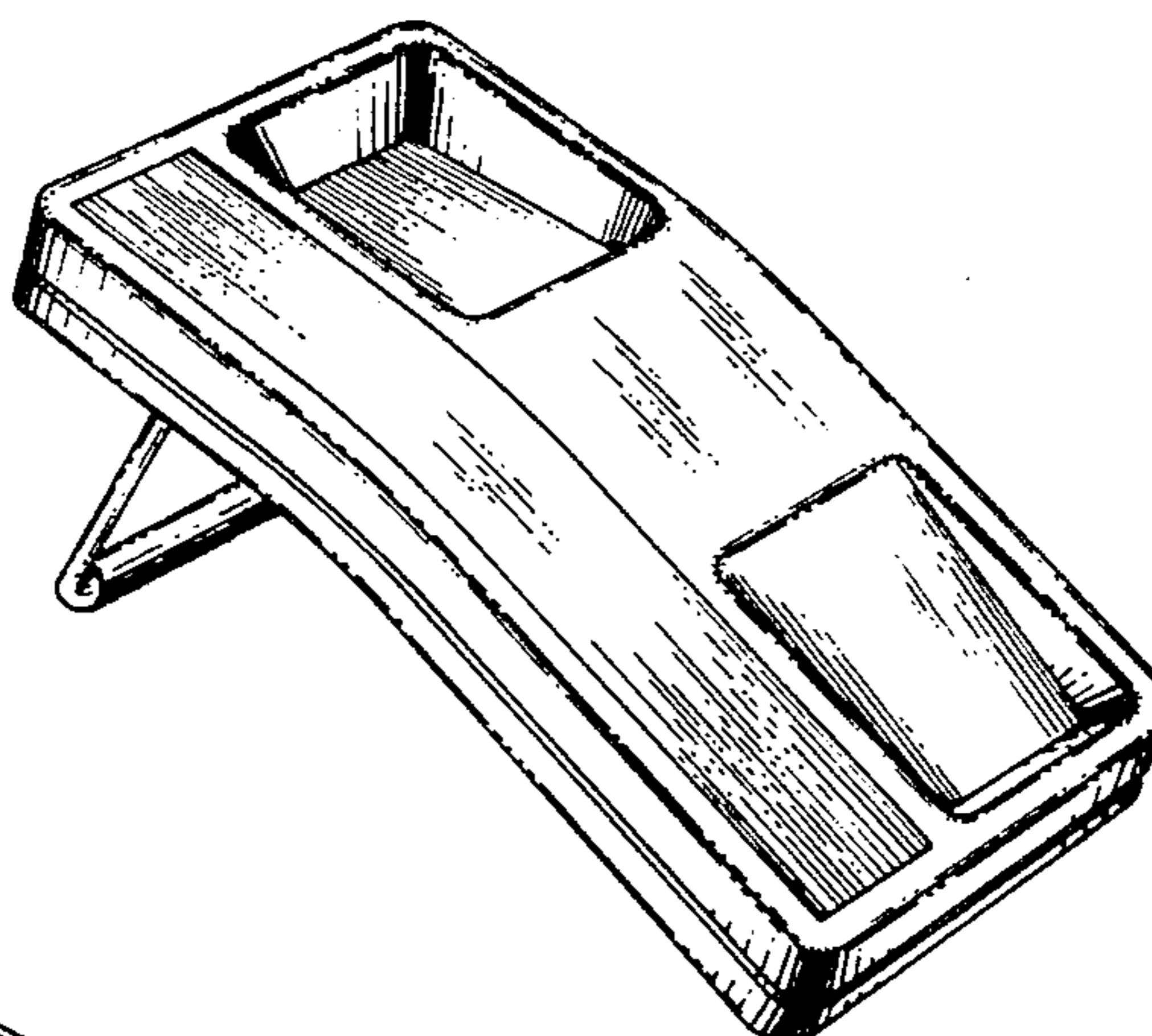


FIG. 3

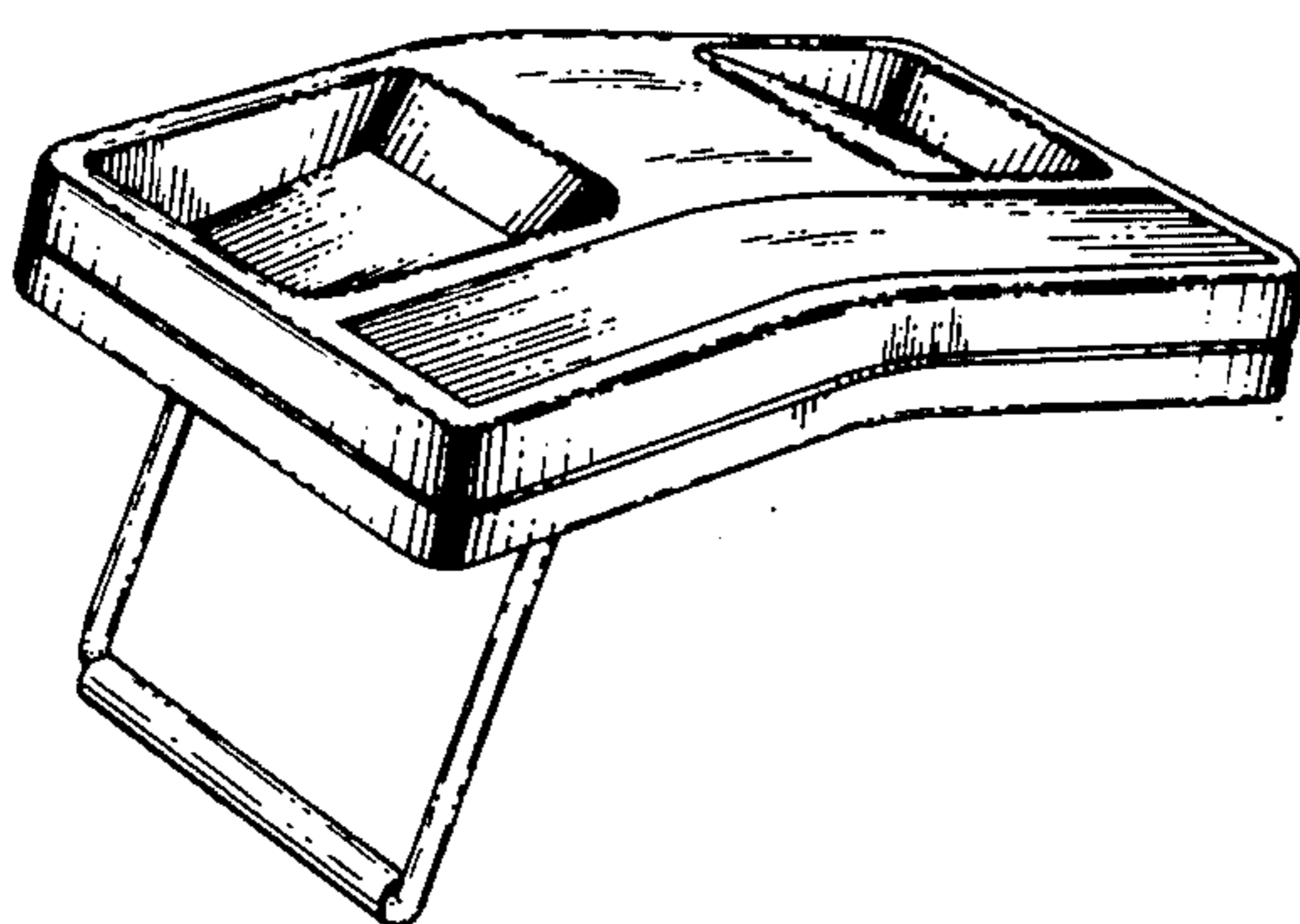


FIG. 4

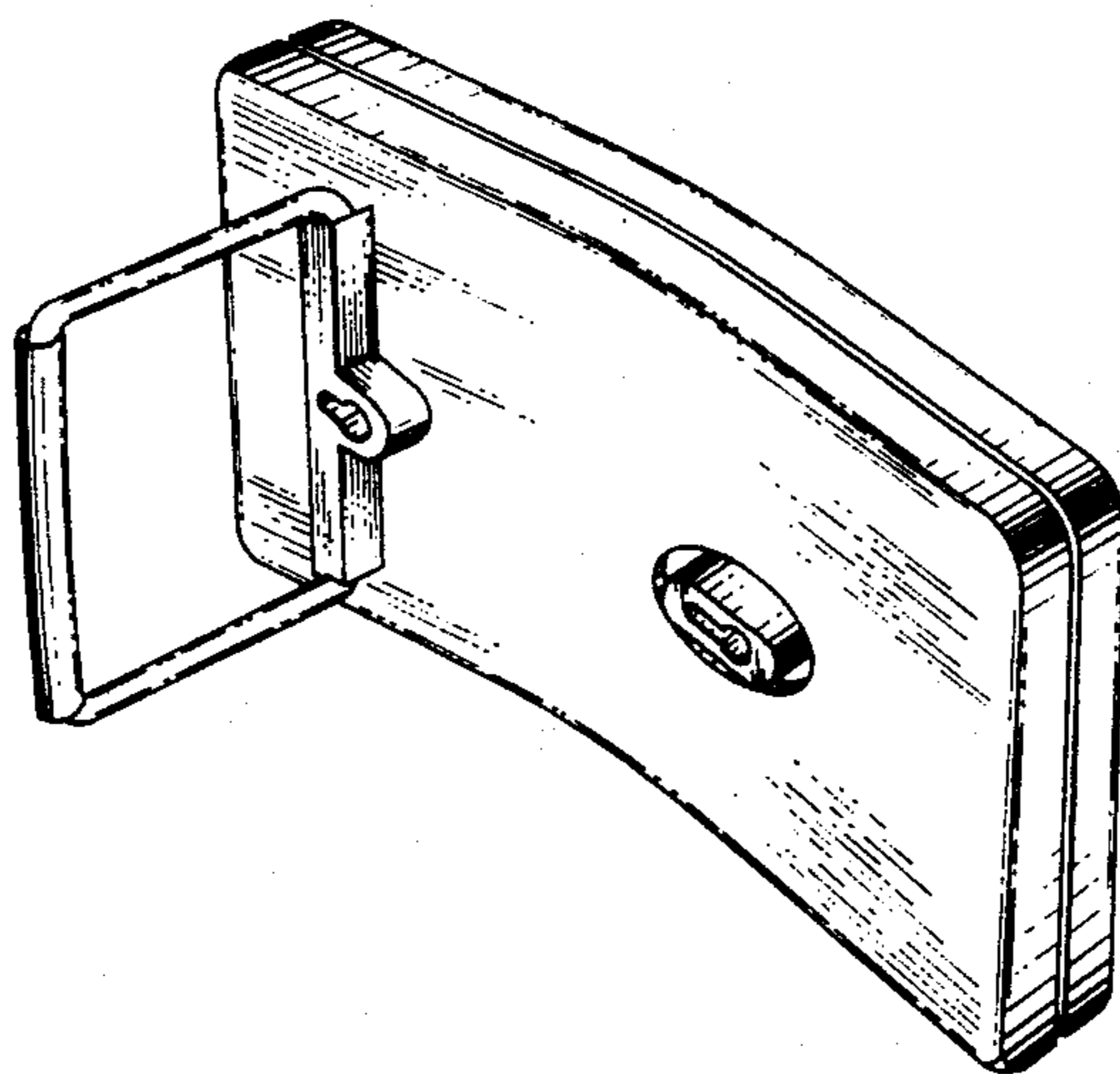


FIG. 5

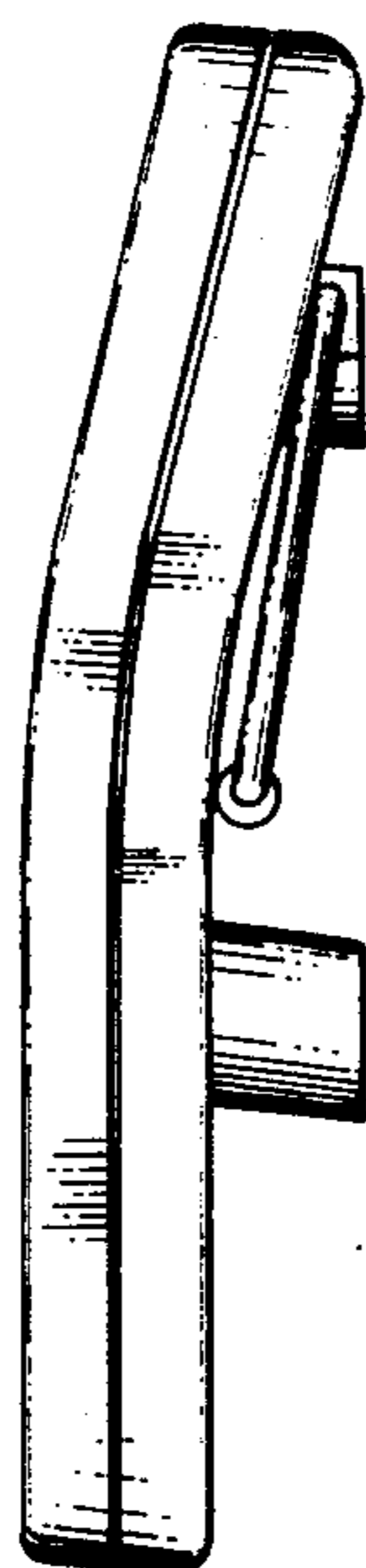


FIG. 6

