

[54] COMBINED MULTI-OUTLET BOX WITH MASTER SWITCH AND PROTECTIVE COVER THEREFOR

3,491,327 1/1970 Tait et al. 339/36
3,723,679 3/1973 Carney 200/51 R X

[75] Inventor: Frederic W. Schwartz, Providence, R.I.

Primary Examiner—Susan J. Lucas
Attorney, Agent, or Firm—Paul J. Sutton

[73] Assignee: Cable Electric Products, Inc., Providence, R.I.

[57] CLAIM

The ornamental design for a combined multi-outlet box with master switch and protective cover therefor, as shown and described.

[**] Term: 14 Years

DESCRIPTION

[21] Appl. No.: 369,698

FIG. 1 is a perspective view of the combined multi-outlet box with master switch and protective cover therefor showing my new design, the cover being omitted for convenience of illustration;

[22] Filed: Apr. 19, 1982

FIG. 2 is a side elevational view thereof;

[52] U.S. Cl. D13/30

FIG. 3 is a top view thereof as seen from the plane indicated by line 3—3 in FIG. 2;

[58] Field of Search D13/11, 12, 24, 30;
361/331, 332; 174/52 R, 67; 200/51 R, 42, 50;
307/112; 339/91 R, 154, 155, 156, 157 R;
36/159 R, 166 R, 14 R

FIG. 4 is a front elevational view thereof;

FIG. 5 is a rear elevational view thereof;

[56] References Cited

U.S. PATENT DOCUMENTS

D. 202,783 11/1965 Kahn D13/30
2,907,855 10/1959 Hedges 307/112 X
3,163,729 12/1964 Martin 200/51 R X

FIG. 6 is a bottom plan view thereof;

FIG. 7 is a perspective view of the complete multi-outlet box and protective cover;

FIG. 8 is a bottom perspective view of the cover, the outlet box being omitted for purposes of disclosure.

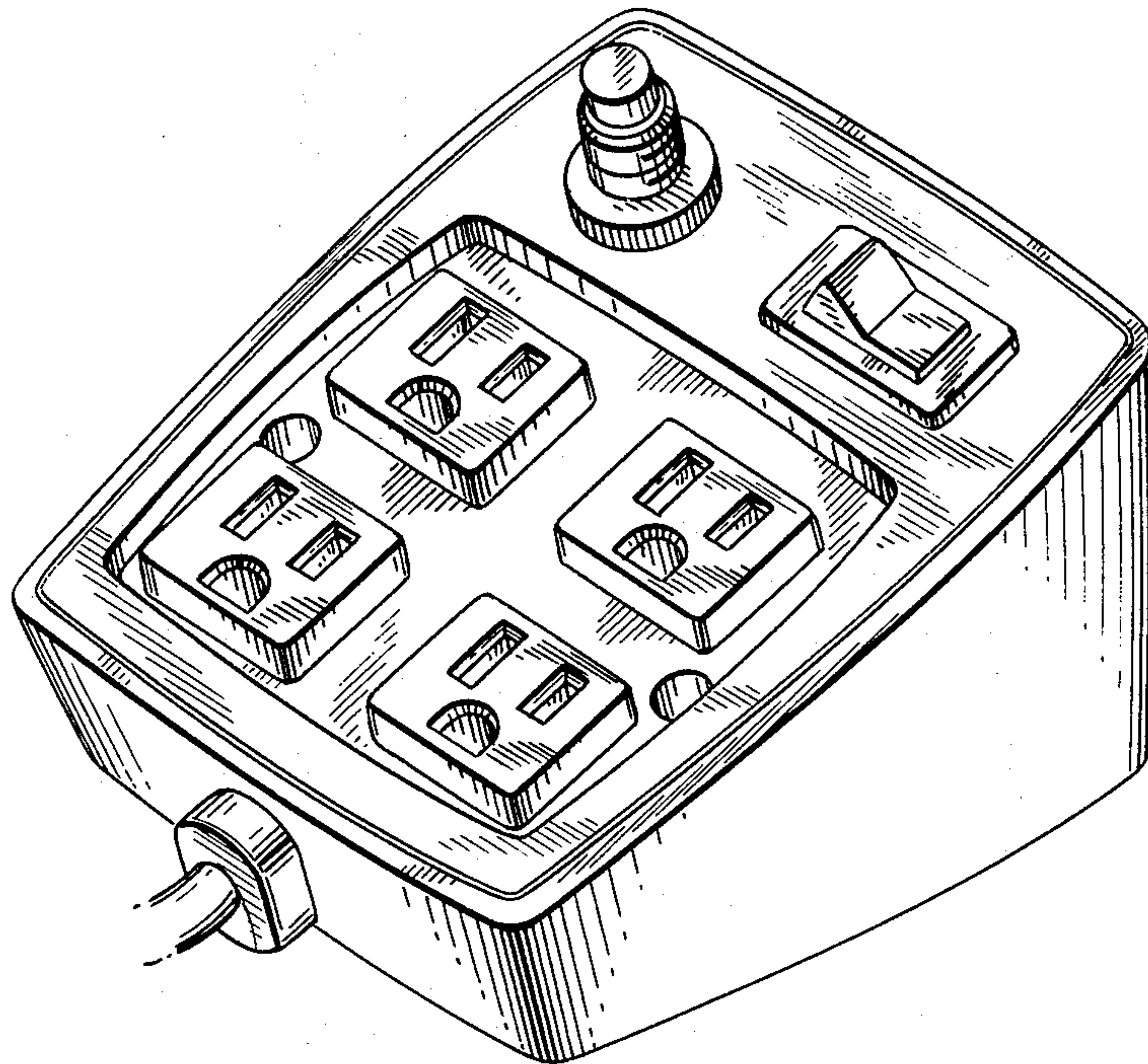


FIG. 1

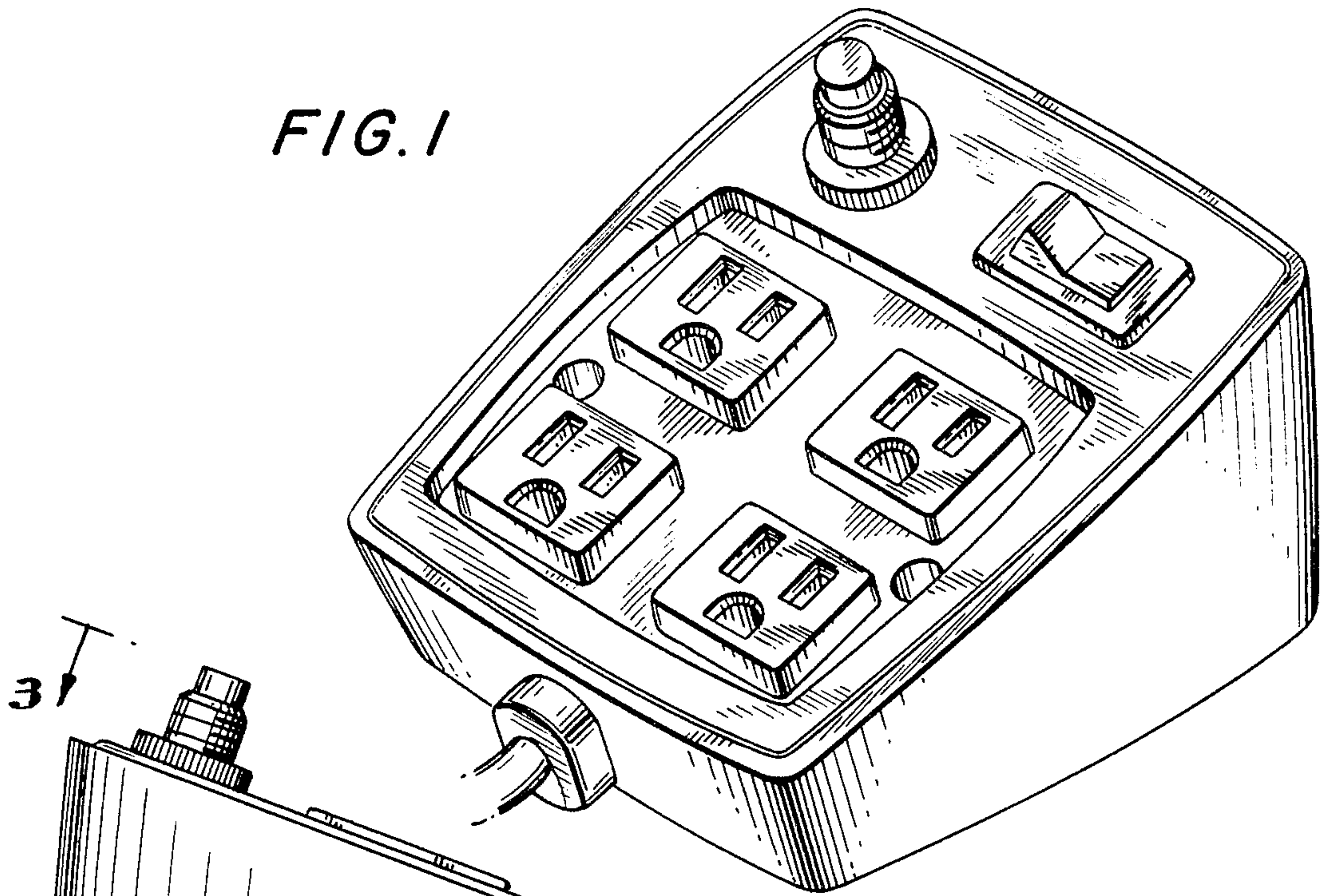


FIG. 2

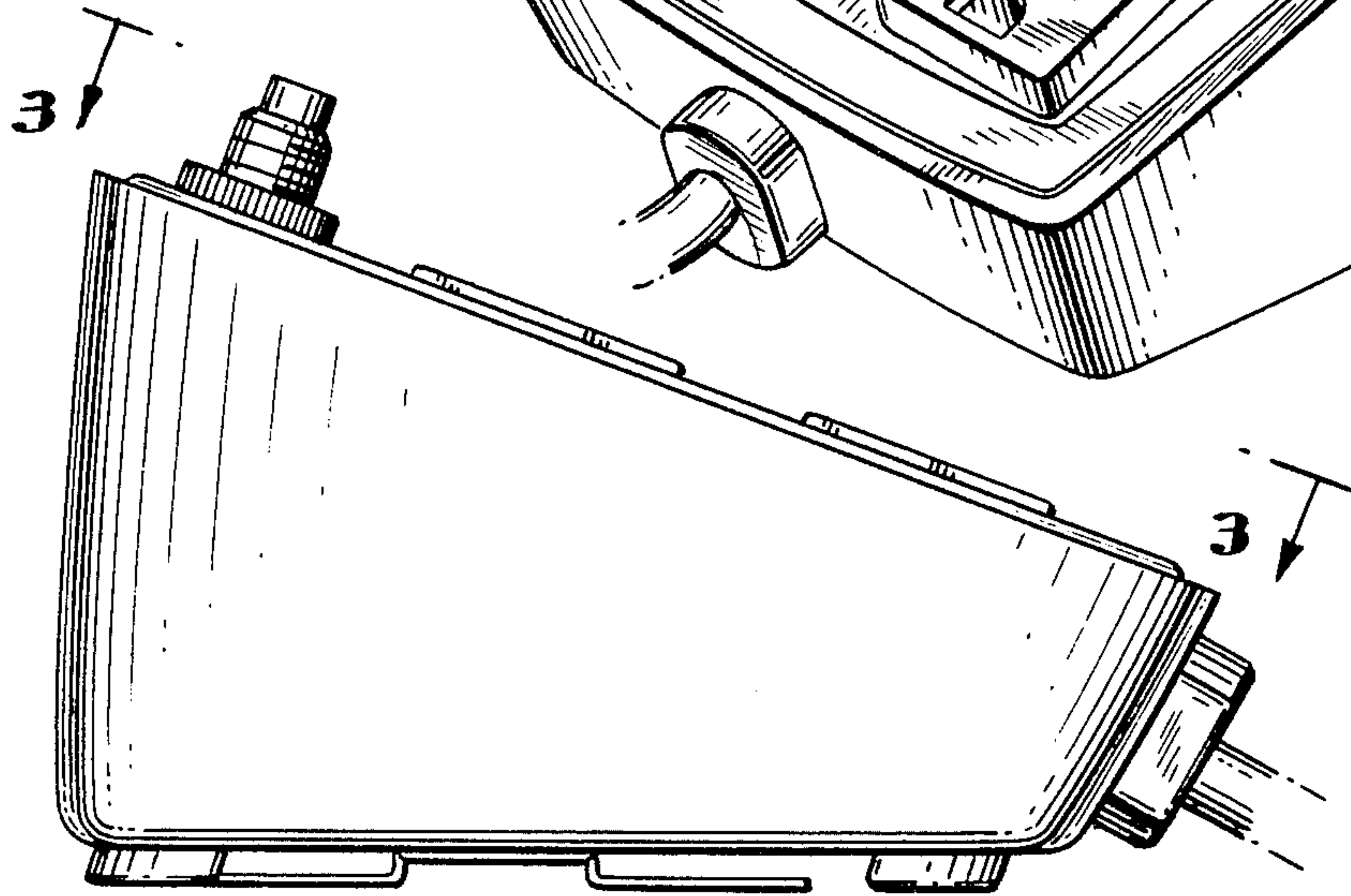
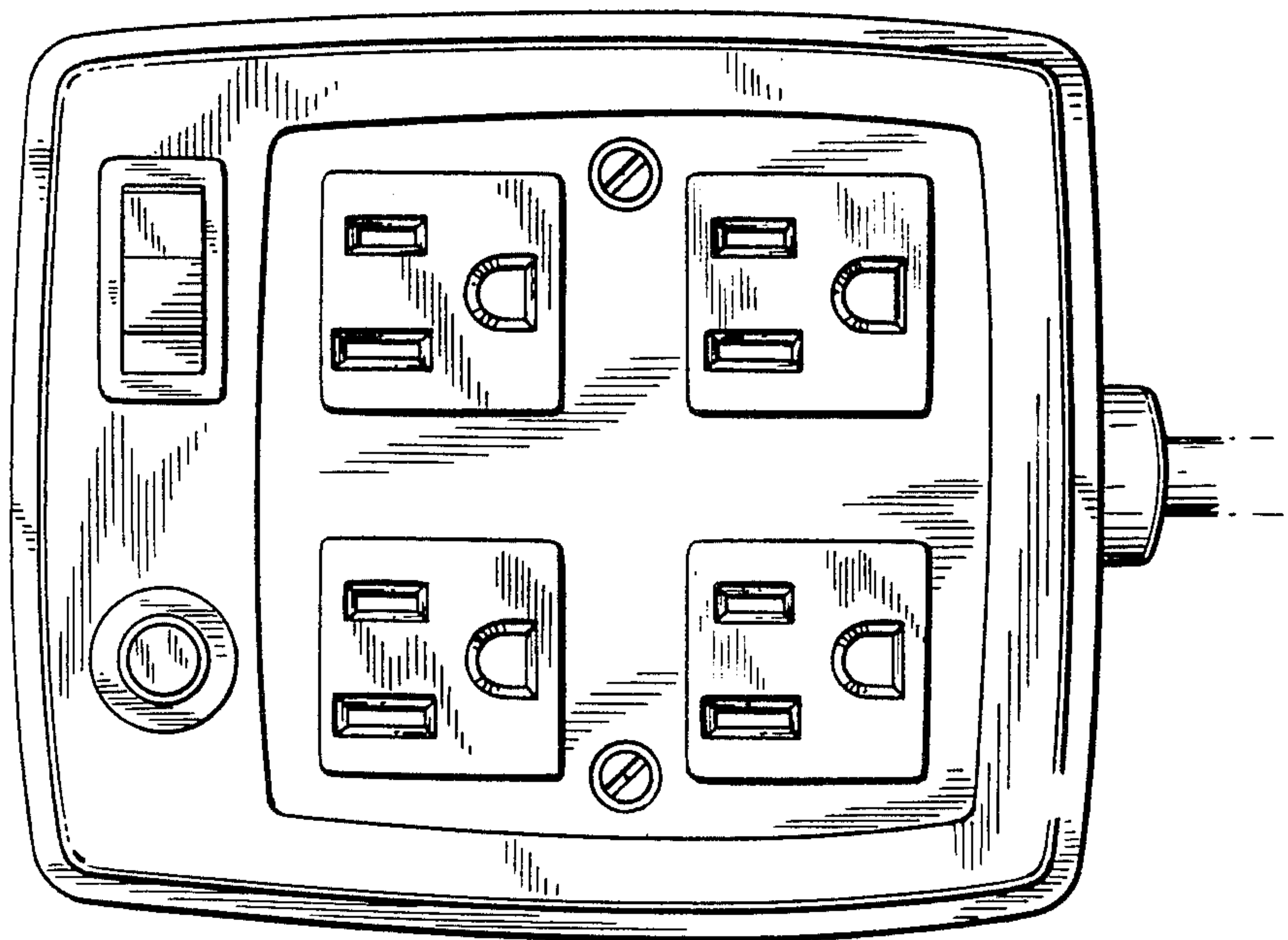


FIG. 3



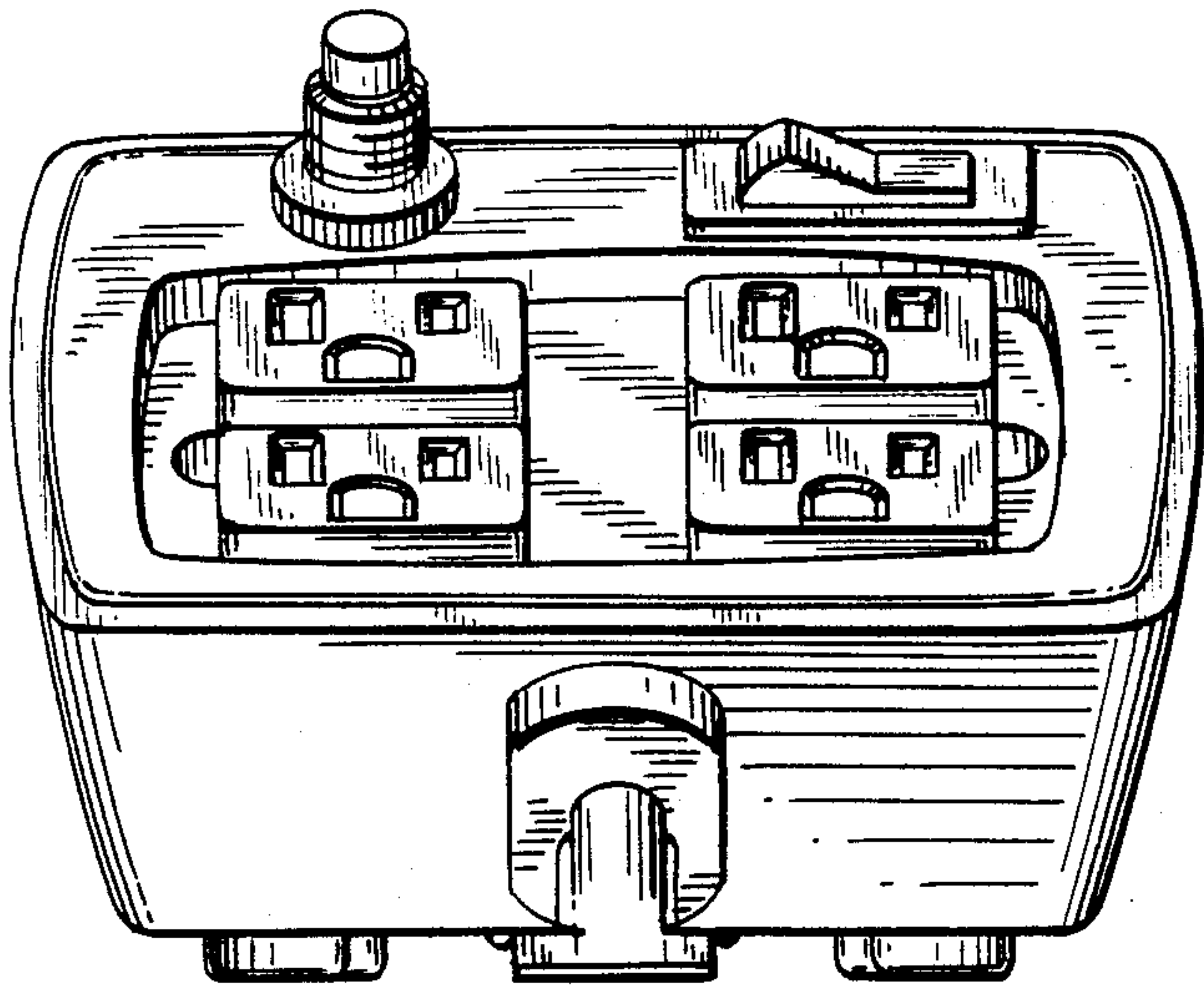


FIG. 4

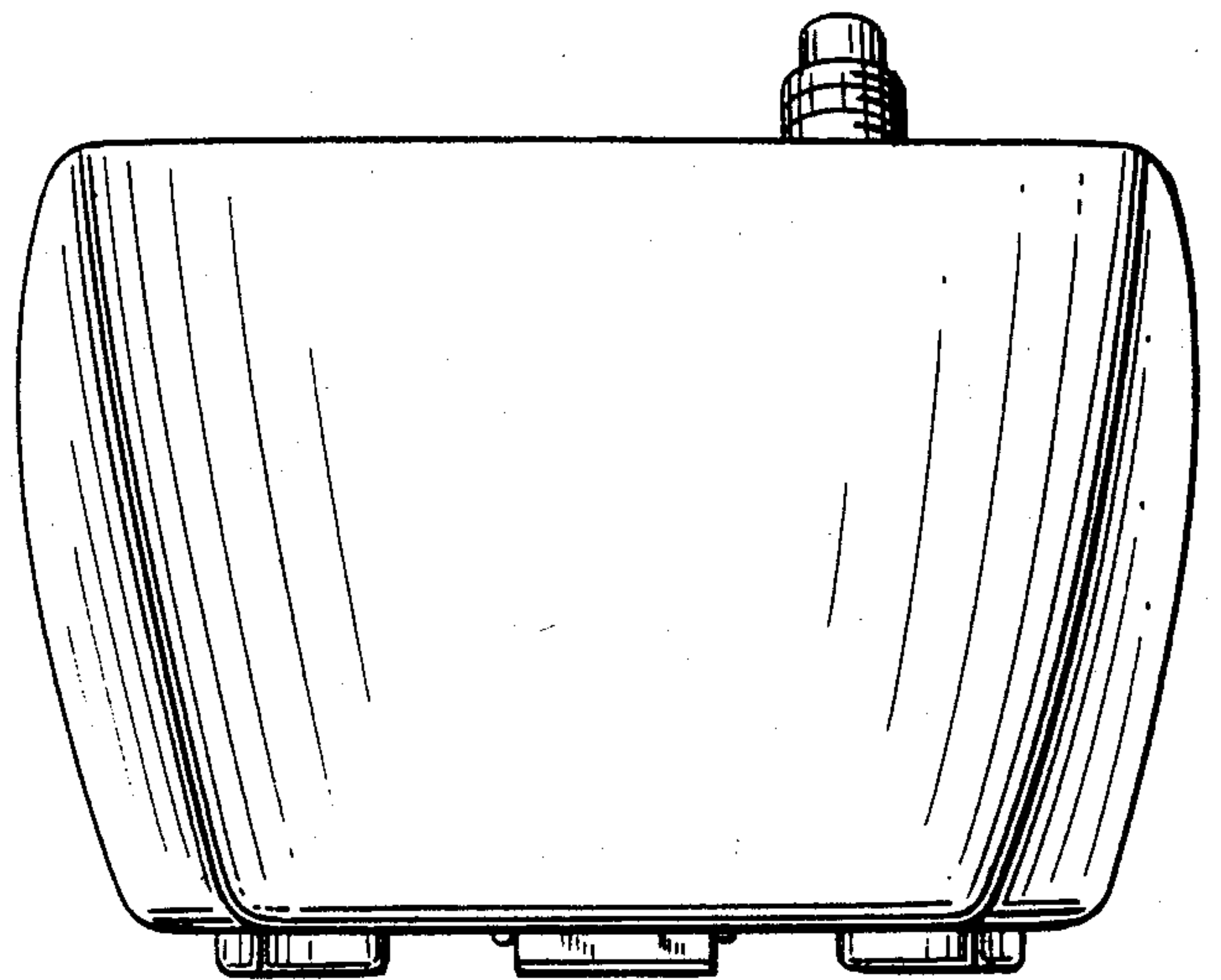


FIG. 5

FIG. 6

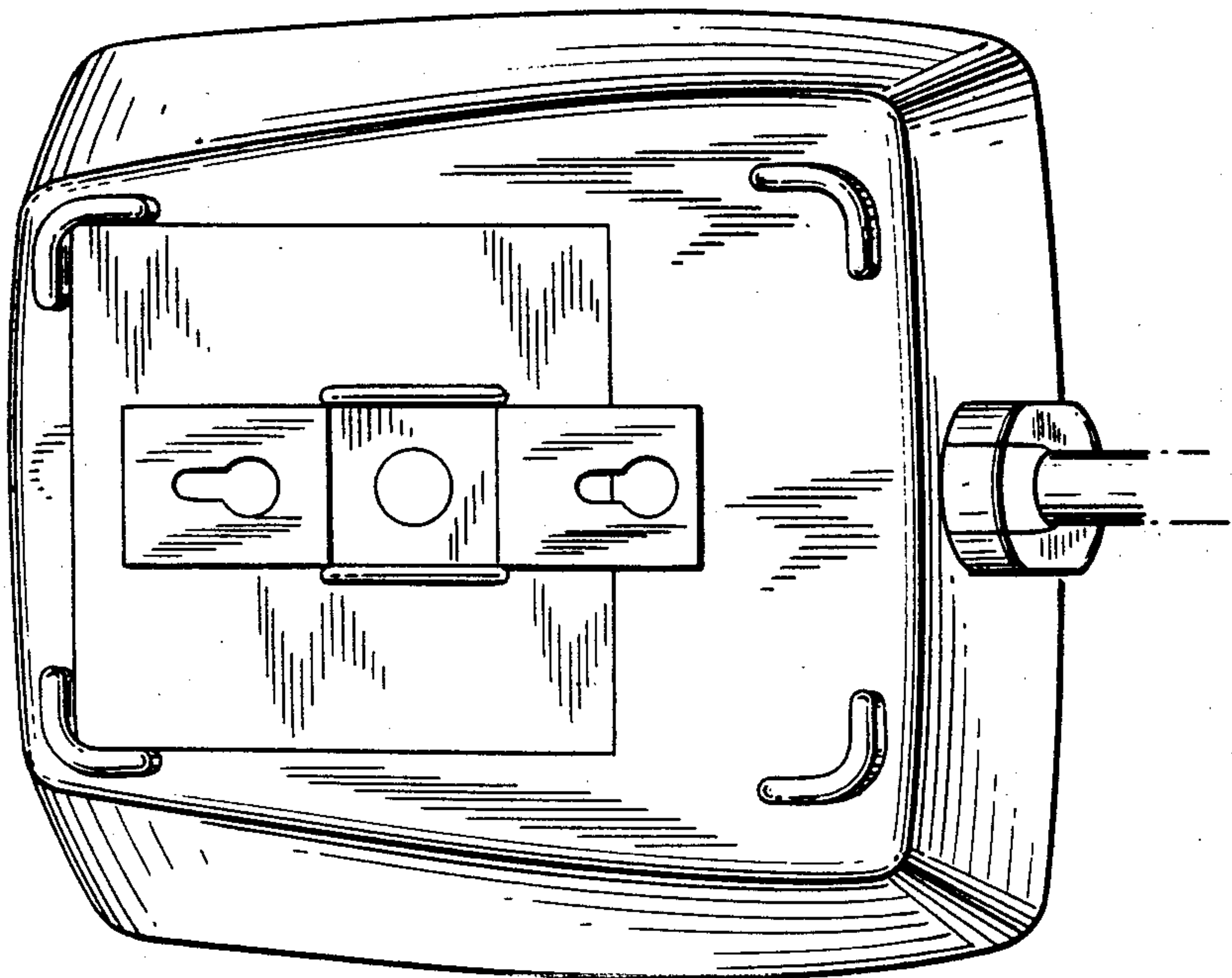


FIG. 7

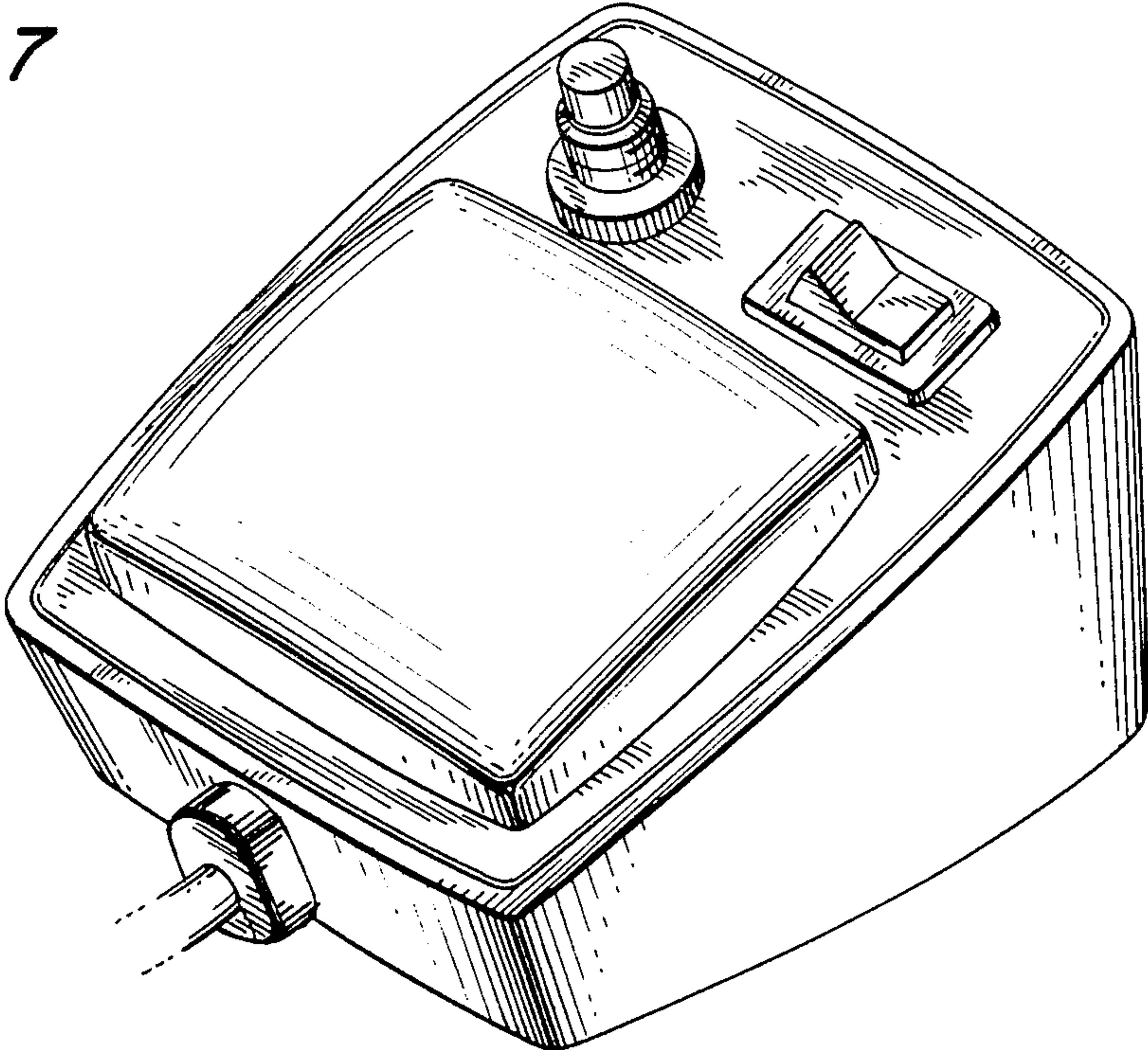


FIG. 8

