

[54] WATCH BAND

[75] Inventor: Jiro Matsuo, Tokyo, Japan

[73] Assignee: Citizen Watch Co., Ltd., Tokyo, Japan

[\*\*] Term: 14 Years

[21] Appl. No.: 526,146

[22] Filed: Aug. 24, 1983

[30] Foreign Application Priority Data

Jun. 23, 1983 [JP] Japan ..... 58-27179

[52] U.S. Cl. .... D11/4

[58] Field of Search ..... D11/1, 2, 86, 3, 4, D11/19-21, 25, 87; 63/1 R-2, 3-11; D10/32

[56] References Cited

U.S. PATENT DOCUMENTS

- D. 156,484 12/1949 Chernow ..... D11/87
- D. 244,432 5/1977 Haber ..... D10/32
- 345,767 7/1886 Buckley ..... D11/4 X

- 2,461,693 2/1949 McAloon ..... D11/2 X
- 2,937,798 5/1960 Morf ..... D11/4 X

FOREIGN PATENT DOCUMENTS

216750 1/1942 Switzerland ..... 11/3

Primary Examiner—Louis S. Zarfes  
Attorney, Agent, or Firm—Koda and Androlia

[57] CLAIM

The ornamental design for a watch band, as substantially shown and described.

DESCRIPTION

FIG. 1 is a front elevational view of a watch band showing my new design;  
 FIG. 2 is a rear elevational view thereof;  
 FIG. 3 is a cross sectional view taken along the arrow A—A in FIG. 1;  
 FIG. 4 is a top plan view thereof;  
 FIG. 5 is a left side elevational view thereof;  
 FIG. 6 is a right side elevational view thereof; and  
 FIG. 7 is a perspective view thereof.

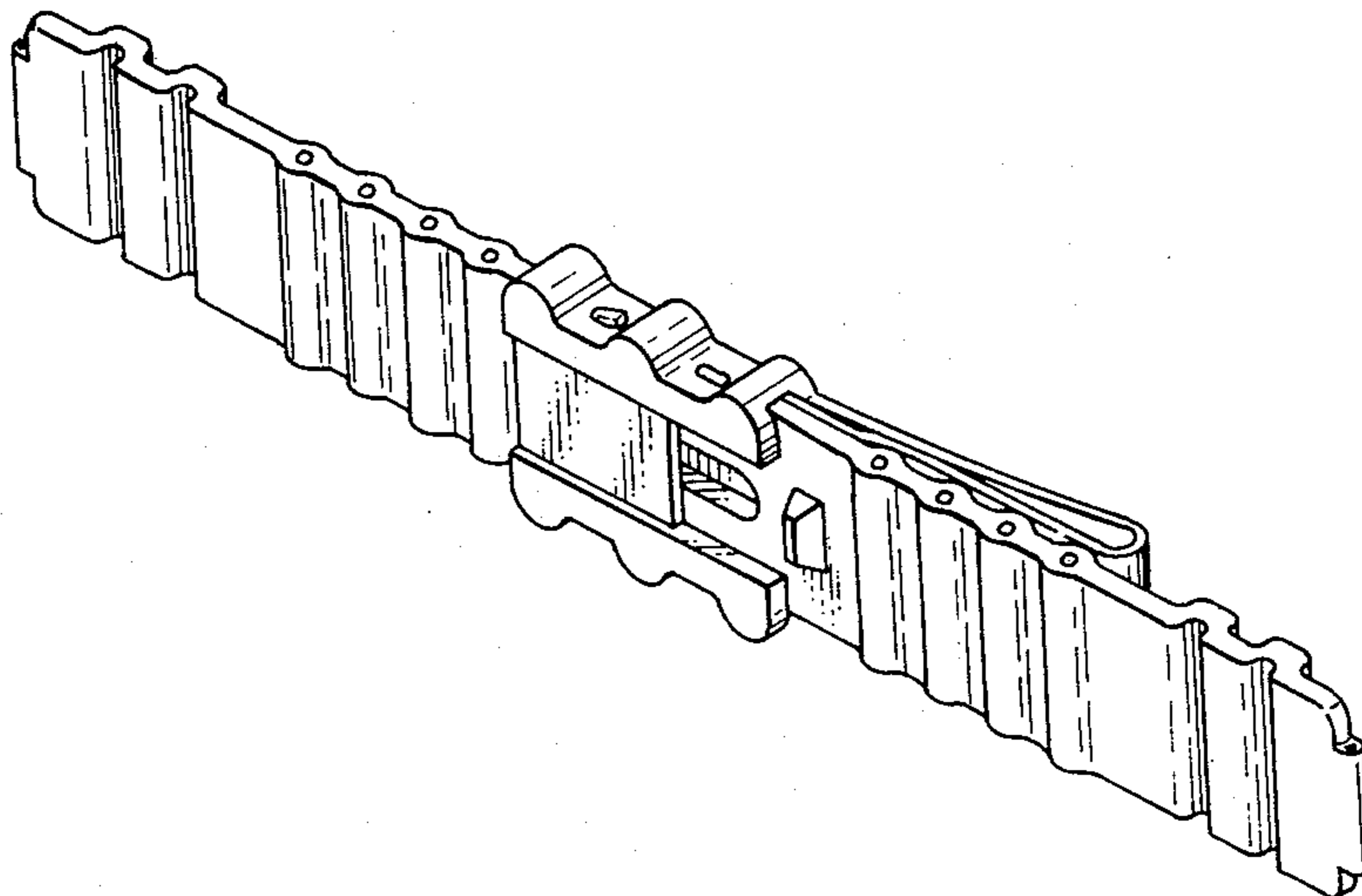


FIG. 1

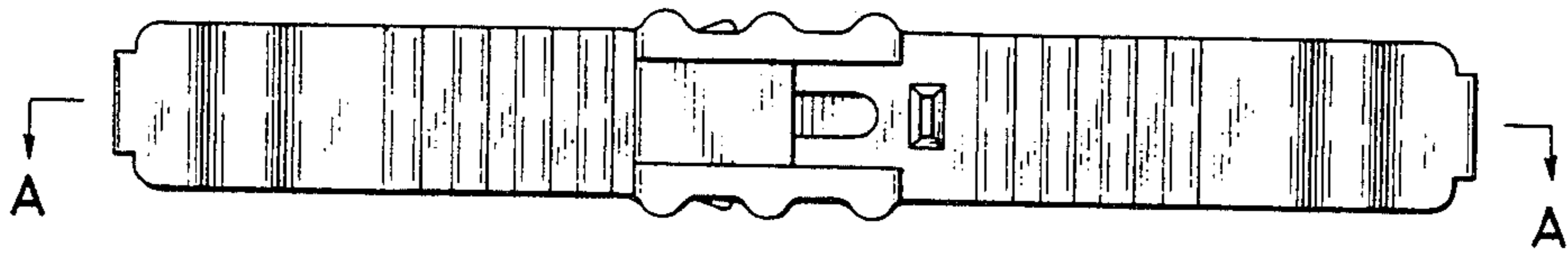


FIG. 2

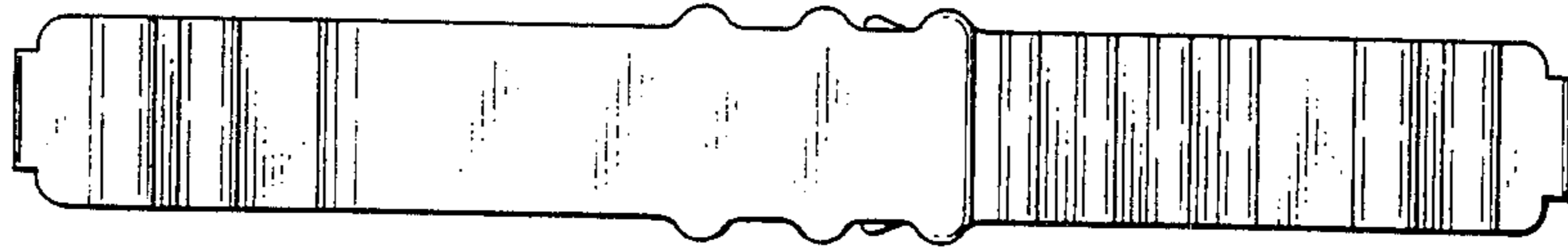


FIG. 3

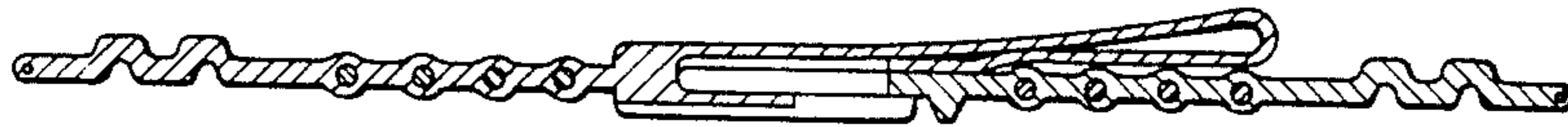


FIG. 4

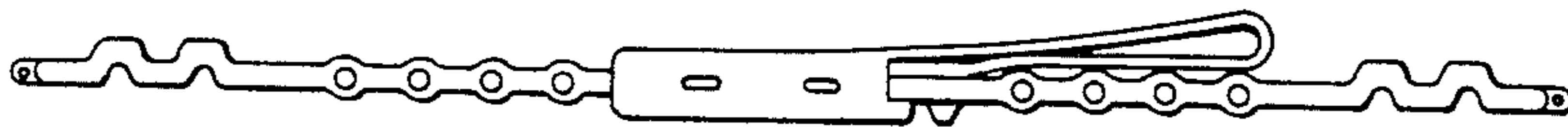


FIG. 5



FIG. 6



FIG. 7

