

[54] **TRAFFIC CONTROL DRUM**
[75] Inventor: **Milton T. Cory**, Gastonia, N.C.
[73] Assignee: **Radiator Specialty Company, Incorporated**, Charlotte, N.C.
[**] Term: **14 Years**
[21] Appl. No.: **558,751**
[22] Filed: **Dec. 5, 1983**
[52] U.S. Cl. **D10/109**
[58] Field of Search D10/109, 116, 113;
116/63 R, 63 P, 63 C; 40/598, 612; 404/6, 9, 10;
256/13.1

D. 276,142 10/1984 Dobrin D10/106
2,957,444 10/1960 Boettler 116/63 C
3,099,244 7/1963 Knapp 116/63 C

Primary Examiner—B. J. Bullock
Assistant Examiner—Suzanne N. Gitlin
Attorney, Agent, or Firm—Mason, Fenwick & Lawrence

[57] **CLAIM**

The ornamental design for a traffic control drum, substantially as shown.

DESCRIPTION

FIG. 1 is a perspective view of a traffic control drum showing my new design;
FIG. 2 is an exploded perspective view thereof;
FIG. 3 is a top plan view thereof;
FIG. 4 is a bottom plan view thereof;
FIG. 5 is a side elevational view thereof;
FIG. 6 is a front elevational view shown broken away for clarity of illustration.

[56] **References Cited**
U.S. PATENT DOCUMENTS

D. 229,784 1/1974 Carter D10/109
D. 237,473 11/1975 Fitch D10/109
D. 270,719 9/1983 Porath et al. D10/109

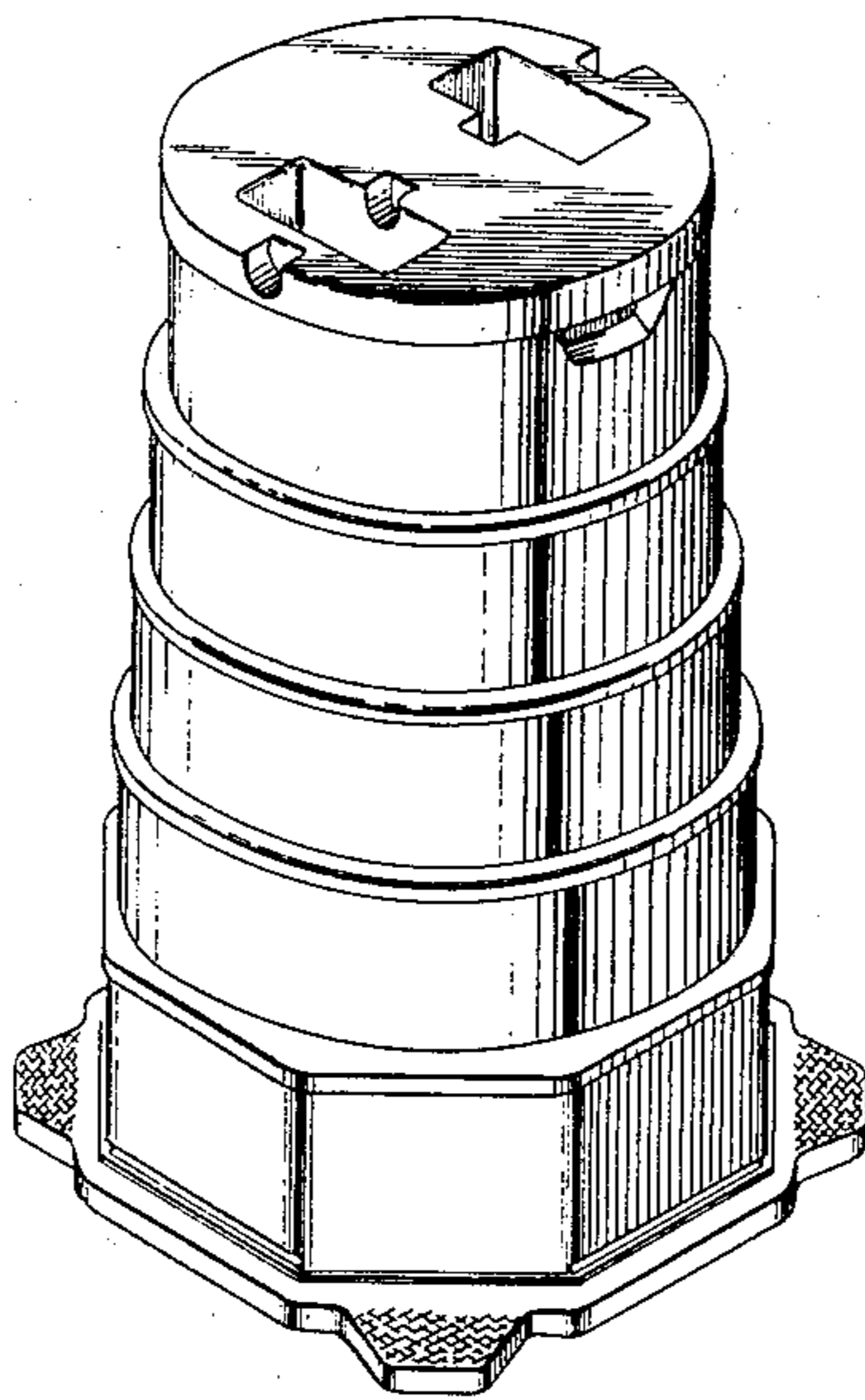


Fig-1

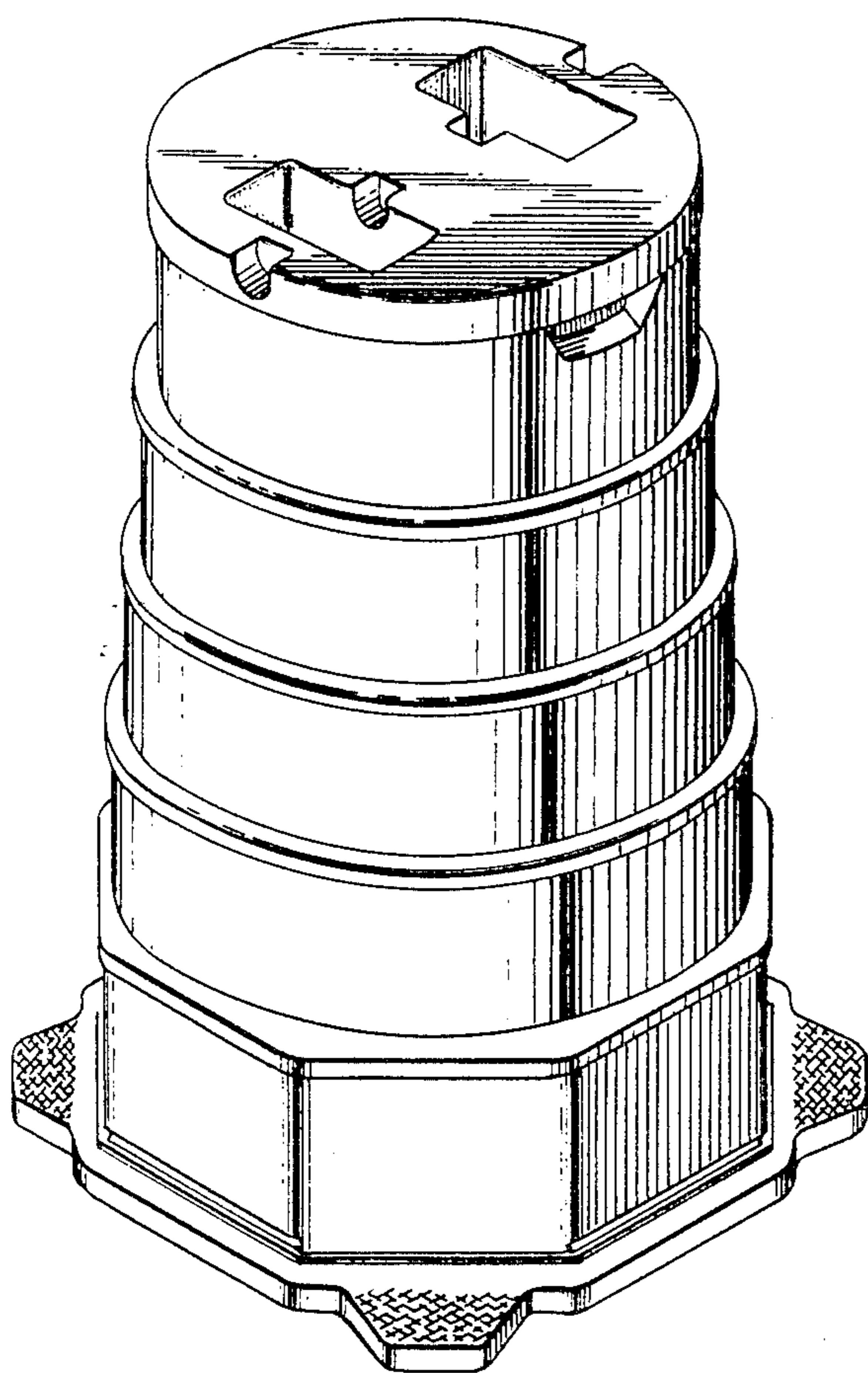


Fig-2

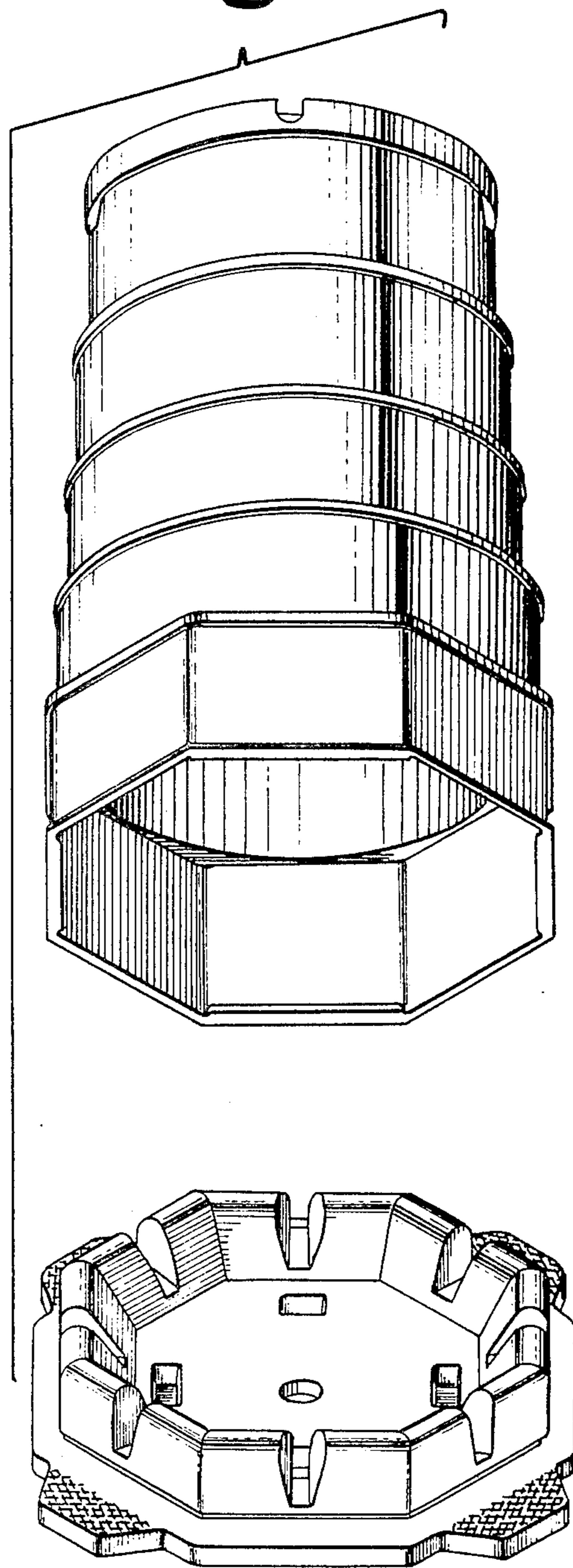


Fig. 3

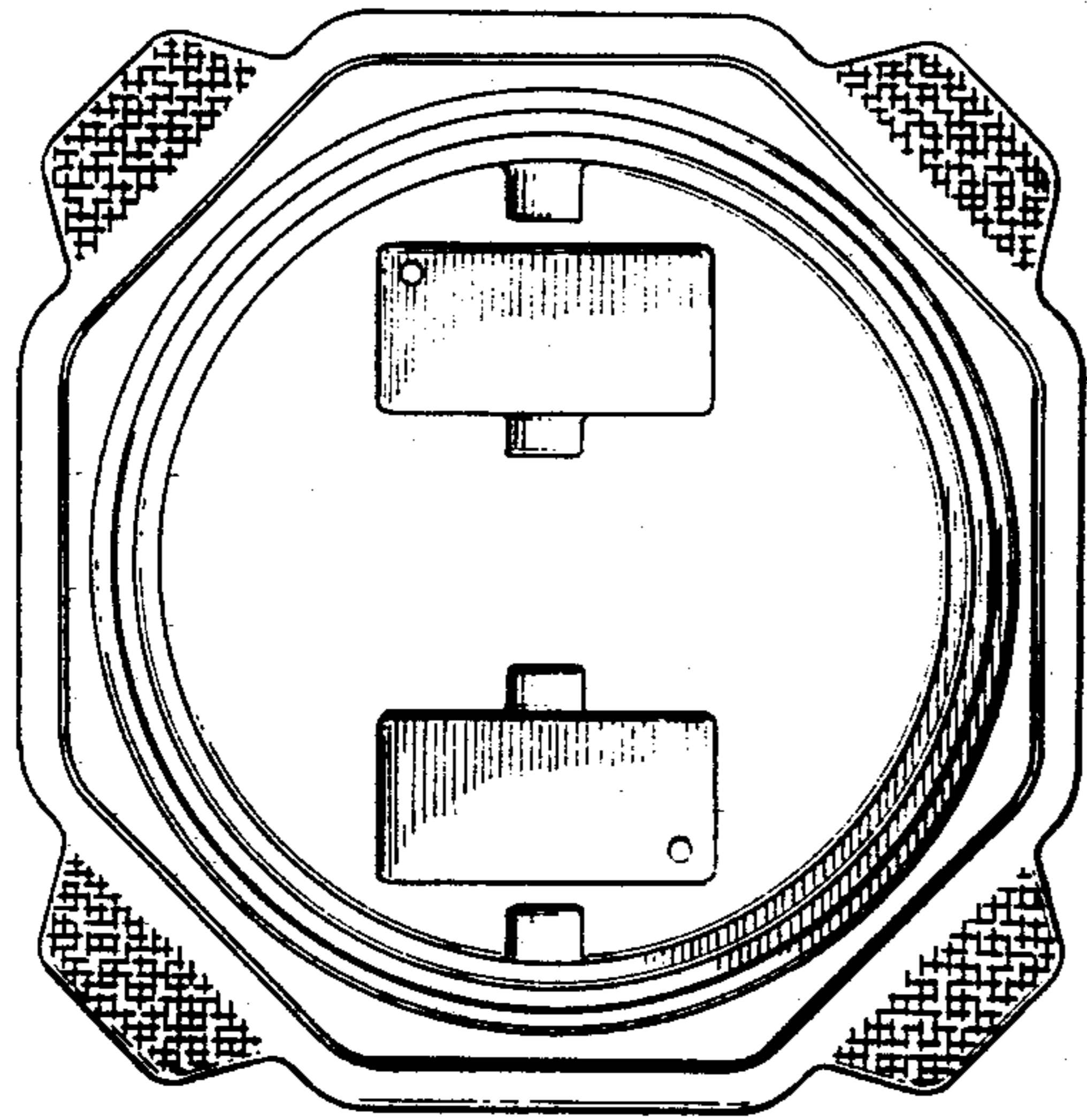


Fig. 4

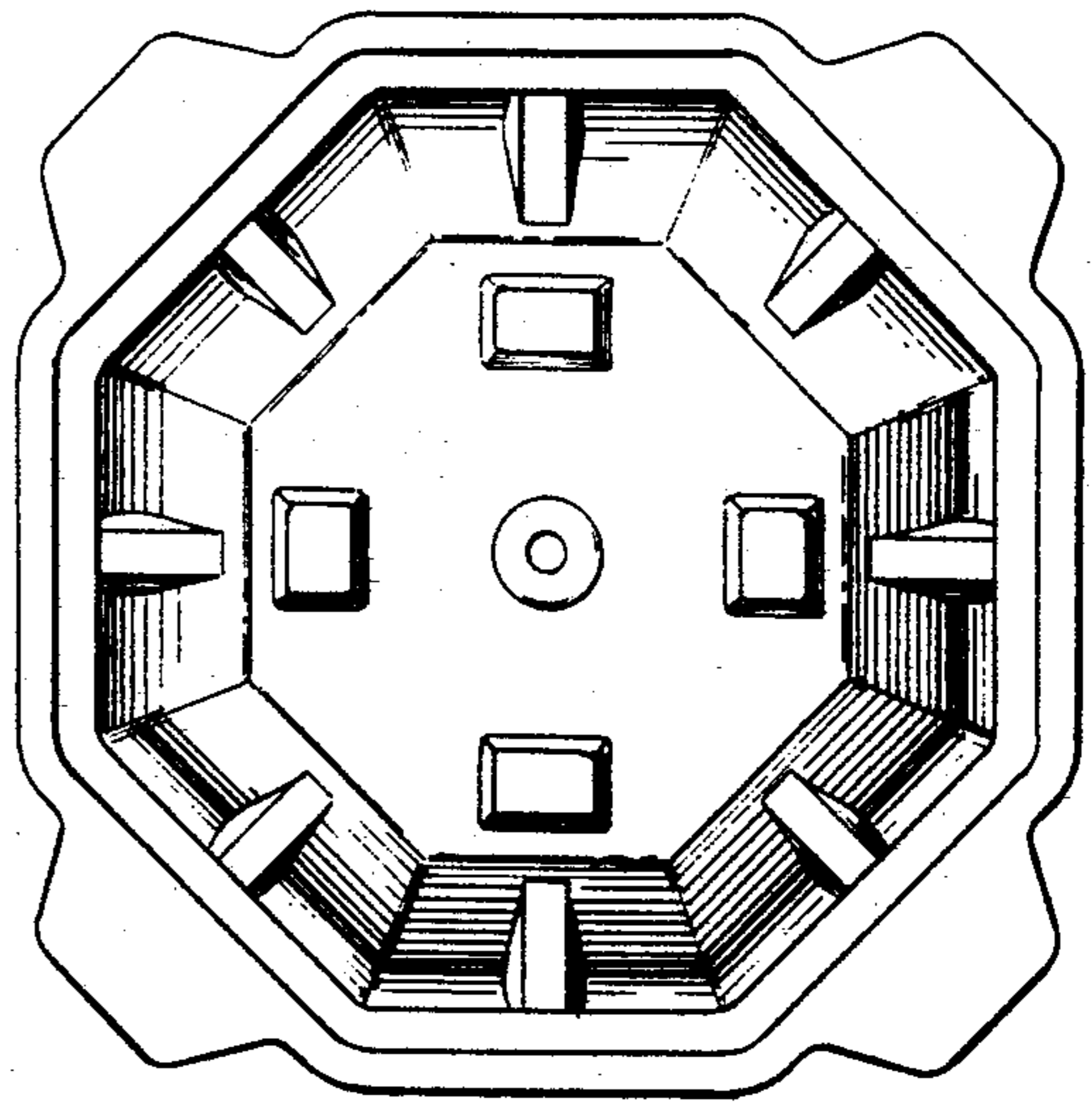


Fig. 5

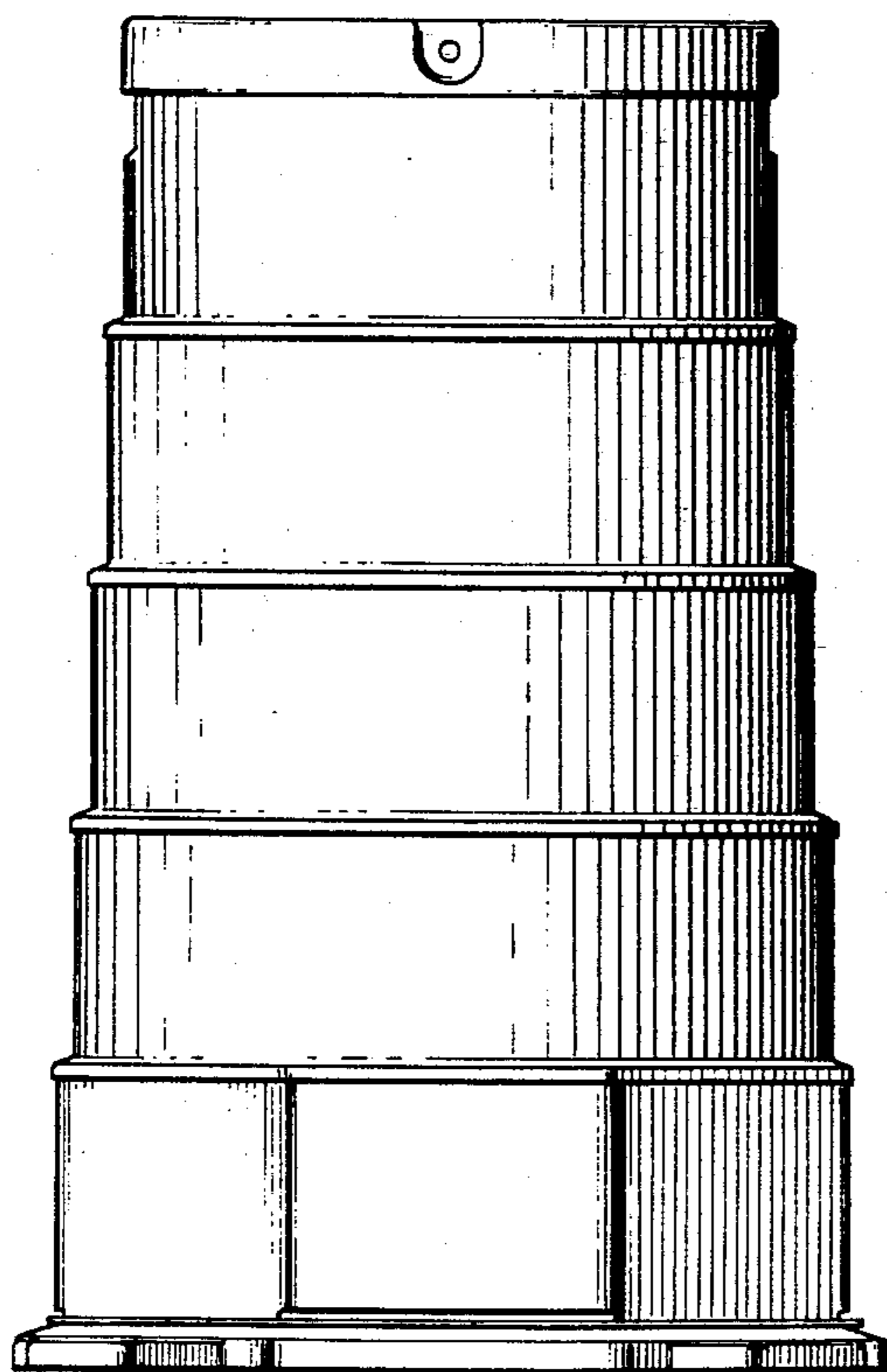


Fig. 6

