

[54] WRISTWATCH

D. 269,546 6/1983 Rogers D10/38 X
2,482,660 9/1949 Dewey D10/32 X

[75] Inventor: Giorgetto Giugiaro, Trofarello, Italy

[73] Assignee: Kabushiki Kaisha Hattori Seiko,
Tokyo, Japan

[**] Term: 14 Years

[21] Appl. No.: 509,187

[22] Filed: Jun. 29, 1983

[30] Foreign Application Priority Data

Jan. 20, 1983 [JP] Japan 58-1956

[52] U.S. Cl. D10/38; D10/15;
D10/30

[58] Field of Search D10/30-40,
D10/122-126; 368/10, 29-30, 80, 82-84, 101,
107-108, 110-113, 223, 228, 239-242, 276-278,
280-282, 285

[56] References Cited

U.S. PATENT DOCUMENTS

D. 257,479 11/1980 Carré D10/30

OTHER PUBLICATIONS

Merchandising-9/78-p. 75-Stopwatch at center left.

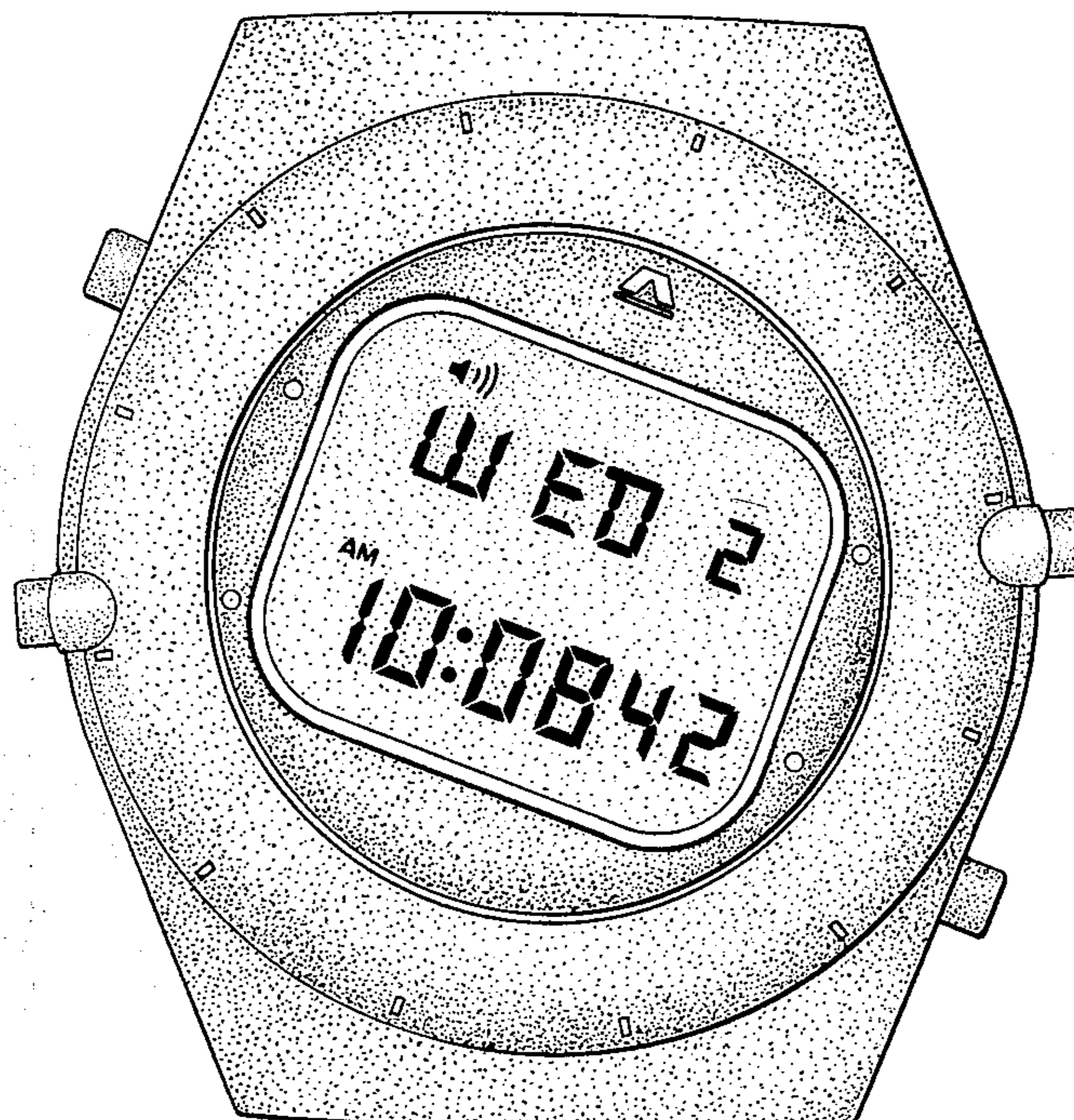
Primary Examiner-Nelson C. Holtje
Attorney, Agent, or Firm-Robert E. Burns; Emmanuel
J. Lobato; Bruce L. Adams

[57] CLAIM

The ornamental design for a wristwatch, substantially
as shown and described.

DESCRIPTION

FIG. 1 is a front elevational view of a wristwatch show-
ing my new design;
FIG. 2 is a left side elevational view thereof;
FIG. 3 is a right side elevational view thereof;
FIG. 4 is a rear elevational view thereof;
FIG. 5 is a top plan view thereof; and
FIG. 6 is a bottom plan view thereof.
The particular time, day and date information shown in
Fig. is for illustrative purposes only and is not intended
as part of the design.



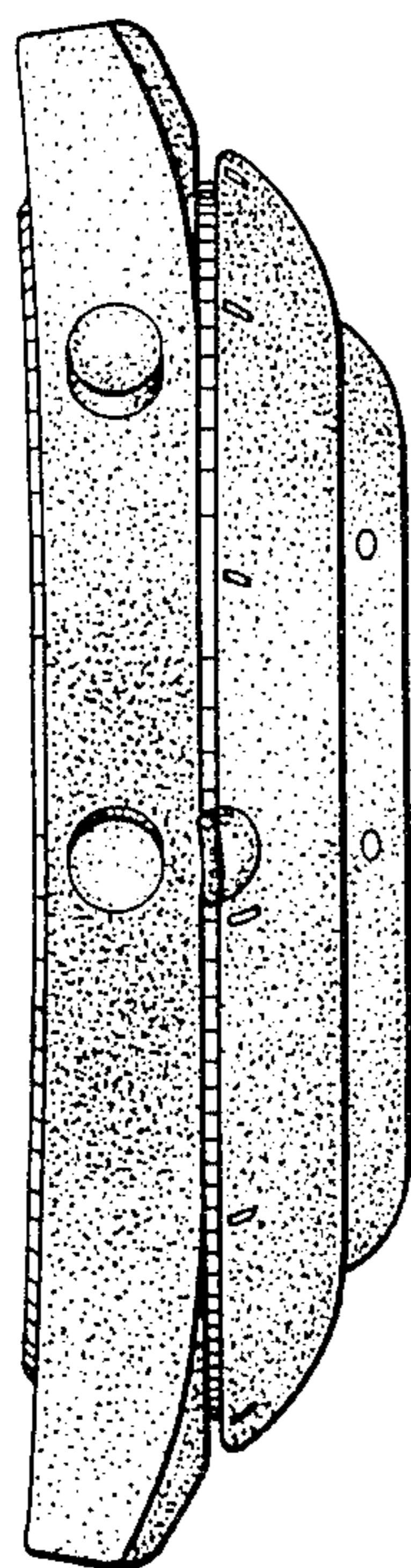


FIG. 2



FIG. 1

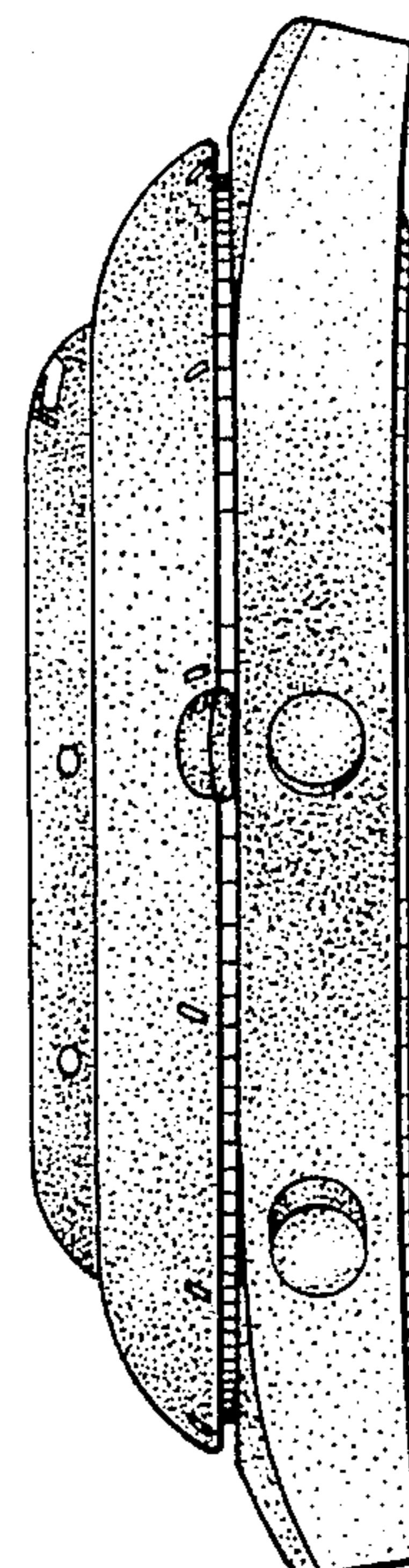


FIG. 3

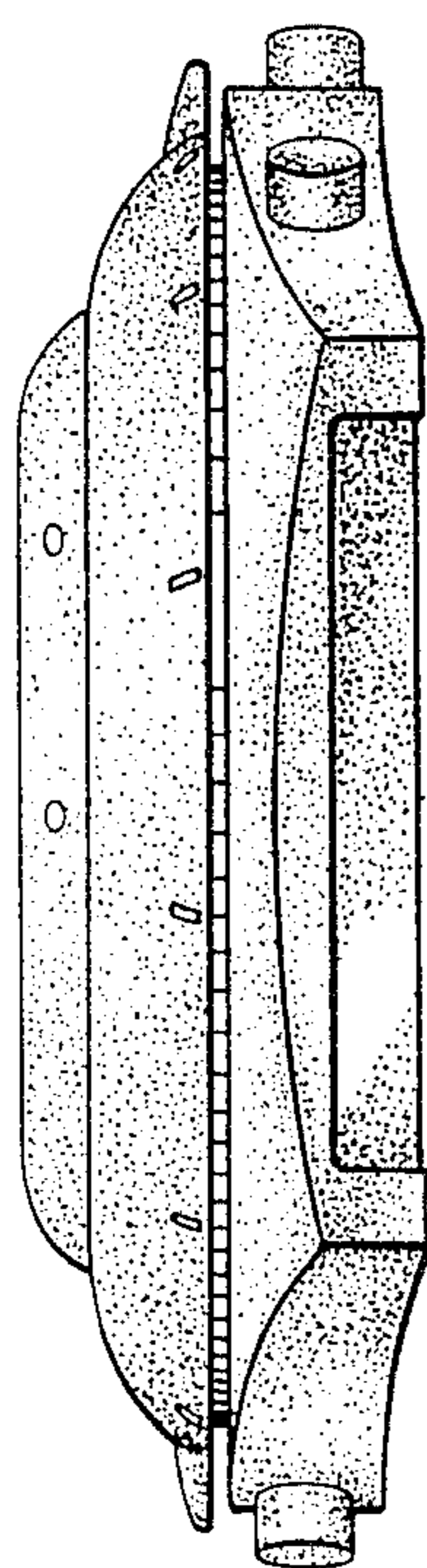


FIG. 5

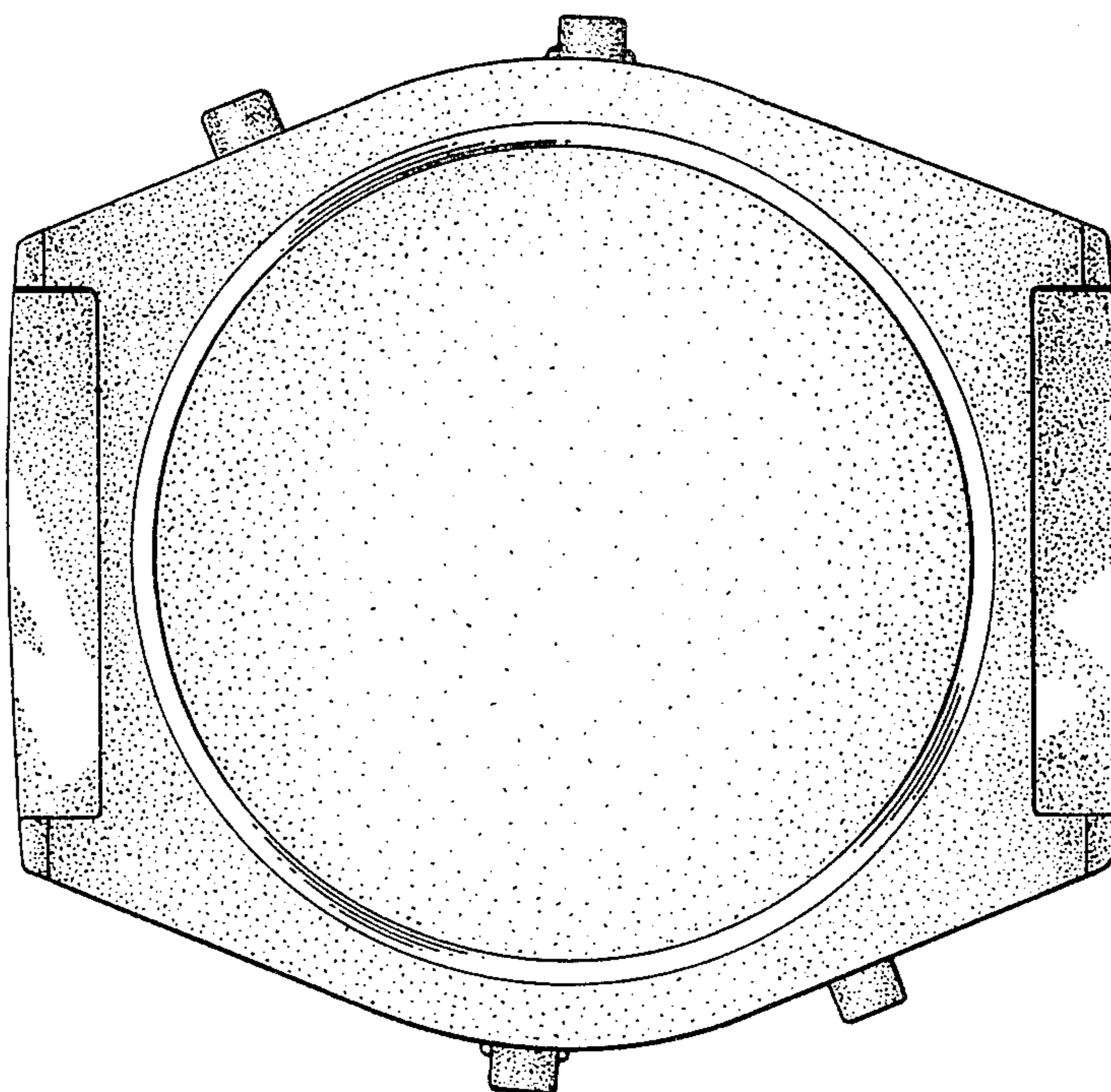


FIG. 4



FIG. 6