

[54] CASE FOR WRISTWATCH

[76] Inventor: Eric Bouille, c/o Société Anonyme
G.&E. Bouille, Monruz 17, CH-2000
Neuchâtel, Switzerland

[**] Term: 14 Years

[21] Appl. No.: 458,336

[22] Filed: Jan. 17, 1983

[30] Foreign Application Priority Data

Jul. 21, 1982 [XH] Hague 72523

[52] U.S. Cl. D10/30

[58] Field of Search D10/30-39,
D10/122-126; 368/29-30, 80, 82-84, 239-242,
276-278, 280-282, 285

[56] References Cited

U.S. PATENT DOCUMENTS

D. 111,530	9/1938	Wuisschpard	D10/38
D. 163,859	7/1951	Geoffrion	D10/38
D. 163,860	7/1951	Geoffrion	D10/38
D. 163,861	7/1951	Geoffrion	D10/38
D. 261,365	10/1981	Carre	D10/38
4,396,298	8/1983	Ripley	368/276 X

Primary Examiner—Nelson C. Holtje
Attorney, Agent, or Firm—Ladas & Parry

[57] CLAIM

The ornamental design for a case for wristwatch, as shown.

DESCRIPTION

FIG. 1 is a top and one side perspective view of a case for wristwatch showing my new design;
FIG. 2 is a bottom and opposite side perspective view thereof.

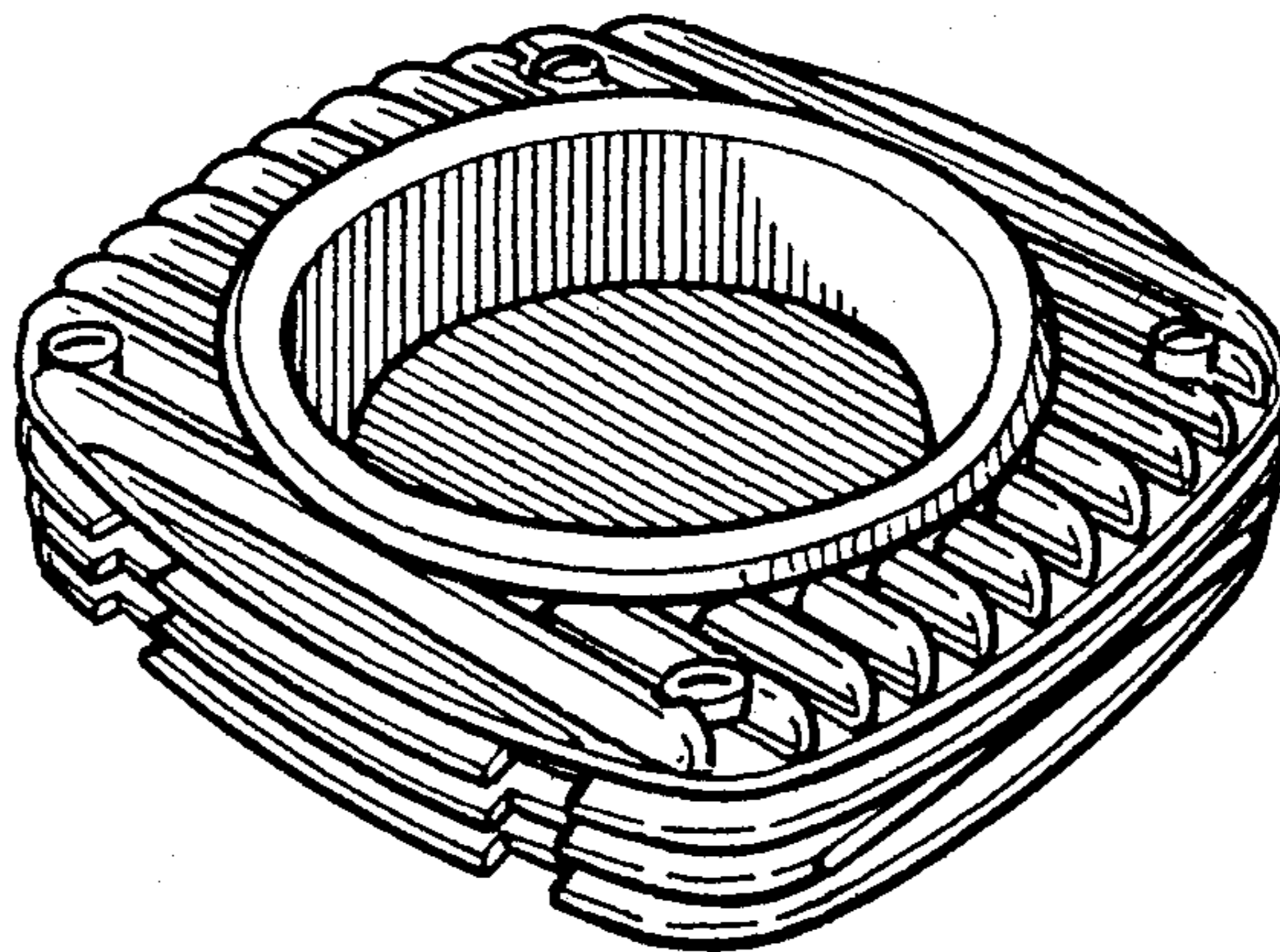


FIG. 1

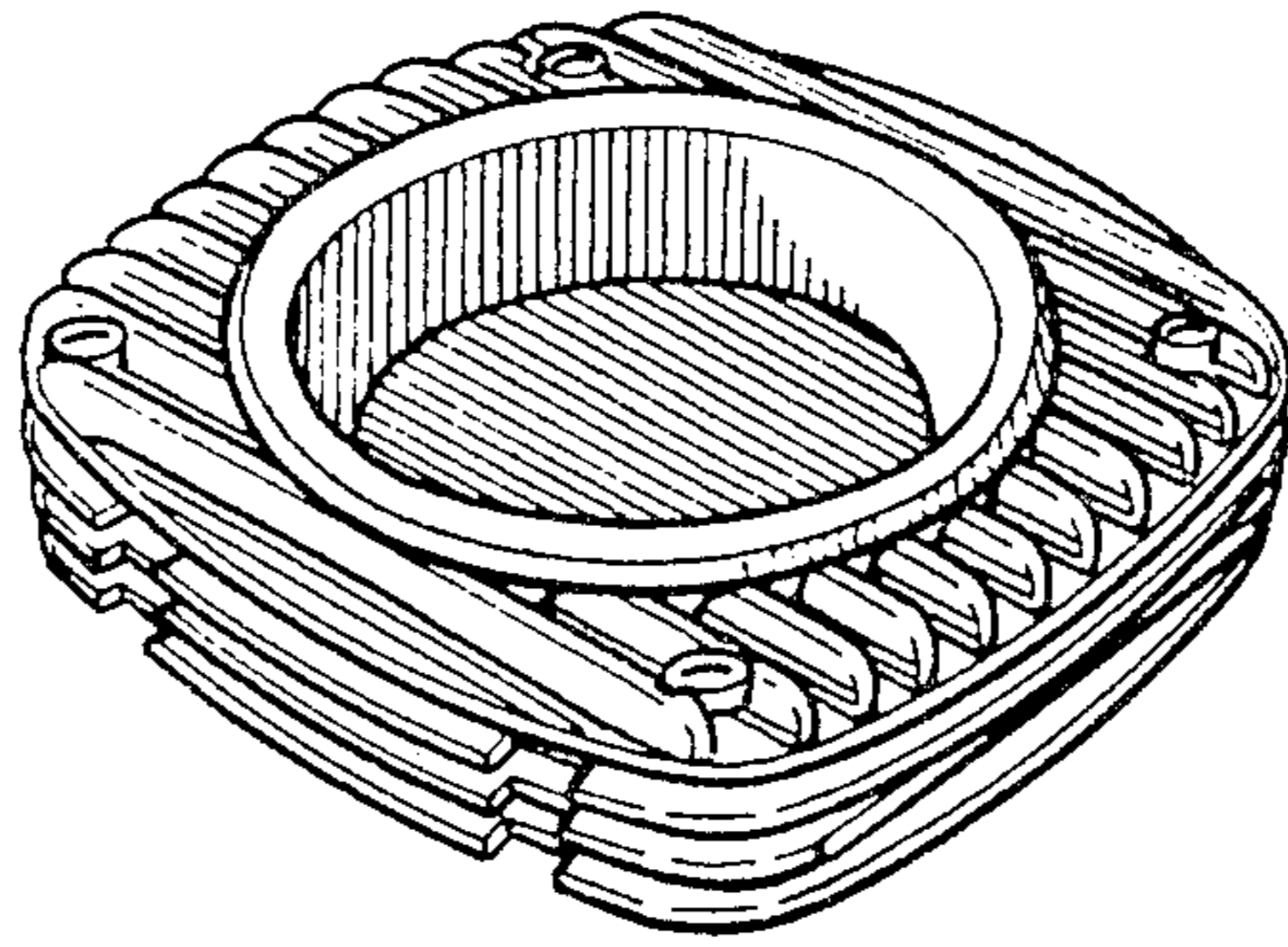


FIG. 2

