

[54] LID ASSEMBLY FOR CONTAINERS OR THE LIKE

[76] Inventor: Tord G. I. Johansson, Heimdalsgatan 35, 261 62 Glumslöv, Sweden

[\*\*] Term: 14 Years

[21] Appl. No.: 505,074

[22] Filed: Jun. 16, 1983

[30] Foreign Application Priority Data

Apr. 11, 1983 [SE] Sweden ..... 82-2999

[52] U.S. Cl. .... D9/450

[58] Field of Search ..... D9/450, 446, 449, 443; 215/237; 220/324, 315; 222/556

[56] References Cited

U.S. PATENT DOCUMENTS

- D. 188,393 7/1960 Fagan ..... D9/446 X
- D. 214,721 7/1969 Hazard ..... D9/450
- D. 217,327 4/1970 Swett ..... D9/450

- D. 247,848 5/1978 Croyle ..... D9/447
- D. 265,060 6/1982 Blank ..... D9/449 X
- 2,851,203 9/1958 Nowak ..... 222/543
- 2,874,882 2/1959 Sethne et al. .... 222/543
- 3,160,327 12/1964 Porcelli ..... 222/543
- 3,282,477 11/1966 Henchert ..... 220/375 X
- 4,002,275 1/1977 Crowle et al. .... 222/543
- 4,417,672 11/1983 Eppenbach ..... 222/90 X

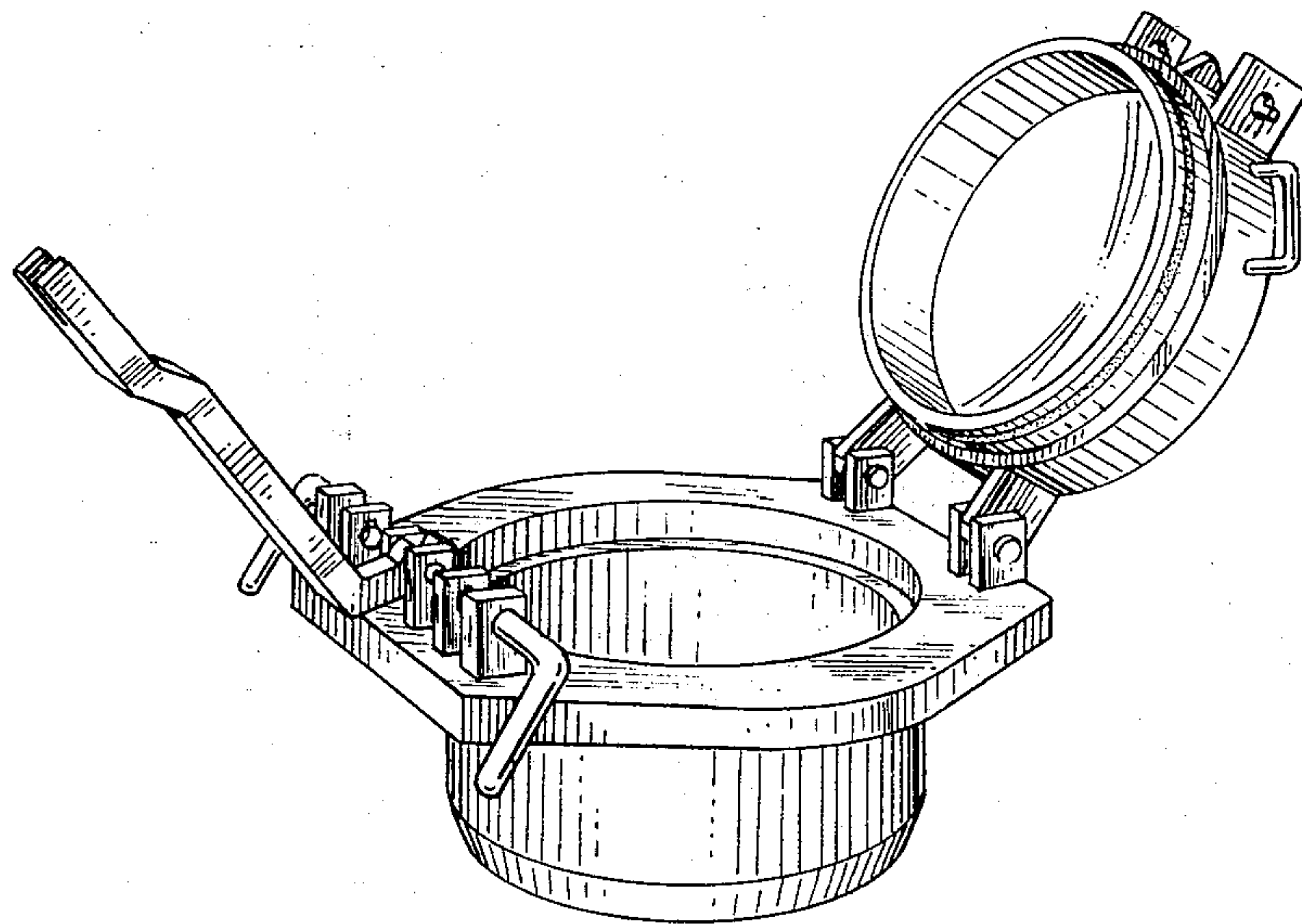
Primary Examiner—Bernard Ansher  
Assistant Examiner—Linda Titolo  
Attorney, Agent, or Firm—Frishauf, Holtz, Goodman & Woodward

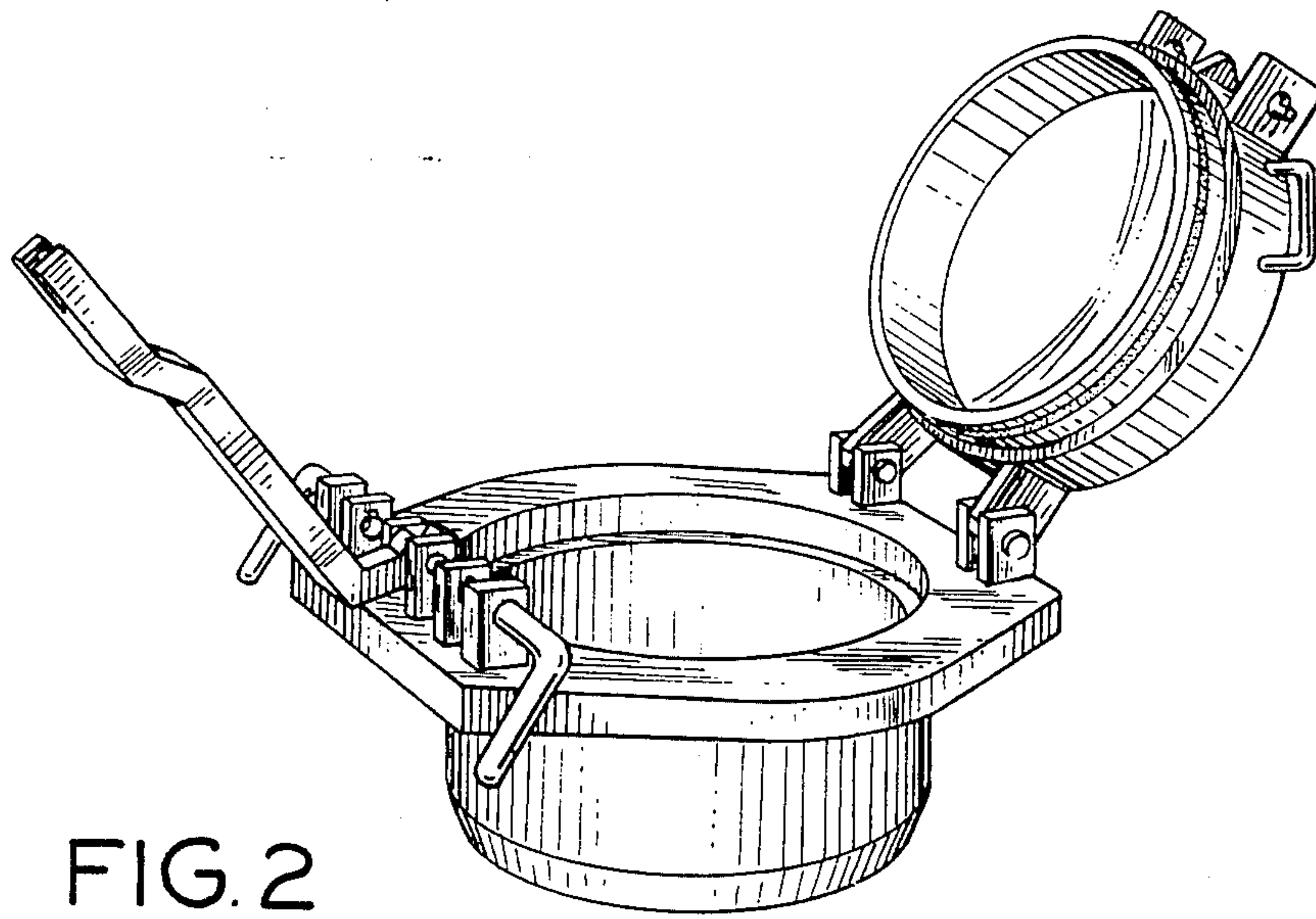
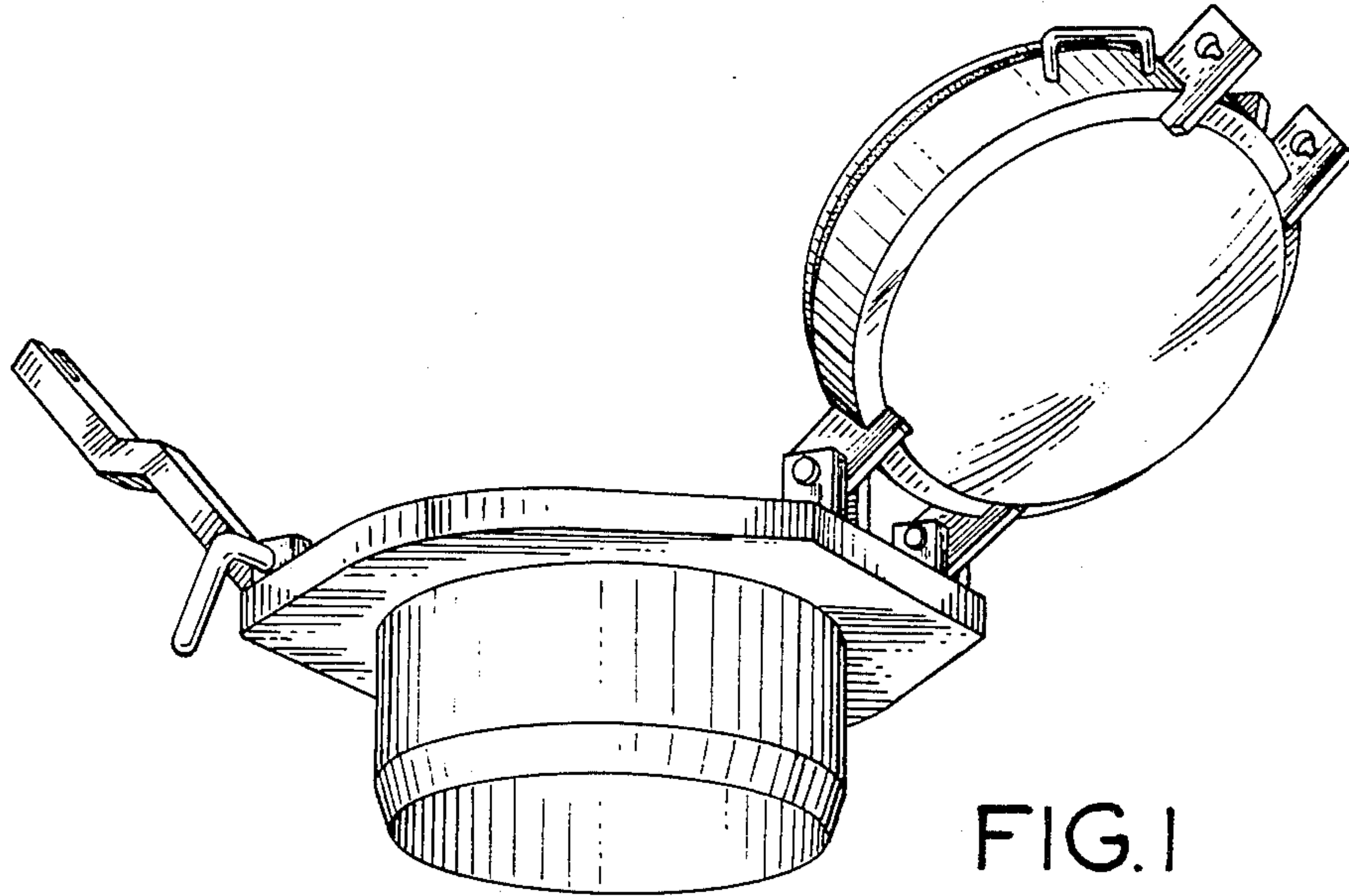
[57] CLAIM

The ornamental design for a lid assembly for containers or the like, substantially as shown.

DESCRIPTION

FIG. 1 is a bottom perspective view of a lid assembly for containers or the like showing my new design; FIG. 2 is a top perspective view thereof; and FIG. 3 is a top plan view thereof.





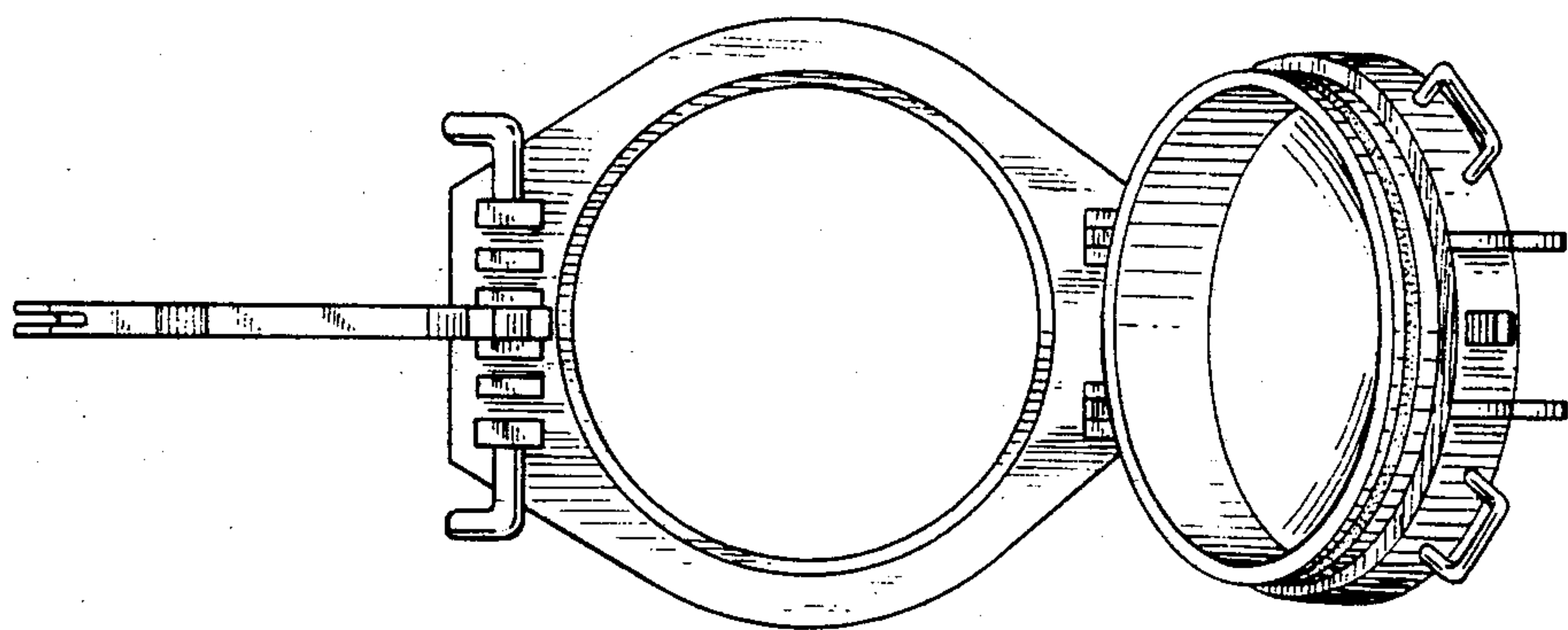


FIG. 3