

United States Patent [19]

Turner et al.

[11] Patent Number: **Des. 279,265**

[45] Date of Patent: **** Jun. 18, 1985**

[54] **END CLOSURE FOR A CONTAINER**

[75] Inventors: **Timothy L. Turner**, Crystal Lake;
Frank R. Pileggi, Bridgeview, both
of Ill.

[73] Assignee: **National Can Corporation**, Chicago,
Ill.

[**] Term: **14 Years**

[21] Appl. No.: **368,080**

[22] Filed: **Apr. 14, 1982**

[52] U.S. Cl. **D9/438**

[58] Field of Search **D9/368, 416, 438, 434;**
220/269, 270, 271, 272, 273

[56] **References Cited**

U.S. PATENT DOCUMENTS

D. 243,157 1/1977 Zundel D9/438
D. 246,157 10/1977 Kocour et al. D9/438
D. 265,463 7/1982 Hasegawa D9/438
D. 266,991 11/1982 Hasegawa et al. D9/438

Primary Examiner—Robert C. Spangler
Attorney, Agent, or Firm—Robert A. Stenzel; Ralph R.
Rath

[57] **CLAIM**

The ornamental design for an end closure for a container, substantially as shown.

DESCRIPTION

FIG. 1 is a top plan view of an end closure for a container embodying our new design; FIG. 2 is a side elevational view; FIG. 3 is a bottom plan view; and FIG. 4 is a cross-sectional view as viewed along line 4—4 of FIG. 3.

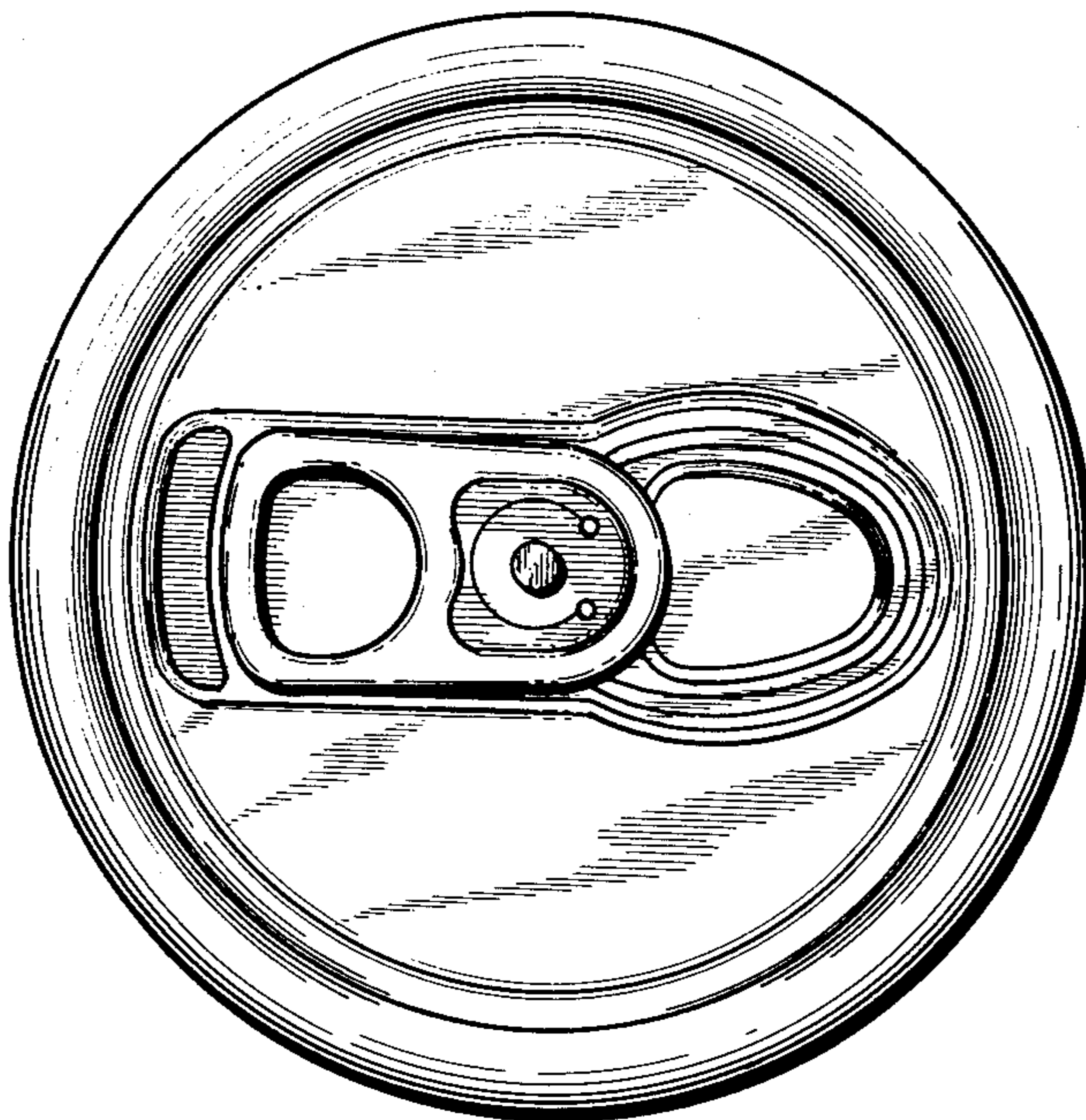


FIG. 1

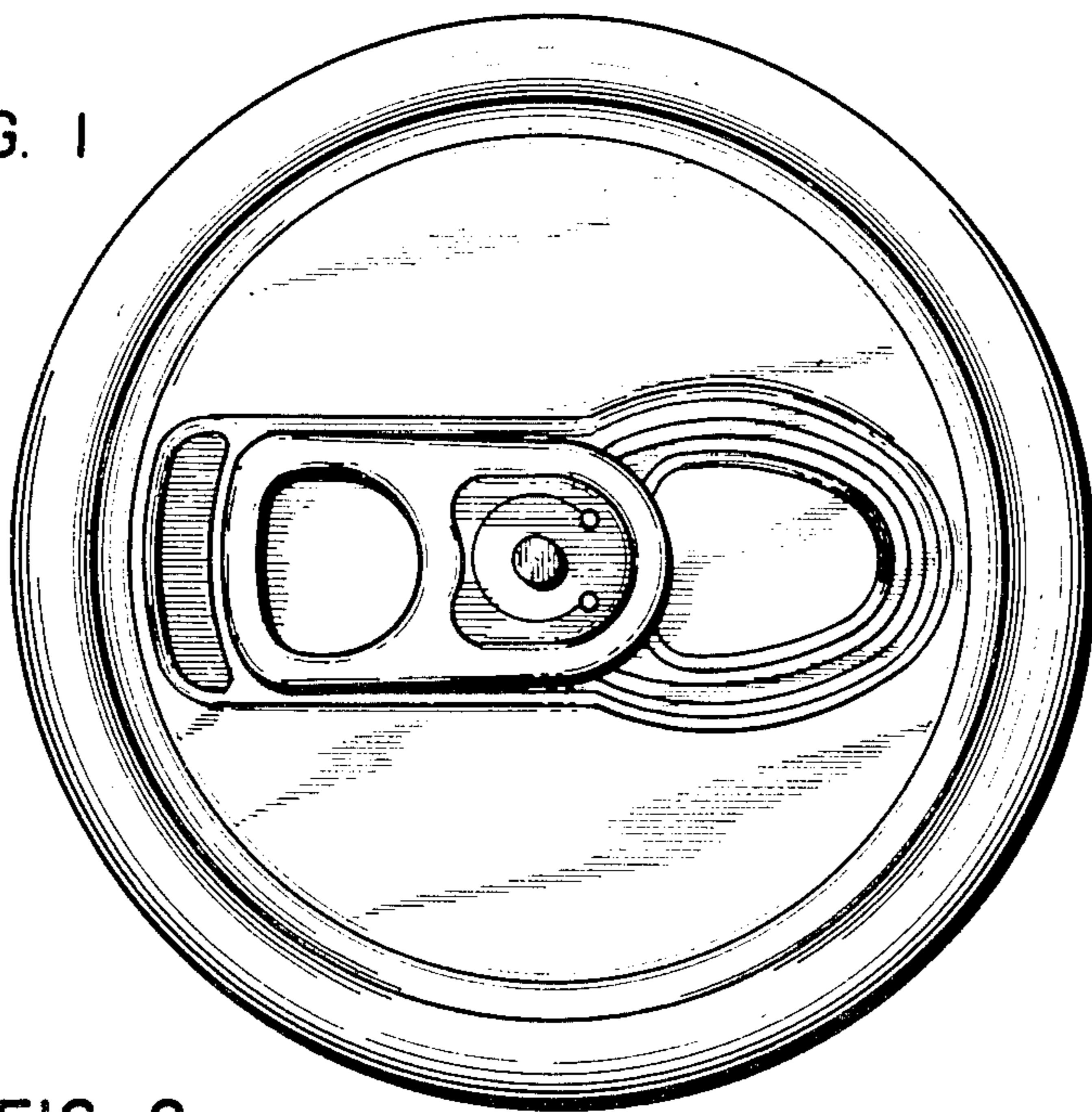


FIG. 2



FIG. 3

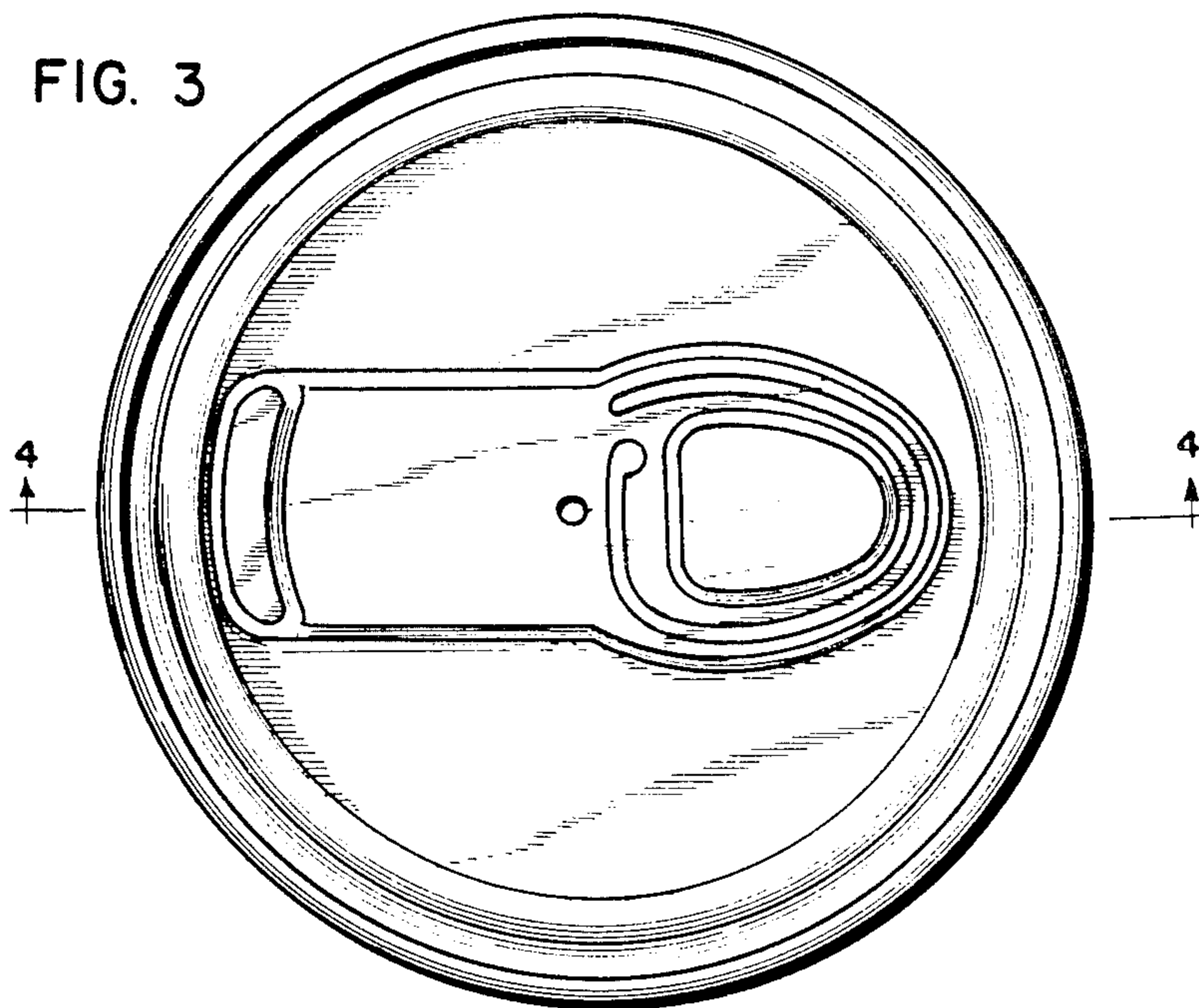


FIG. 4

