

[54] HINGE

[75] Inventor: Leo T. Roy, South Attleboro, Mass.

[73] Assignee: Craft, Inc., South Attleboro, Mass.

[**] Term: 14 Years

[21] Appl. No.: 457,503

[22] Filed: Jan. 12, 1983

[52] U.S. Cl. D8/327

[58] Field of Search D8/323, 325, 327, 328, D8/329; 16/221, 382, 384

[56] References Cited

U.S. PATENT DOCUMENTS

D. 170,529	10/1953	Hammerli	88/328
1,001,575	8/1911	Bade	16/384
1,061,033	5/1913	Baker	16/384
1,253,798	1/1918	Dunner	16/384

FOREIGN PATENT DOCUMENTS

0730365 5/1932 France 16/382

Primary Examiner—B. J. Bullock

Attorney, Agent, or Firm—Salter & Michaelson

[57] CLAIM

The ornamental design for a hinge, substantially as shown.

DESCRIPTION

FIG. 1 is a perspective view of a hinge showing my new design;

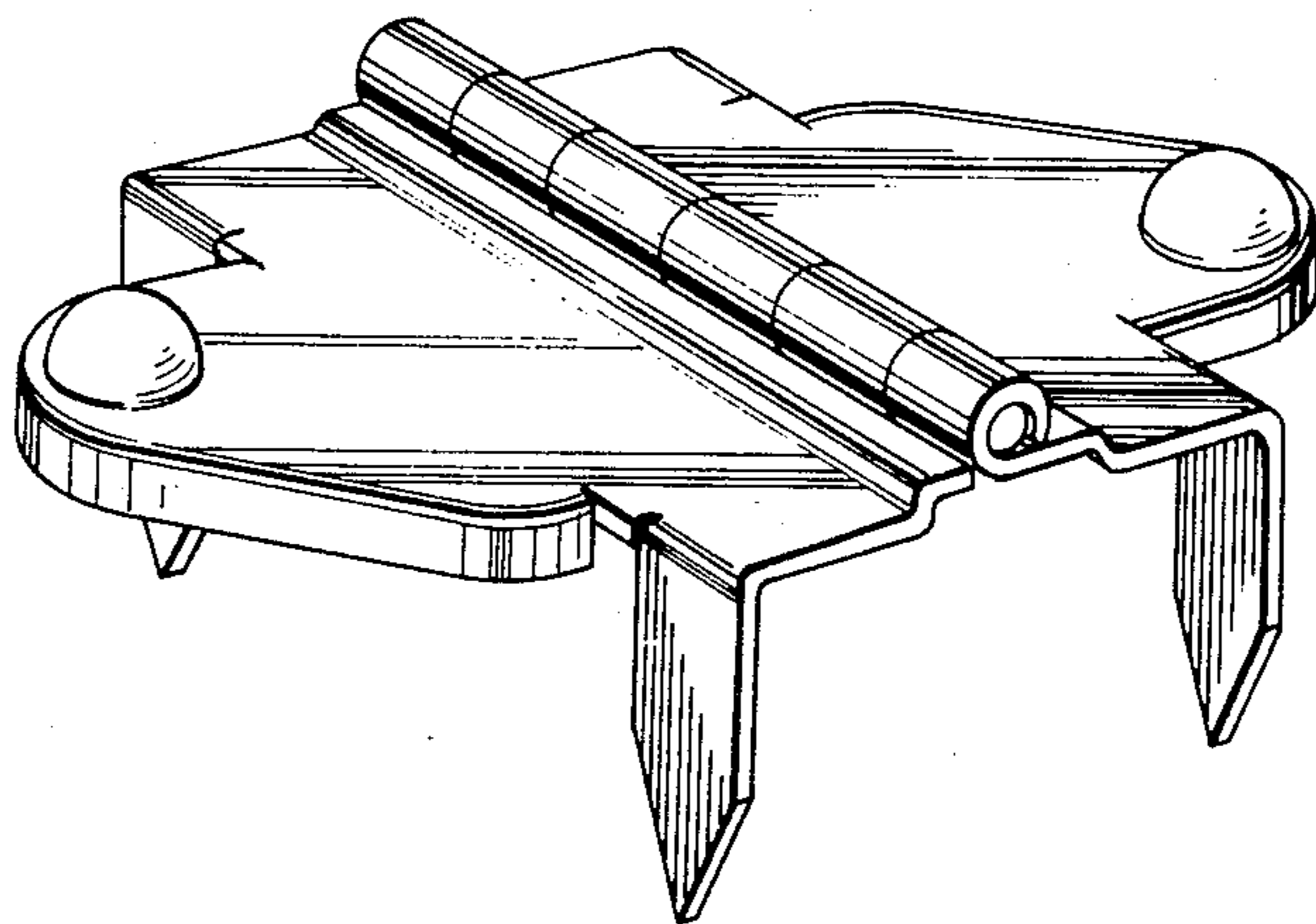
FIG. 2 is a side elevational view thereof;

FIG. 3 is a top plan view thereof;

FIG. 4 is a bottom plan view thereof; and

FIG. 5 is a front elevational view thereof.

The hinge has substantially the same appearance from either side and from front and rear.



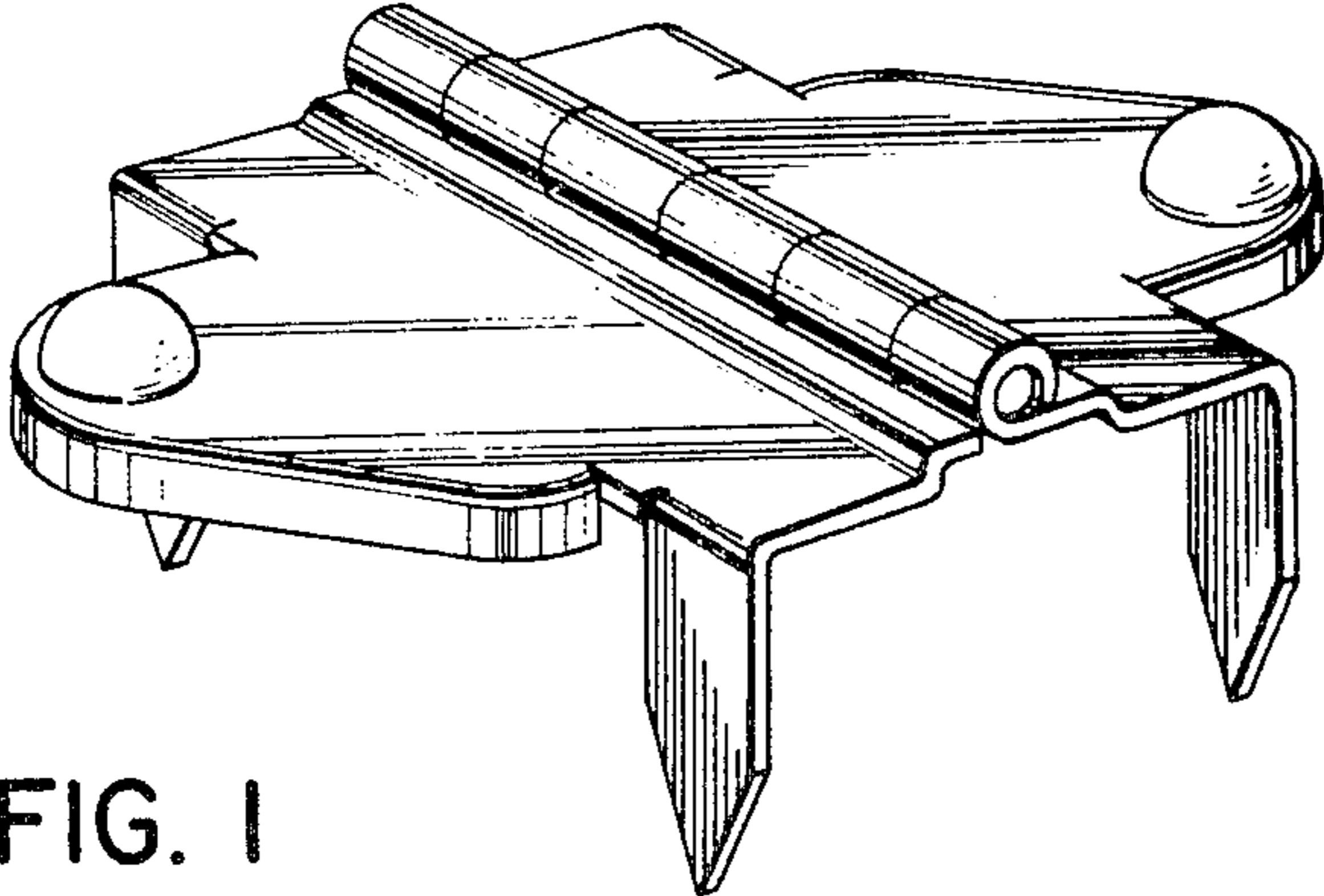


FIG. 1

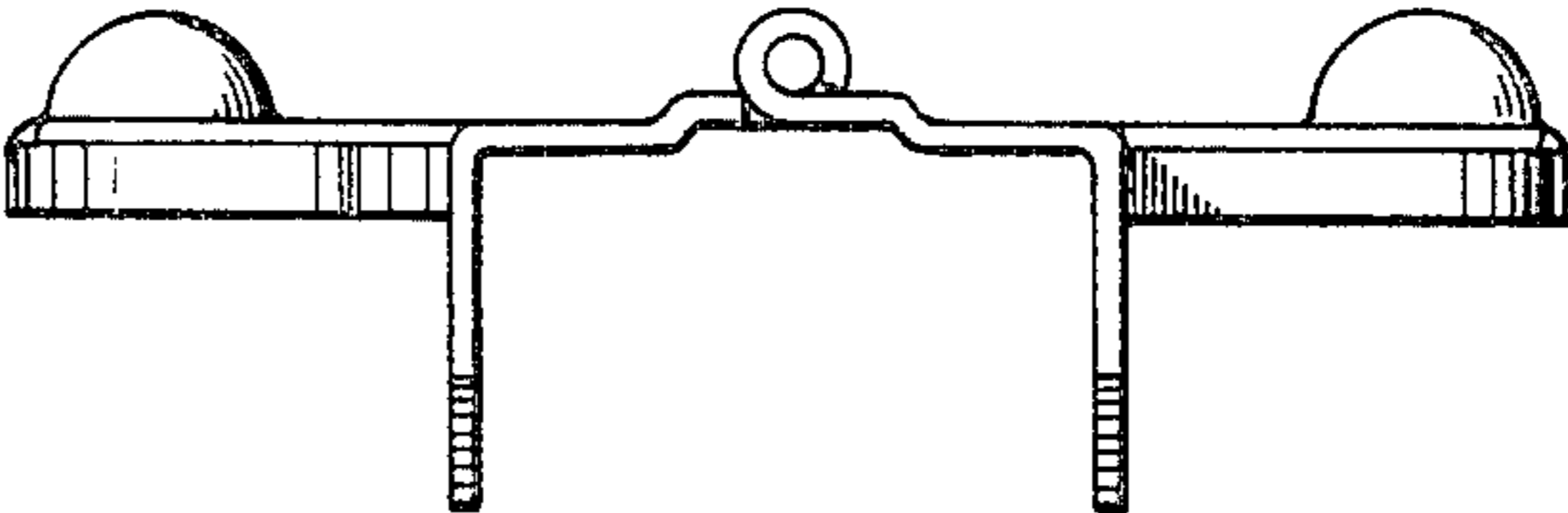


FIG. 2

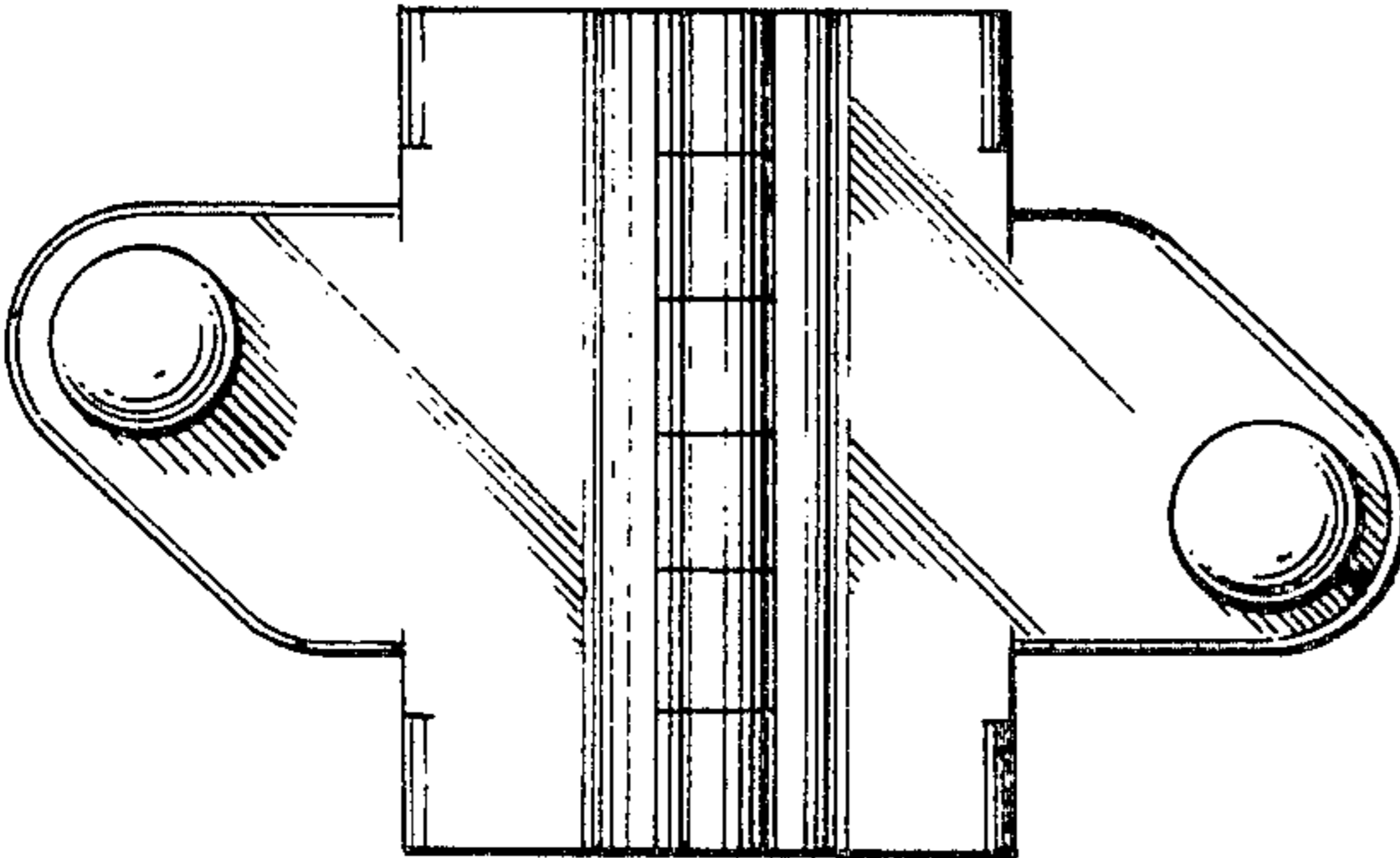


FIG. 3

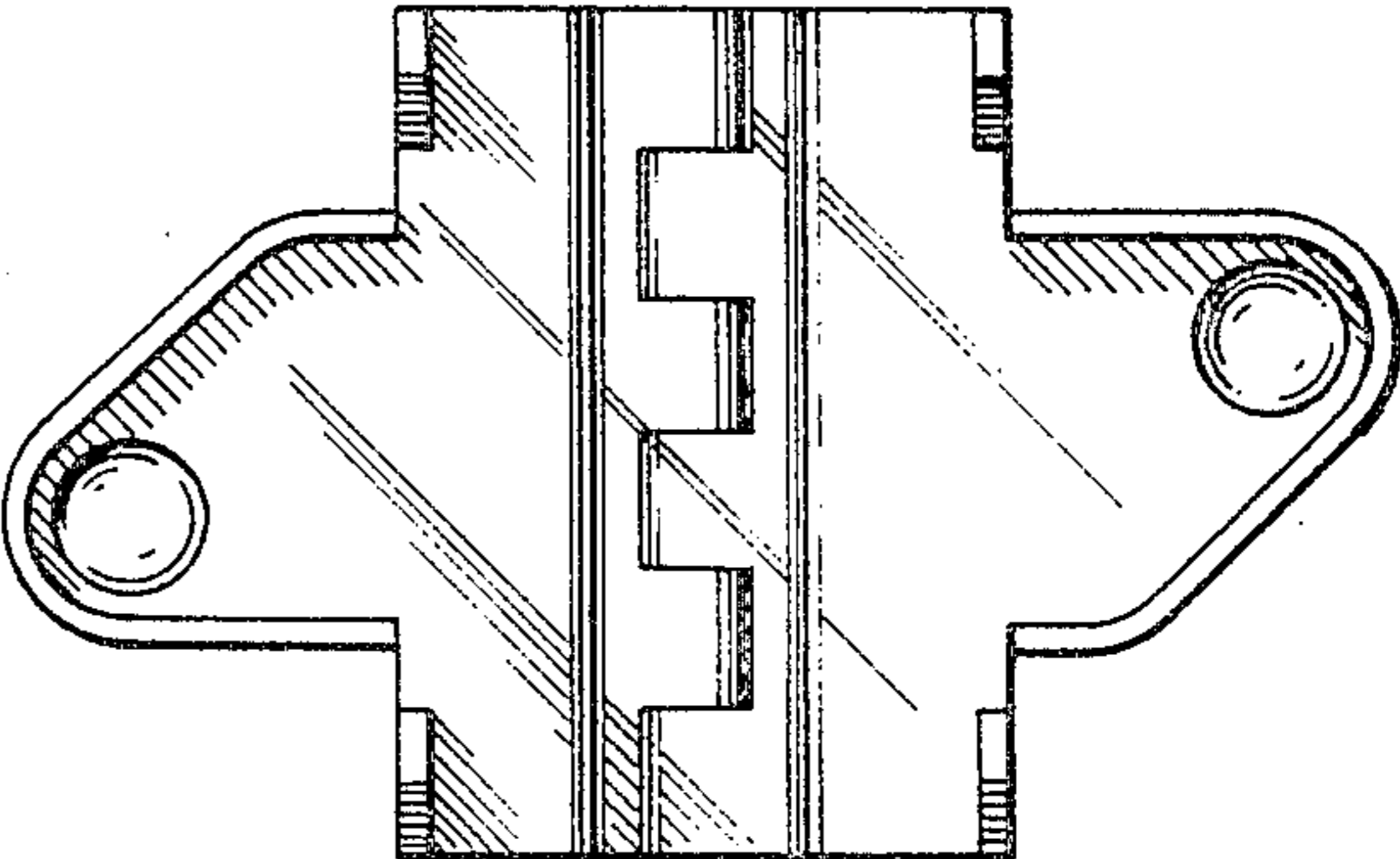


FIG. 4

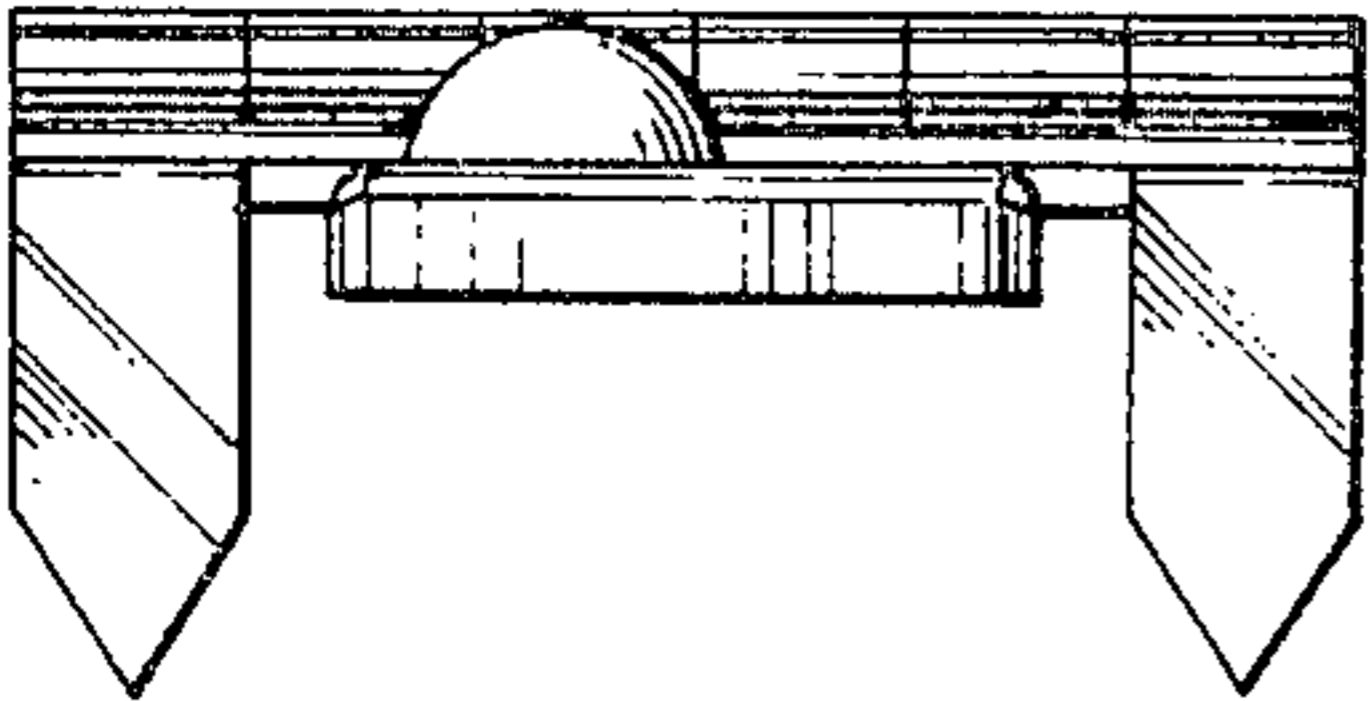


FIG. 5