

[54] **FOOD STORAGE CONTAINER OR THE LIKE**

[75] Inventors: **Robert H. C. M. Daenen**, Hekelgem, Belgium; **Rino Conti**, Stoughton, Mass.

[73] Assignee: **Dart Industries Inc.**, Northbrook, Ill.

[**] Term: **14 Years**

[21] Appl. No.: **406,850**

[22] Filed: **Aug. 10, 1982**

[52] U.S. Cl. **D7/79; D7/81**

[58] Field of Search **D9/418, 425, 431, 432; D7/76, 78, 79, 81, 16, 18, 19, 20**

[56] **References Cited**

U.S. PATENT DOCUMENTS

D. 52,562	10/1918	Dickmeyer	D9/418
D. 92,697	7/1934	Bicks	D9/408
D. 112,656	12/1938	Hirschland	D7/79
D. 207,175	3/1967	Brefka	D7/79
D. 211,682	7/1968	Eicholtz et al.	D9/425
D. 238,137	12/1975	Swett	D7/79
D. 250,870	1/1979	Stahel	D7/76
D. 257,107	9/1980	Daenen et al.	D7/1
2,575,770	11/1951	Roop	D7/79 X
2,606,586	8/1952	Hill	D7/76 X
4,293,079	10/1981	Lytle	220/306

OTHER PUBLICATIONS

Lustro Ware 65 Cat., #605, p. 10, top panel, 4 Food Containers Shown, Same Cover Fits All.
Tupperware Catalog Dated Feb., 1982; p. 4-A35; p.

5-A65, A70, A75 & A85; p. 20-K57 & K60; p. 13-G35; p. 15-H55 & H60; p. 26-P70 & P75.

Buchsteiner Brochure Dated Jul., 1979; Products Art. Nr. 3320 And 3322.

Sarvis Brochure (Date Unknown).

Copco Catalog (1982) pp. 6 And 7-Food Savers.

Primary Examiner—Winifred E. Herrmann

Attorney, Agent, or Firm—John A. Doninger

[57] **CLAIM**

The ornamental design for a food storage container or the like, substantially as shown and described.

DESCRIPTION

FIG. 1 is a top perspective view of a food storage container or the like showing our new design;

FIGS. 2-4 are top perspective views of modifications of the food storage container of FIG. 1;

FIG. 5 is an end elevational view of FIG. 1; the end opposite being identical thereto;

FIGS. 6-8 are end elevational views of FIGS. 2-4 respectively, the opposite ends being identical thereto;

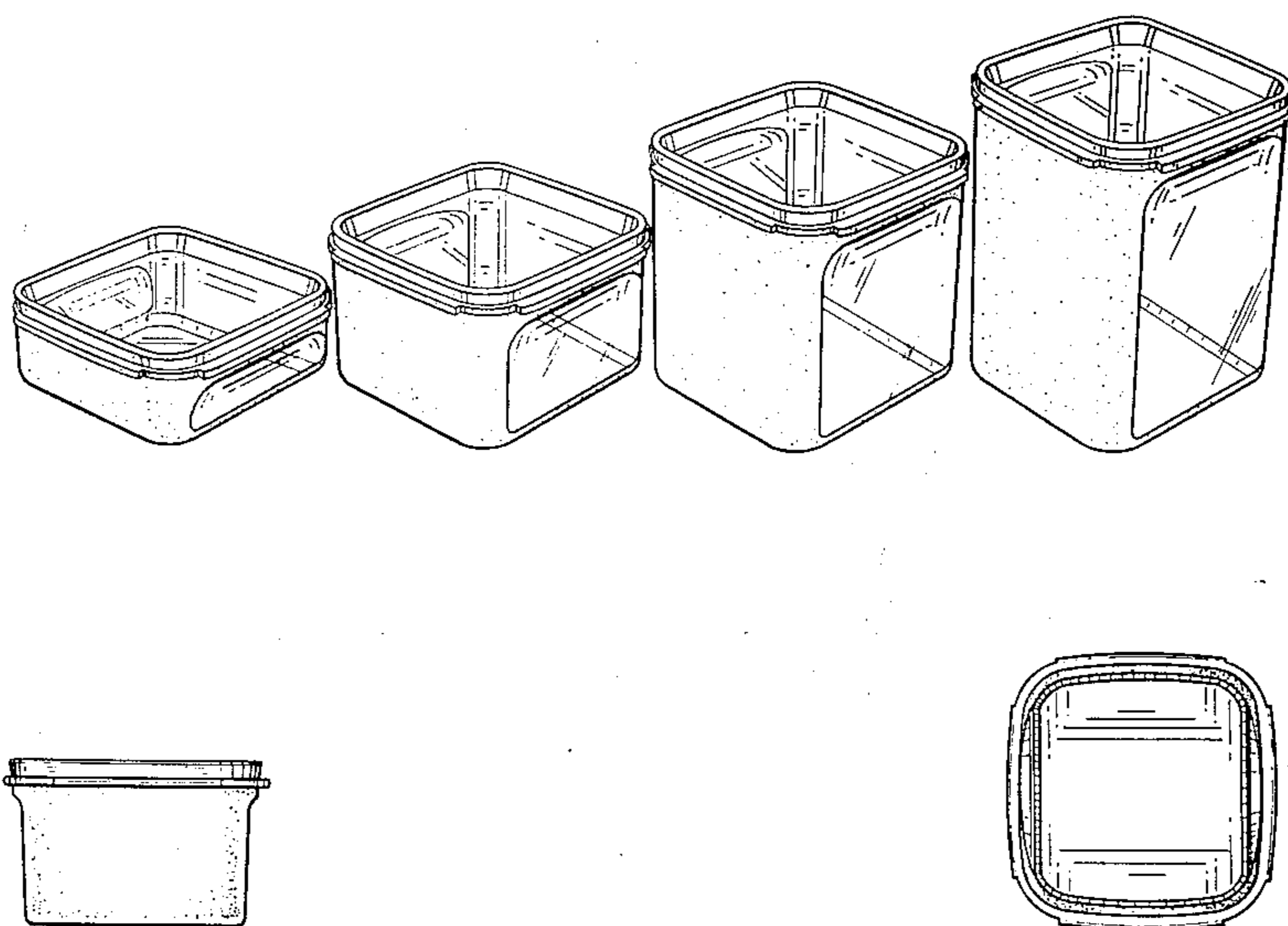
FIG. 9 is a side elevational view of FIG. 1; the side opposite being identical thereto;

FIGS. 10-12 are side elevational views of FIGS. 2-4 respectively, the sides opposite being identical thereto;

FIG. 13 is a top plan view of FIG. 1, it being understood that the size and proportions of the top plan of FIGS. 2-4 are identical hereto; and

FIG. 14 is a bottom plan view of FIG. 1, it being understood that the size and proportions of the bottom plan of FIGS. 2-4 are identical hereto.

The stippled shading on the design represents a frosted (opaque or translucent) material and the end walls thereof are shaded to represent a semi-transparent material.



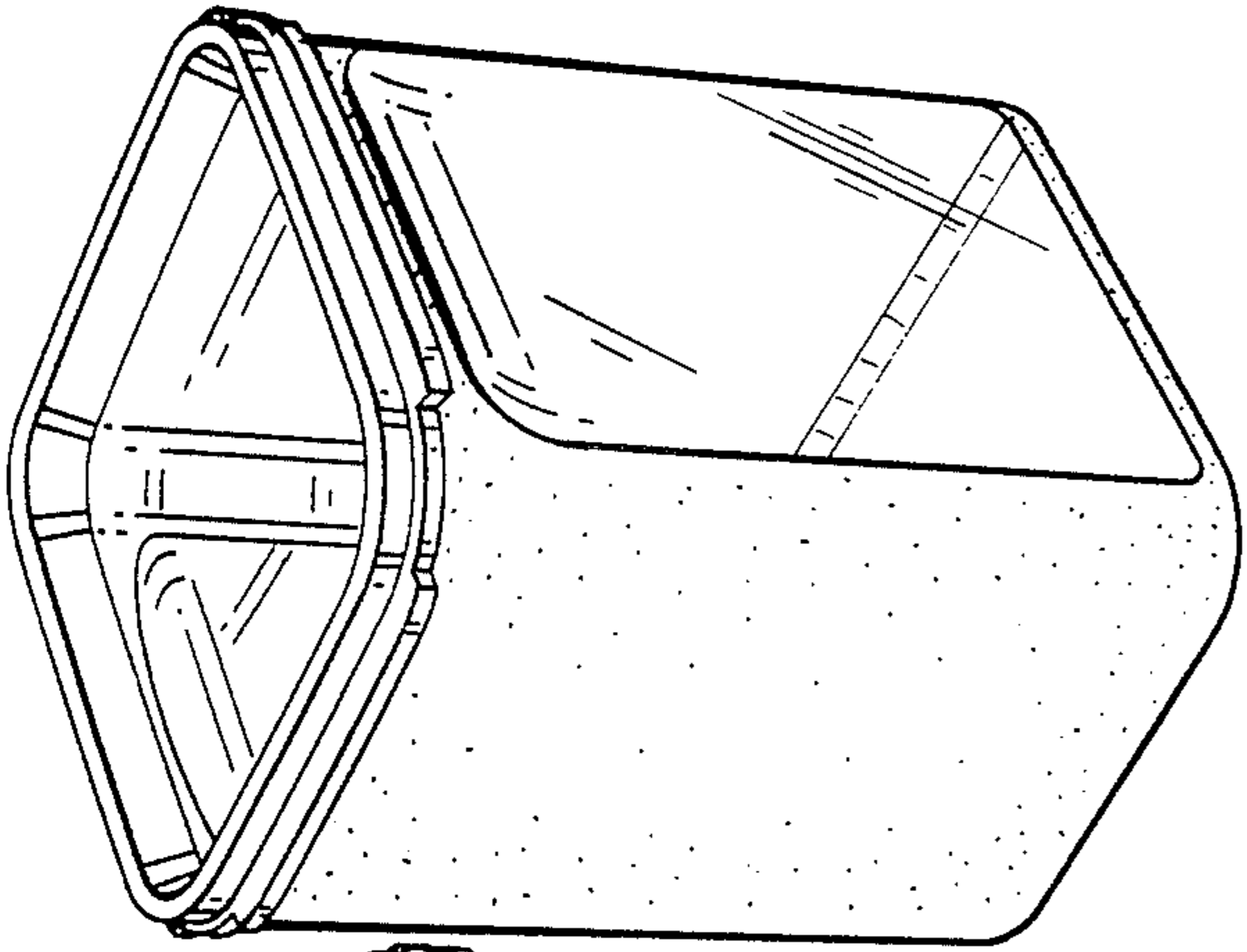


FIG. 1

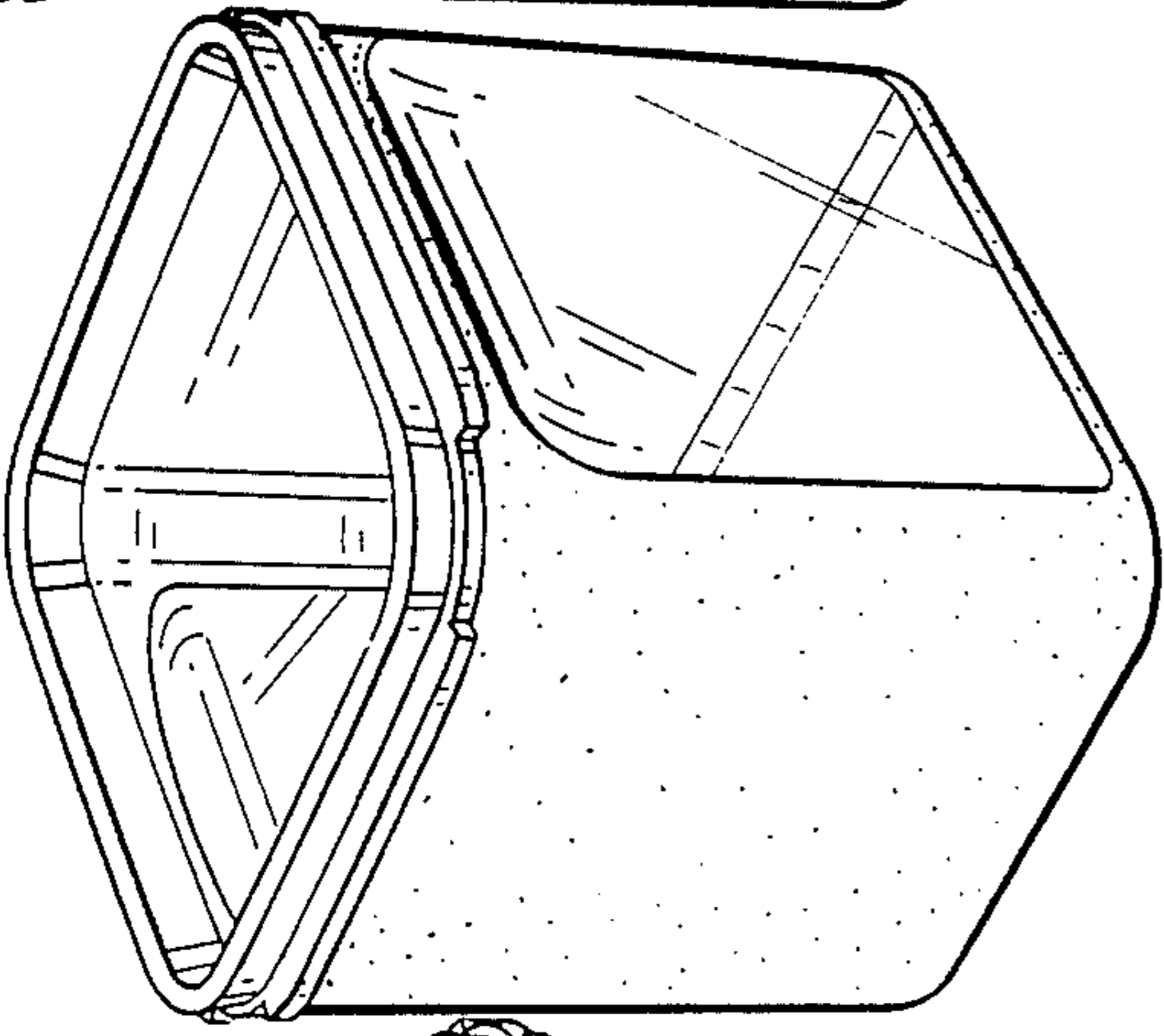


FIG. 2

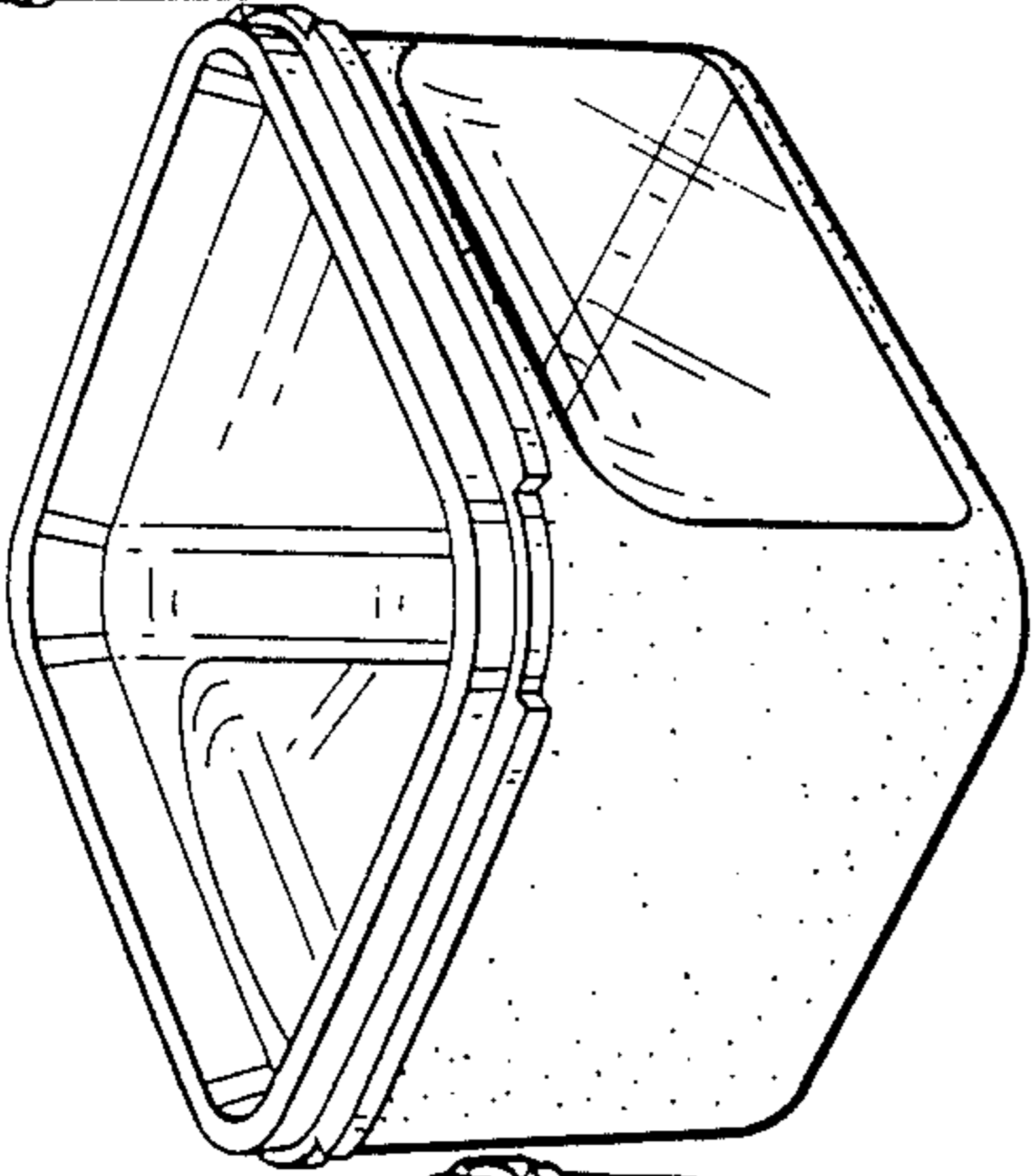


FIG. 3

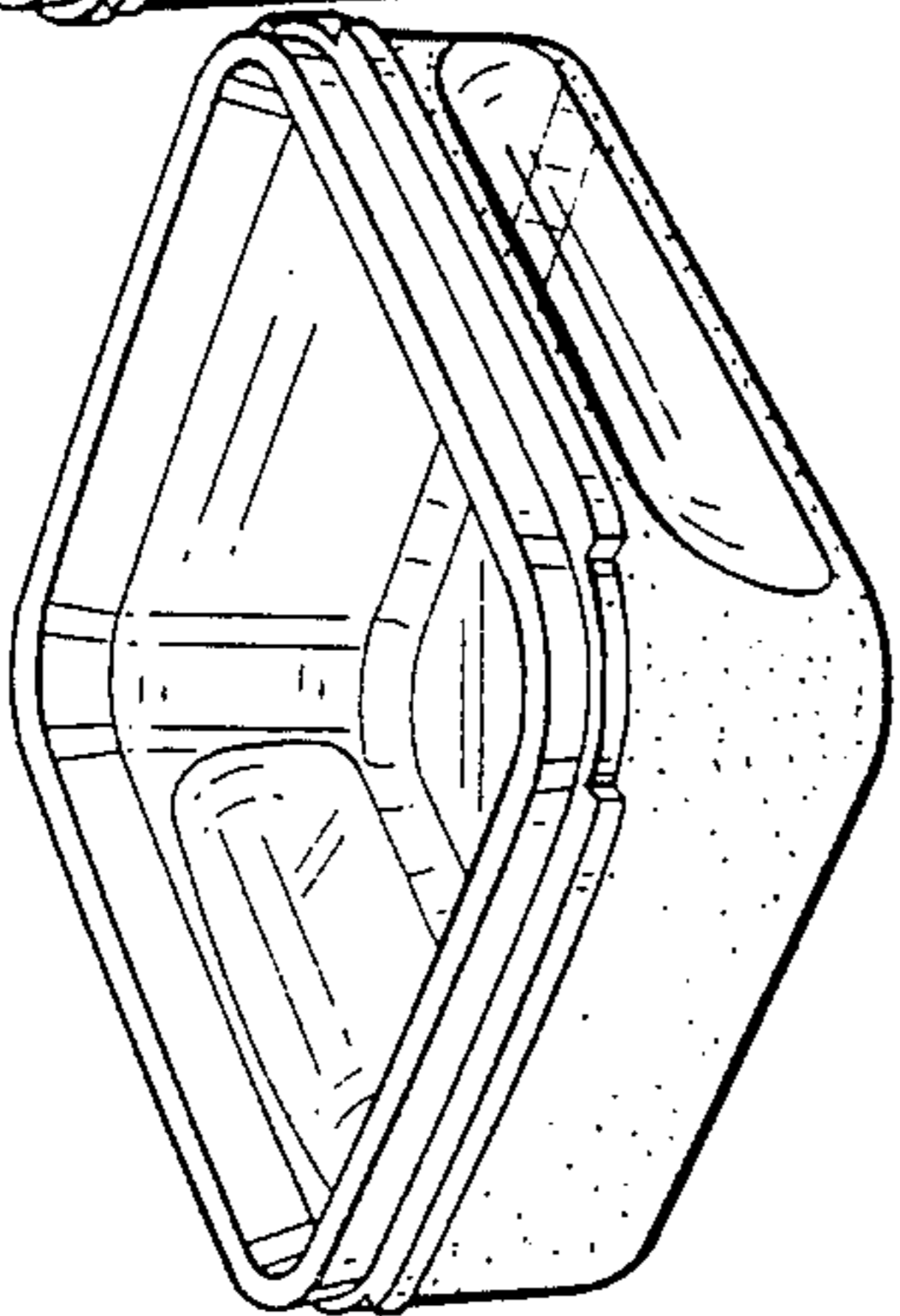


FIG. 4

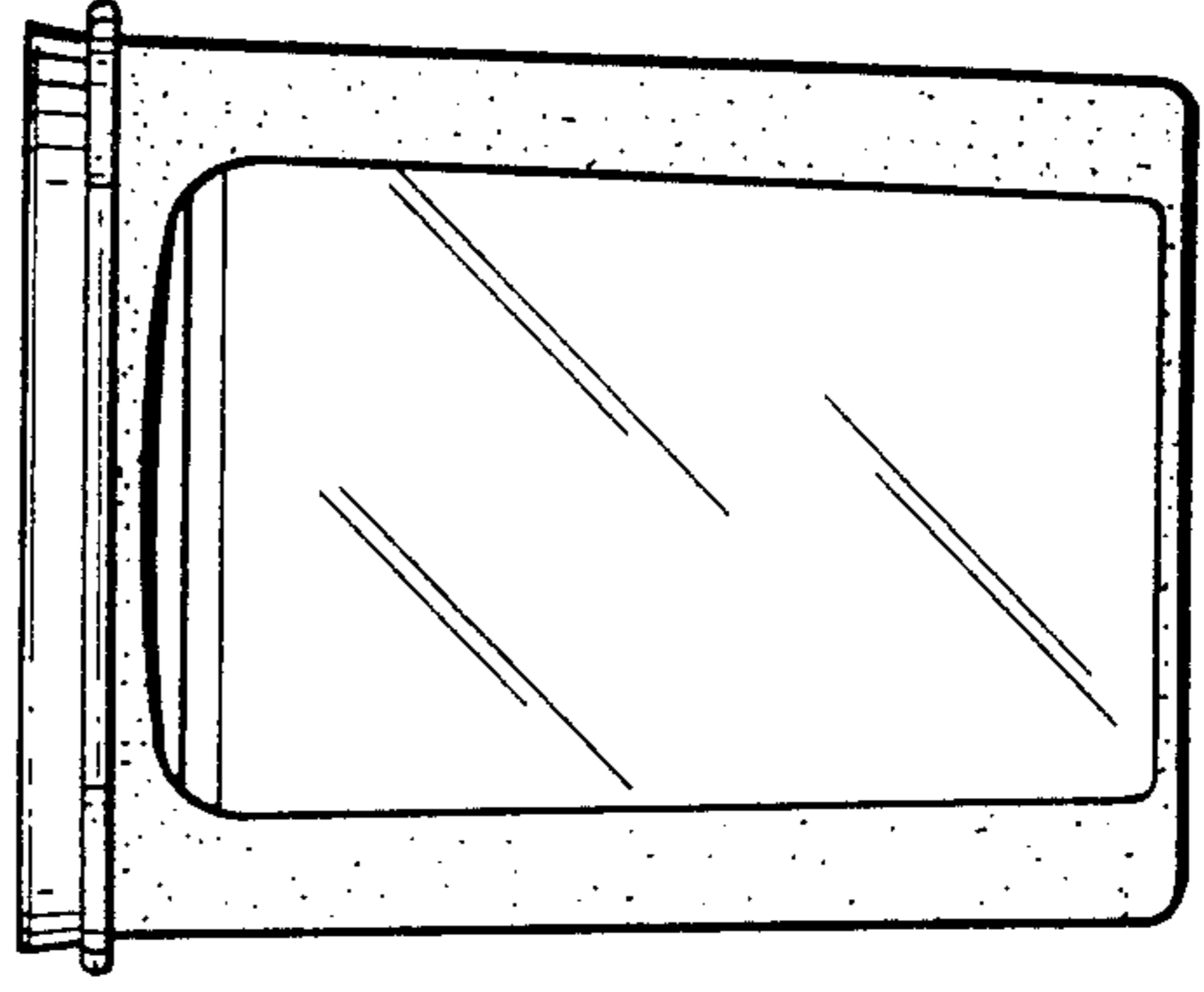


FIG. 5

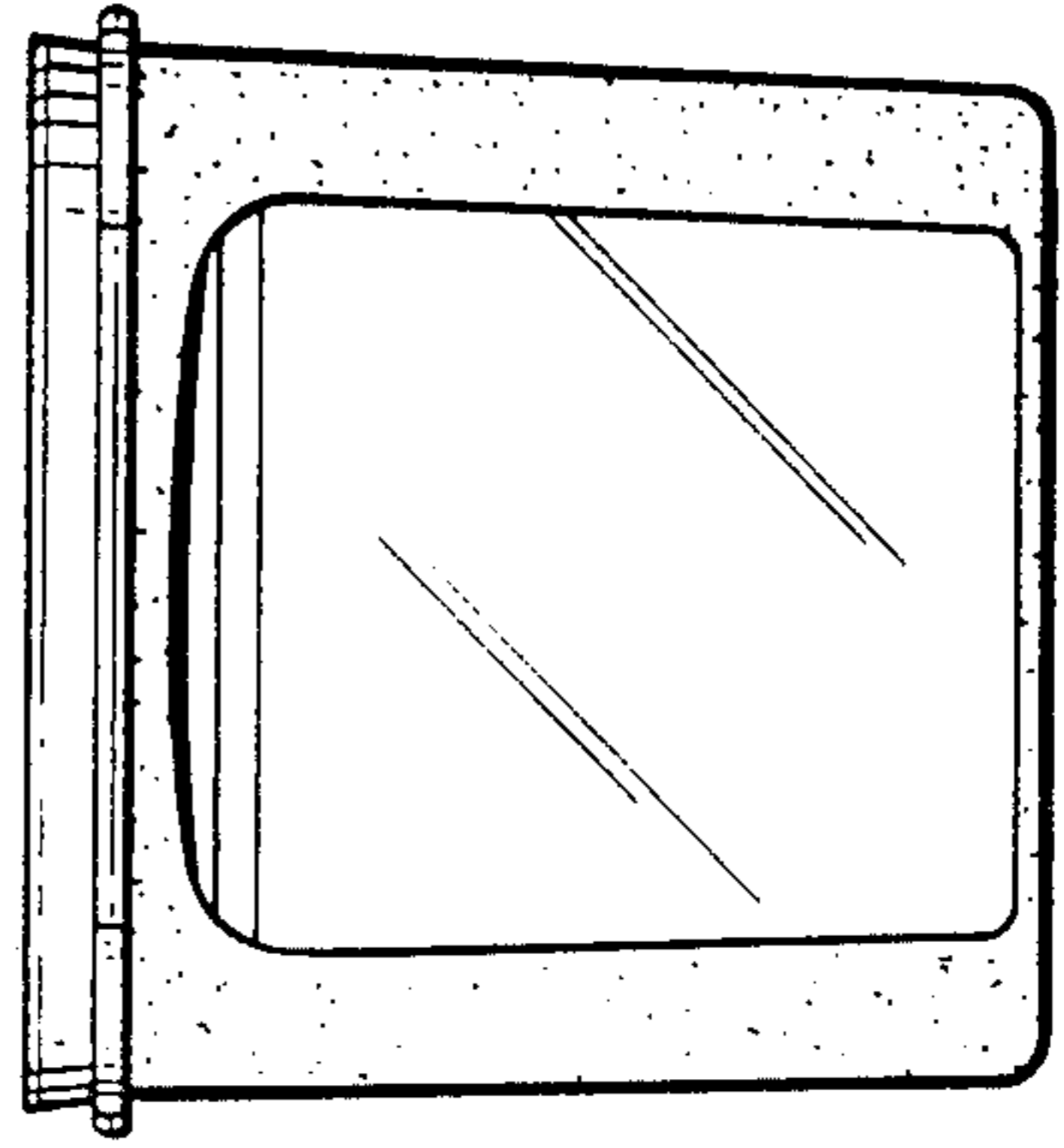


FIG. 6

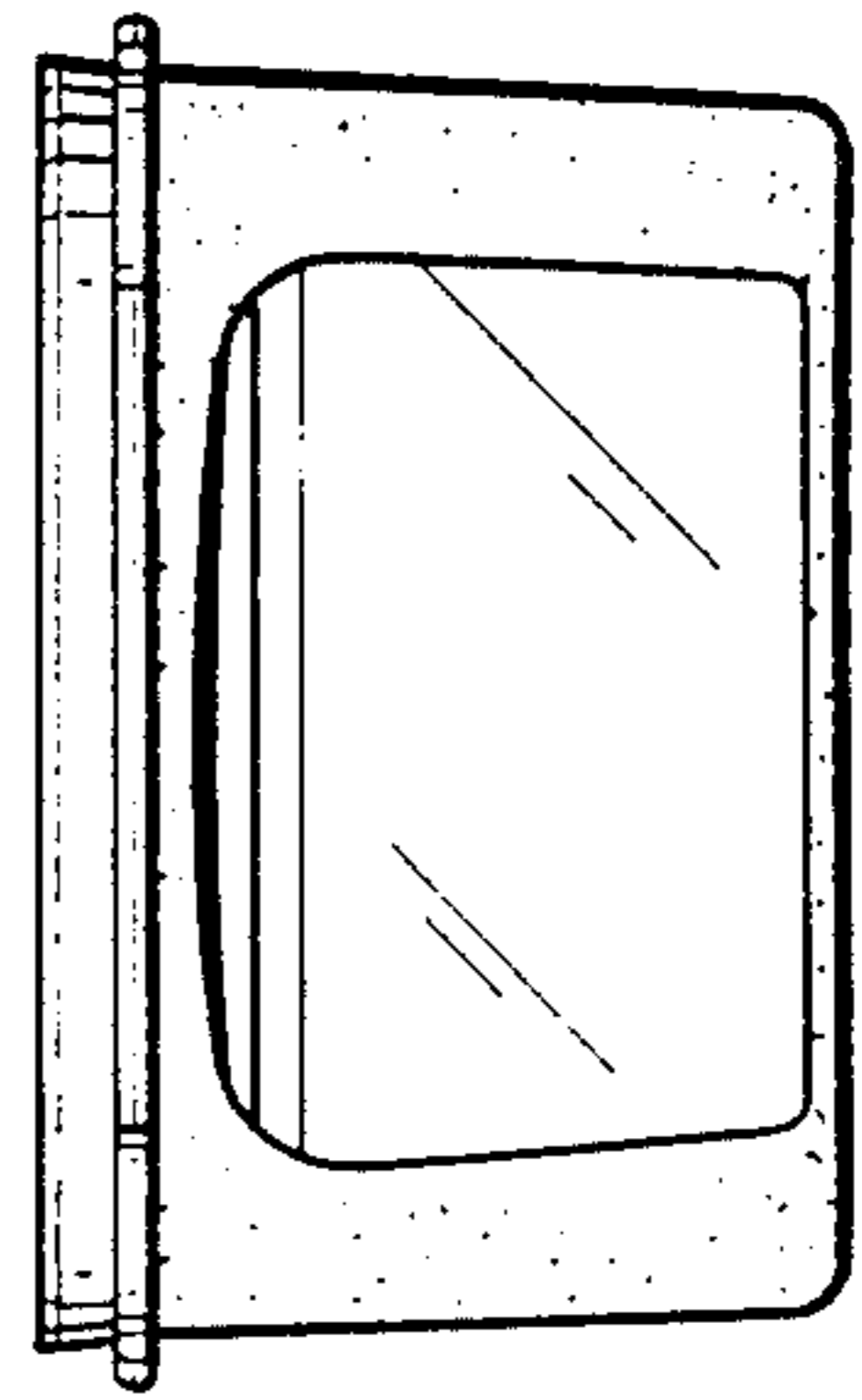


FIG. 7



FIG. 8



FIG. 9

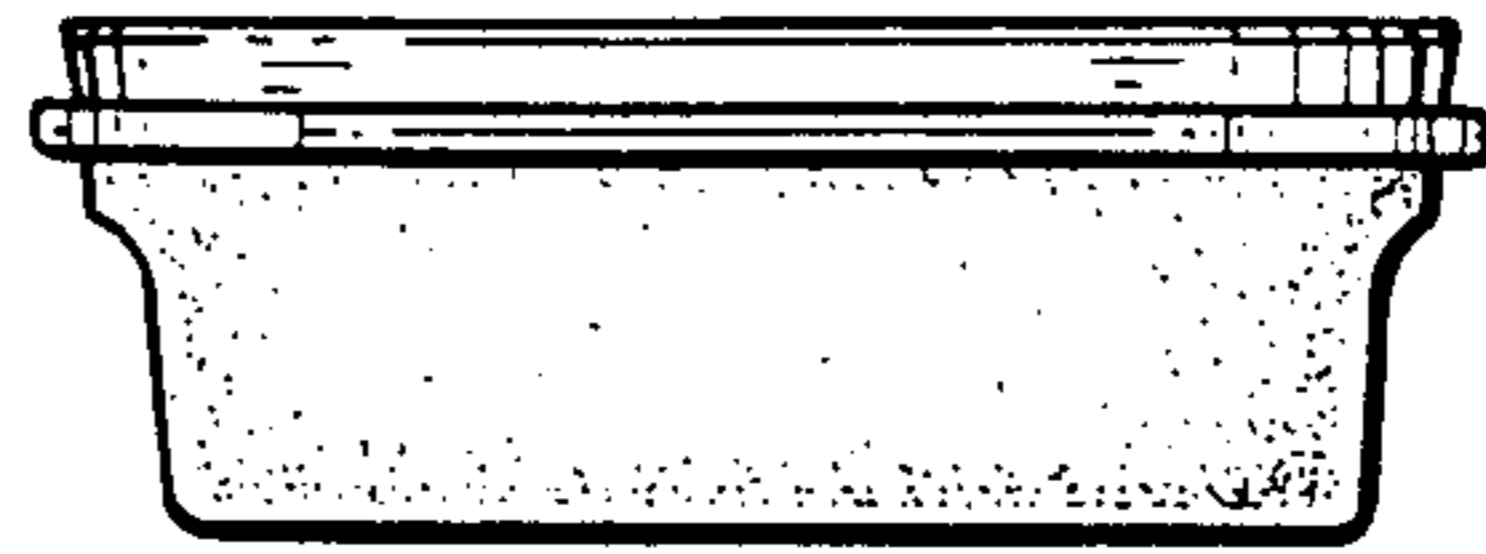


FIG. 10

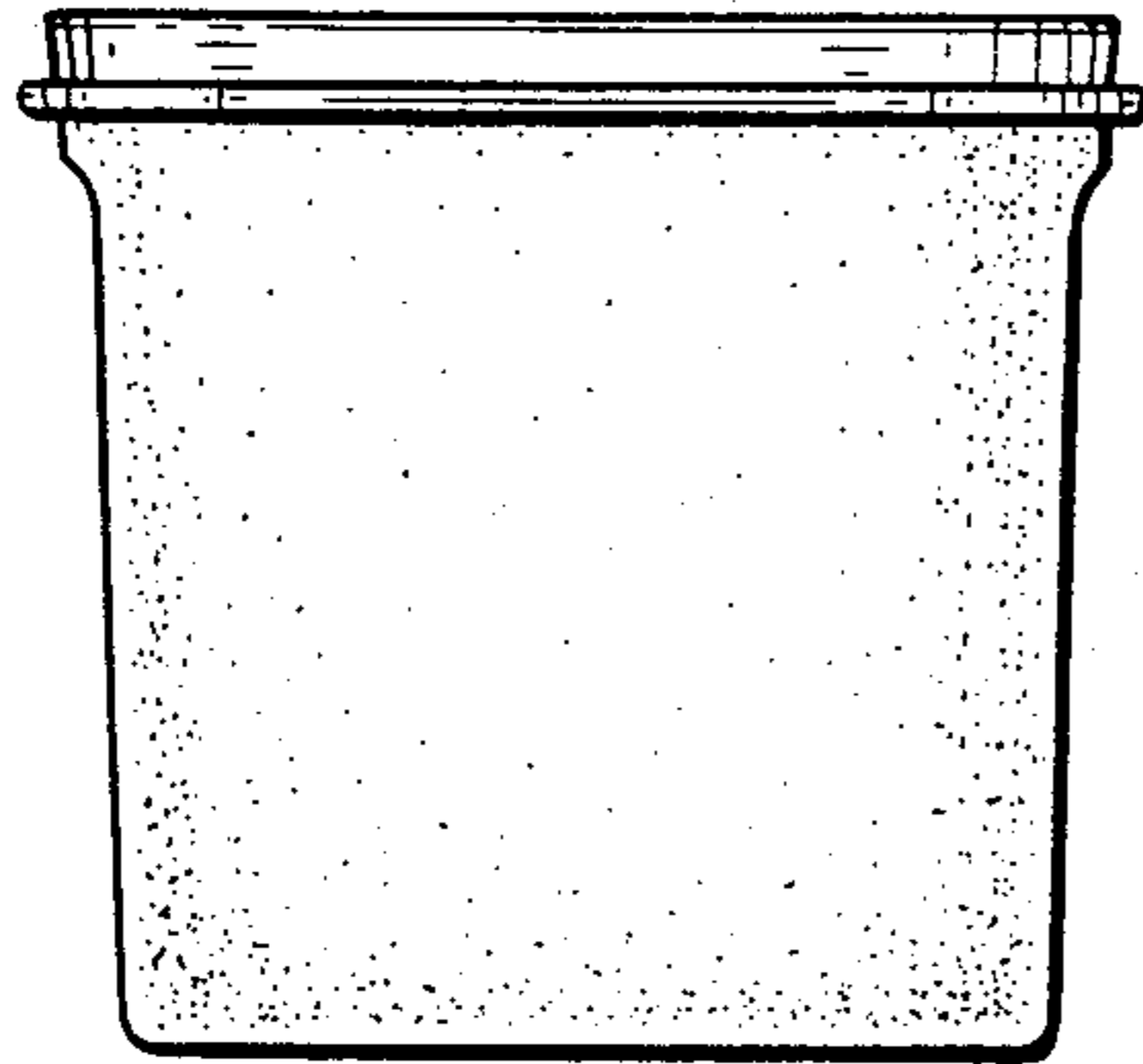


FIG. 11

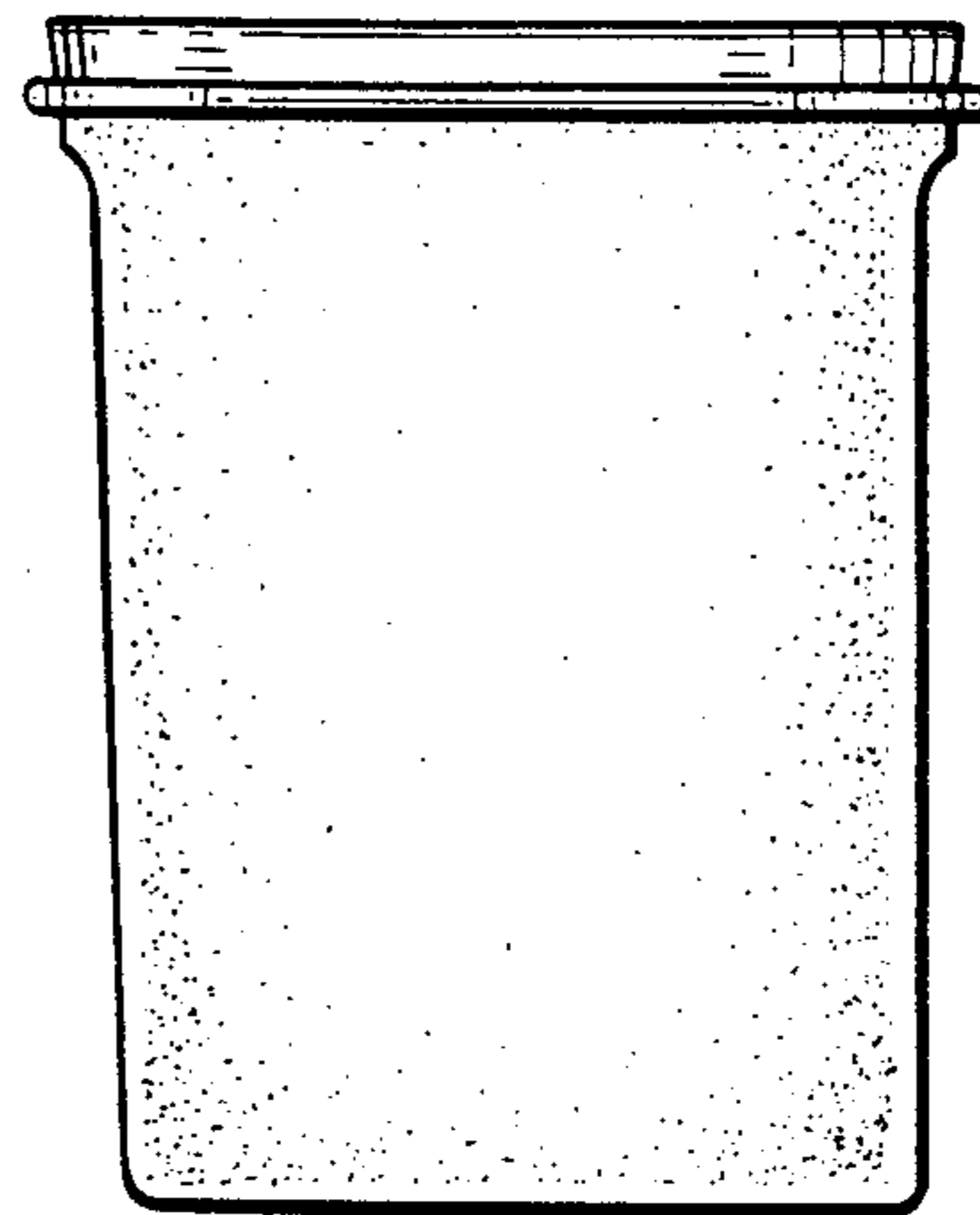


FIG. 12

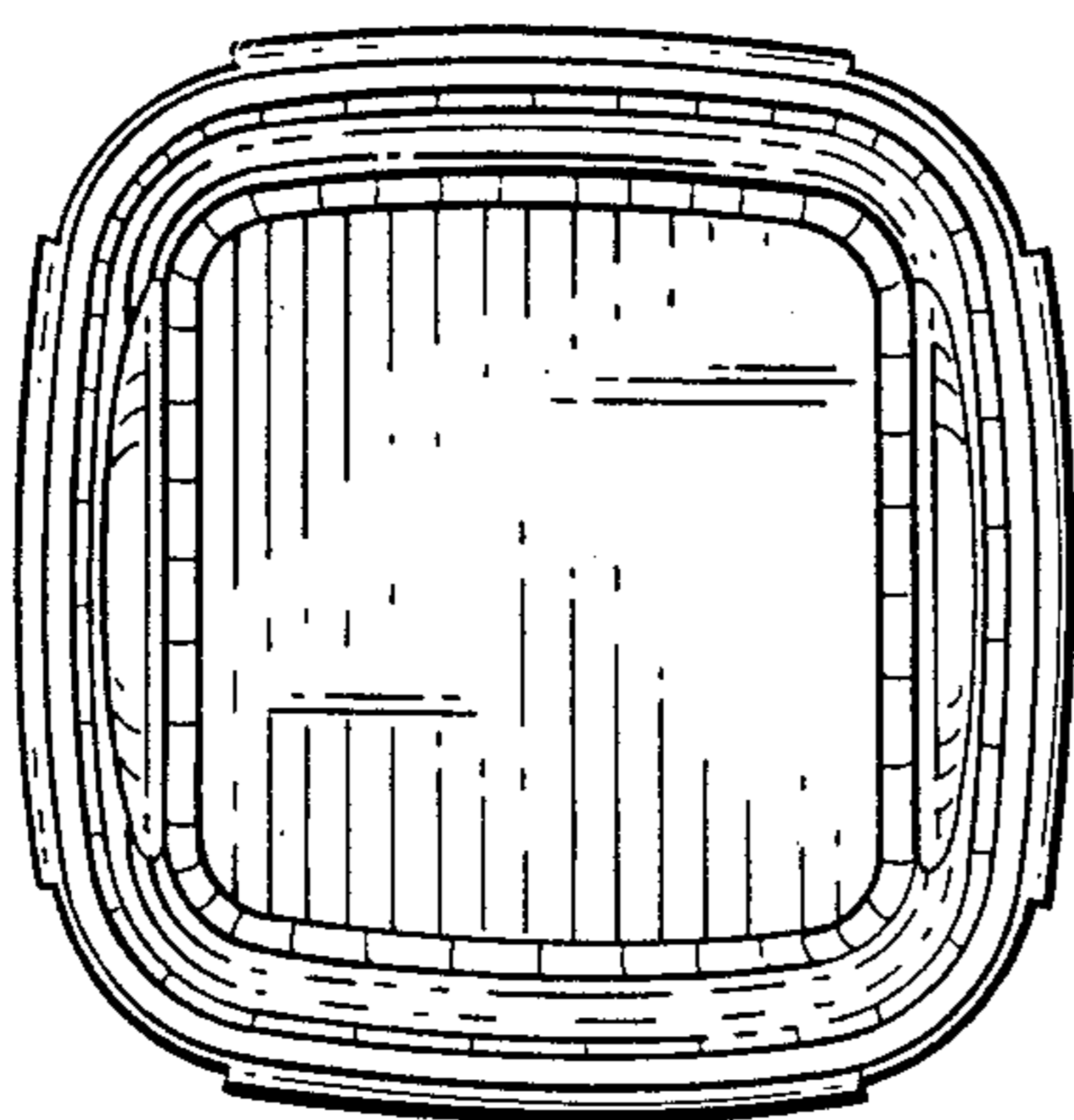


FIG. 13

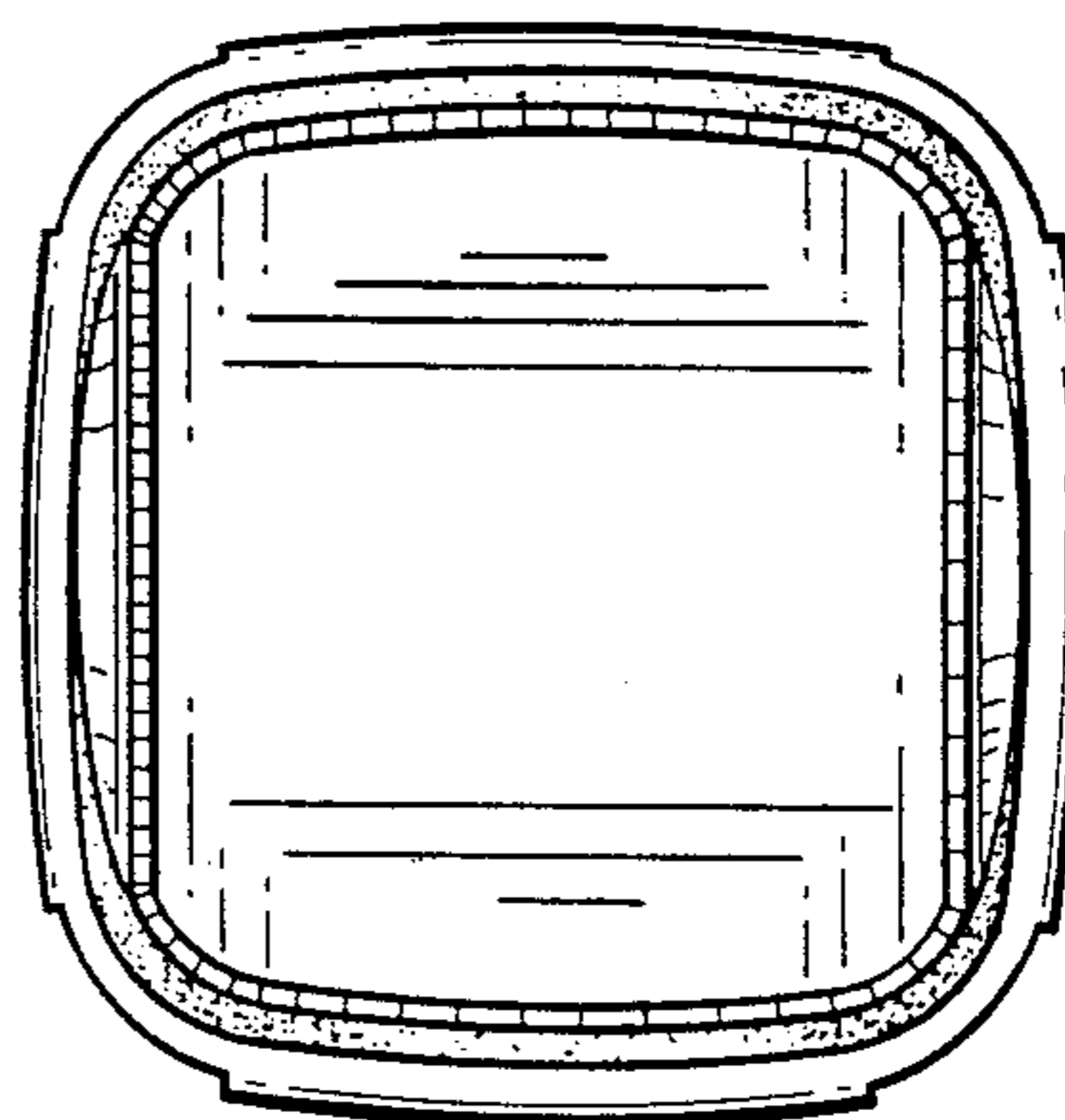


FIG. 14