

[54] FOOD STORAGE CONTAINER OR THE LIKE

[75] Inventors: Robert H. C. M. Daenen, Hekelgem, Belgium; Rino Conti, Stoughton, Mass.

[73] Assignee: Dart Industries Inc., Northbrook, Ill.

[**] Term: 14 Years

[21] Appl. No.: 406,797

[22] Filed: Aug. 10, 1982

[52] U.S. Cl. D7/79; D7/81

[58] Field of Search D9/418, 425, 431, 432; D7/76, 78, 79, 81, 16, 19, 18, 20

[56] References Cited

U.S. PATENT DOCUMENTS

D. 52,562	10/1918	Dickmeyer	D9/418
D. 92,697	7/1934	Bicks	D9/408
D. 112,656	12/1938	Hirschland	D7/79
D. 124,756	1/1941	Wright	D9/414
D. 207,175	3/1967	Brefka	D7/79
D. 211,682	7/1968	Eicholtz et al.	D9/425
D. 238,137	12/1975	Swett	D7/79
D. 250,870	1/1979	Stahel	D7/76
D. 257,107	9/1980	Daenen et al.	D7/1
2,575,770	11/1951	Roop	D7/79 X
2,606,586	8/1952	Hill	D7/76 X
4,293,079	10/1981	Lytle	220/306

OTHER PUBLICATIONS

Lustro Ware 65 Cat. #605, p. 10, top panel, 4 Food Containers Shown, Same Cover Fits All.
Tupperware Catalog Dated Feb., 1982, p.4/-A35; p.

5-A65, A70, A75 & A85; p. 20-K57 & K60; p. 13-G35; p. 15-H55 & H60; p. 26-P70 & P75.

Buchsteiner Brochure Dated Jul., 1979; Products Art. Nr. 3320 And 3322.

Sarvis Brochure (Date Unknown).

Copco Catalog (1982) pp. 6 And 7-Food Savers.

Primary Examiner—Winifred E. Herrmann

Attorney, Agent, or Firm—John A. Doninger

[57] CLAIM

The ornamental design for a food storage container or the like, substantially as shown.

DESCRIPTION

FIG. 1 is a top perspective view of a food storage container or the like showing our new design;

FIGS. 2-4 are top perspective views of modifications of the food storage container of FIG. 1;

FIG. 5 is an end elevational view of FIG. 1; the end opposite being identical thereto;

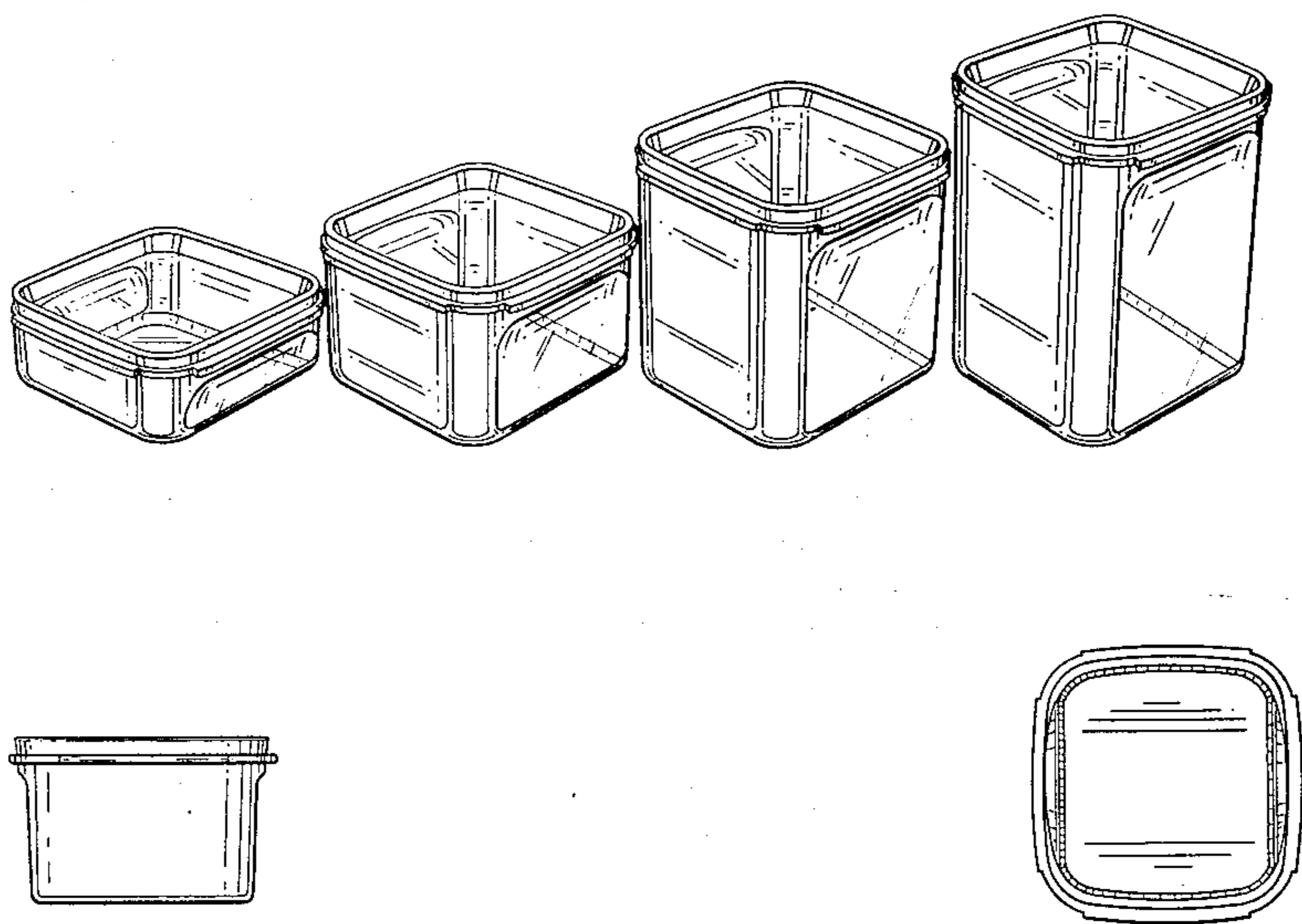
FIGS. 6-8 are end elevational views of FIGS. 2-4 respectively, the opposite ends being identical thereto;

FIG. 9 is a side elevational view of FIG. 1; the side opposite being identical thereto;

FIGS. 10-12 are side elevational views of FIGS. 2-4 respectively, the sides opposite being identical thereto;

FIG. 13 is a top plan view of FIG. 1, it being understood that the size and proportions of the top plan of FIGS. 2-4 are identical hereto; and

FIG. 14 is a bottom plan view of FIG. 1, it being understood that the size and proportions of the bottom plan of FIGS. 2-4 are identical hereto.



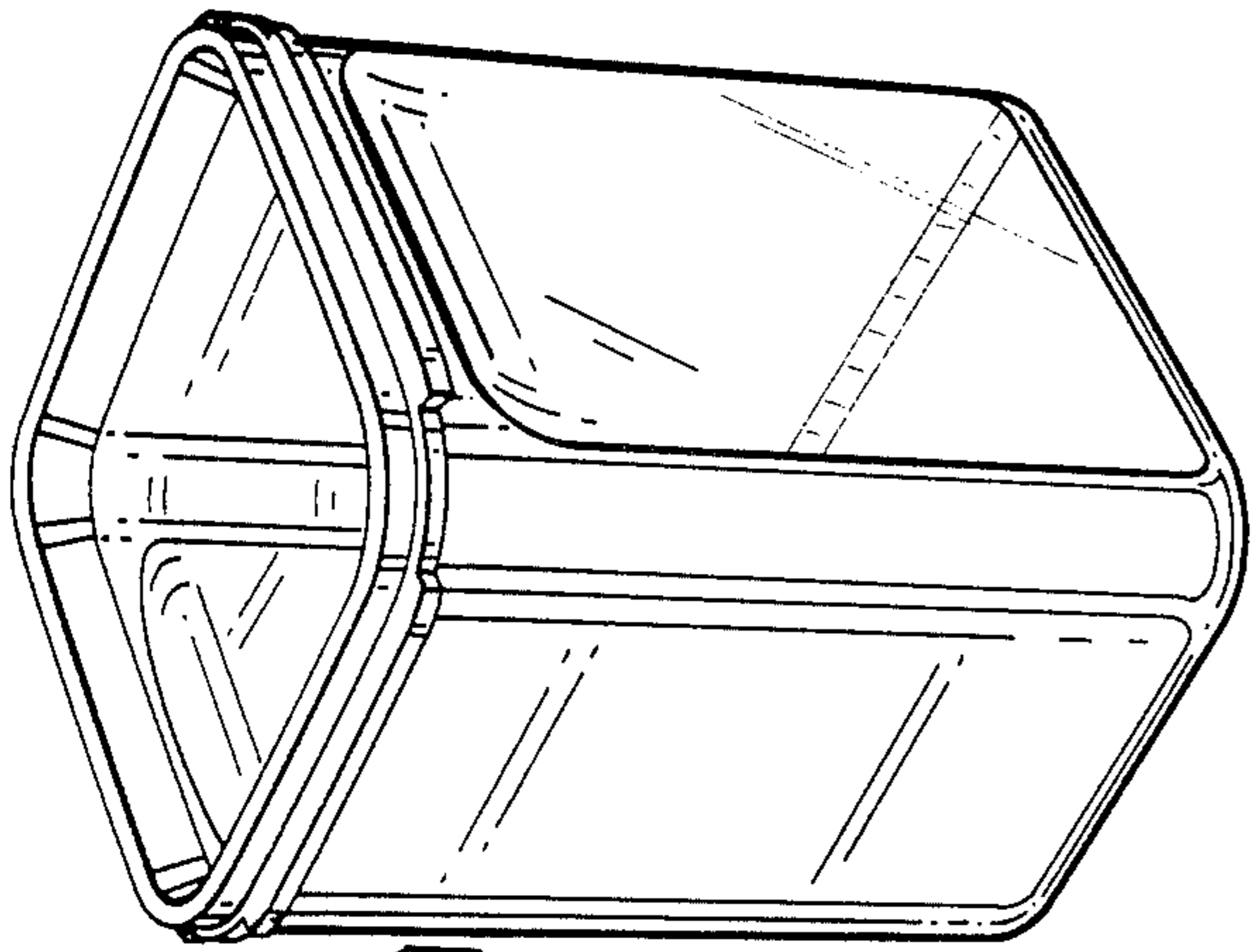


FIG. 1

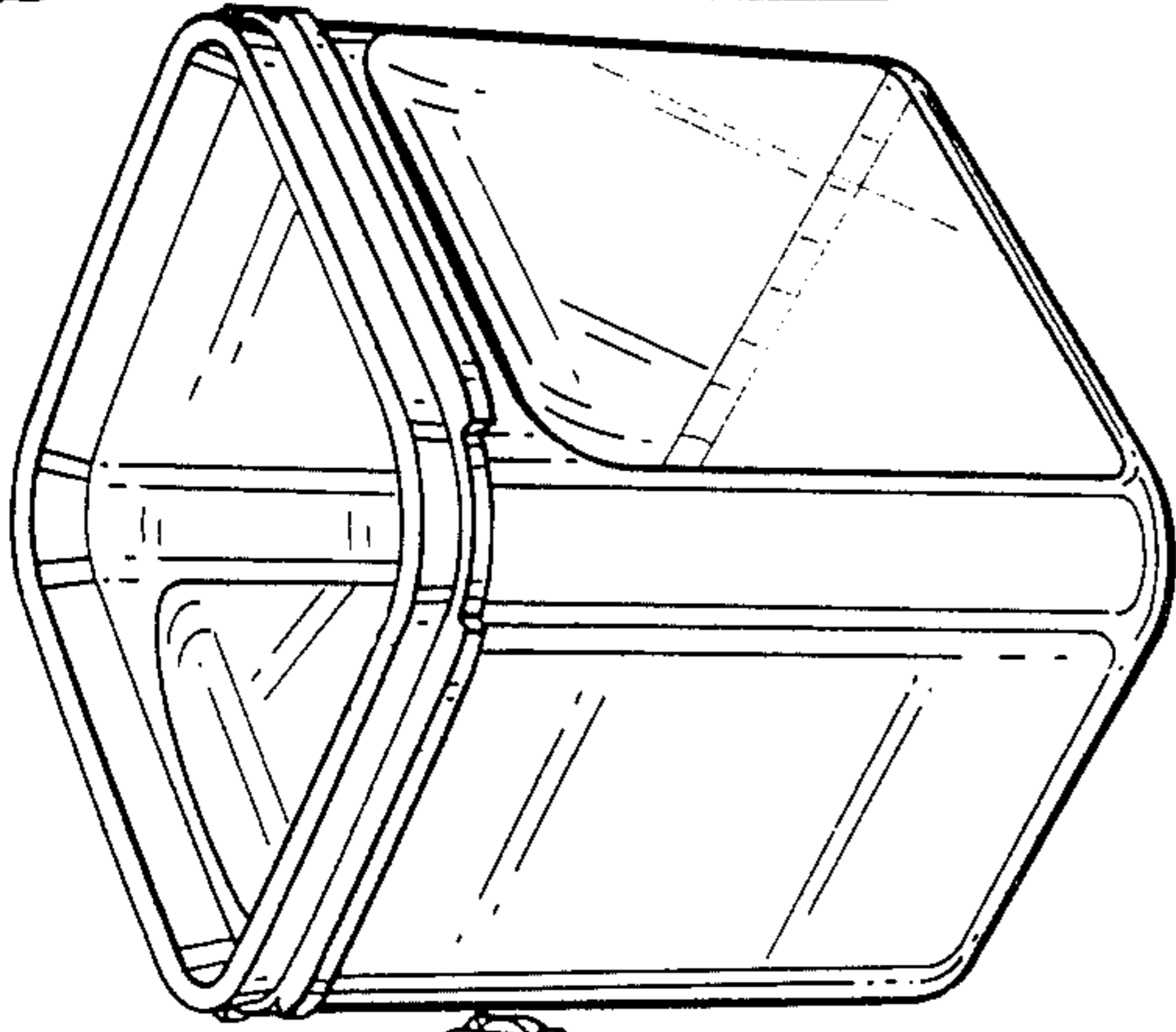


FIG. 2

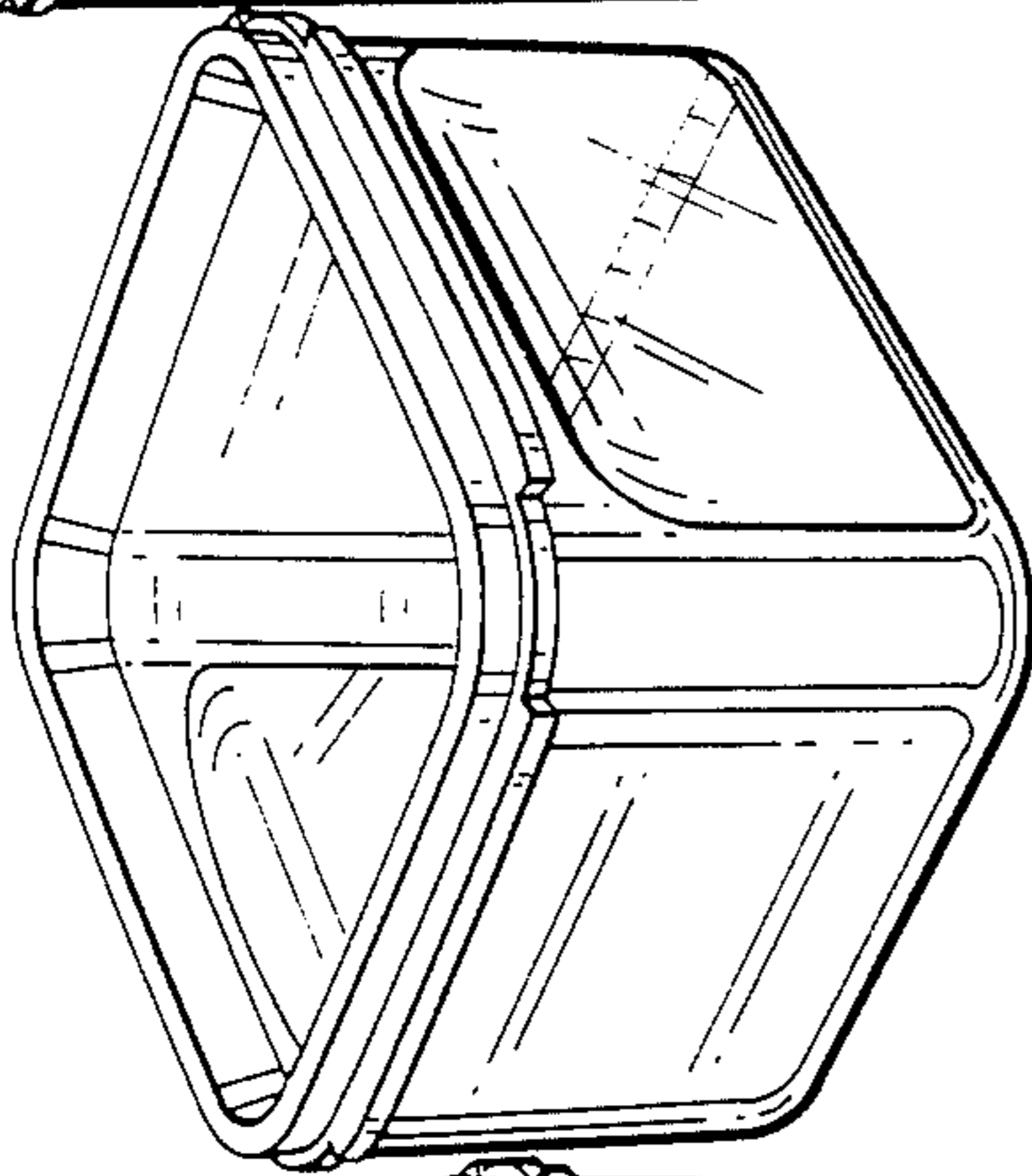


FIG. 3

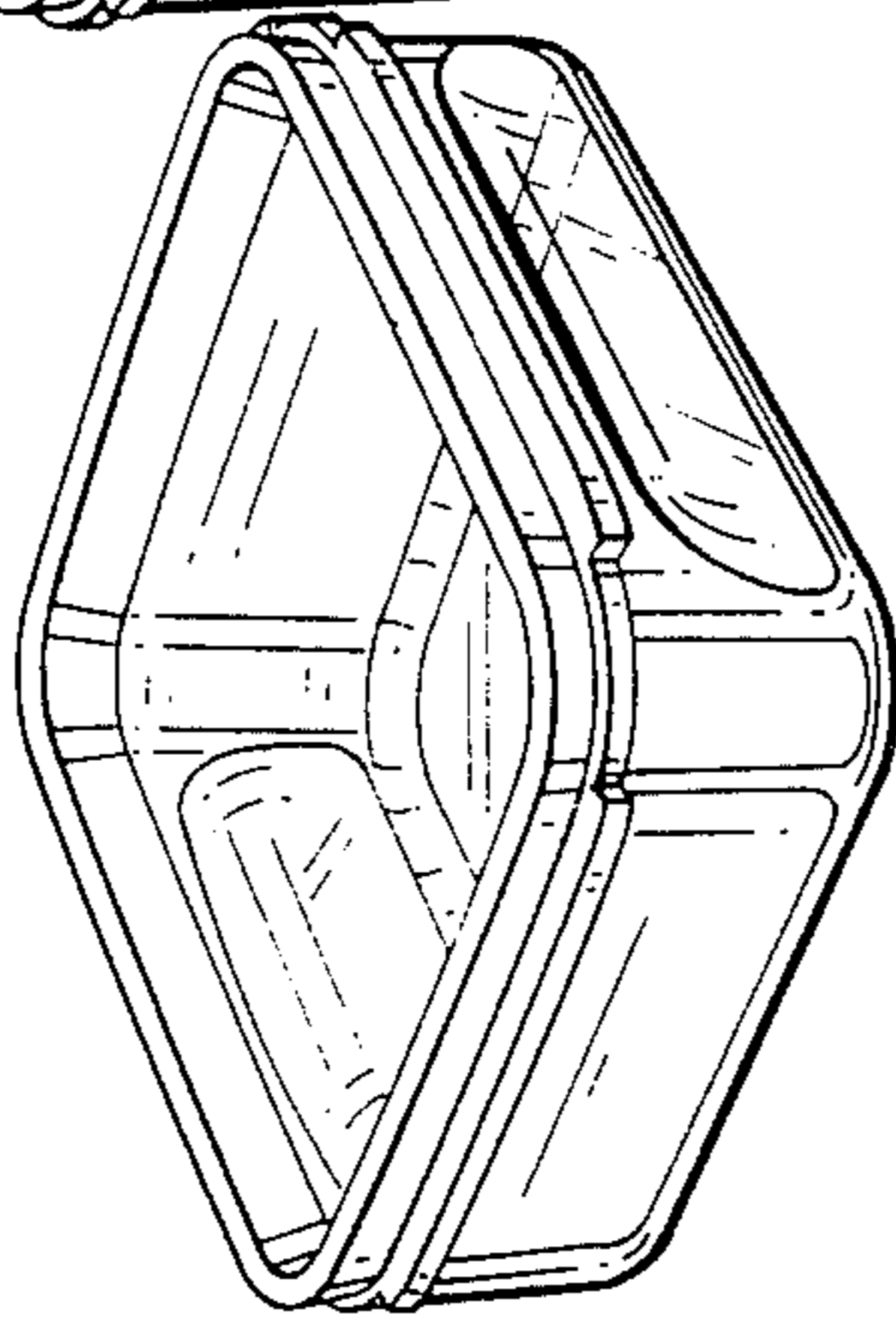


FIG. 4

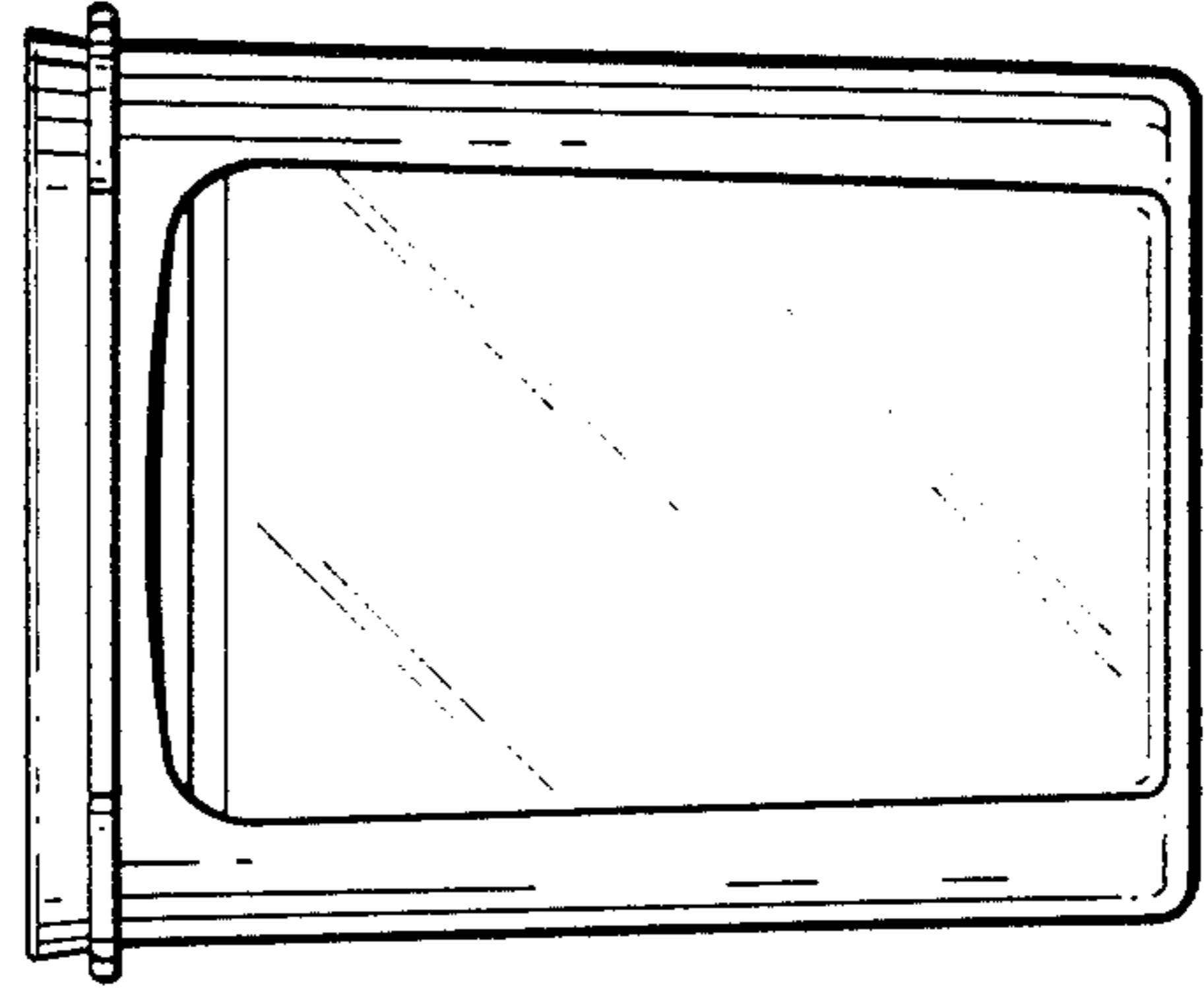


FIG. 5

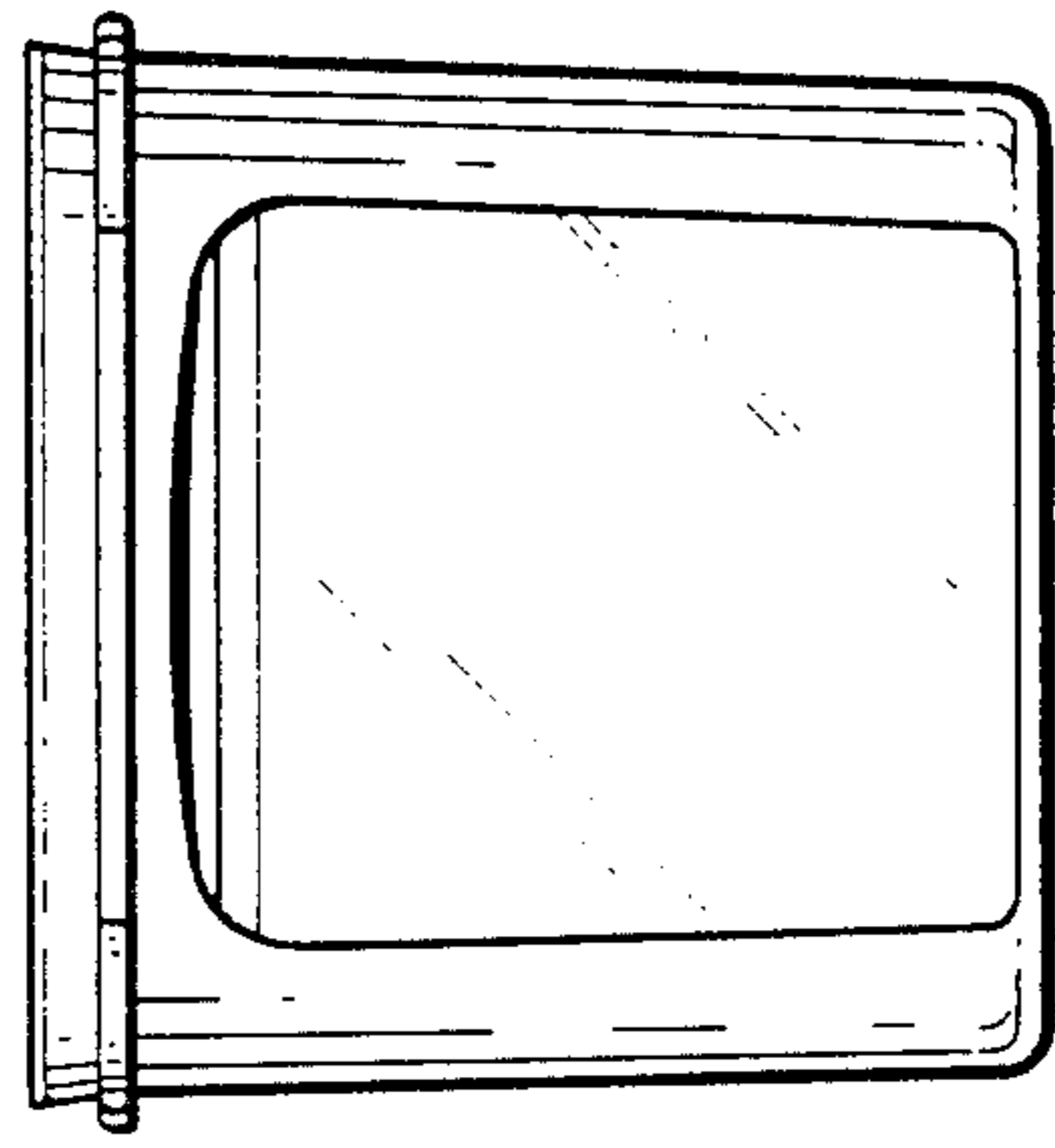


FIG. 6

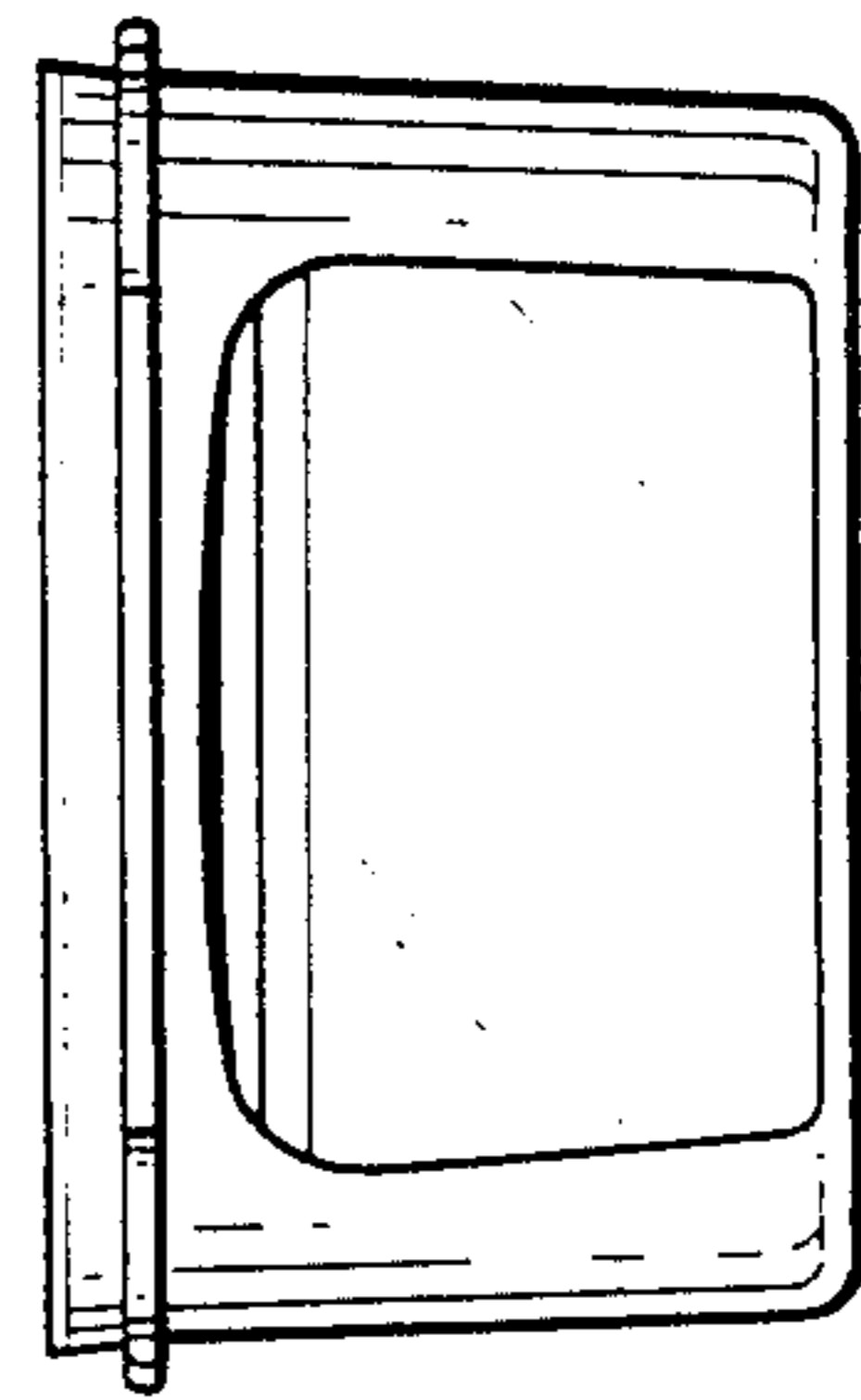


FIG. 7

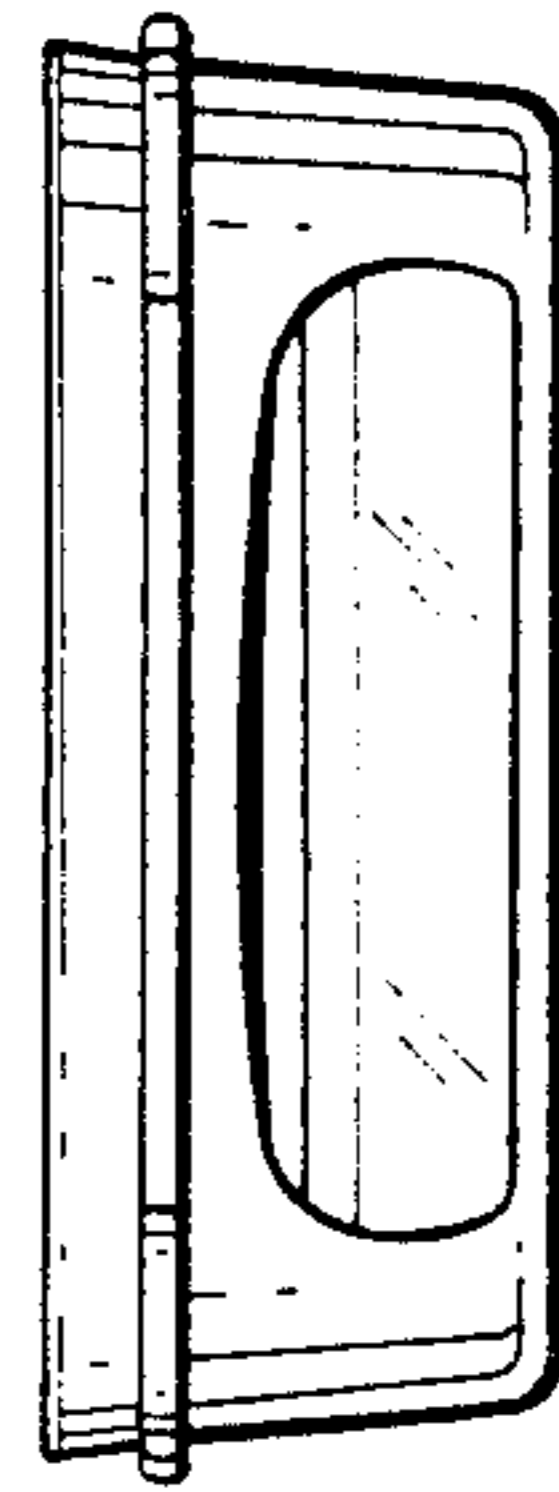


FIG. 8

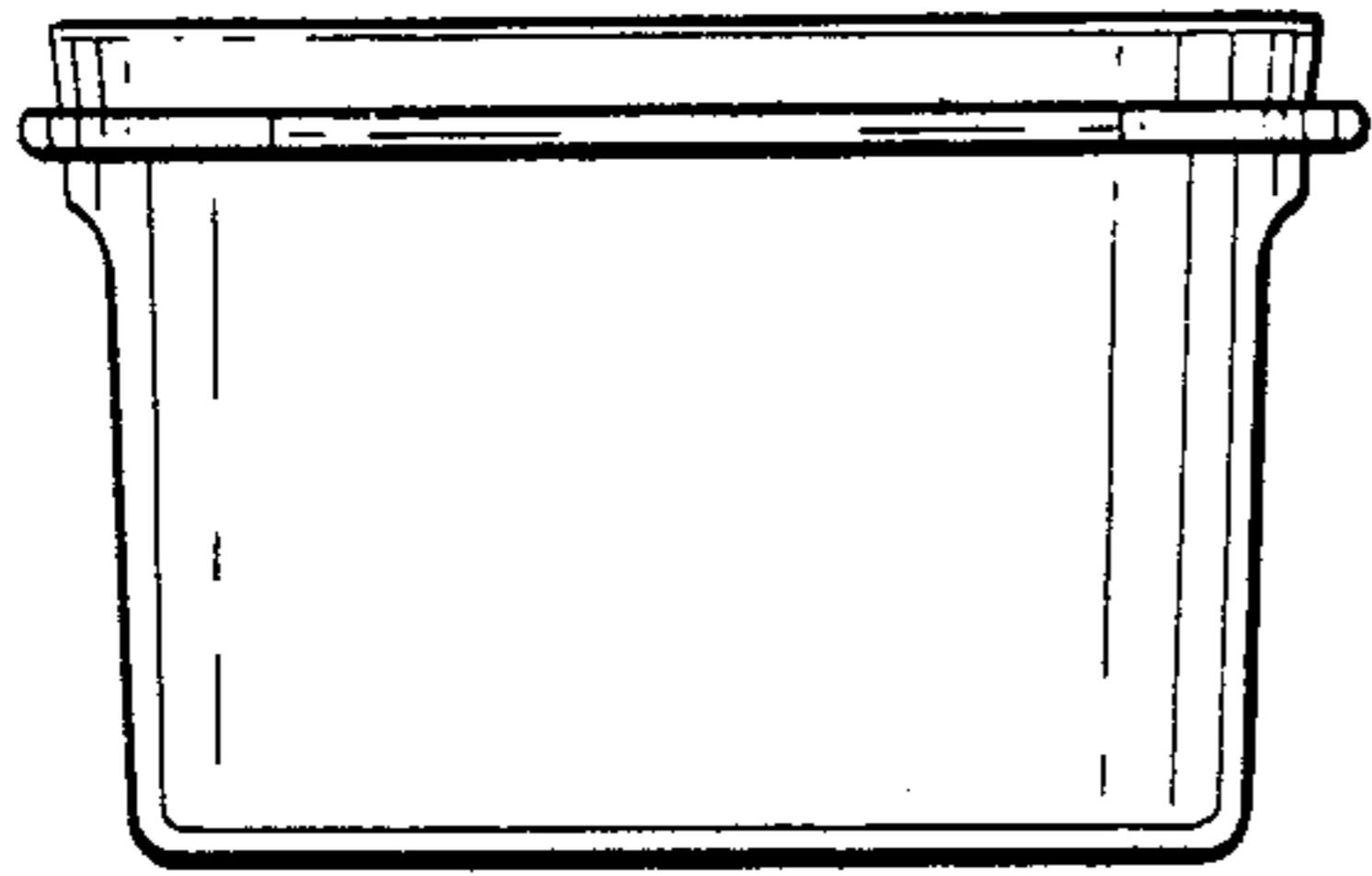


FIG. 9

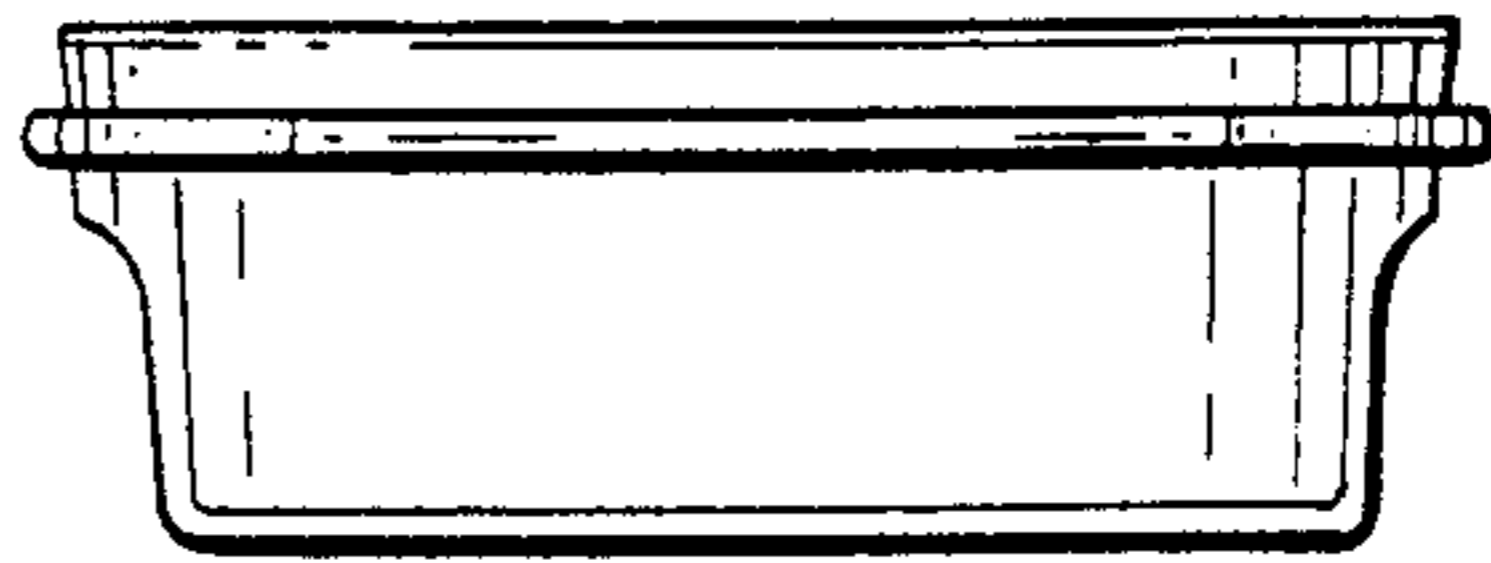


FIG. 10

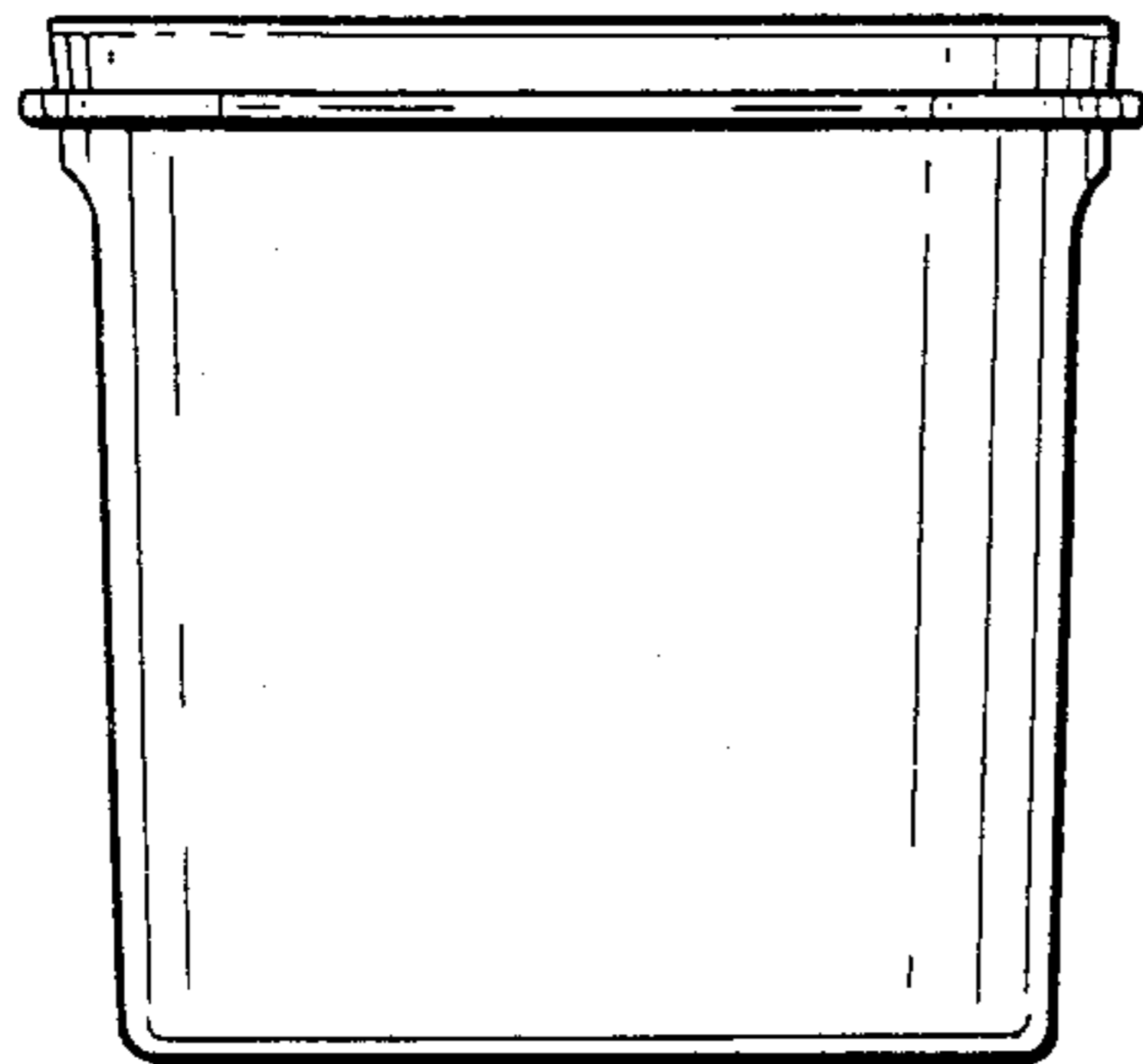


FIG. 11

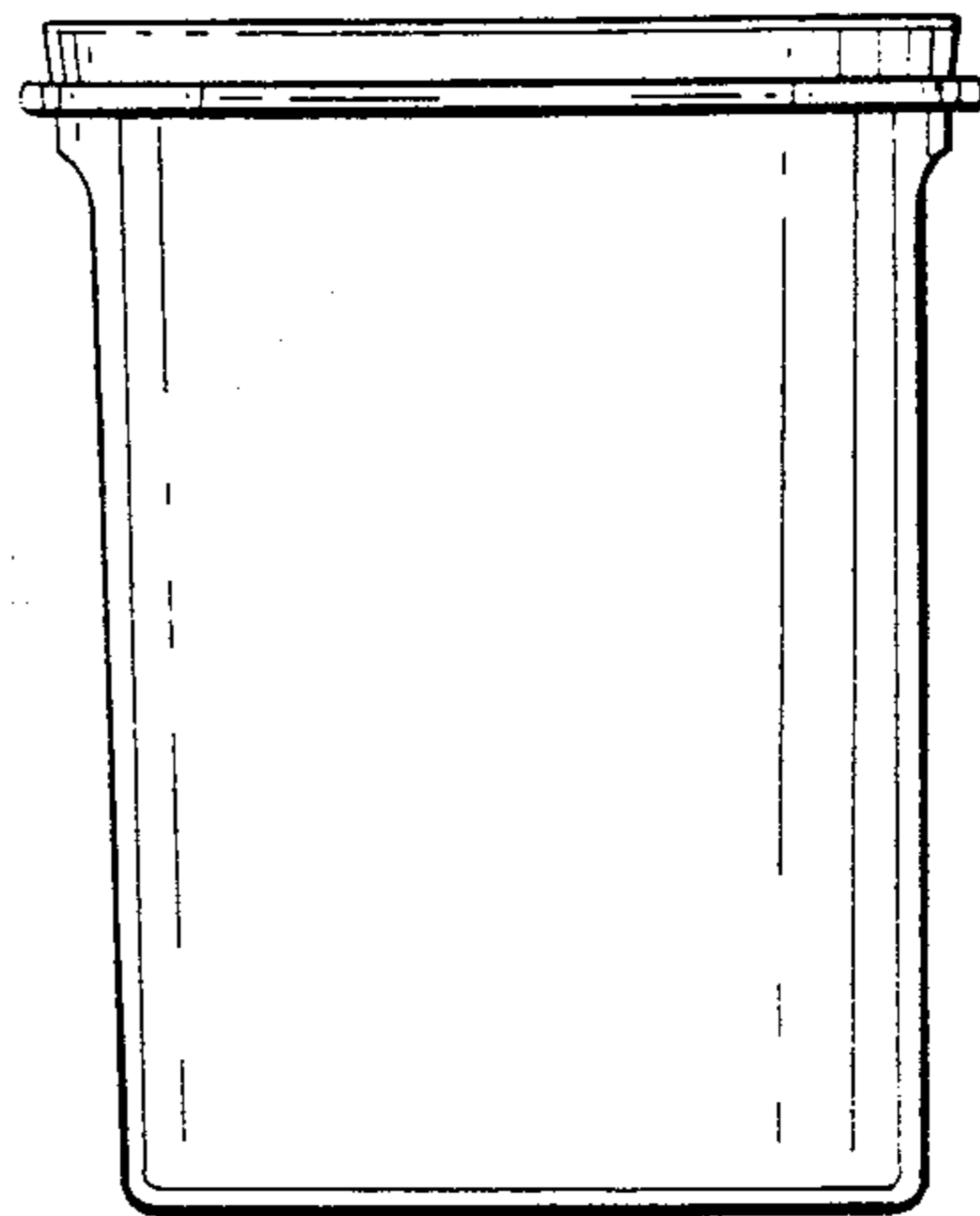


FIG. 12

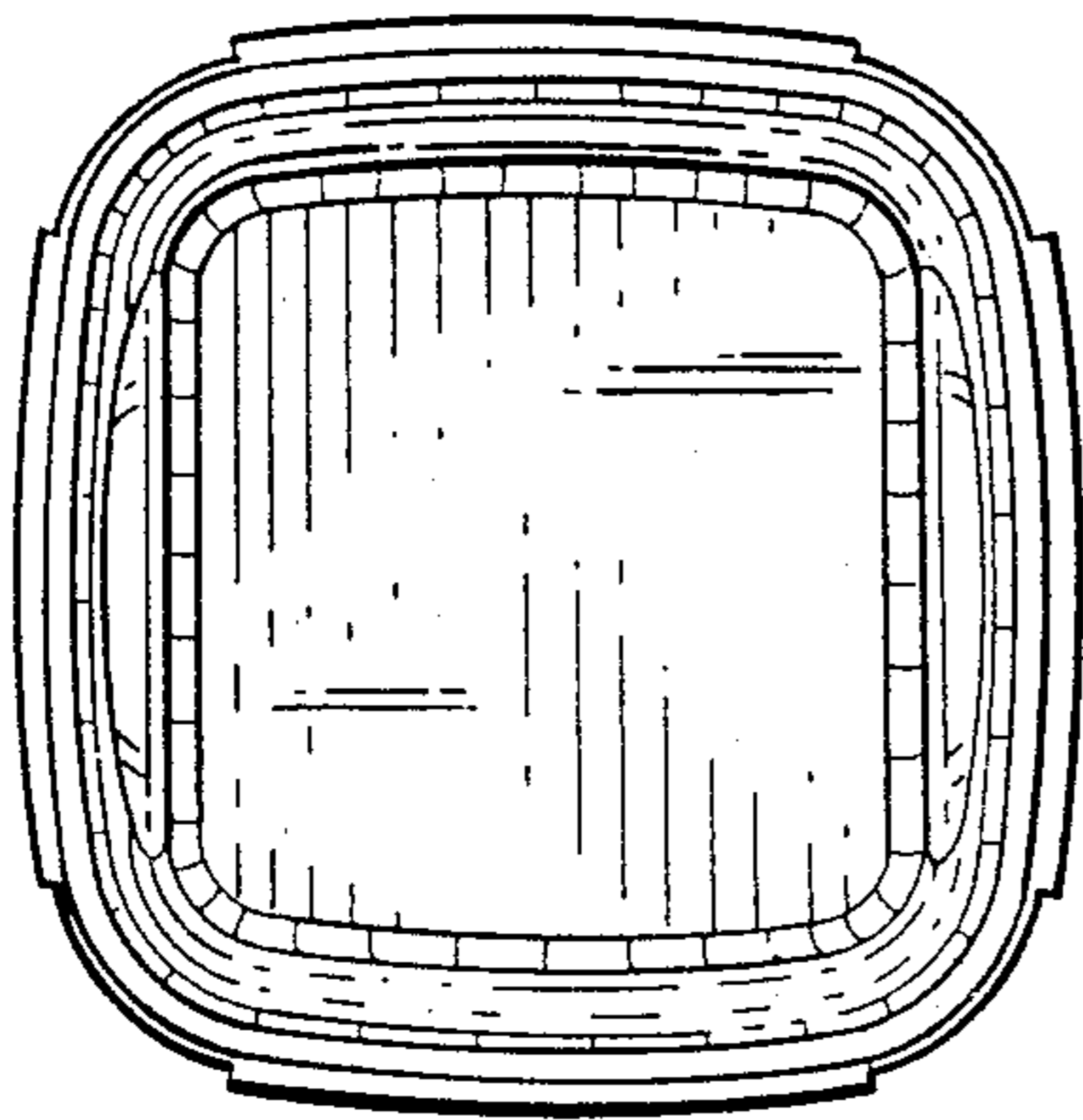


FIG. 13

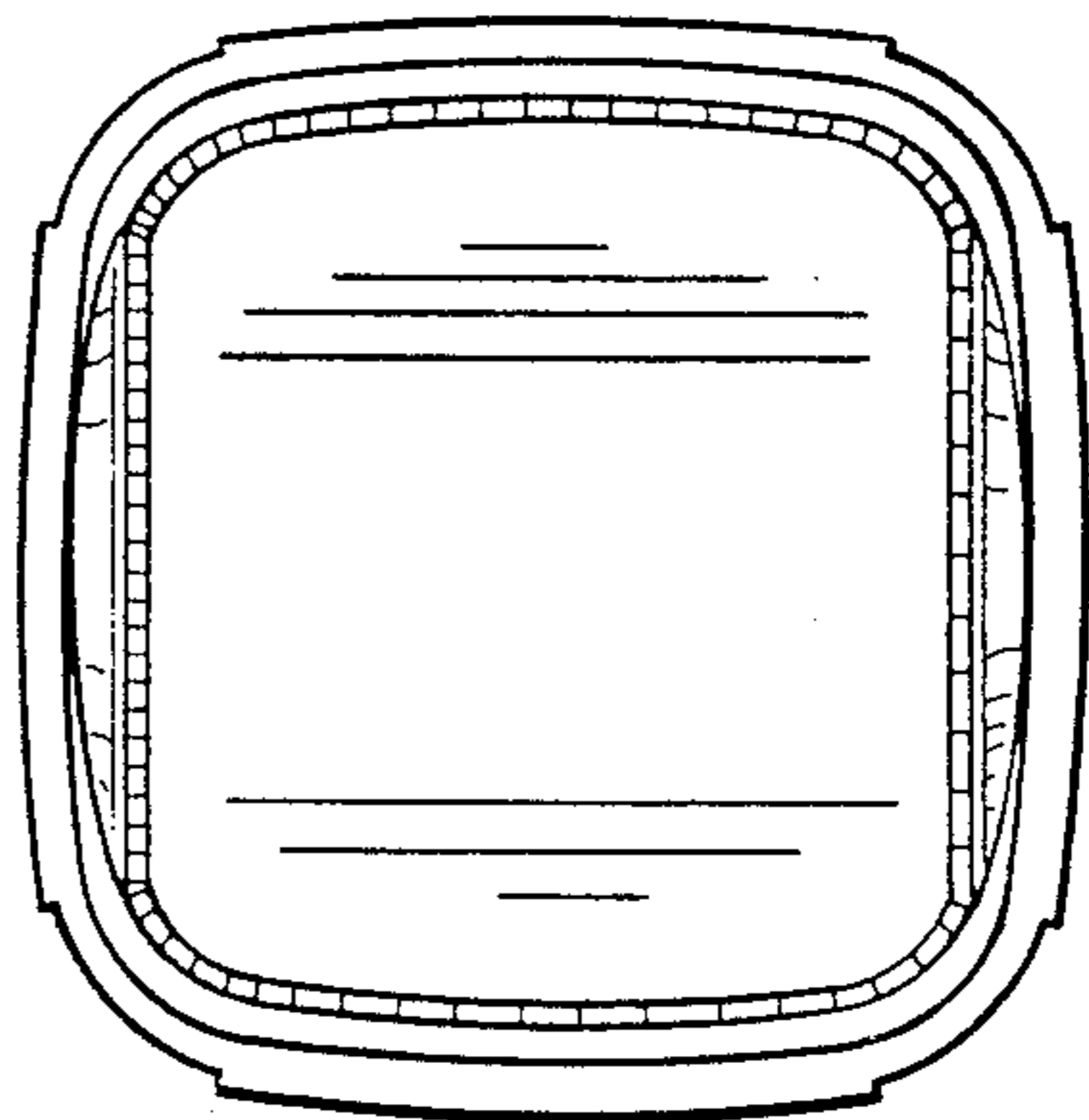


FIG. 14