

[54] PURSE HOLDER

[76] Inventor: Marilyn Wohlman, 7367 Radcliffe, West Bloomfield, Mich. 48033

[\*\*] Term: 14 Years

[21] Appl. No.: 449,303

[22] Filed: Dec. 13, 1982

[52] U.S. Cl. .... D6/467; D7/38; D19/90

[58] Field of Search ..... D6/466, 467; D7/38, D7/72, 76; D19/90; 211/10, 11, 41, 50

[56] References Cited

U.S. PATENT DOCUMENTS

- D. 194,119 11/1962 Perl ..... D7/38 X
- D. 246,491 11/1977 D'Alo ..... D6/467
- D. 259,010 4/1981 Klatt ..... D7/38
- 2,023,150 12/1935 Ritchie ..... 211/11 X
- 3,870,156 3/1975 O'Neill ..... 211/50 X

4,004,501 1/1977 Guerrero ..... D7/38 X

FOREIGN PATENT DOCUMENTS

89812 8/1957 Norway ..... 211/50

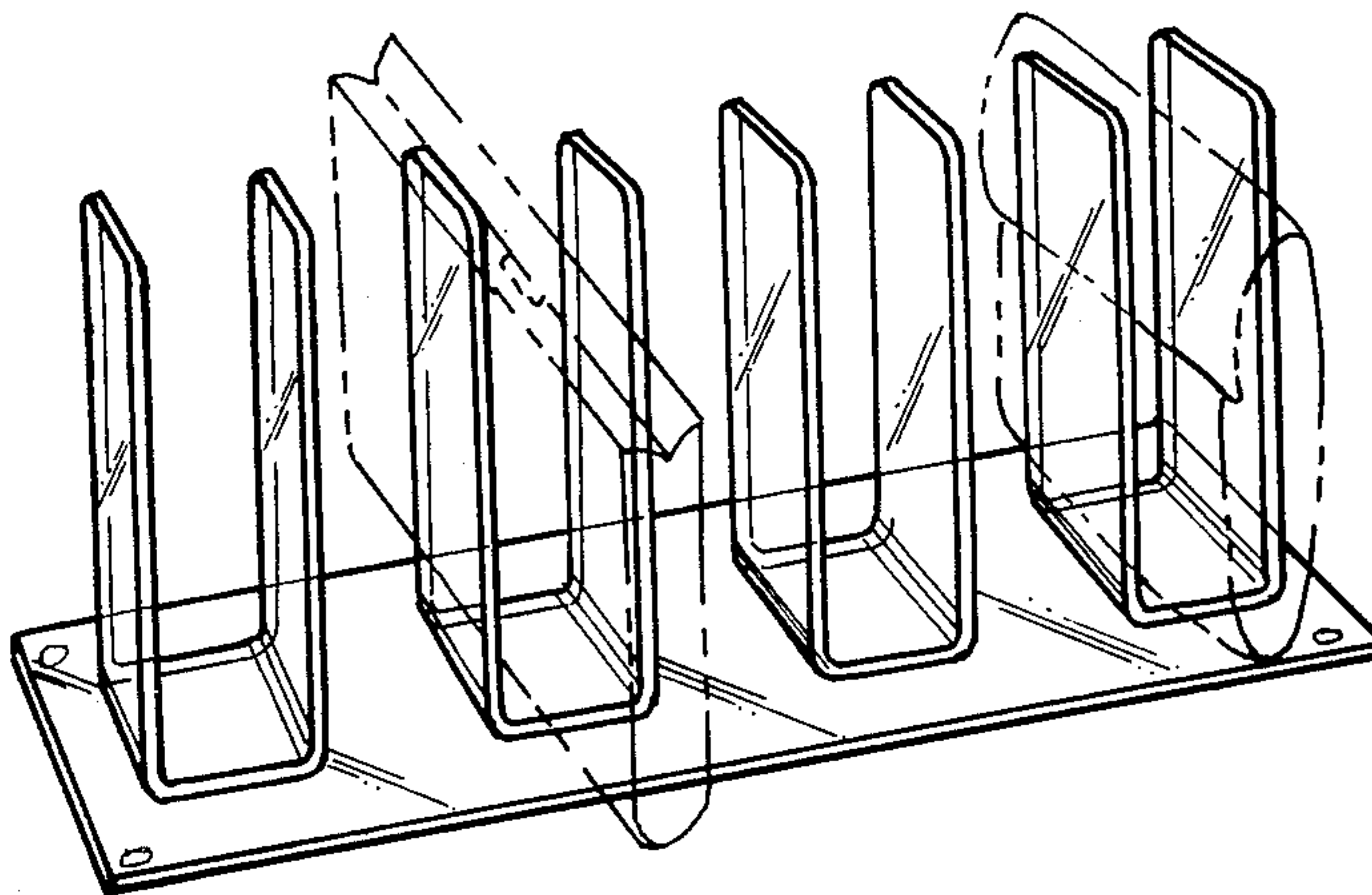
Primary Examiner—Carmen H. Vales  
Attorney, Agent, or Firm—Krass & Young

[57] CLAIM

The ornamental design for a purse holder, as shown and described.

DESCRIPTION

FIG. 1 is a front perspective view of a "Purse Holder" showing my new design;  
 FIG. 2 is a side elevational view, the opposite side being identical thereto;  
 FIG. 3 is an enlarged top plan view thereof;  
 FIG. 4 is an enlarged rear elevational view, the front being identical thereto; and  
 FIG. 5 is an enlarged bottom plan view thereof.



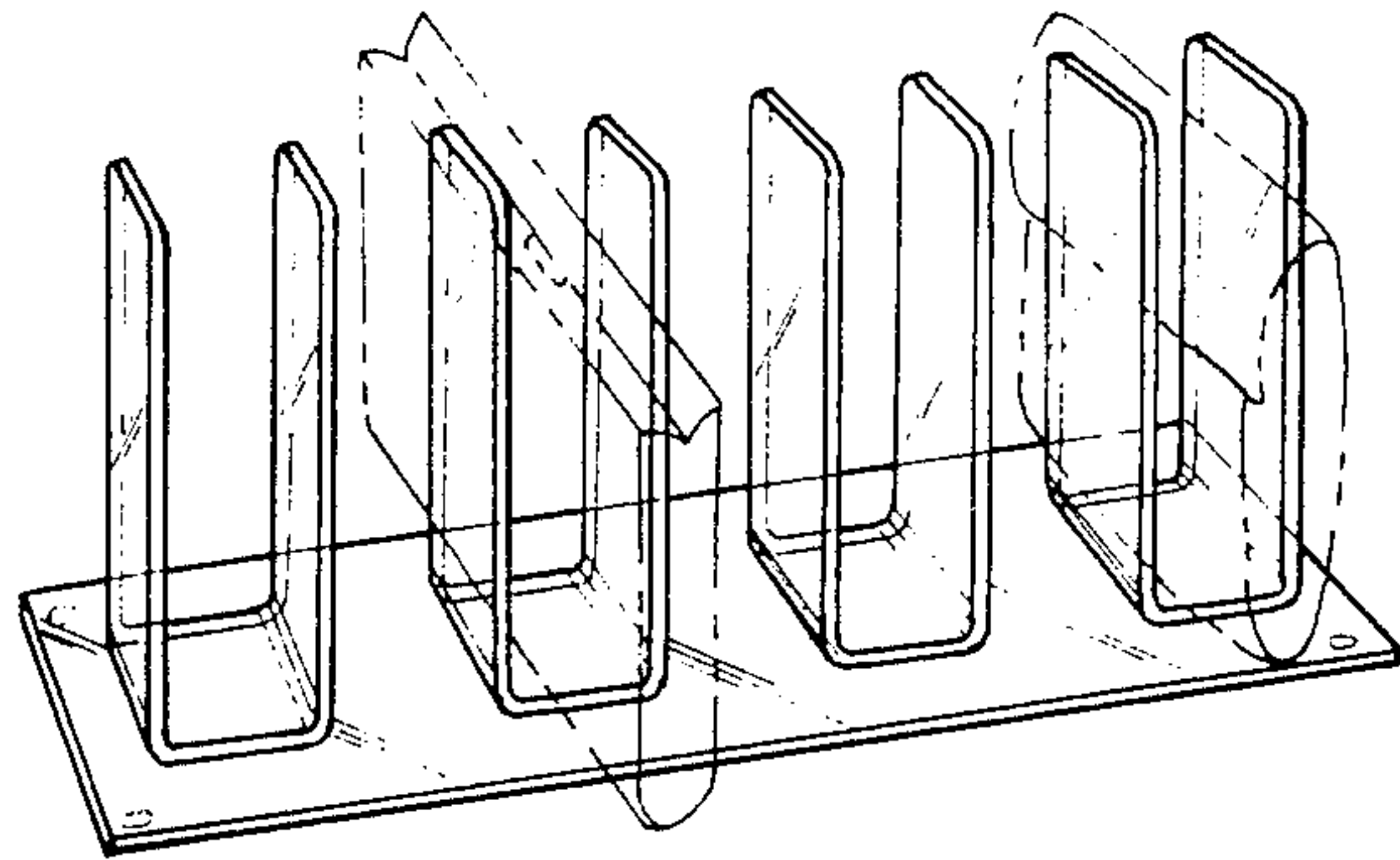


FIG-1

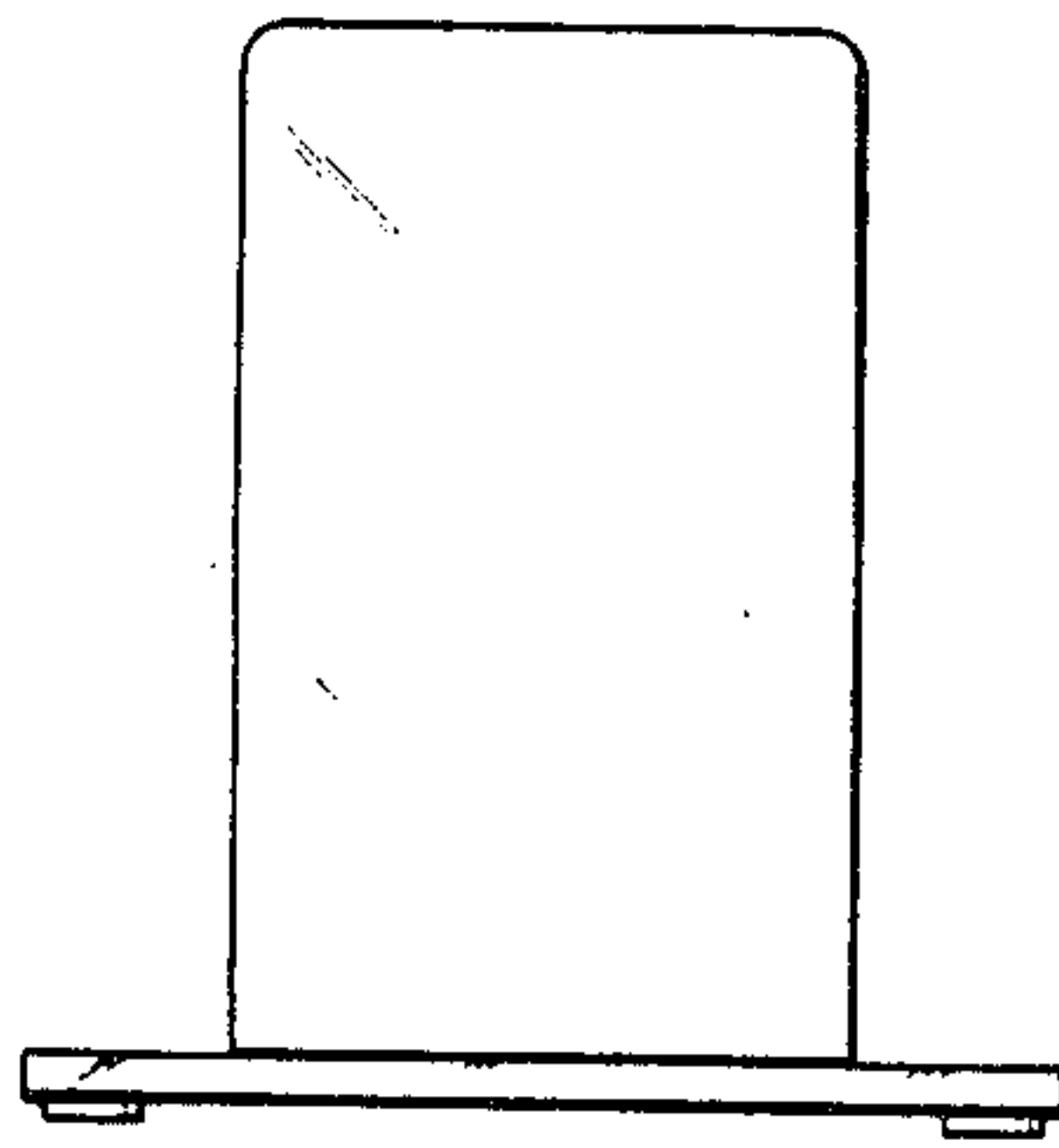


FIG-2

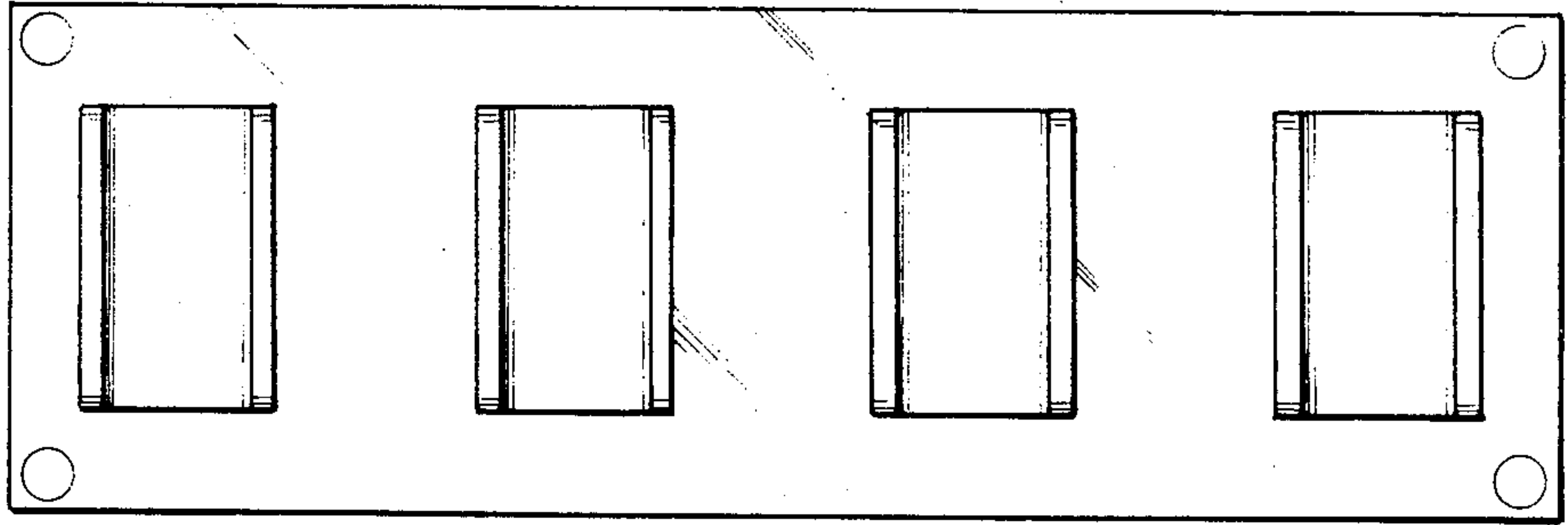


FIG-3

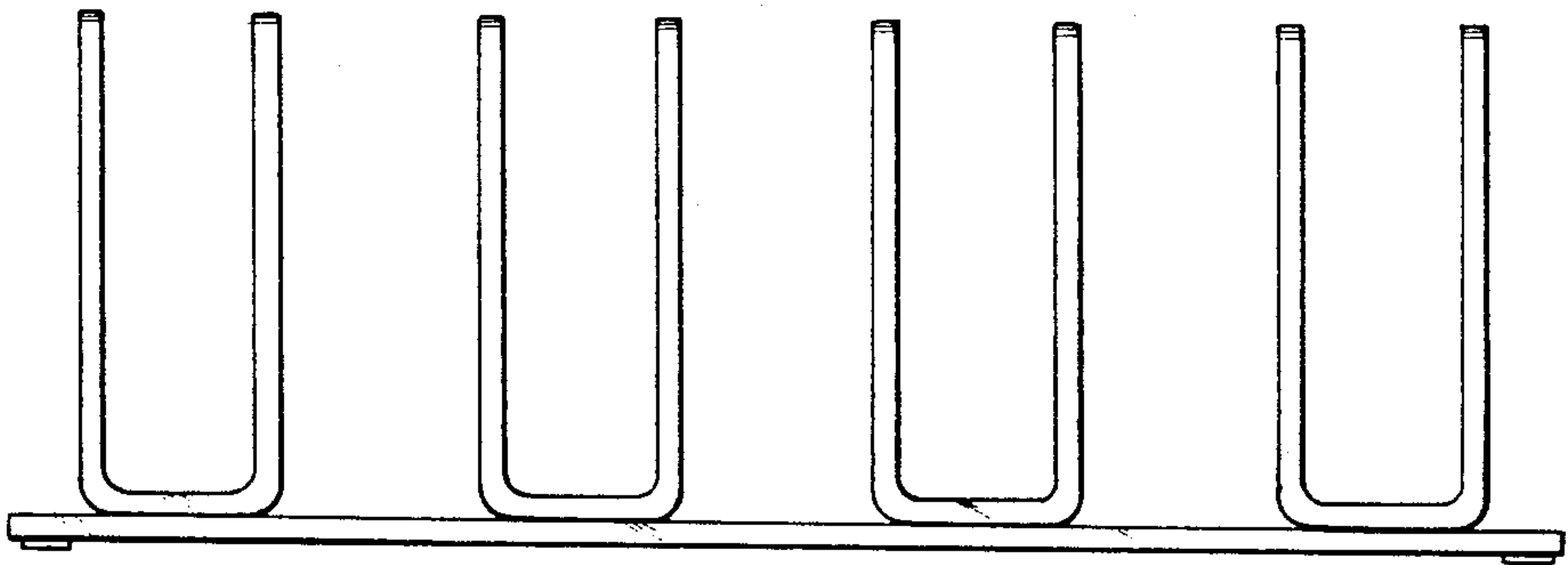


FIG-4

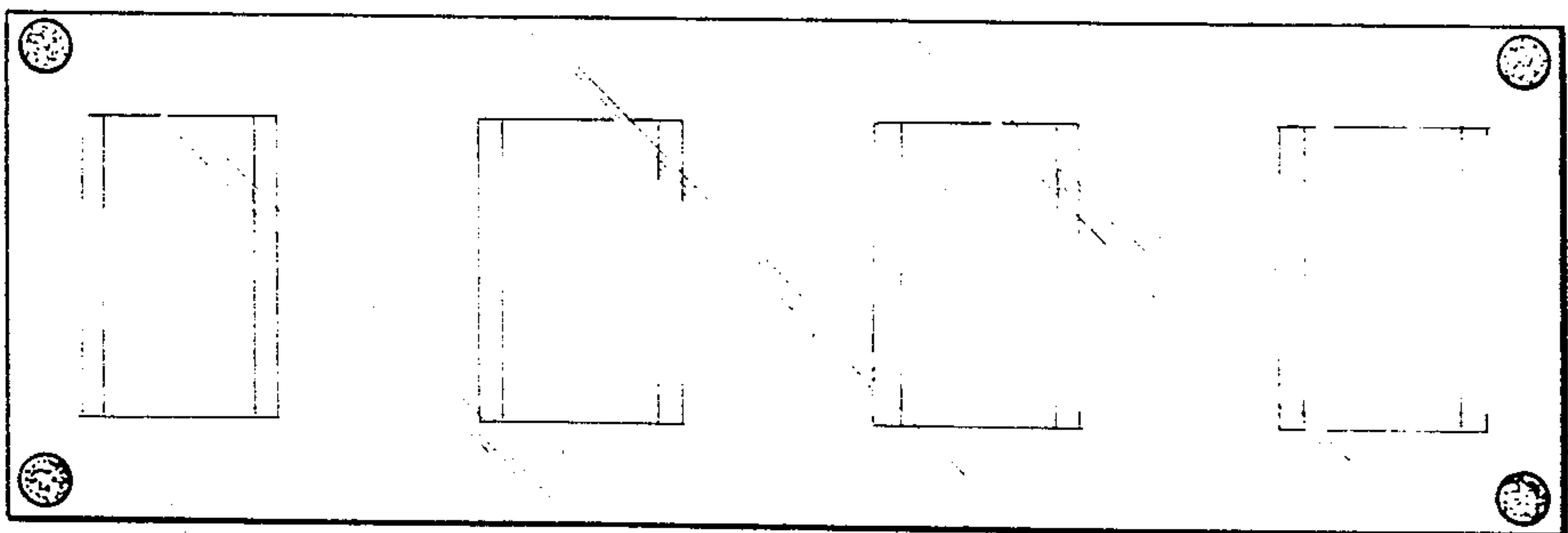


FIG-5