

[54] CONTAINER AND MANUAL HOLDER FOR MOUNTING IN A TRACTOR CAB

[76] Inventor: Robert Langland, R.R. #1, Bingham Lake, Minn. 56118

[\*\*] Term: 14 Years

[21] Appl. No.: 451,272

[22] Filed: Dec. 20, 1982

[52] U.S. Cl. .... D3/40; D6/466; D7/70

[58] Field of Search ..... D6/396, 397, 466; D3/40; D12/155; D7/70; 224/42.42 R, 42.45 R, 273, 277, 906; 211/60.1

[56] References Cited

U.S. PATENT DOCUMENTS

D. 204,999	6/1966	Edwards	.....	D3/40
D. 267,753	2/1983	Urban	.....	D3/40
1,848,005	3/1932	Endreson	.....	224/273
2,471,030	5/1949	Foulke	.....	224/42.45 R
2,640,596	6/1953	Reeder	.....	
2,915,082	12/1959	Shaw	.....	

3,050,223	8/1962	Scioloro	.....	
3,351,251	11/1967	Hinkle	.....	224/273
3,508,732	4/1970	Trachtenberg	.....	

FOREIGN PATENT DOCUMENTS

2447171	9/1980	France	.....	211/60.1
---------	--------	--------	-------	----------

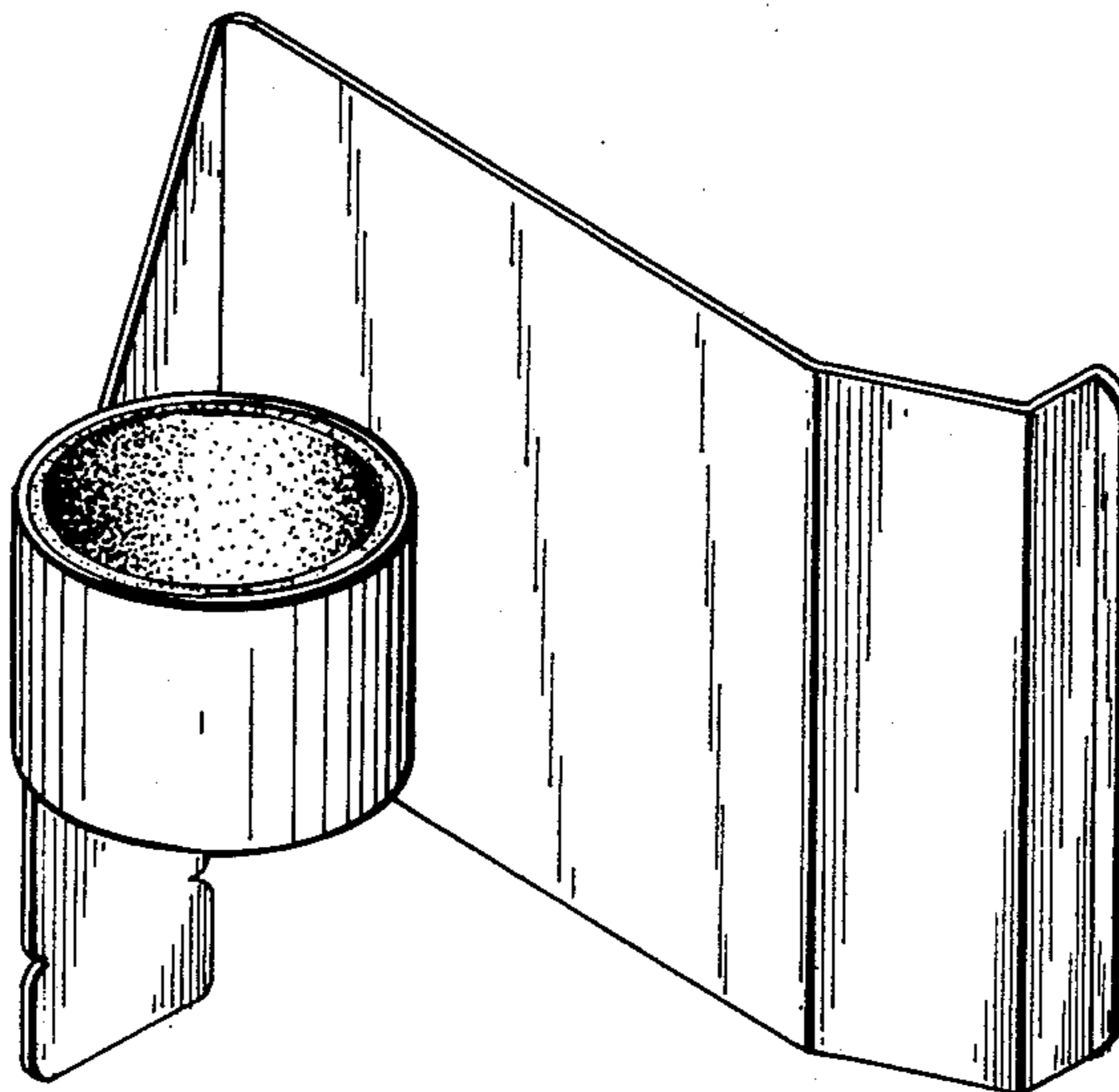
Primary Examiner—Carmen H. Vales  
Attorney, Agent, or Firm—Merchant, Gould, Smith, Edell, Welter & Schmidt

[57] CLAIM

The ornamental design for a container and manual holder for mounting in a tractor cab, as substantially shown.

DESCRIPTION

FIG. 1 is a front and top right perspective view of a container and manual holder showing my new design; FIG. 2 is a front elevational view thereof; FIG. 3 is a rear elevational view thereof; FIG. 4 is a left side elevational view thereof; FIG. 5 is a right side elevational view thereof; FIG. 6 is a top plan view thereof; and FIG. 7 is a bottom plan view thereof.



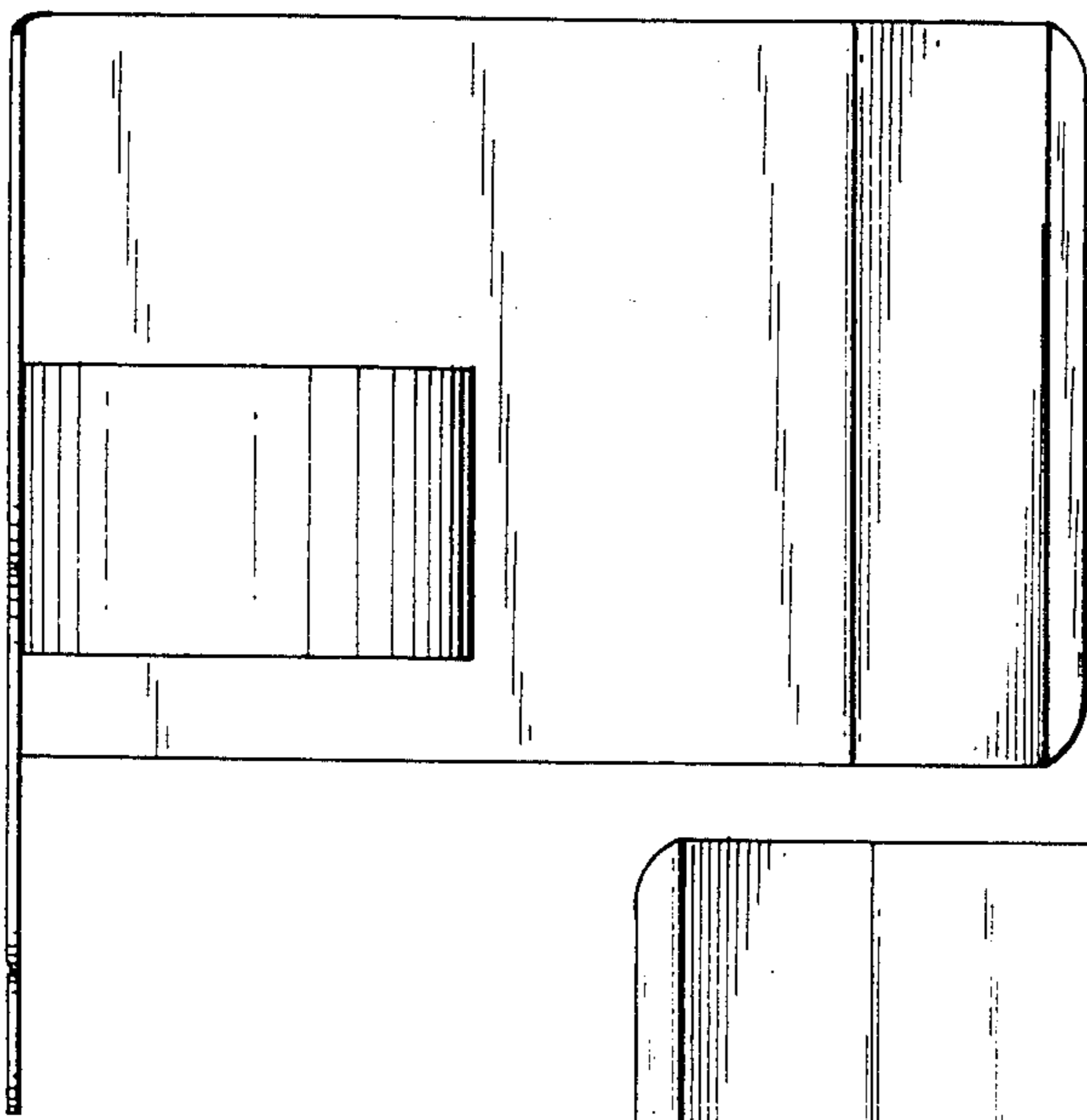
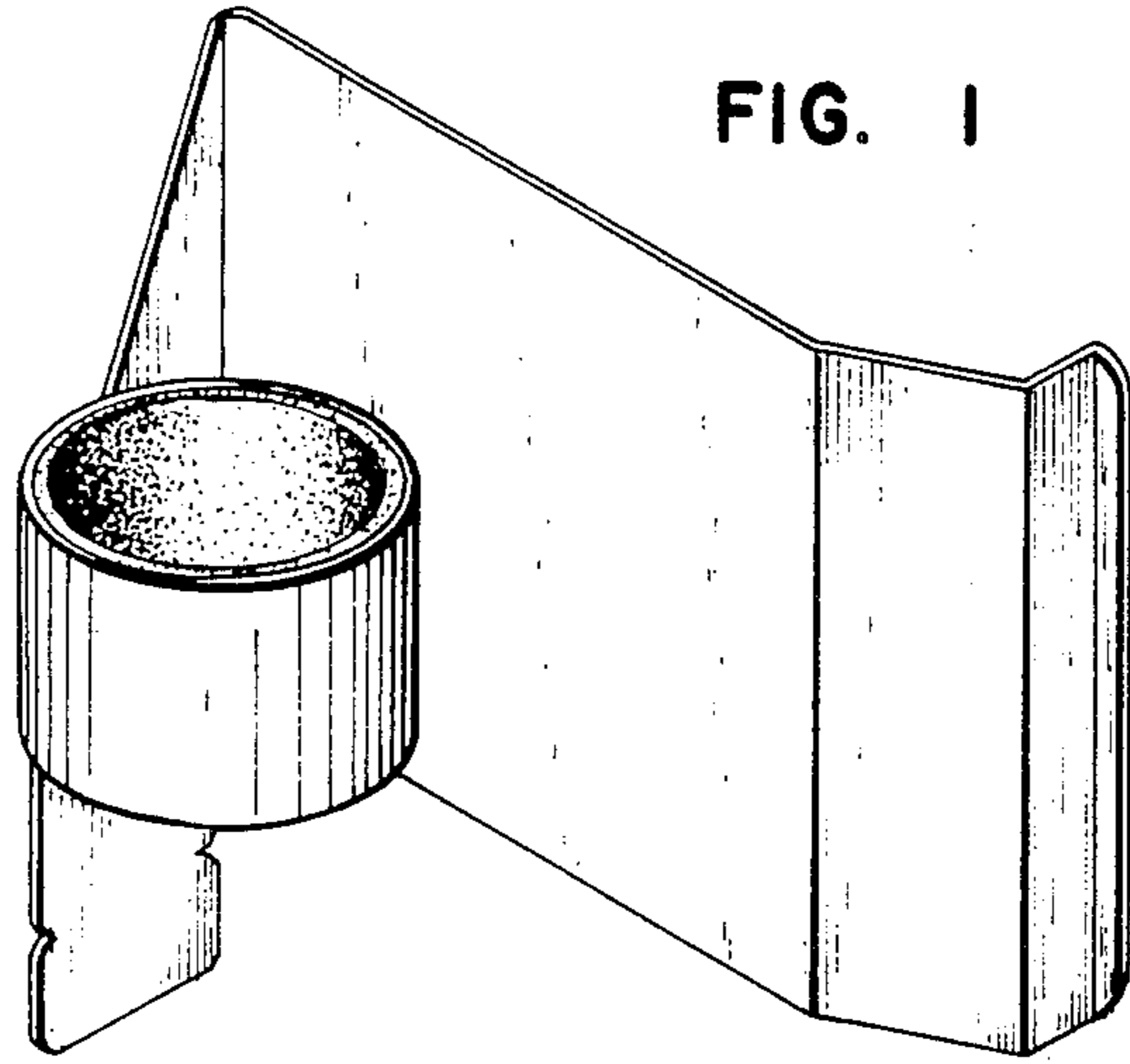
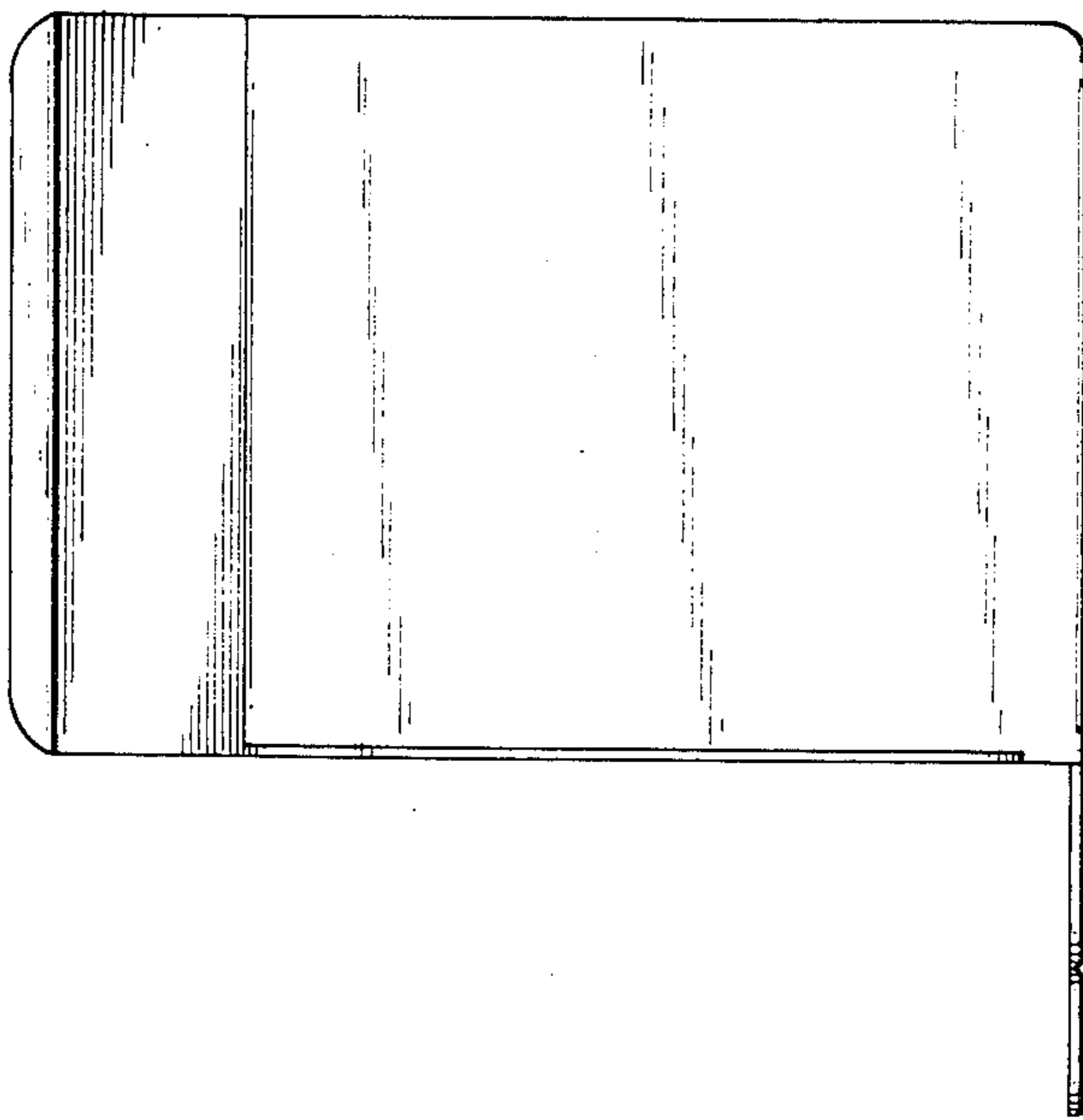


FIG. 3



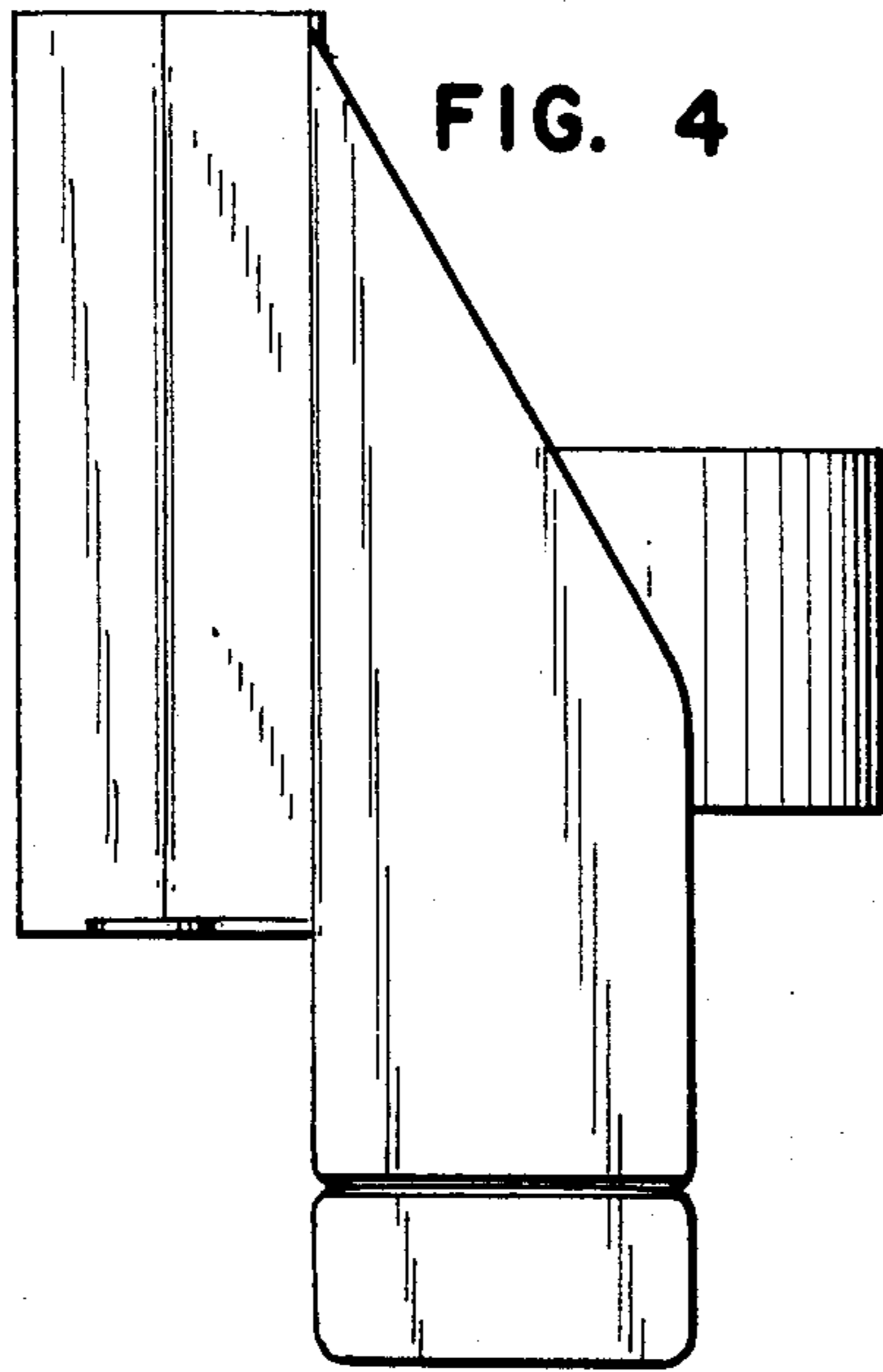


FIG. 4

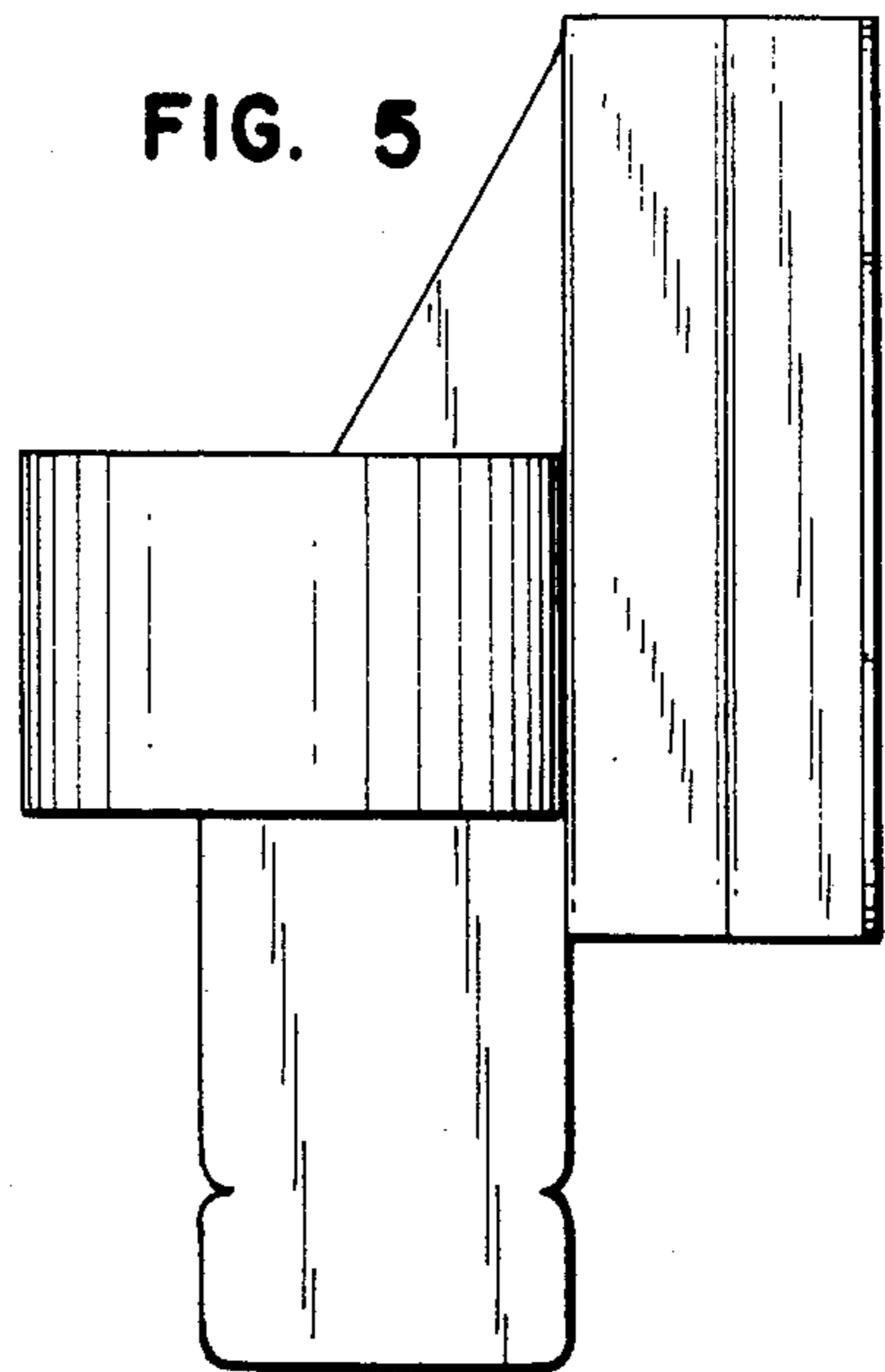


FIG. 5

FIG. 6

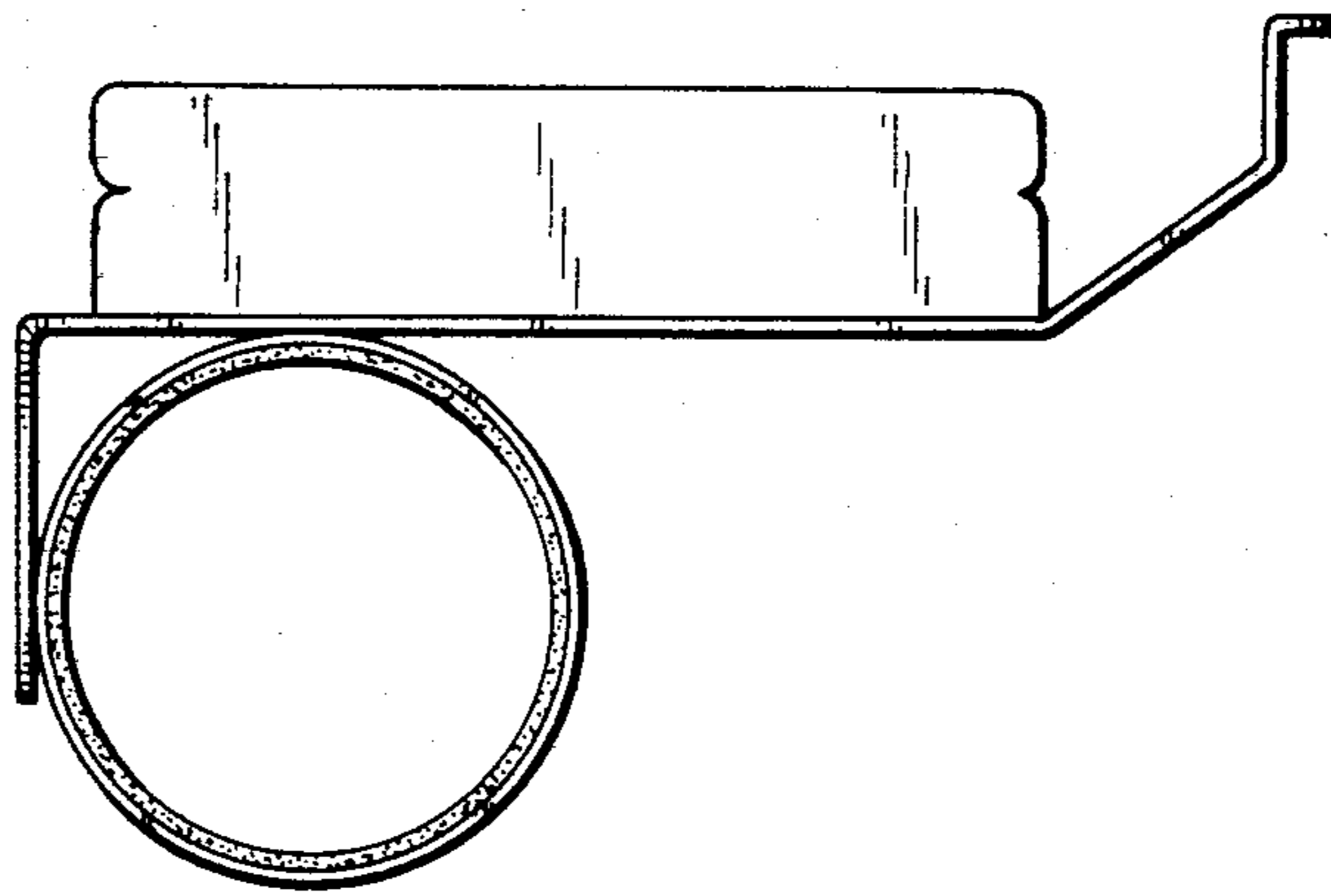


FIG. 7

