

[54] SLIDE HOLDER

[76] Inventors: Stanley Z. Feingold; Irene B. Feingold, both of 355 Warren Ave., Rochester, N.Y. 14618

[**] Term: 14 Years

[21] Appl. No.: 456,528

[22] Filed: Jan. 7, 1983

[52] U.S. Cl. D3/35; D3/52; D3/60; D3/79

[58] Field of Search D3/30.1, 42, 52, 53, D3/56, 60, 79; 40/156, 158 B, 159; 150/34, 39; D19/26

[56] References Cited

U.S. PATENT DOCUMENTS

D. 160,921	11/1950	Chase et al.	D3/52
D. 208,614	9/1967	Coniker	D3/56
D. 256,475	8/1980	McDanles	D19/26
D. 259,221	5/1981	Gebbia	D19/26
D. 263,095	2/1982	Wajs et al.	D3/79

D. 268,224	3/1983	Jackson et al.	D3/52
D.271,919	12/1983	Duffy	D19/26
2,175,327	10/1939	Thornhill et al.	D3/52
4,108,227	8/1978	Bonner	D3/59

Primary Examiner—George P. Word
Attorney, Agent, or Firm—Barnes & Thornburg

[57] CLAIM

The ornamental design for a slide holder, as described and shown.

DESCRIPTION

FIG. 1 is a front perspective view of a slide holder showing our new design, the holder being in a closed condition;

FIG. 2 is a rear elevational view thereof;

FIG. 3 is a side elevational view thereof;

FIG. 4 is an end elevational view thereof;

FIG. 5 is a reduced scale plan view with the foldable parts thereof arranged in a flat or fully-opened condition; and

FIG. 6 is a bottom view opposite of FIG. 5.

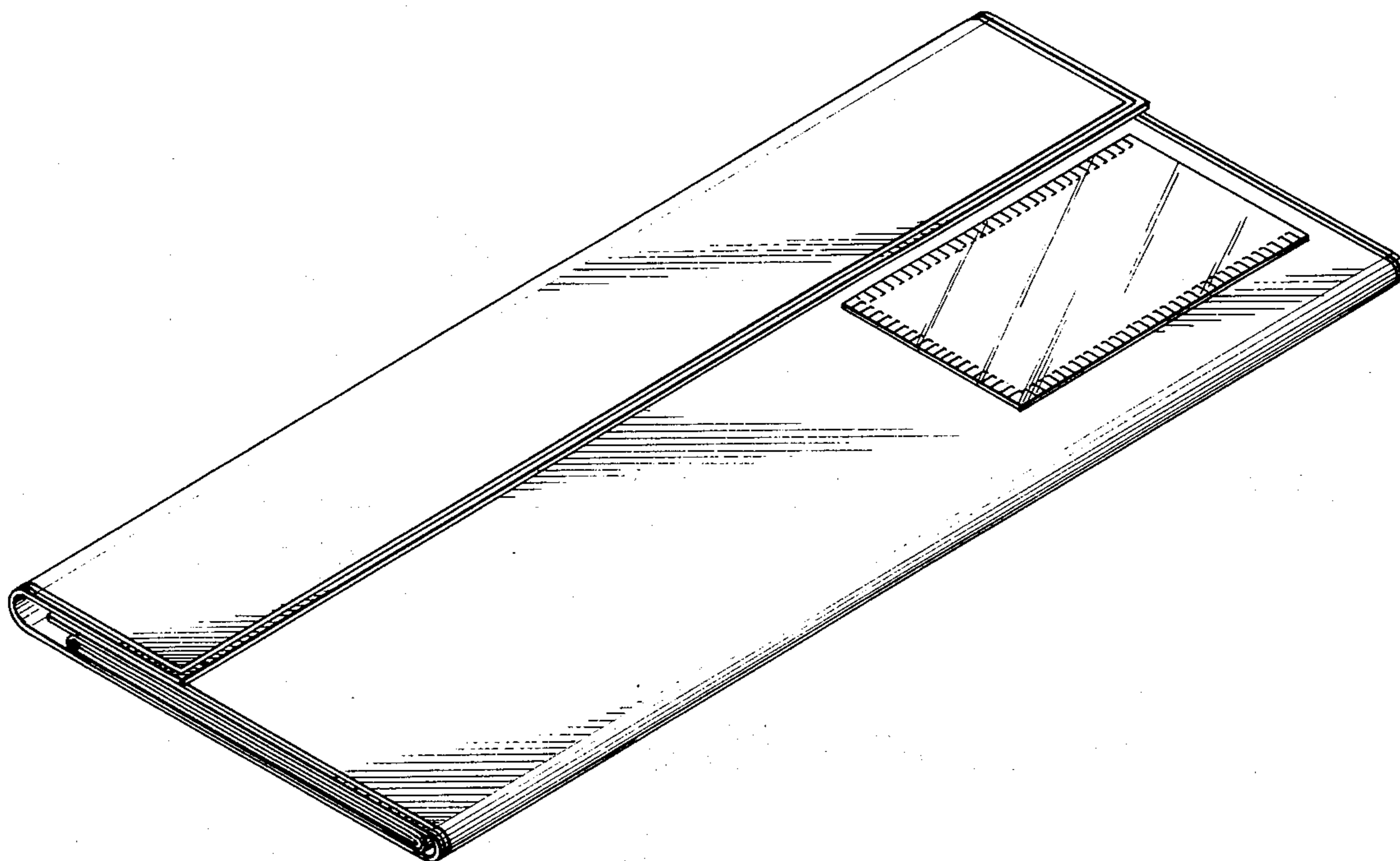
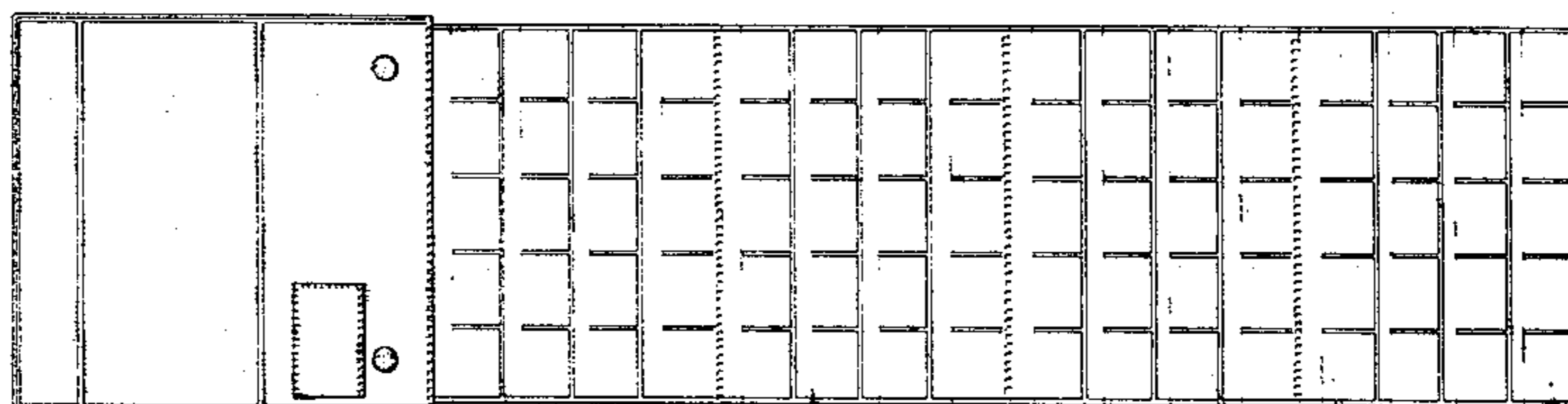


FIG. 1

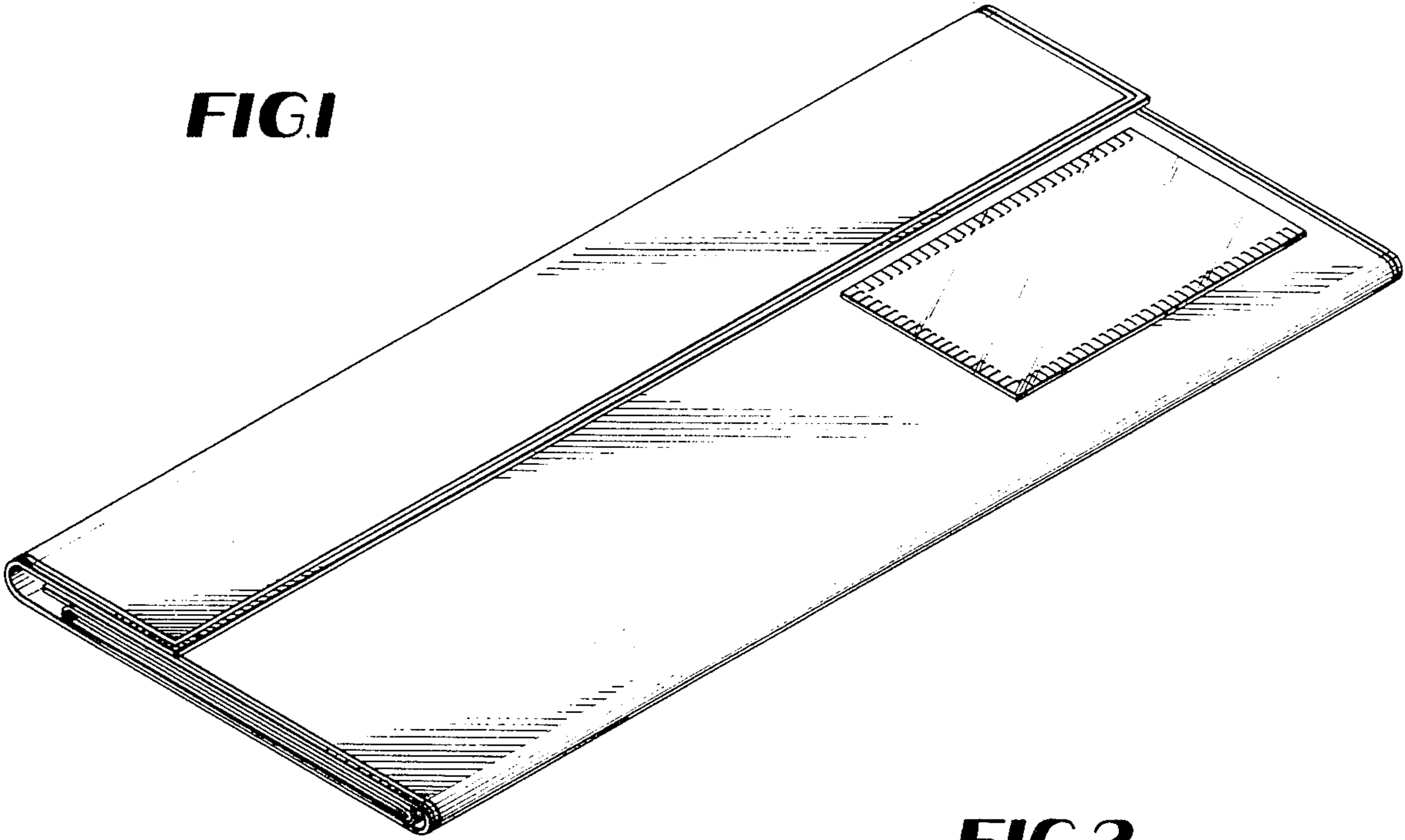


FIG. 2

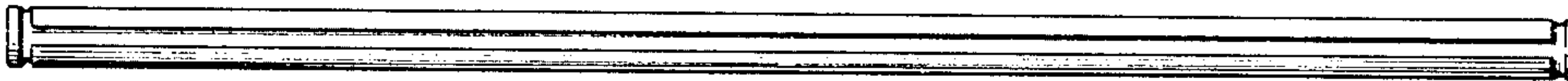
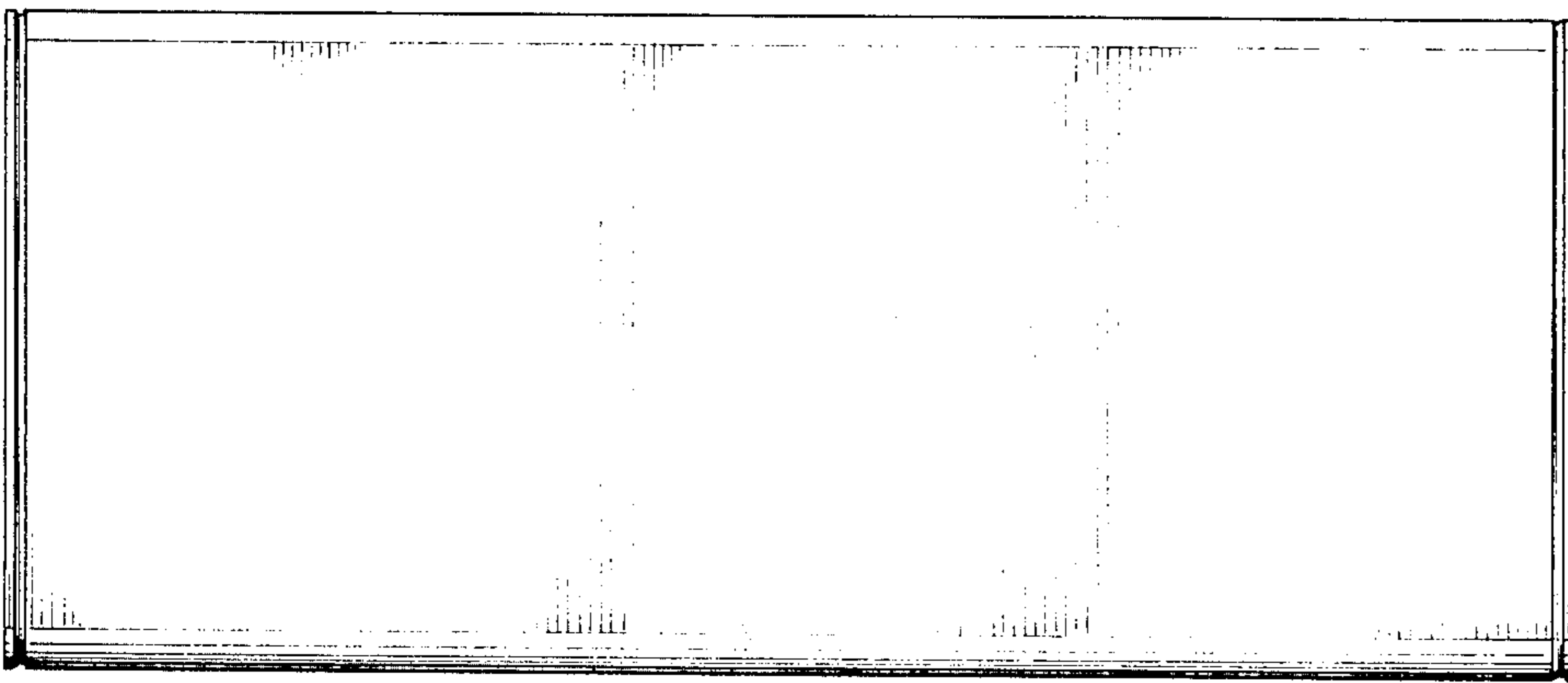


FIG. 3

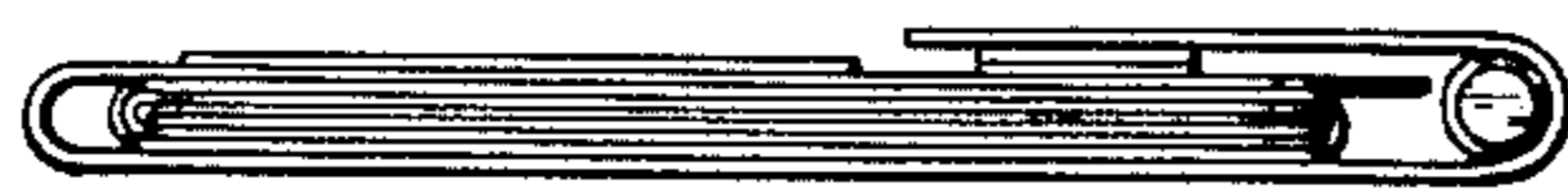


FIG. 4

FIG. 5

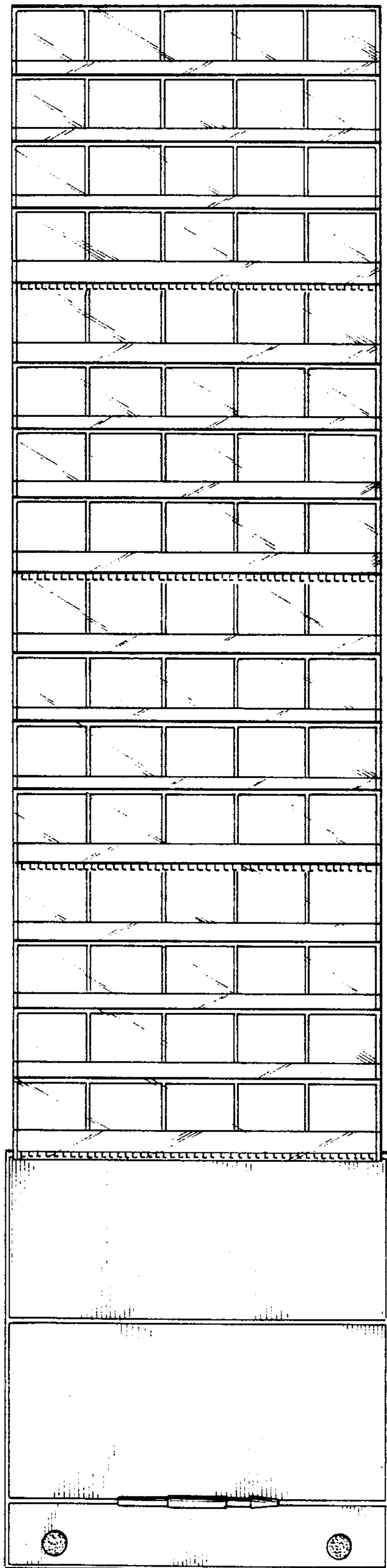


FIG. 6

