

[54] **MINI TRAVEL IRON**

[75] **Inventor: Lam-Kwan Lun, Kowloon, Hong Kong**

[73] **Assignee: Wing Sang Bakelite Electrical Manufactory Limited, Hong Kong, Hong Kong**

[**] **Term: 14 Years**

[21] **Appl. No.: 468,199**

[22] **Filed: Feb. 22, 1983**

[30] **Foreign Application Priority Data**

Dec. 2, 1982 [GB] United Kingdom 1010077
[52] **U.S. Cl. D32/70**
[58] **Field of Search D32/68-72;**
38/71-79, 88-93

[56] **References Cited**

U.S. PATENT DOCUMENTS

D. 221,249 7/1971 Russell D32/70
3,229,392 1/1966 Camilleri 38/90
3,672,080 6/1972 Murphy et al. 38/90

3,718,997 3/1973 Murphy 38/90
3,766,673 10/1973 Harroff 38/90
4,117,612 10/1978 Baumgartner 38/91

OTHER PUBLICATIONS

Sanyo Travel Iron Brochure, dated 7/1981.

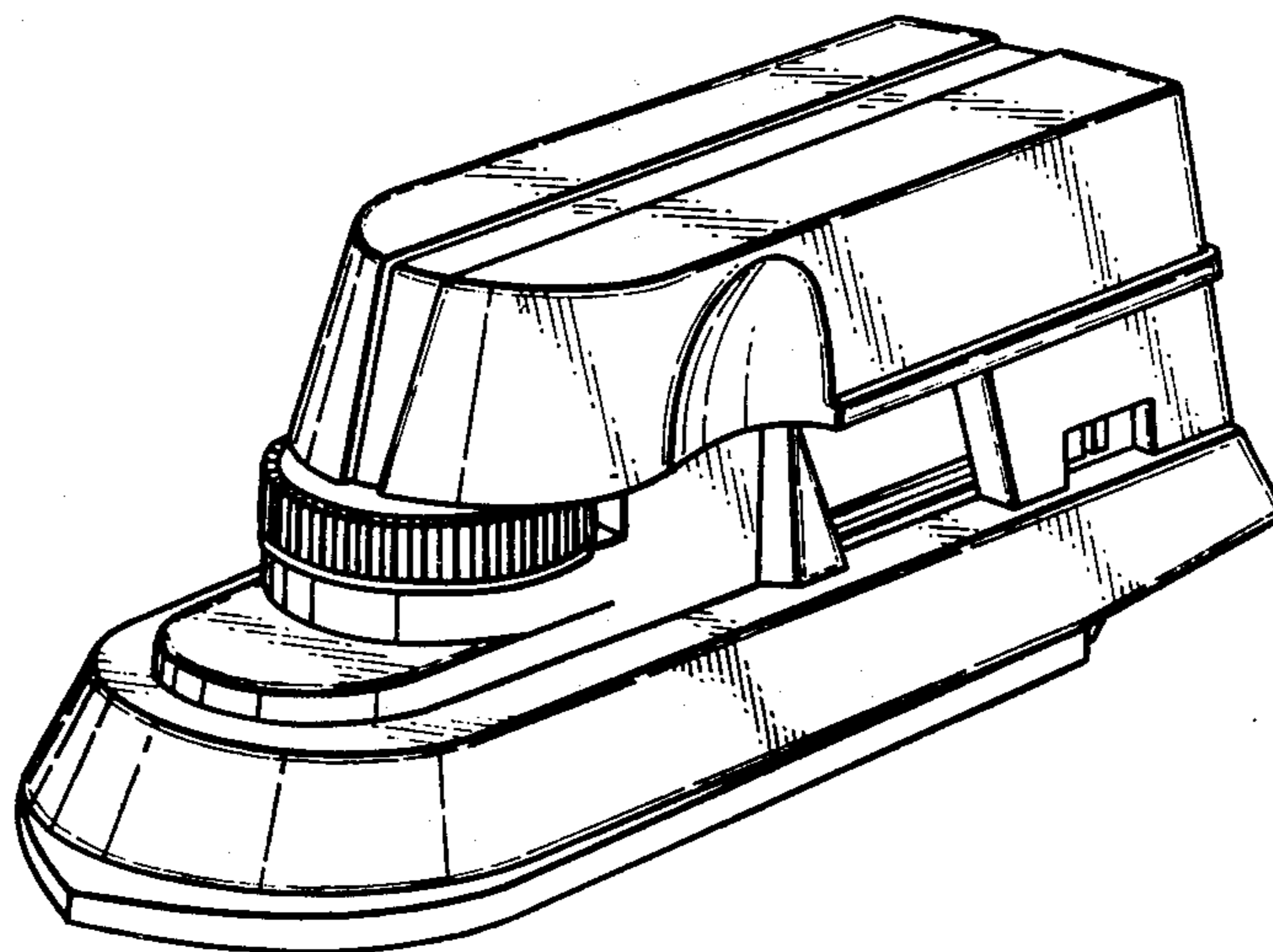
Primary Examiner—Catherine E. Kemper
Attorney, Agent, or Firm—Basile, Weintraub & Hanlon

[57] **CLAIM**

The ornamental design for a mini travel iron, as shown and described.

DESCRIPTION

FIG. 1 is a front elevational view of a mini travel iron, showing my new design;
FIG. 2 is a top plan view thereof;
FIG. 3 is a rear elevational view thereof;
FIG. 4 is a bottom plan view thereof;
FIG. 5 is a side elevational view of the mini travel iron with the handle in the storage position;
FIG. 6 is a front perspective view thereof;
FIG. 7 is a side elevational view of the mini travel iron as shown in FIGS. 1-4;
FIG. 8 is a perspective view thereof.



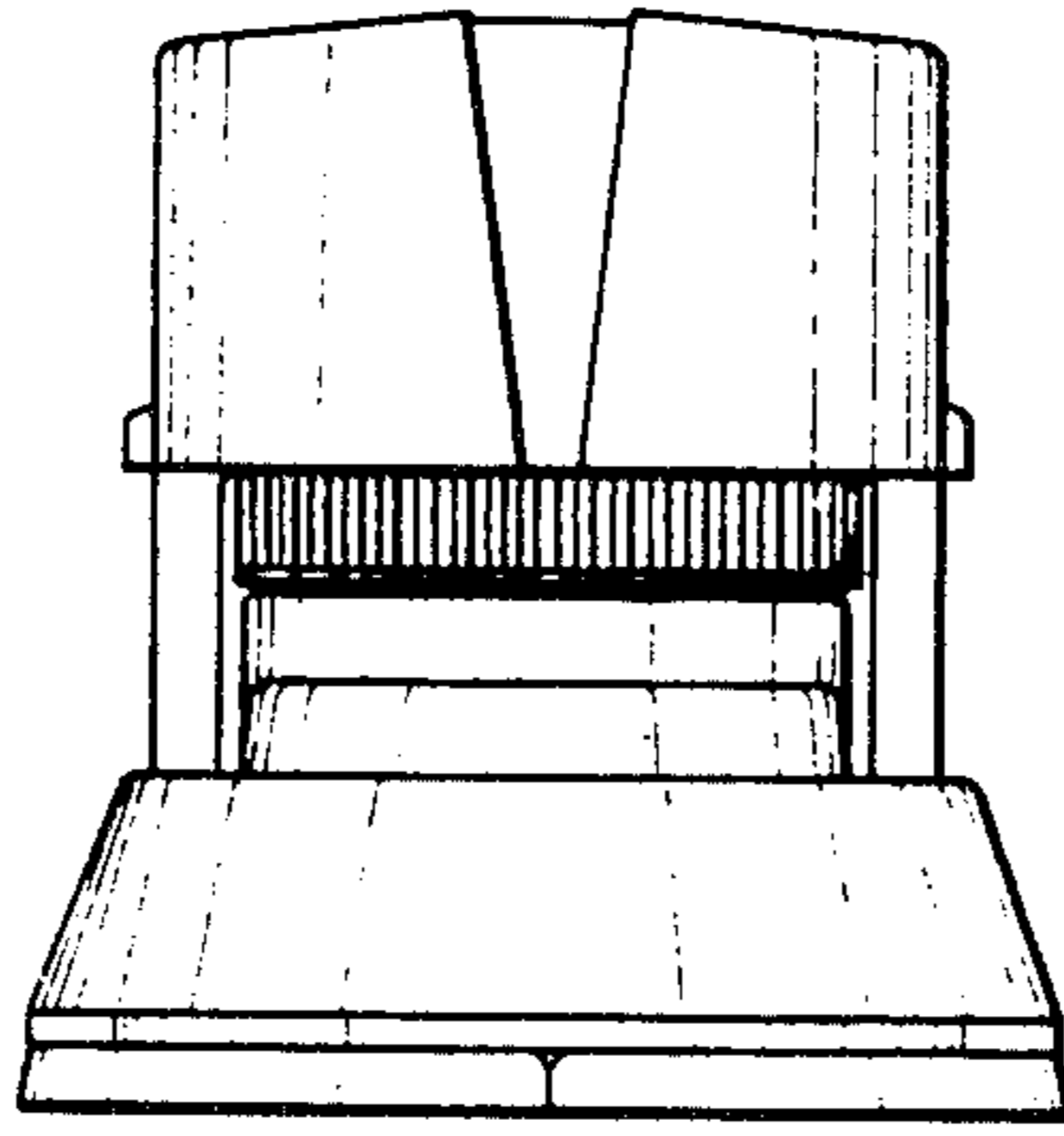


FIG. 1.

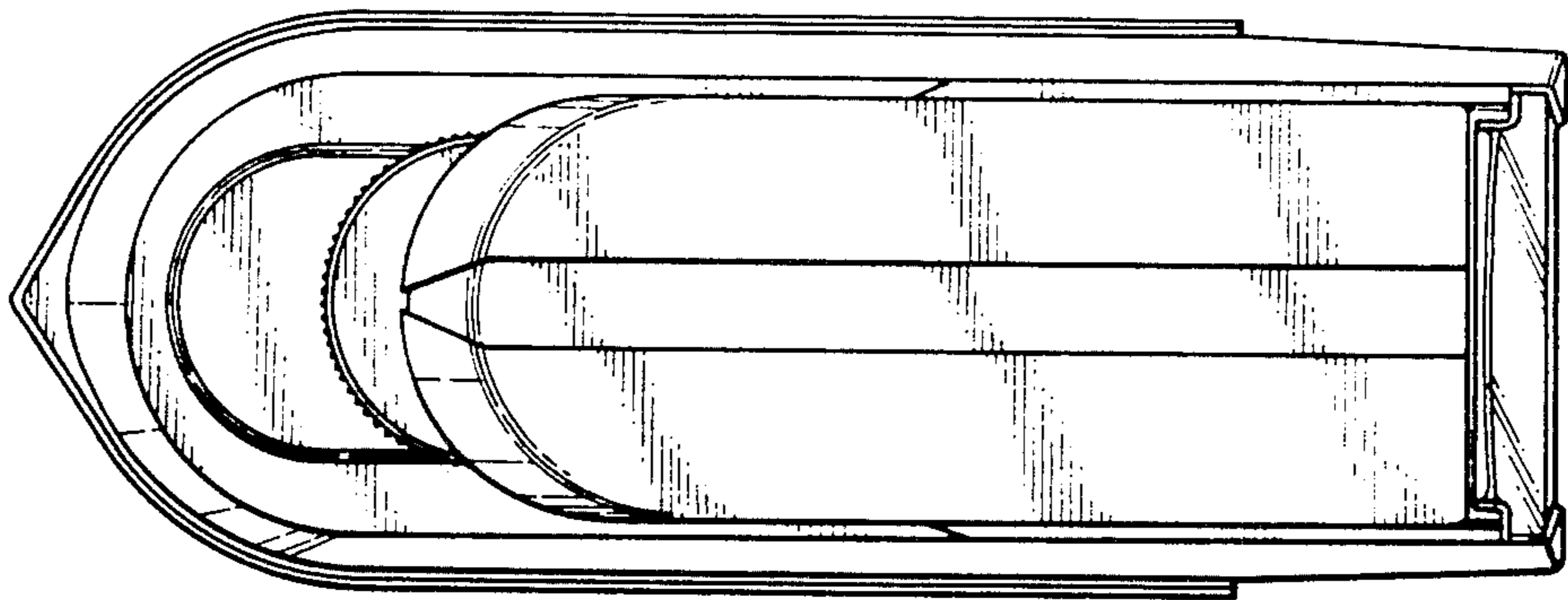


FIG. 2.

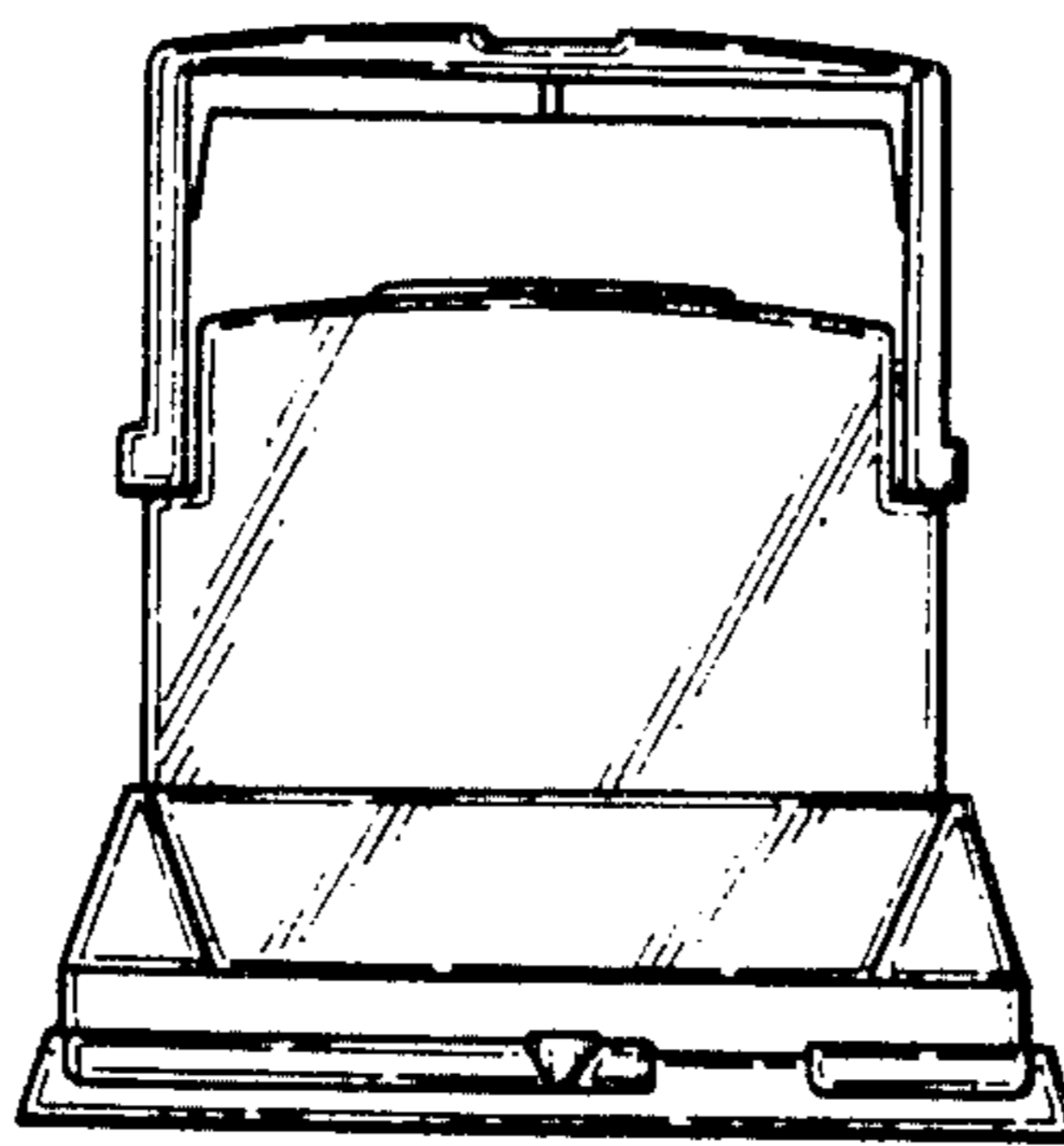


FIG. 3.



FIG. 4.

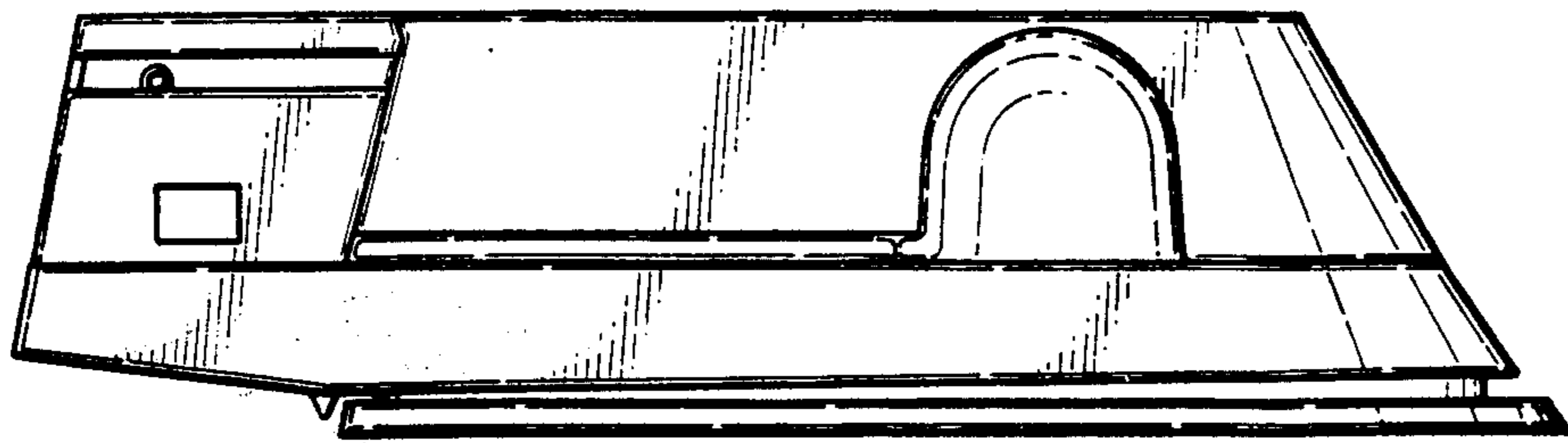


FIG. 5.

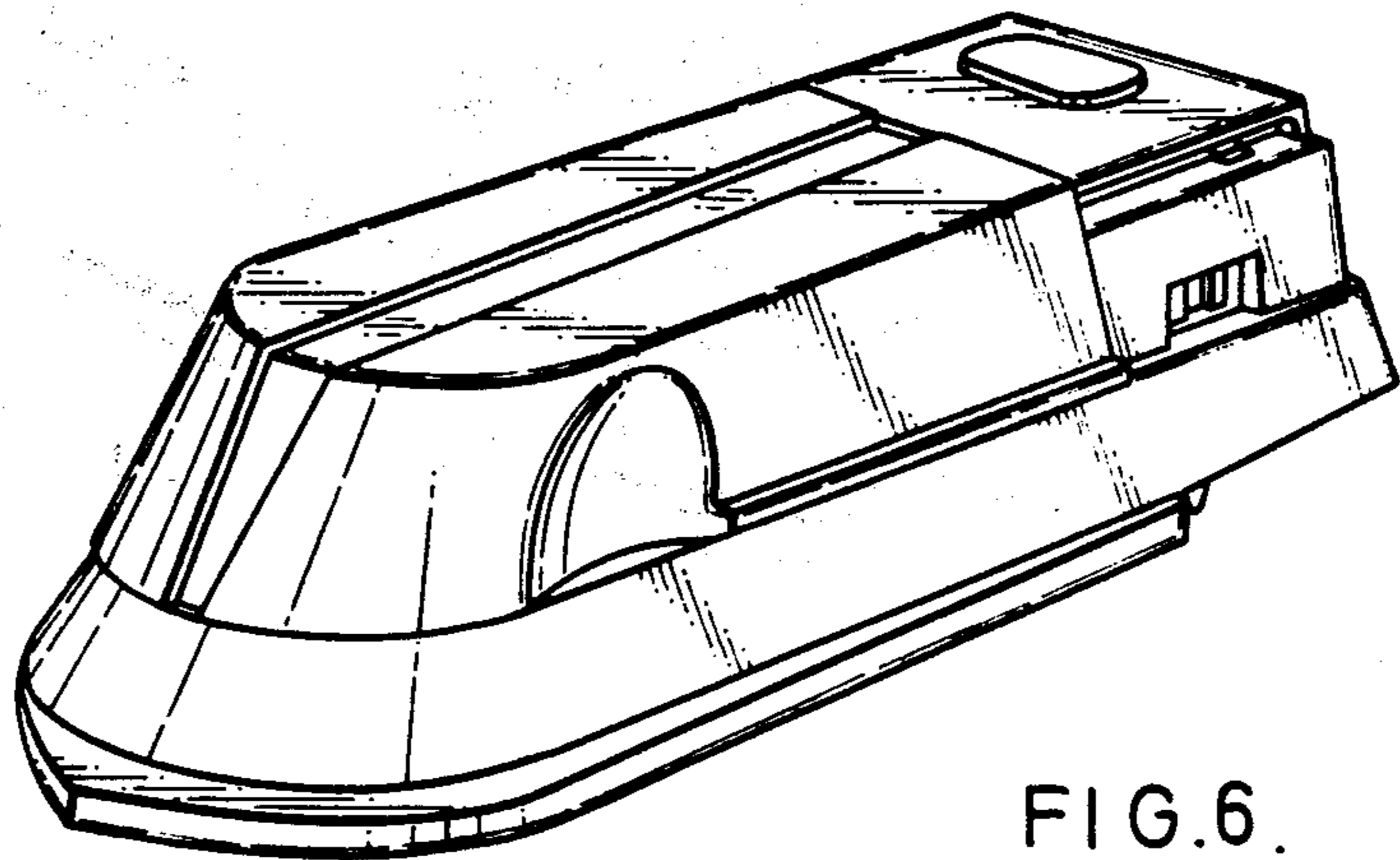


FIG. 6.

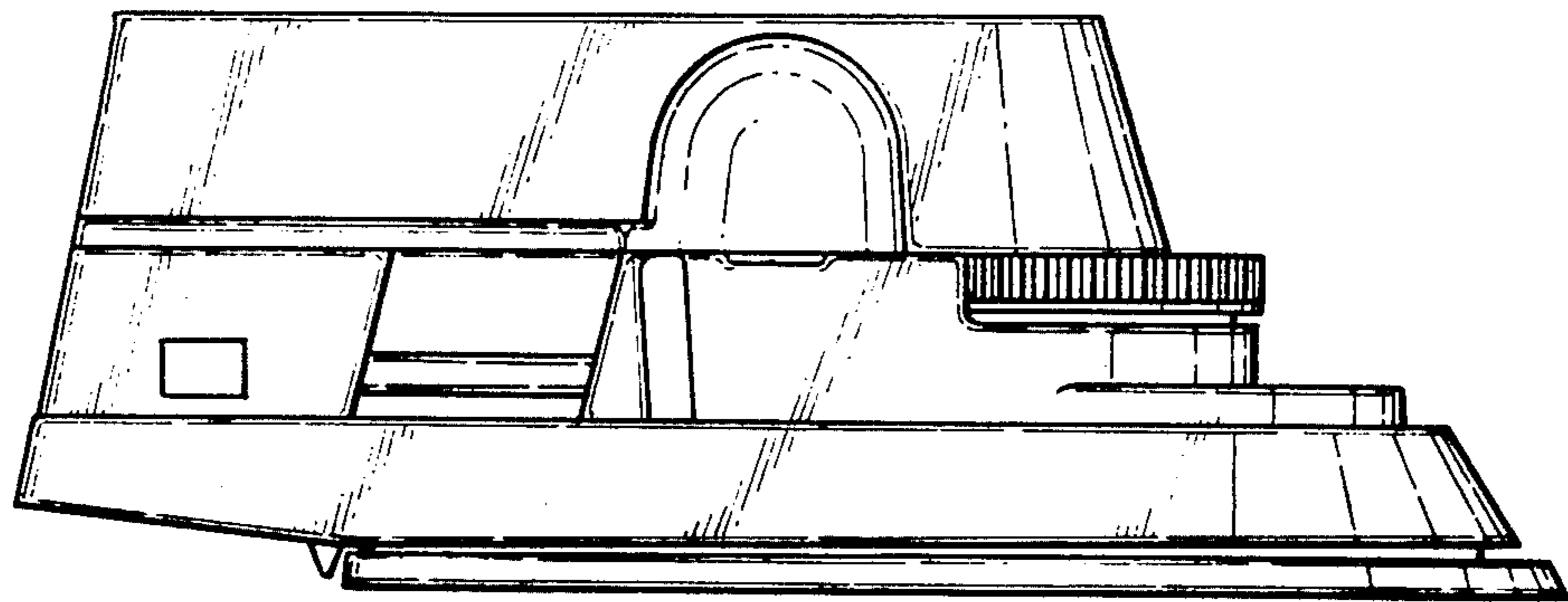


FIG. 7.

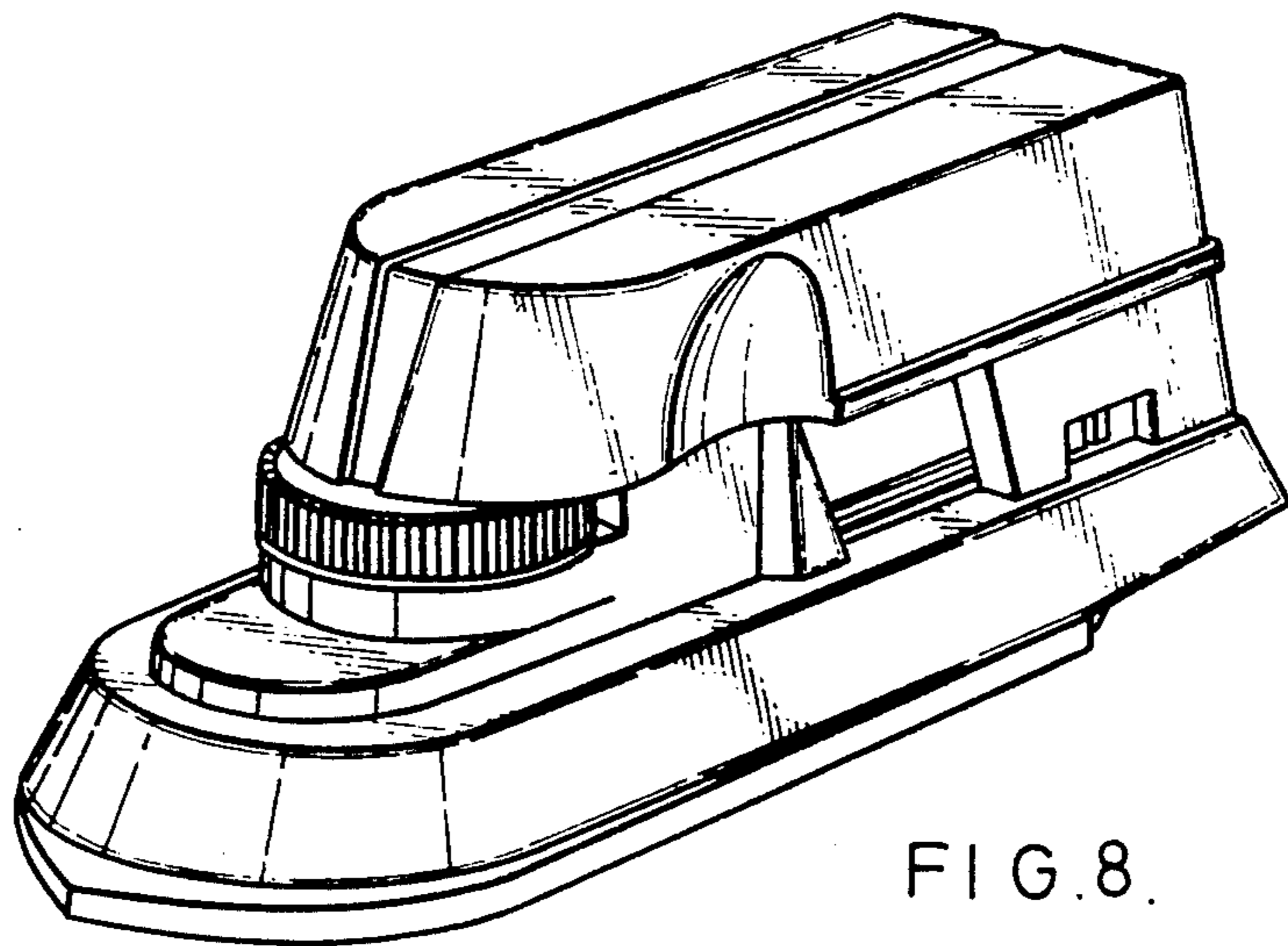


FIG. 8.