

[54] **COMBINED FILTER AND VACUUM HEAD FOR CLEANING UNDERWATER SURFACES**

[76] **Inventor: Kenneth E. Price, 1534 Channelwood Dr., Whittier, Calif. 90601**

[**] **Term: 14 Years**

[21] **Appl. No.: 493,723**

[22] **Filed: May 11, 1983**

Related U.S. Application Data

[62] **Division of Ser. No. 205,873, Nov. 10, 1980, Pat. No. Des. 271,816.**

[52] **U.S. Cl. D32/31; D32/33**

[58] **Field of Search D32/31, 32, 21, 22, D32/17, 18, 20, 30, 33, 24, 34; 15/327 D, 1.7, DIG. 2, 361; 210/169, 416.2**

[56] **References Cited**

U.S. PATENT DOCUMENTS

D. 131,094	1/1942	Carlson	D32/30
D. 142,329	8/1945	Snyder	D32/22
D. 187,124	11/1960	Kelnhofer	D31/22
D. 206,859	2/1967	Polizzi	D32/21
D. 259,936	7/1981	Price	32/32
2,634,702	4/1953	Brown	15/409
3,630,364	11/1971	Johnston	15/409 X
3,795,027	3/1970	Lindberg	15/1.7
4,040,864	8/1977	Steeves	15/1.7
4,145,791	3/1979	Sloan	15/344
4,275,474	6/1981	Woodward	15/1.7

FOREIGN PATENT DOCUMENTS

758796	11/1933	France	15/1.7
1476120	2/1967	France	15/328
216214	6/1964	Sweden	15/1.7
613364	11/1948	United Kingdom	15/409
961828	6/1964	United Kingdom	15/1.7

OTHER PUBLICATIONS

Design 112, Apr. 1958, p. 46, Illustrations of Newmaid Vacuum Sweeper and Bag, Photocopy.
Catalog #41 of Buyers Guide of Electric Appliances,

Illustration lower left page—Hamilton Beach Vacuum Bag.

55 Anniversary Catalog, Clements Mfg. Co., Chicago, Dust Bag No. 9108, p. 19.

Primary Examiner—Susan J. Lucas

Assistant Examiner—Horace B. Fay

Attorney, Agent, or Firm—Christie, Parker & Hale

[57] **CLAIM**

The ornamental design for a combined filter and vacuum head for cleaning underwater surfaces, substantially as shown and described.

DESCRIPTION

FIG. 1 is a left side elevational view of a combined filter and vacuum head for cleaning underwater surfaces showing my new design, a right side elevation view being a mirror image of FIG. 1;

FIG. 2 is a front elevational view thereof;

FIG. 3 is a rear elevational view thereof;

FIG. 4 is a top plan view thereof;

FIG. 5 is a bottom plan view thereof;

FIG. 6 is a left side elevational view of a second embodiment of a combined filter and vacuum head for cleaning underwater surfaces showing my new design, a right side view thereof being a mirror image of FIG. 6;

FIG. 7 is a front elevational view thereof;

FIG. 8 is a rear elevational view thereof;

FIG. 9 is a top plan view thereof;

FIG. 10 is a bottom plan view thereof;

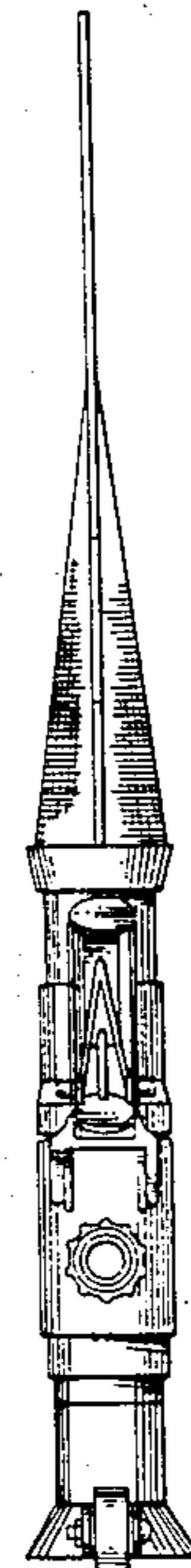
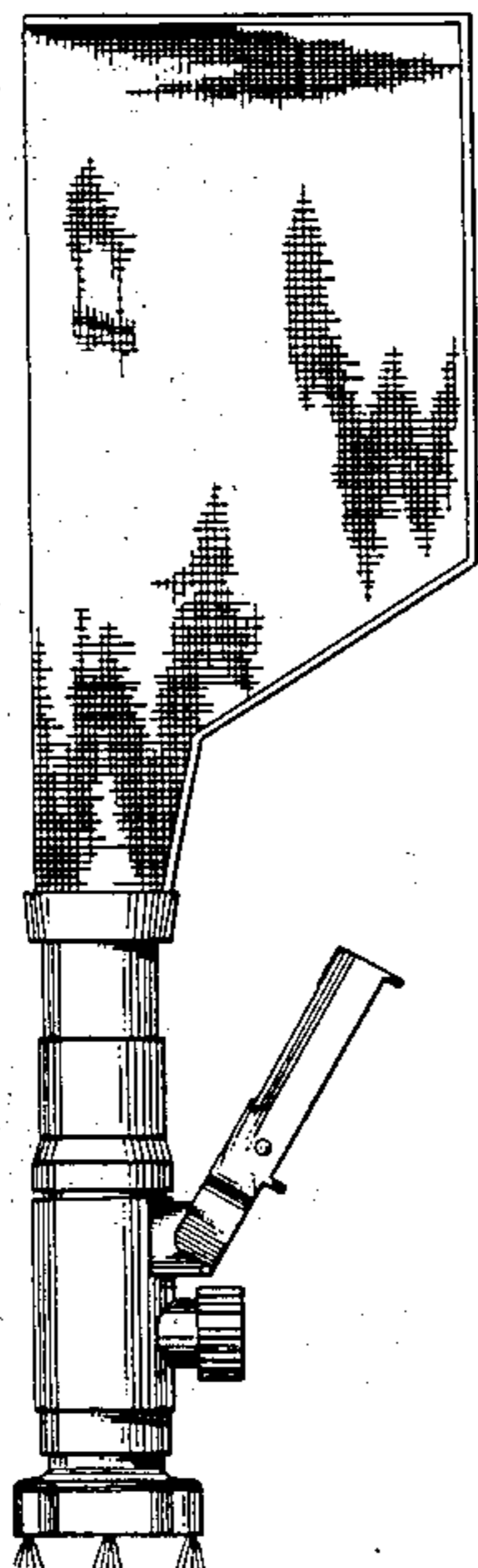
FIG. 11 is a rear elevational view of a third embodiment of a combined filter and vacuum head for cleaning underwater surfaces showing my new design;

FIG. 12 is a top plan view thereof;

FIG. 13 is a bottom plan view thereof;

FIG. 14 is a left side elevational view thereof, a right side elevational view being a mirror image of FIG. 14; and

FIG. 15 is a front elevational view thereof.



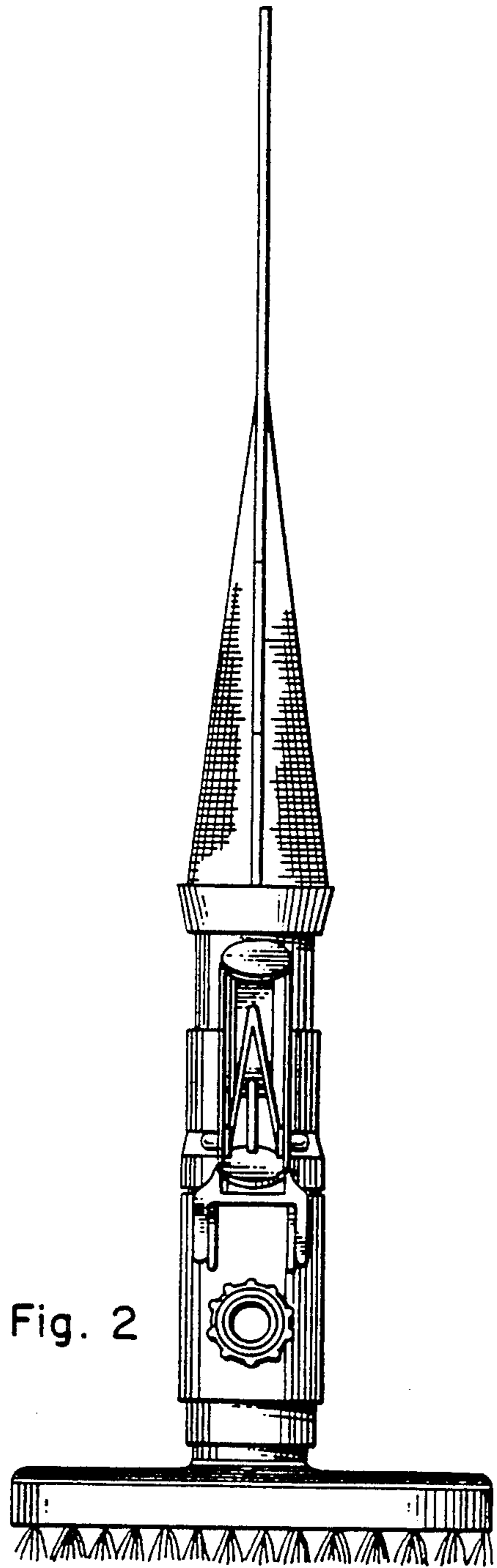
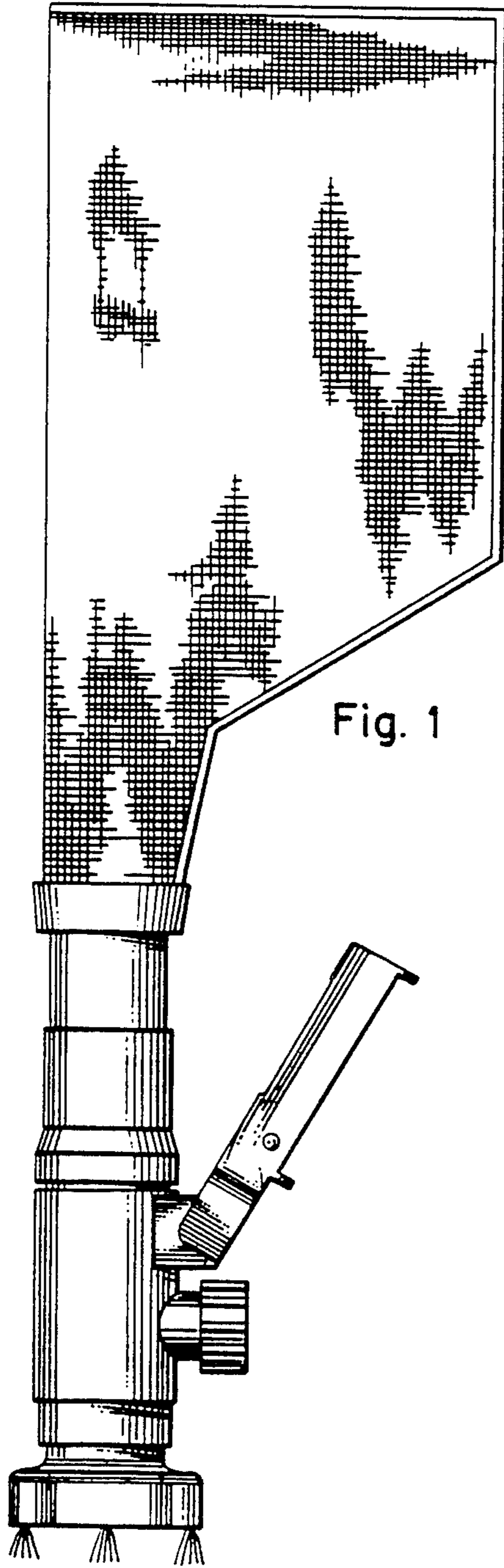


Fig. 3

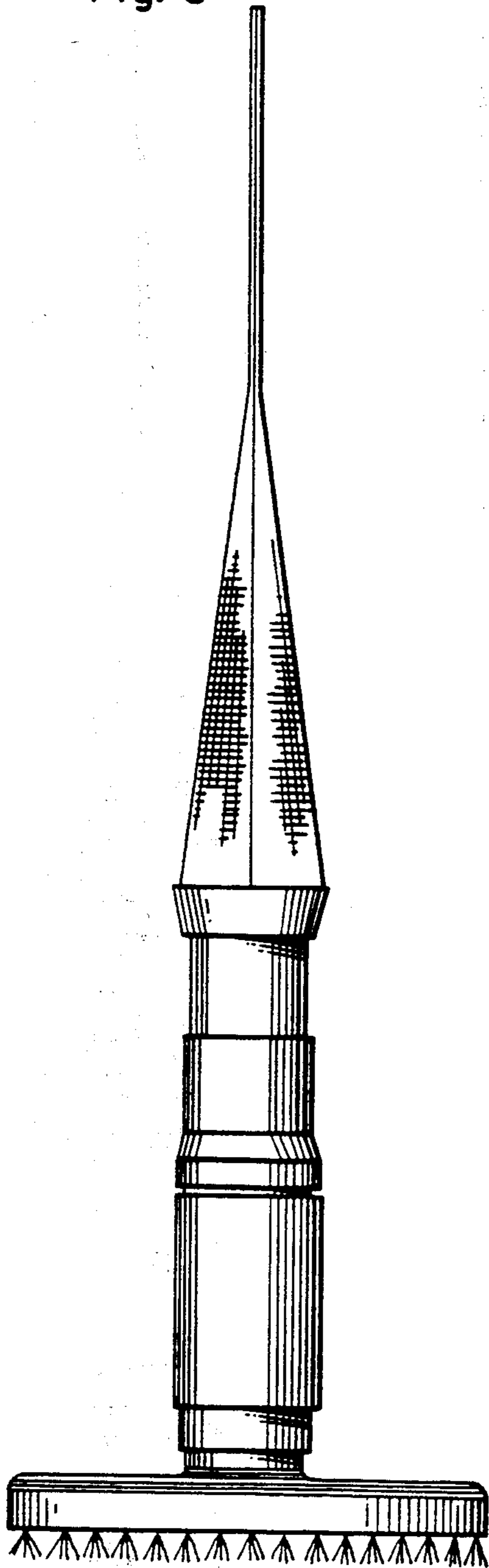


Fig. 4

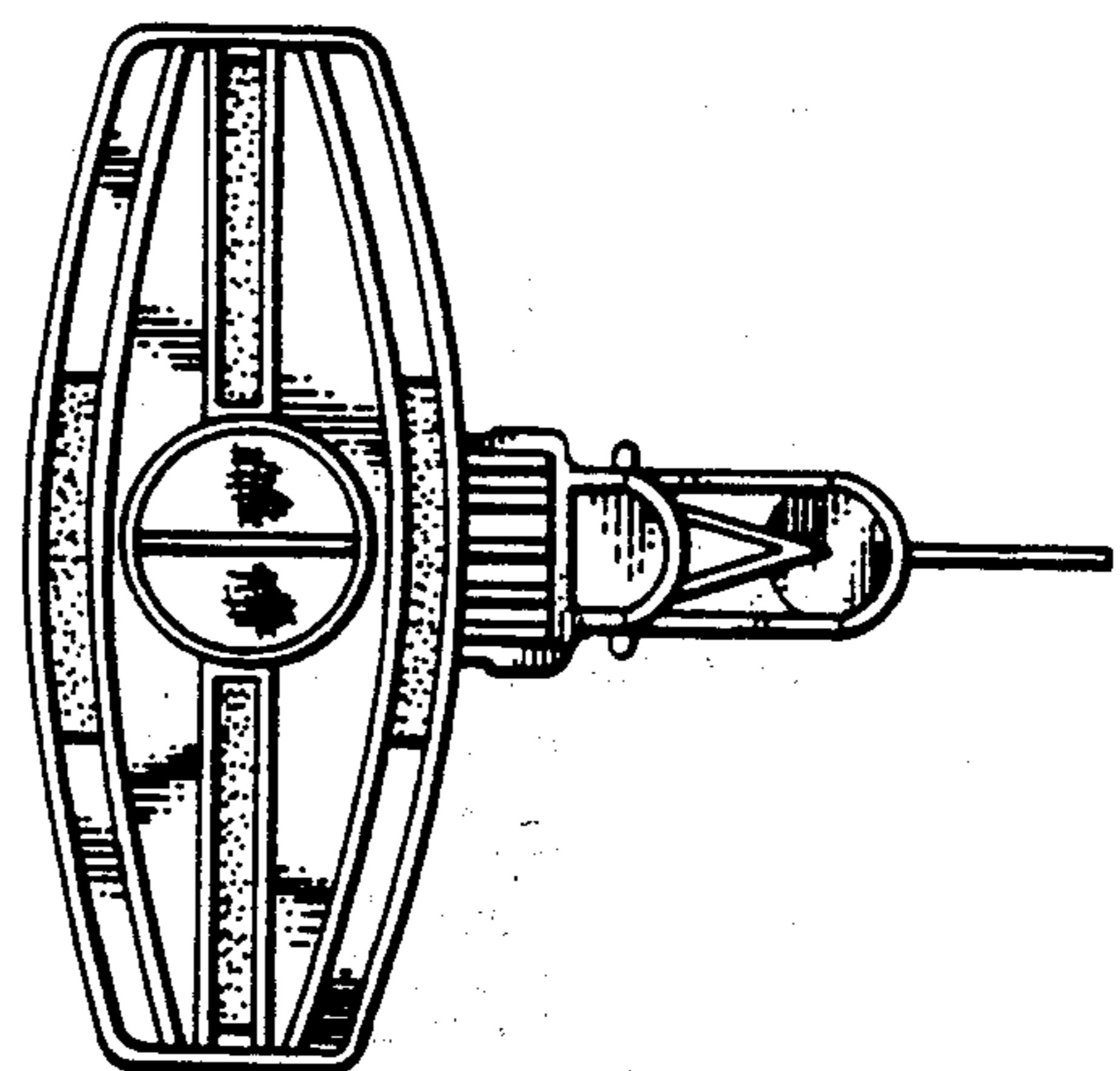
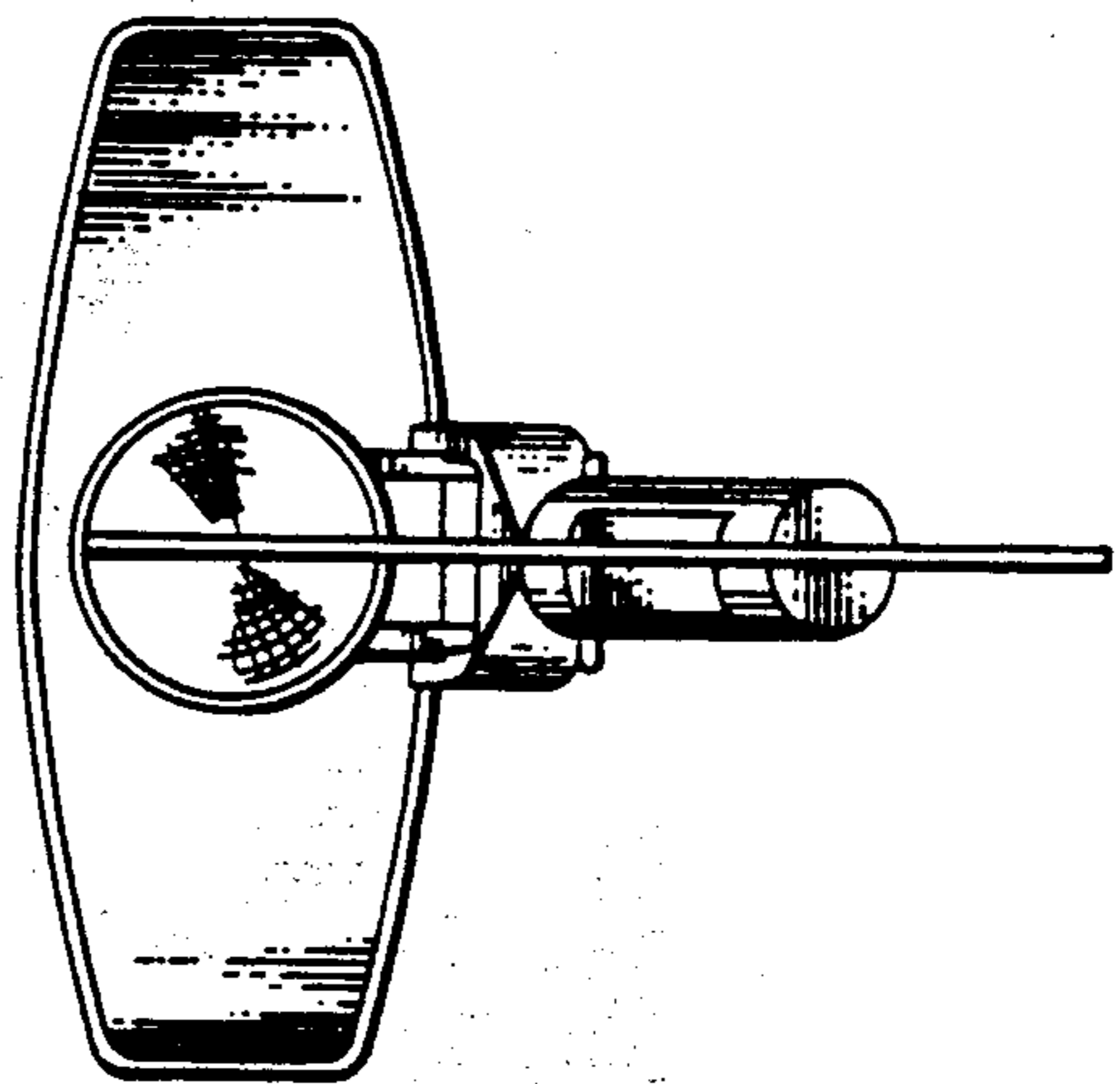


Fig. 5

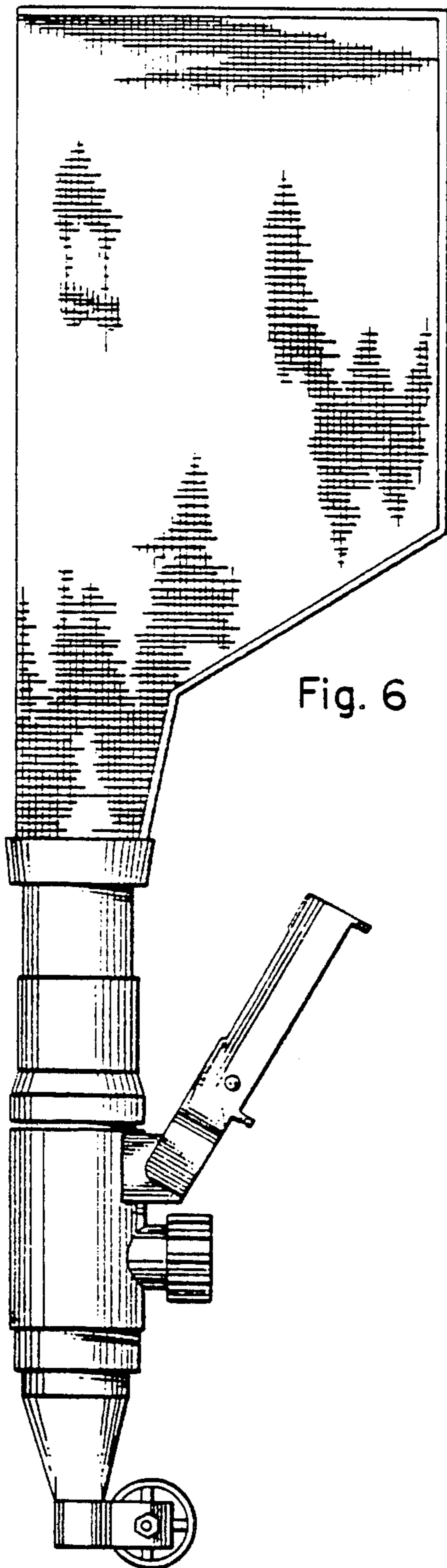


Fig. 6

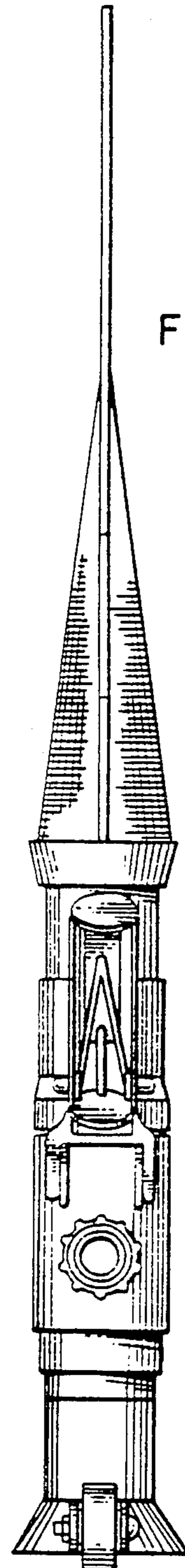


Fig. 7

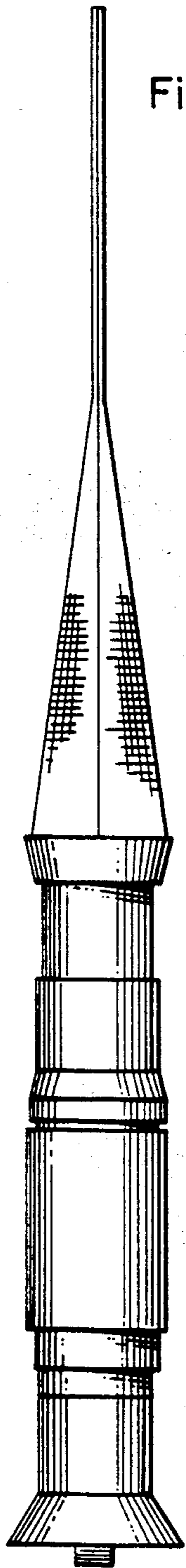


Fig. 8

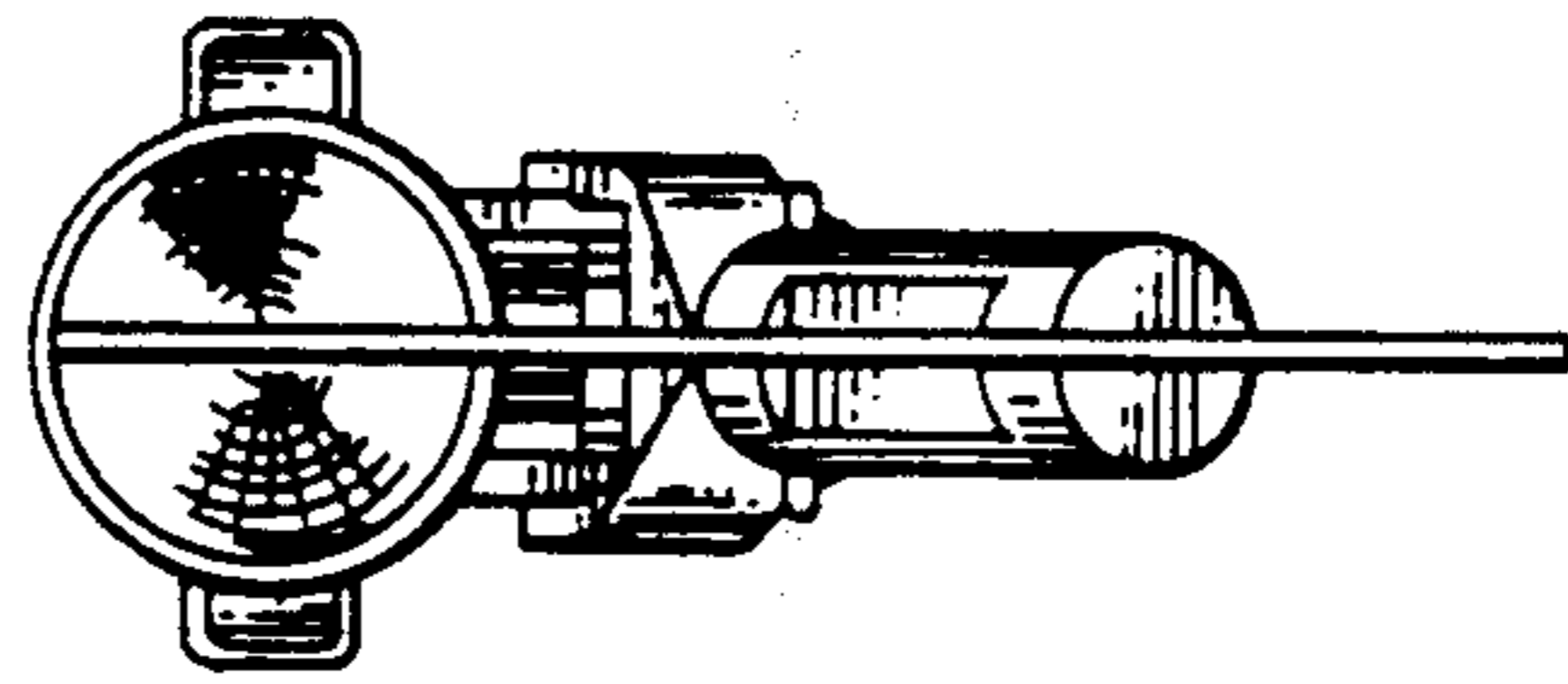


Fig. 9

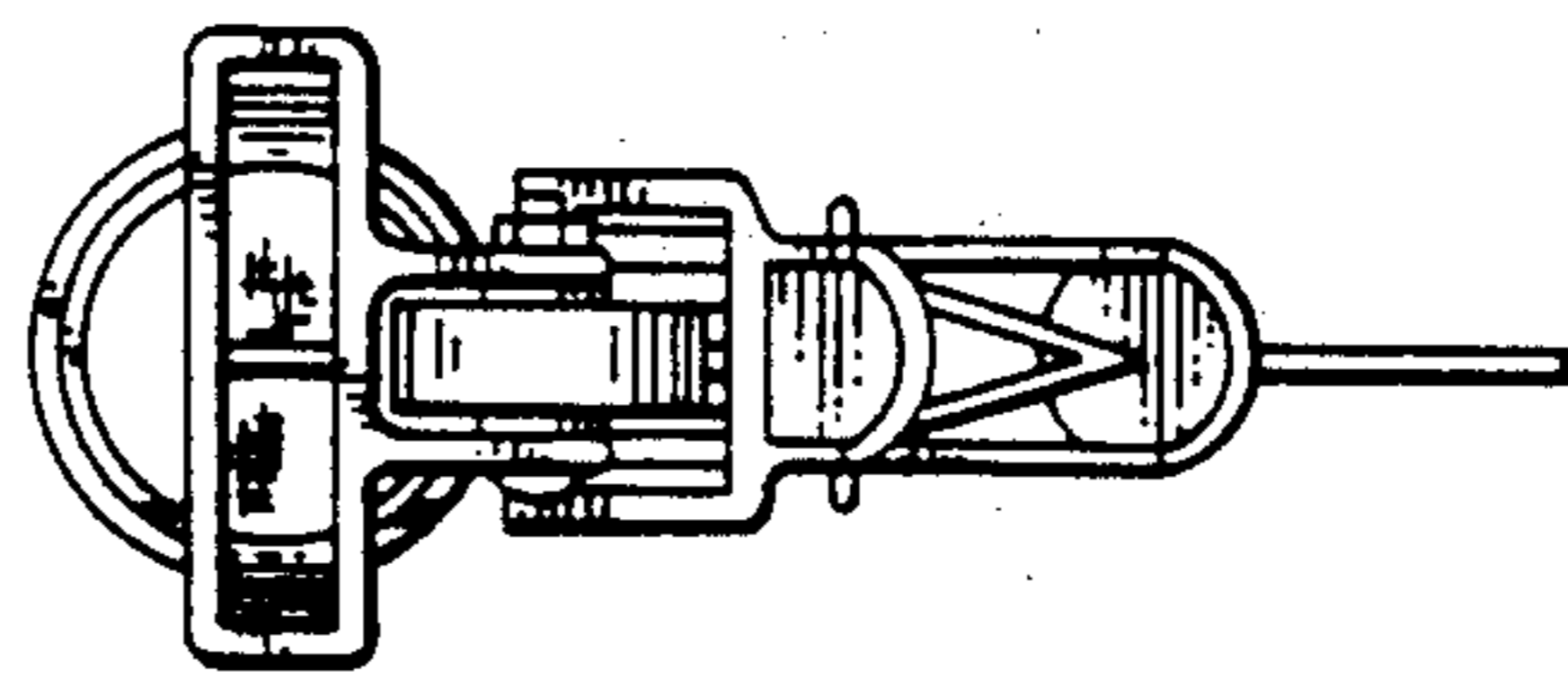


Fig. 10

Fig. 11

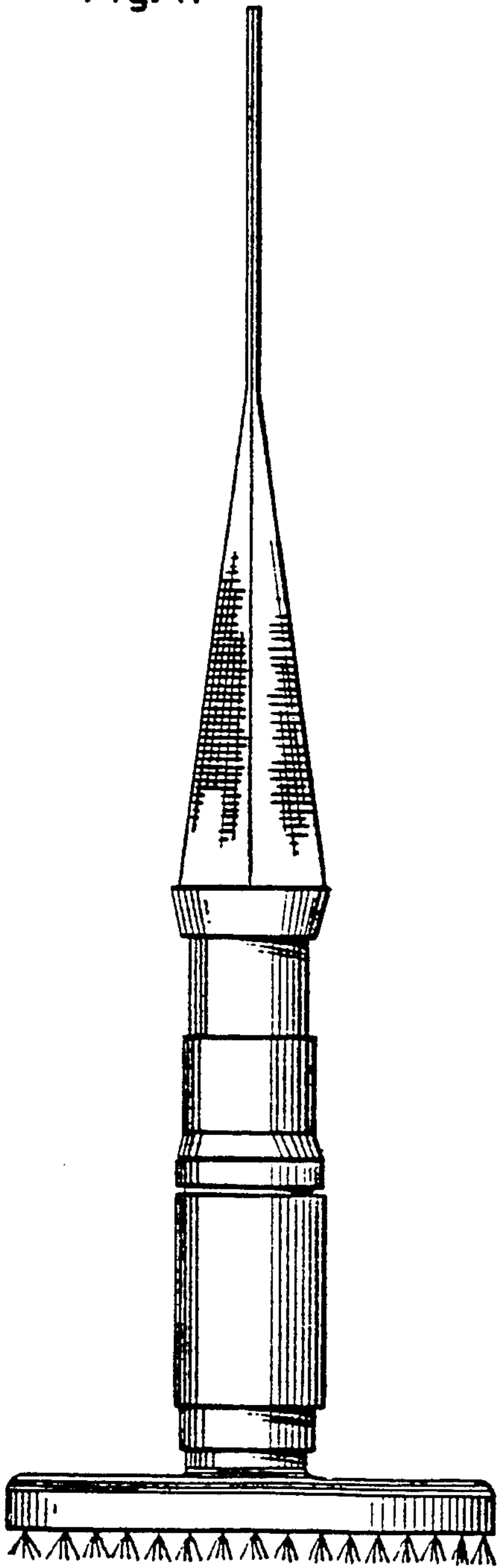


Fig. 12

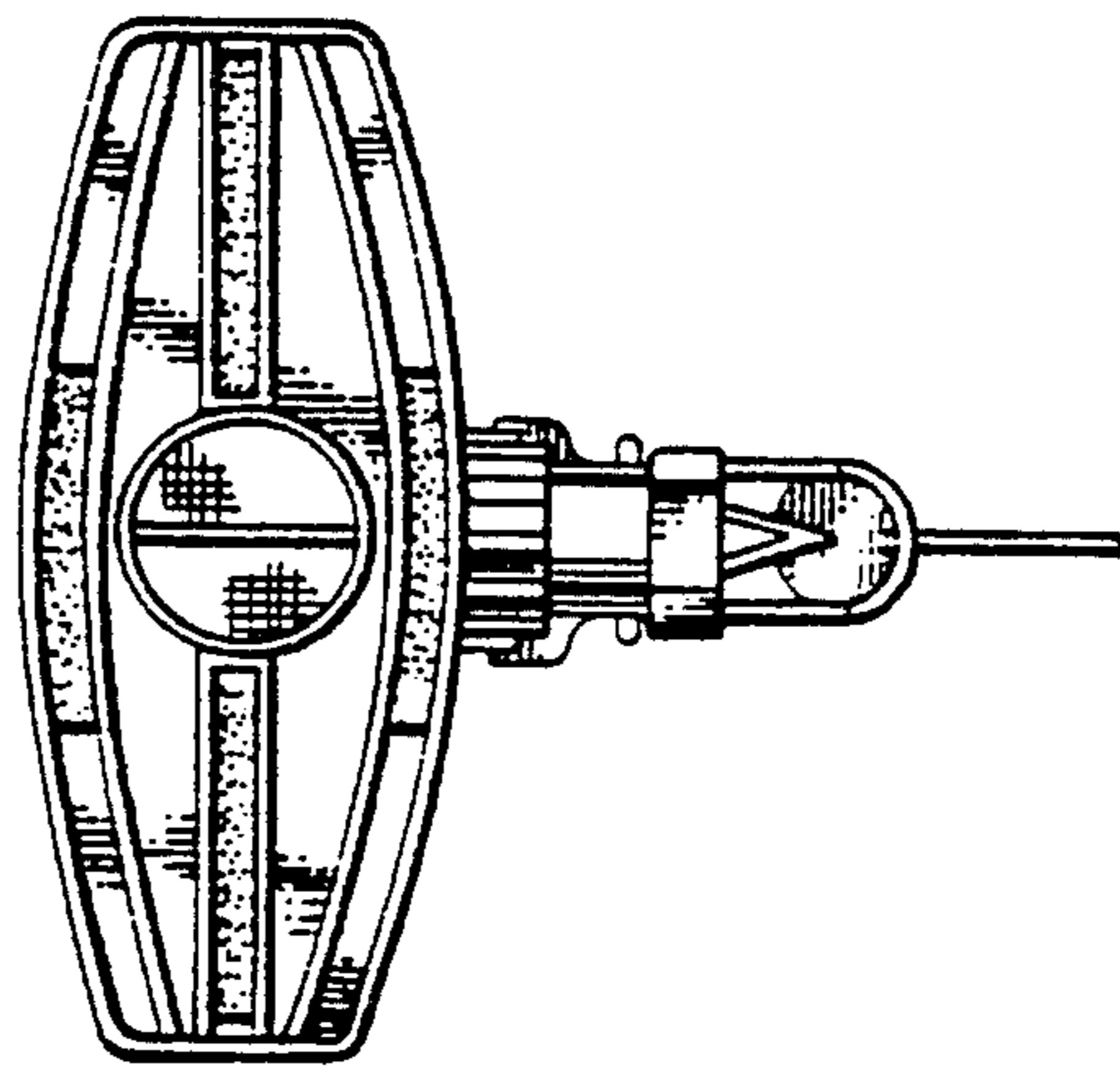
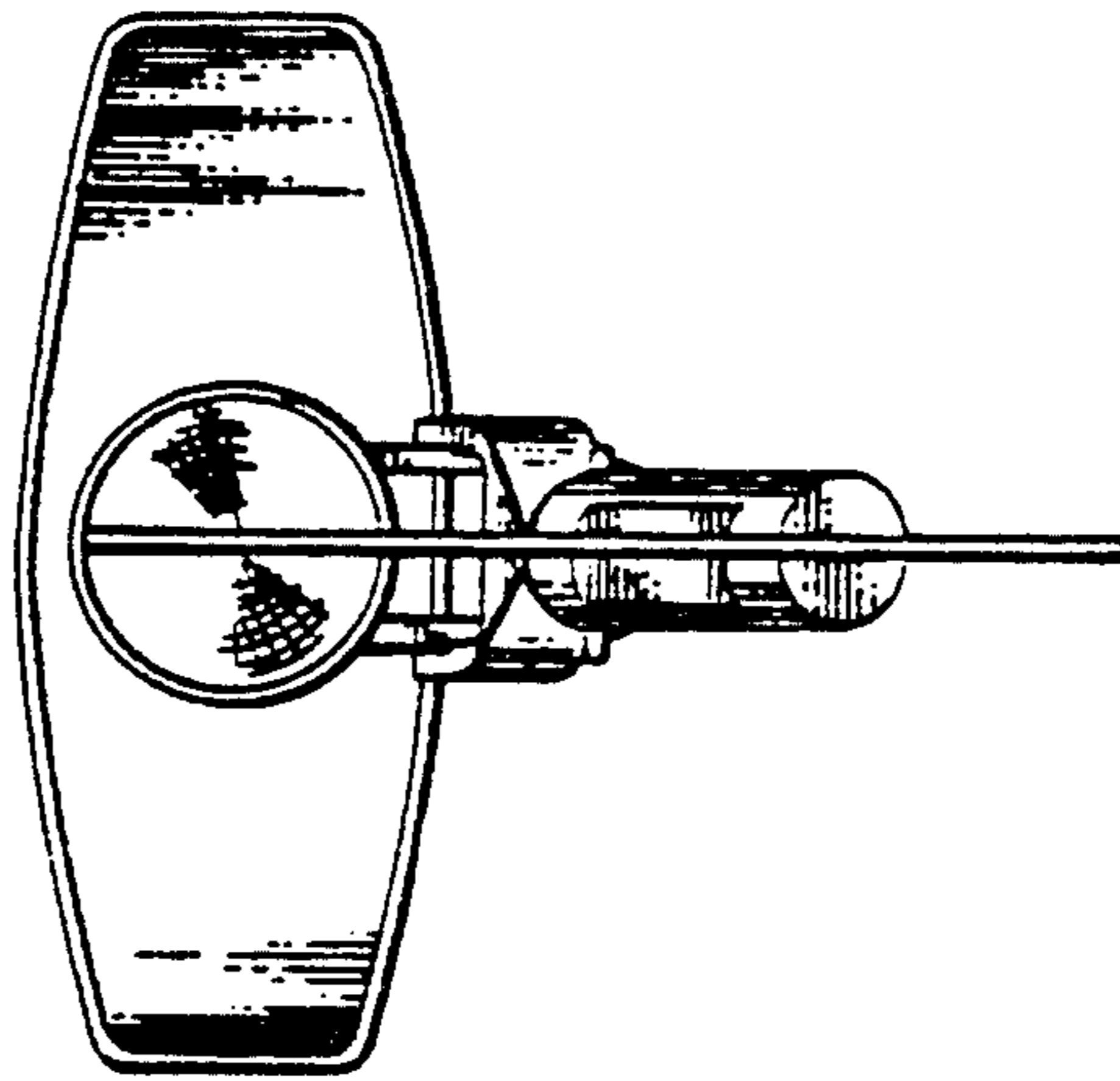


Fig. 13

