

United States Patent [19]

Salmon

[11] Patent Number: **Des. 279,226**

[45] Date of Patent: **** Jun. 11, 1985**

[54] **DISPENSARY CABINET FOR CARPET CLEANERS AND THE LIKE**

[75] Inventor: **Anthony Salmon, Toronto, Canada**

[73] Assignee: **Salmon Sanitation Market Place Inc., Mississauga, Canada**

[**] Term: **14 Years**

[21] Appl. No.: **370,279**

[22] Filed: **Apr. 20, 1982**

[30] **Foreign Application Priority Data**

Oct. 28, 1981 [CA] Canada 28-10-81-2
[52] U.S. Cl. **D32/1; D32/21**
[58] Field of Search D32/1, 30, 31, 25, 21,
D32/23, 45; 15/321, 352, 353

[56] **References Cited**

U.S. PATENT DOCUMENTS

D. 150,740 8/1948 Vogel D32/1
D. 190,112 4/1961 Petersen D32/21

D. 257,774 1/1981 Pierson D32/21
3,883,301 5/1975 Emrick et al. 15/321
4,307,484 12/1981 Williams 15/321

Primary Examiner—Wallace R. Burke

Assistant Examiner—Lynn Wilder

Attorney, Agent, or Firm—Charles A. Brown; Charles E. Brown

[57] **CLAIM**

The ornamental design for a dispensary cabinet for carpet cleaners and the like, as shown.

DESCRIPTION

FIG. 1 is a top front perspective view of a dispensary cabinet for carpet cleaners and the like showing my new design;

FIG. 2 is a top rear perspective thereof;

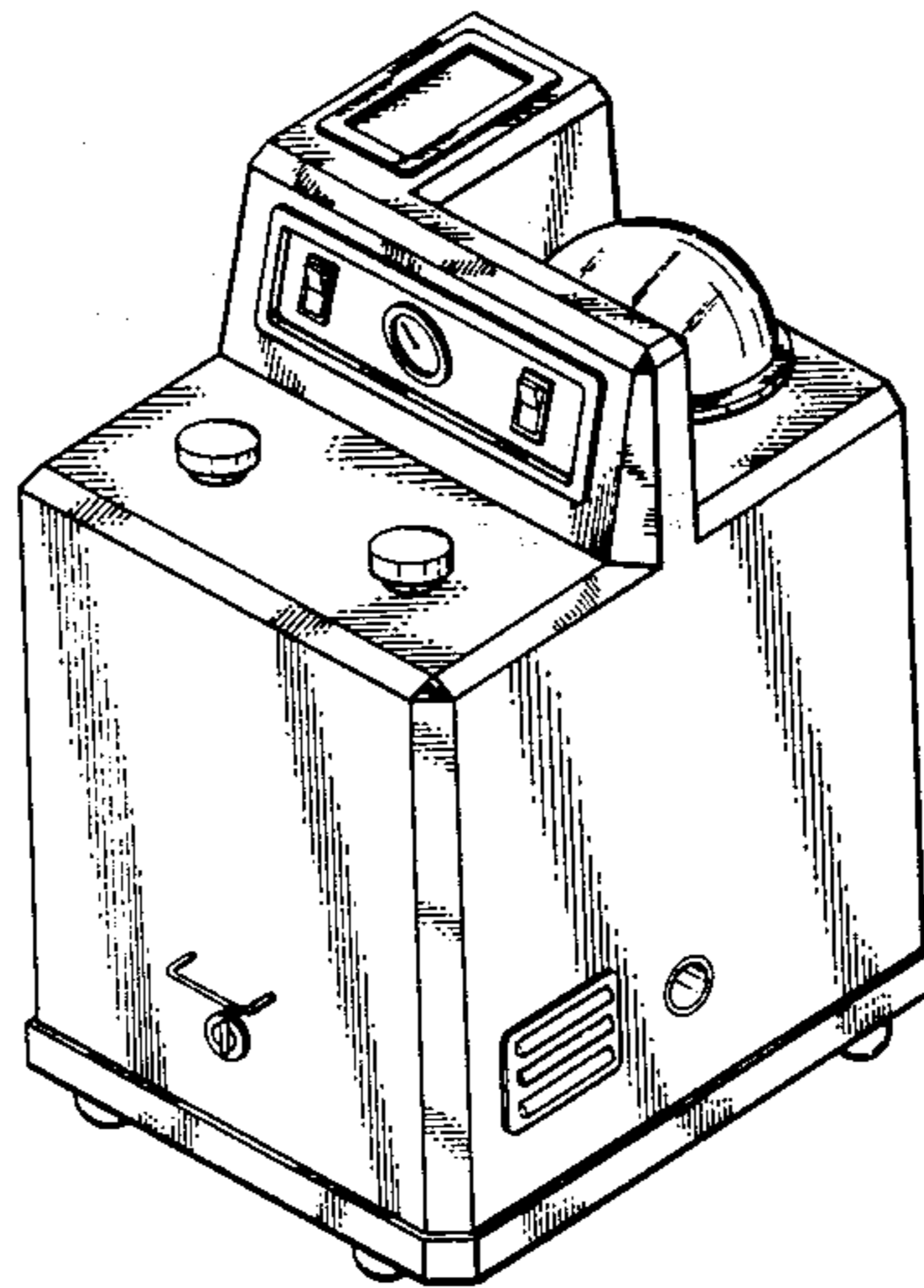
FIG. 3 is a top plan view thereof;

FIG. 4 is a front elevational view thereof;

FIG. 5 is a rear elevational view thereof;

FIG. 6 is a right side elevational view thereof; and

FIG. 7 is a left side elevational view thereof.



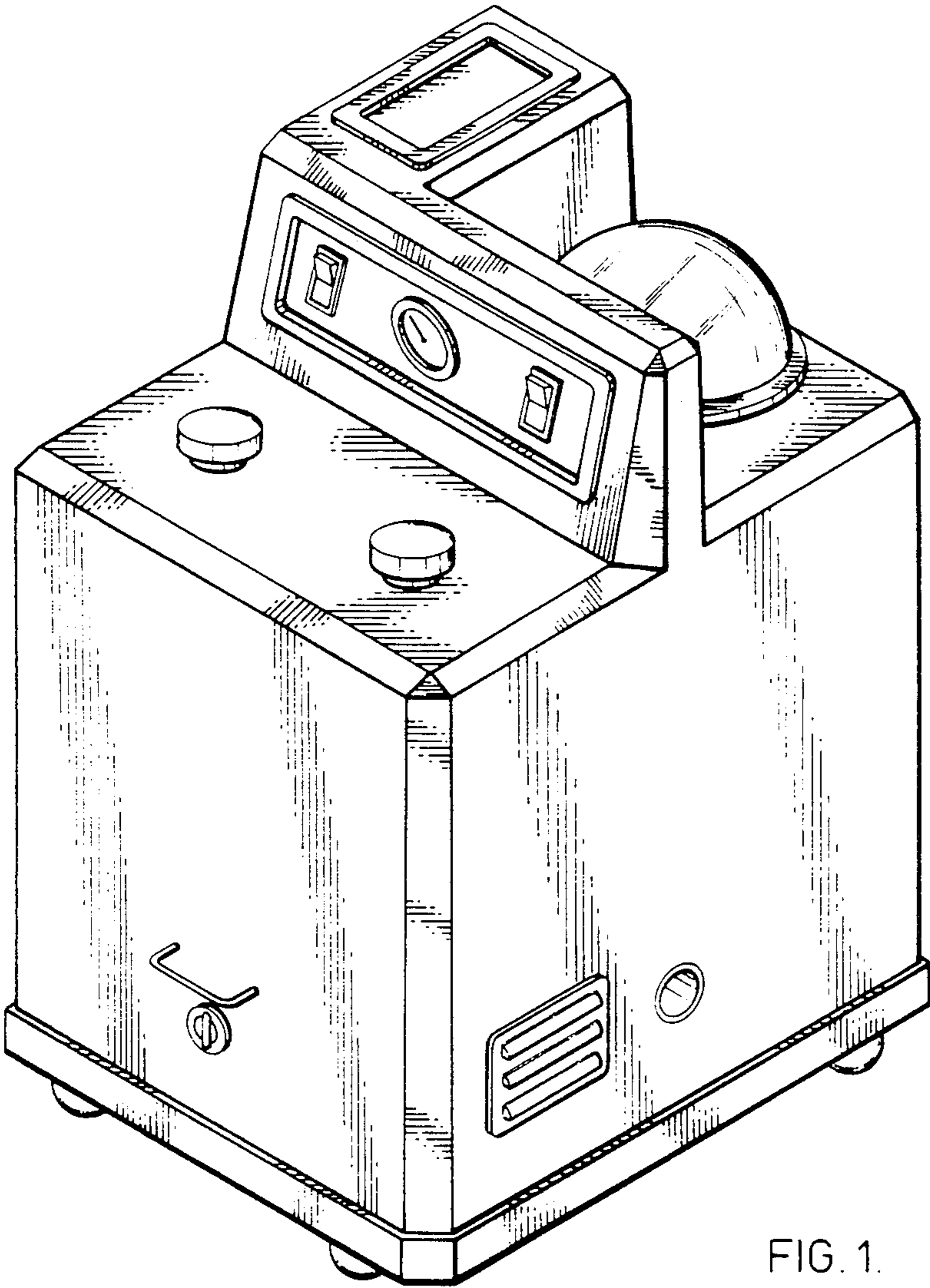


FIG. 1.

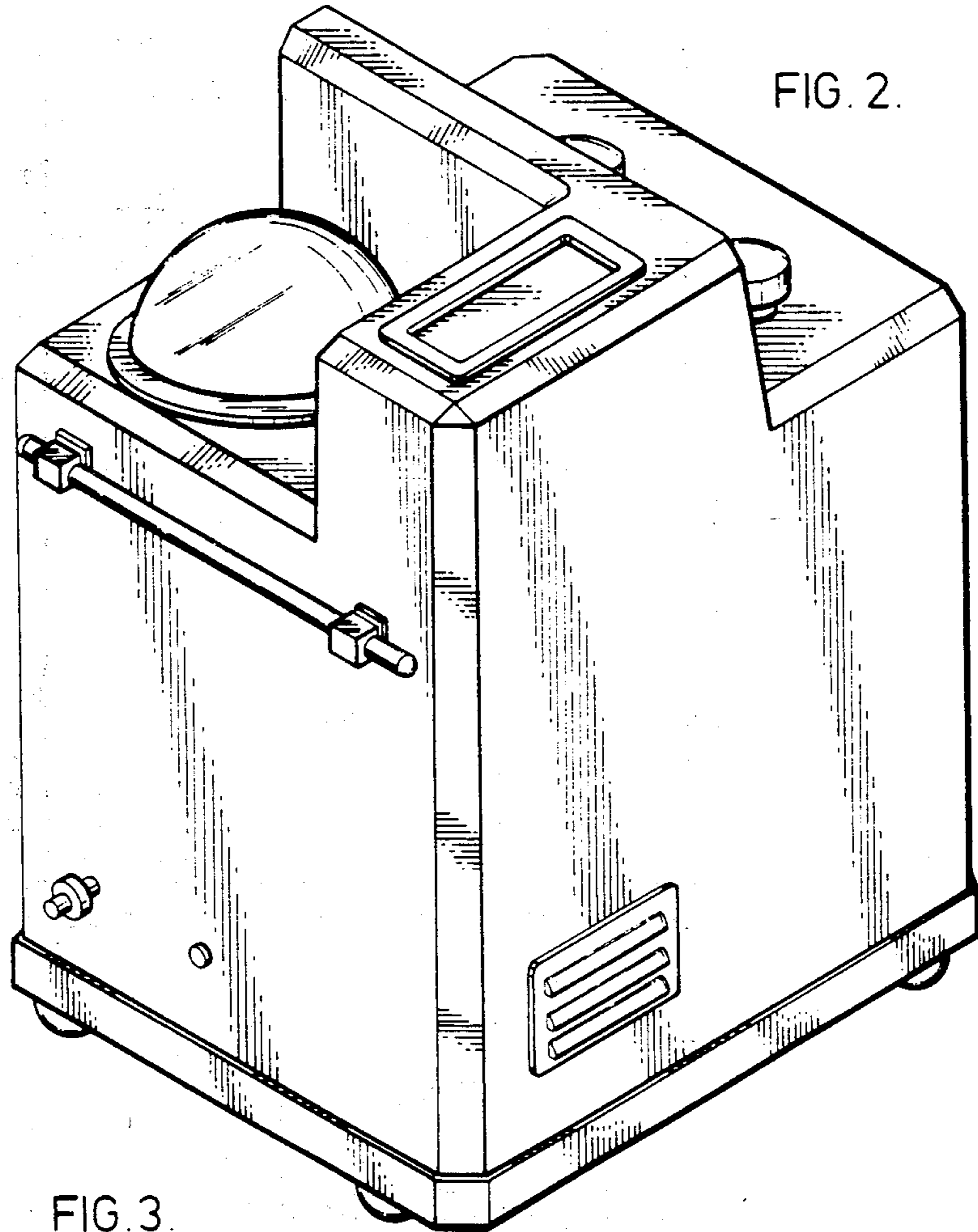
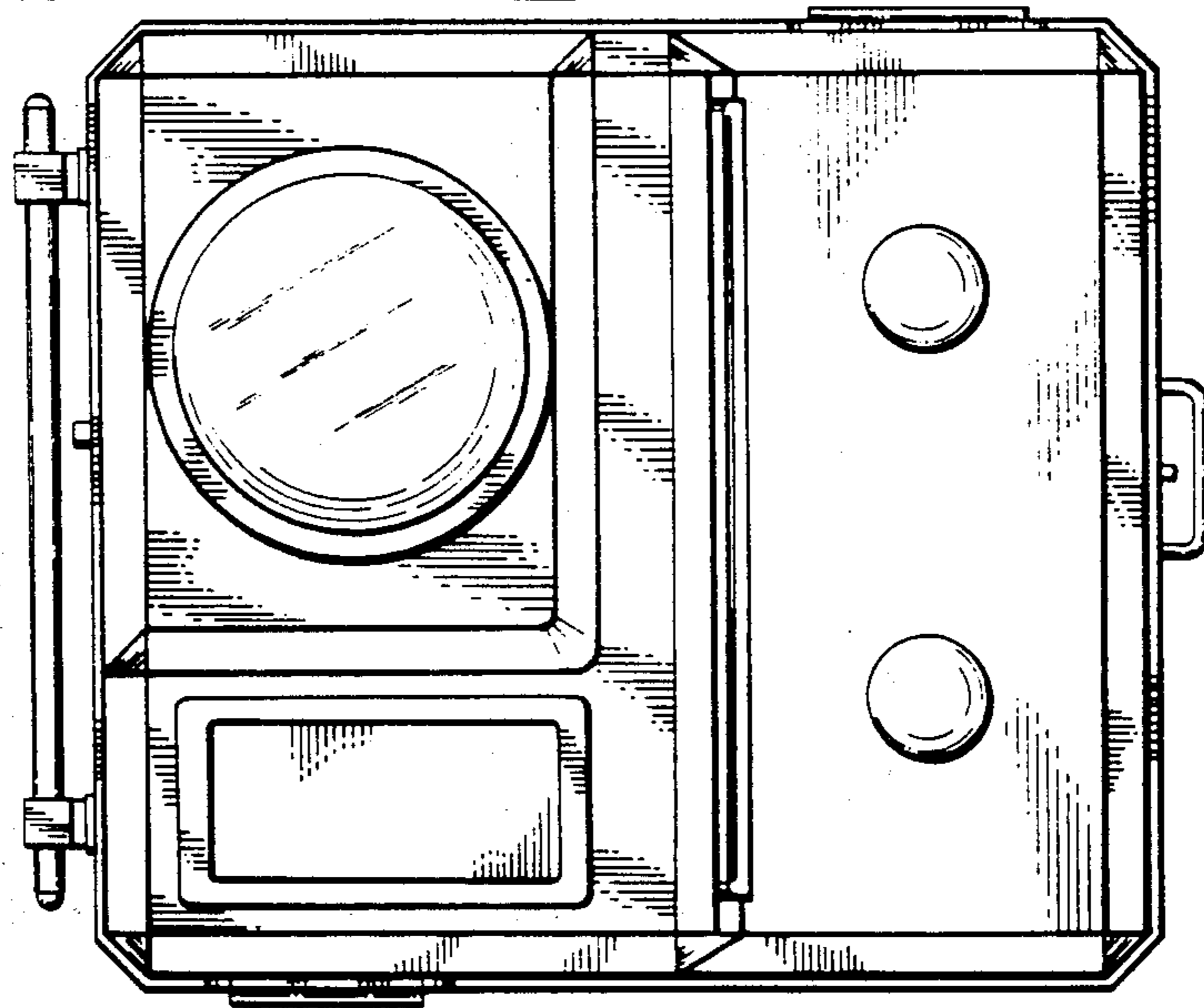


FIG. 3.



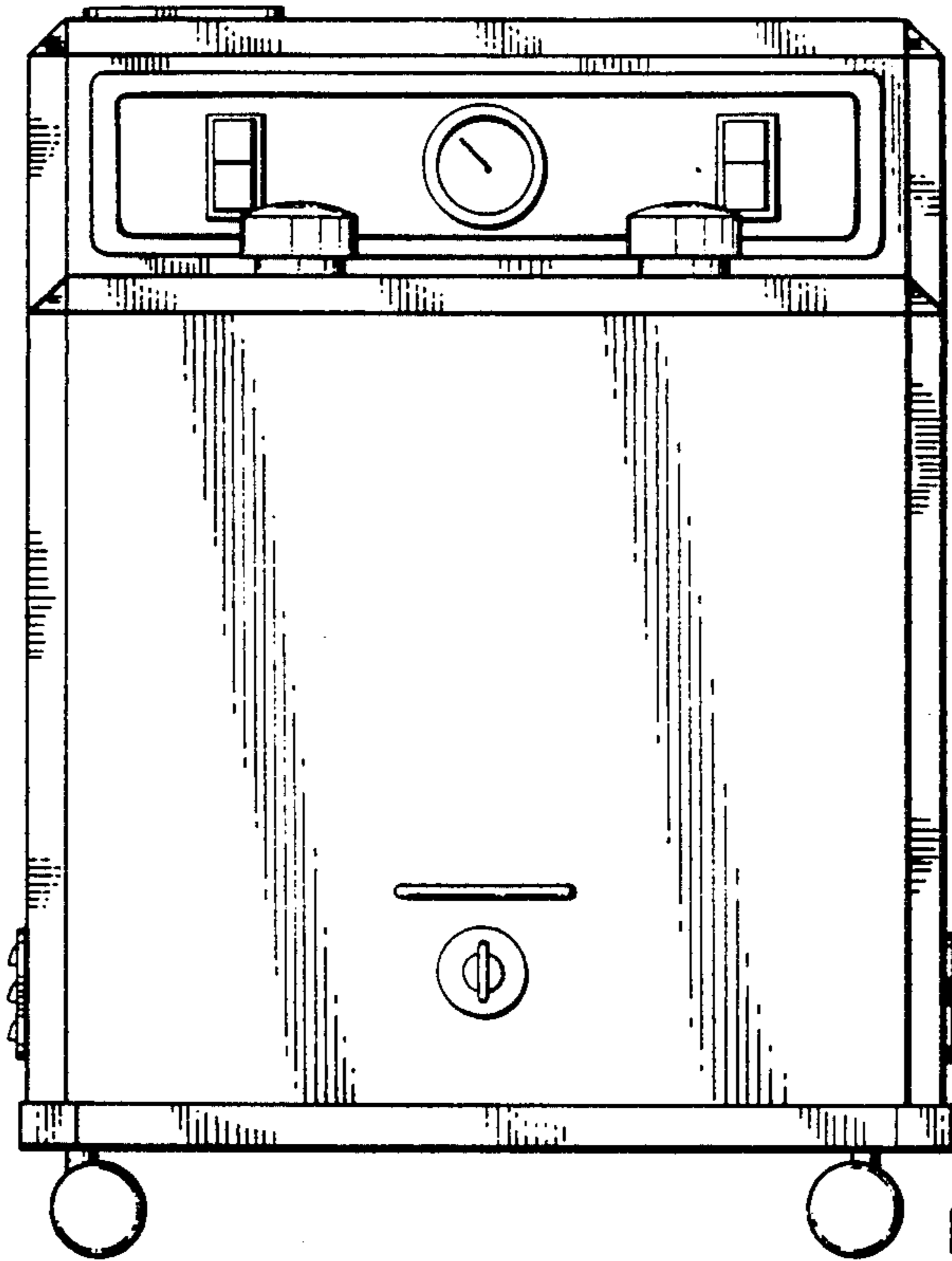


FIG. 4.

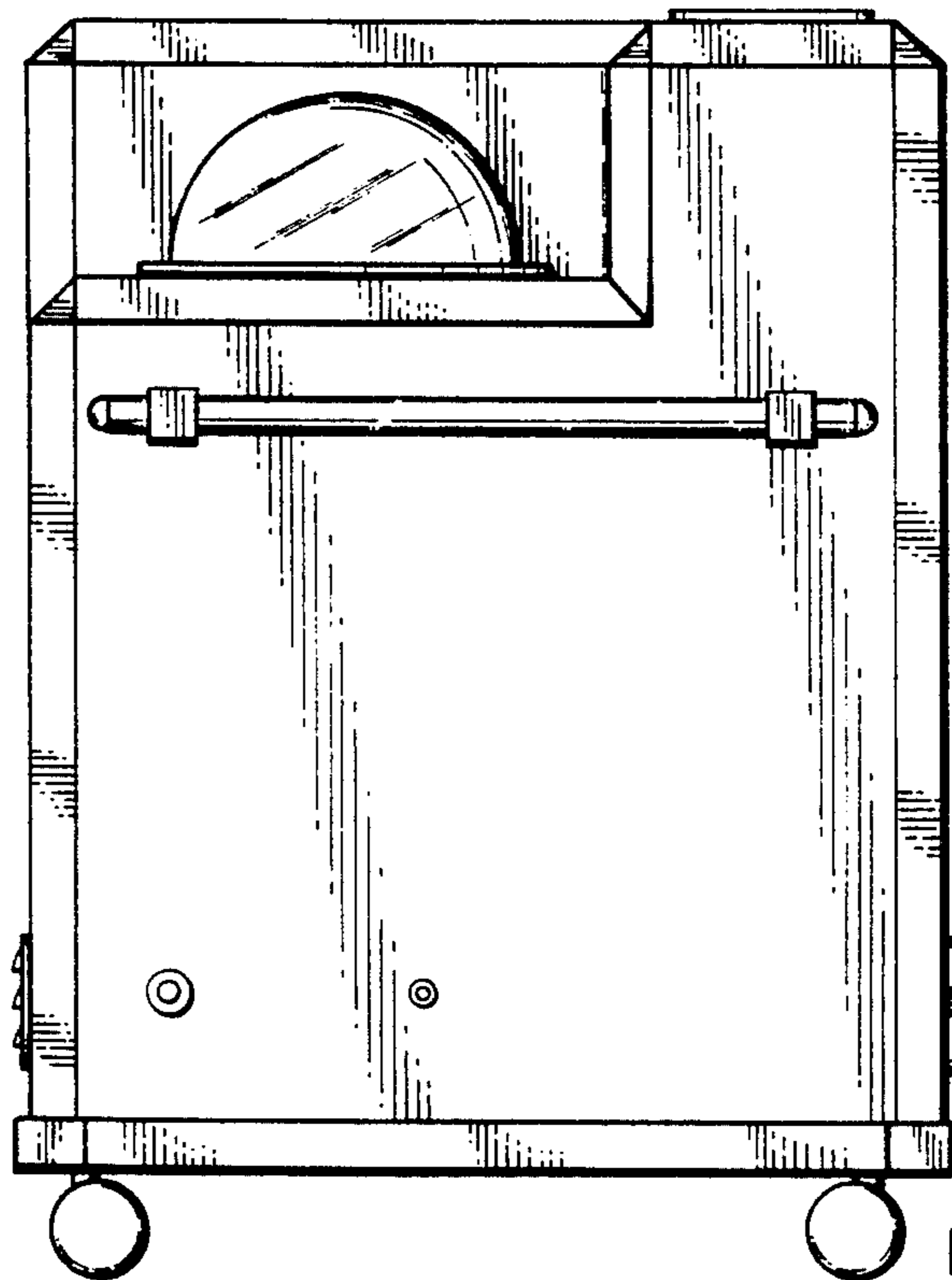


FIG. 5.

FIG. 6.

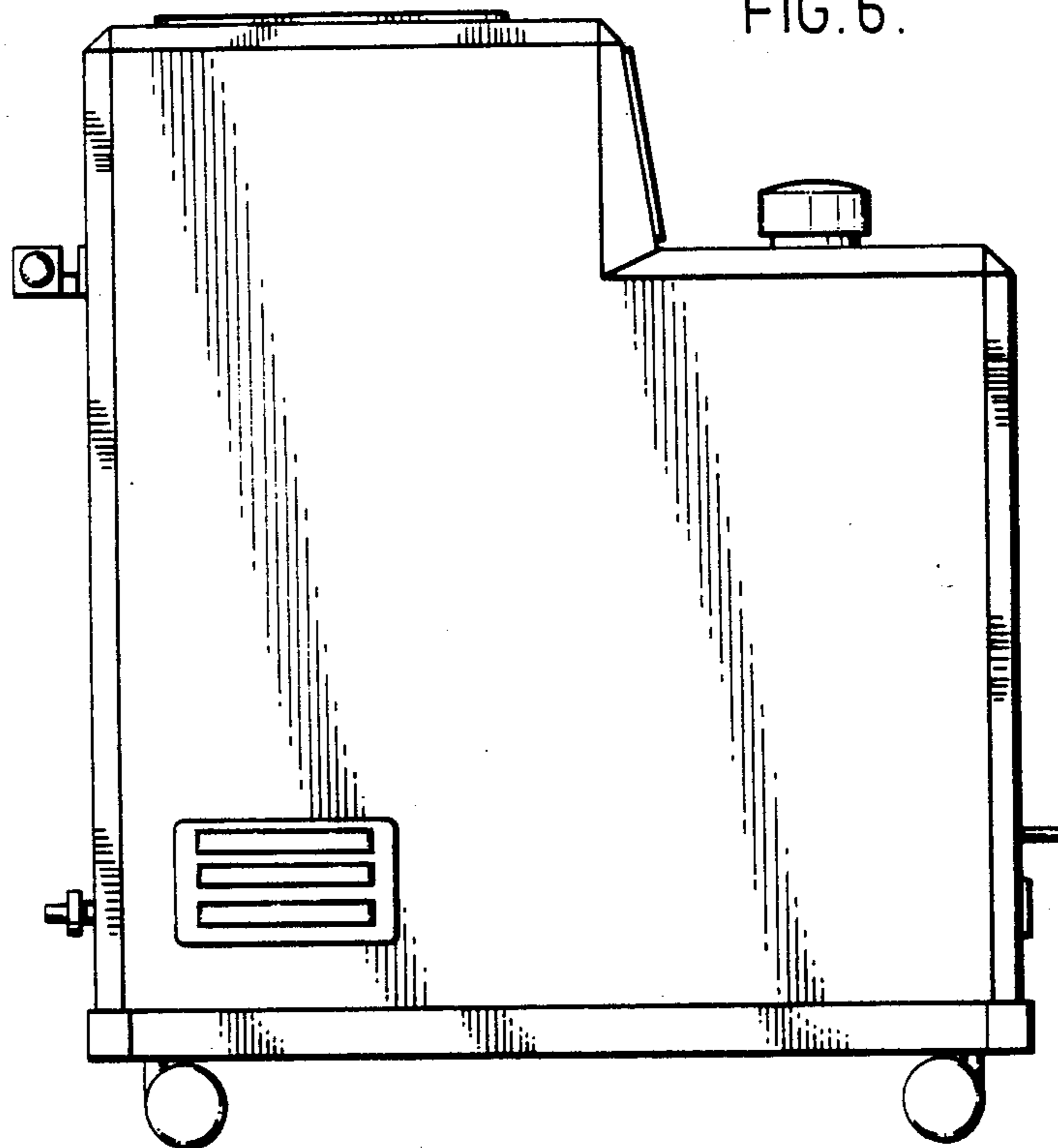


FIG. 7.

