

[54] COSMETIC BOX

[75] Inventor: Alain Chevassus, Sceaux, France

[73] Assignee: Lefebure Isolants Reunis, Rungis, France

[**] Term: 14 Years

[21] Appl. No.: 371,577

[22] Filed: Apr. 26, 1982

[30] Foreign Application Priority Data

Dec. 24, 1981 [FR] France 814469

[52] U.S. Cl. D28/83

[58] Field of Search D28/4, 67, 73, 76-84, D28/91, 99; D3/39; D9/341, 345, 347, 420, 423, 403, 426, 337; 206/235, 385, 581, 823; 220/DIG. 26; 132/1 R, 74 R, 79 D, 79 F, 79 G, 82 R, 82 A, 82 C, 82 D, 82 F, 83 R, 83 B-83 F

[56] References Cited

U.S. PATENT DOCUMENTS

D. 144,193	3/1946	Katopodis	D28/77
D. 262,585	1/1982	Anema	D3/39
1,682,534	8/1928	Martinat	220/DIG. 26
1,778,522	10/1930	Deitel	220/DIG. 26
1,910,522	5/1933	Coryell	D28/79 X

OTHER PUBLICATIONS

Beauty Fashion, 3/1968, p. 3—Compact at center right.

Primary Examiner—Louis S. Zarfes
Attorney, Agent, or Firm—Fleit, Jacobson, Cohn & Price

[57] CLAIM

The ornamental design of a cosmetic box, as shown and described.

DESCRIPTION

FIG. 1 is a front elevational view of a cosmetic box showing my new design;
 FIG. 2 is a right side view thereof;
 FIG. 3 is a top view thereof;
 FIG. 4 is a bottom view thereof;
 FIG. 5 is a left front perspective thereof, in a closed condition;
 FIG. 6 is a view thereof in an open condition;
 FIG. 7 is a front elevational view of a cosmetic box showing a modified form of my new design;
 FIG. 8 is a right side view of the embodiment of FIG. 7;
 FIG. 9 is a top view of the embodiment of FIG. 7;
 FIG. 10 is a bottom view of the embodiment of FIG. 7;
 FIG. 11 is a left front perspective of the embodiment of FIG. 7, in a closed condition; and
 FIG. 12 is a view of the embodiment of FIG. 7, in an open condition.

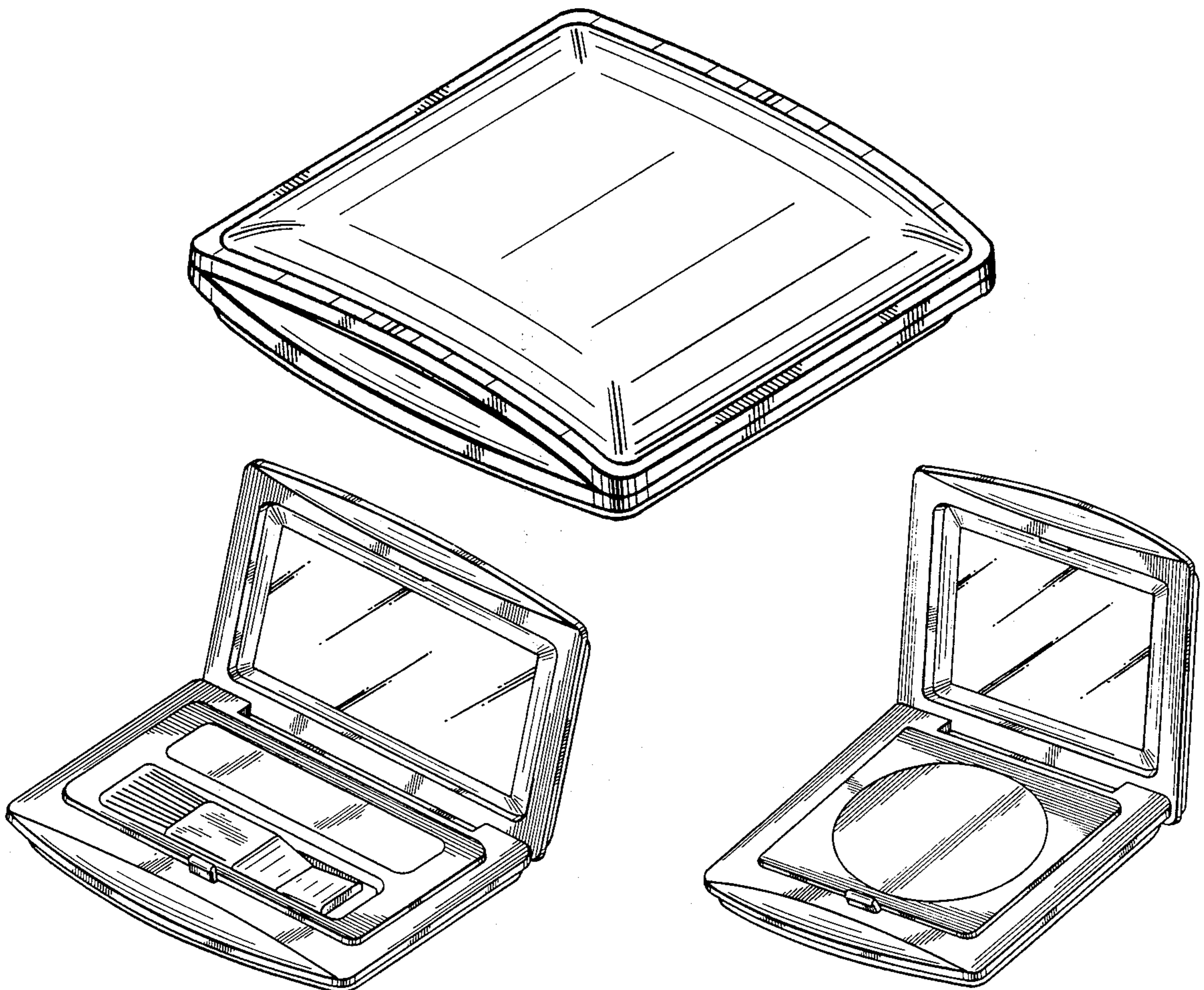




FIG. 1

FIG. 2

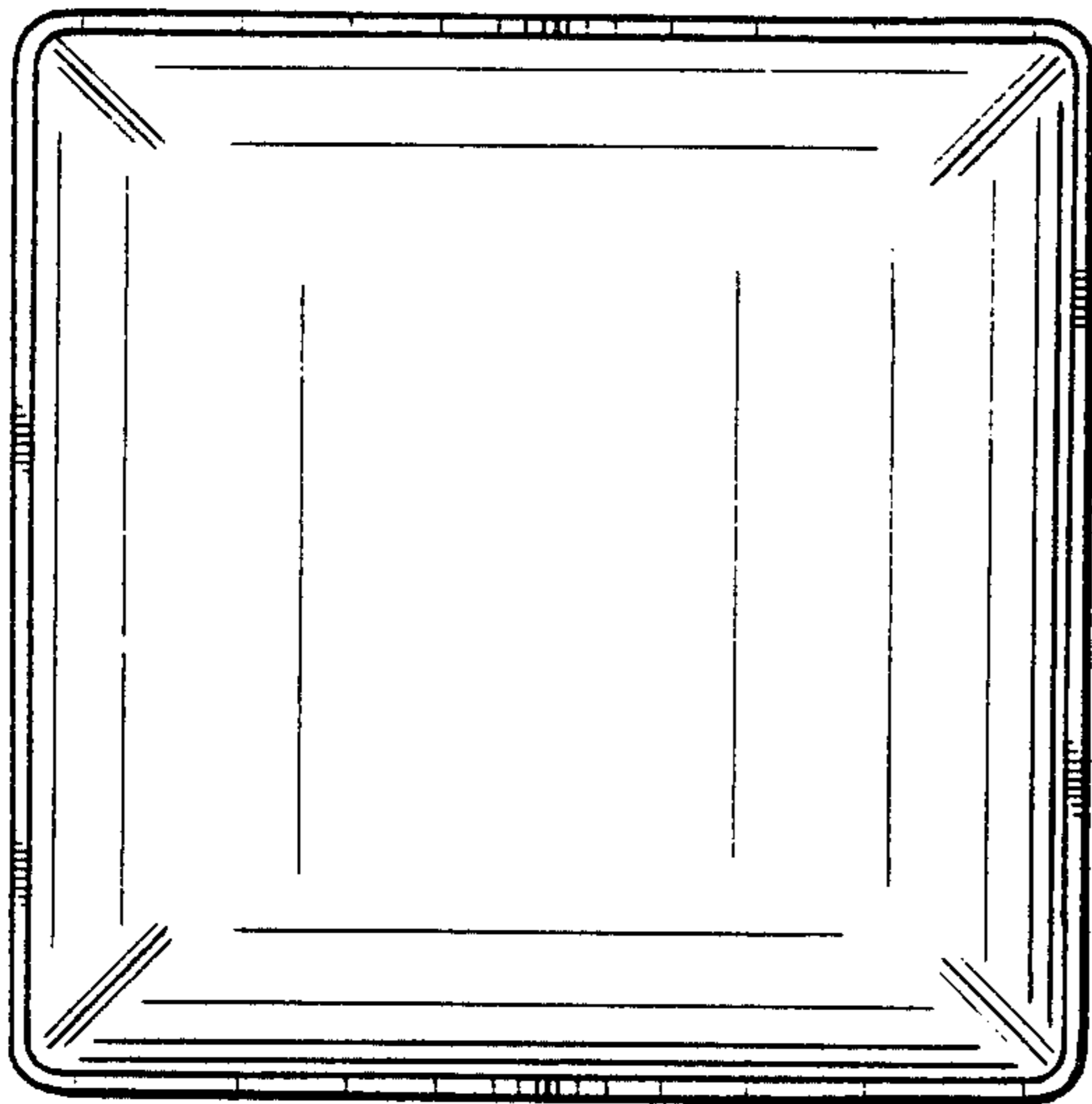
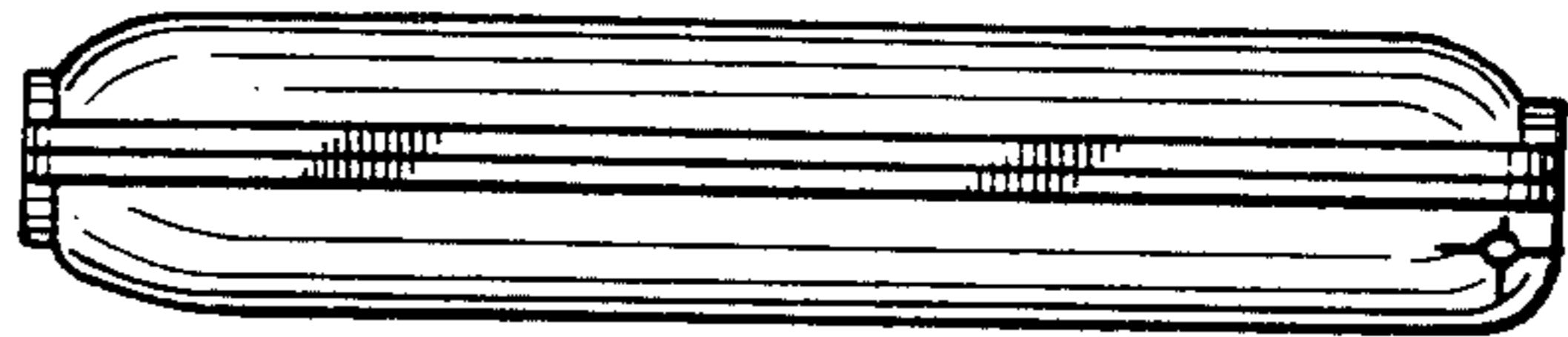


FIG. 3

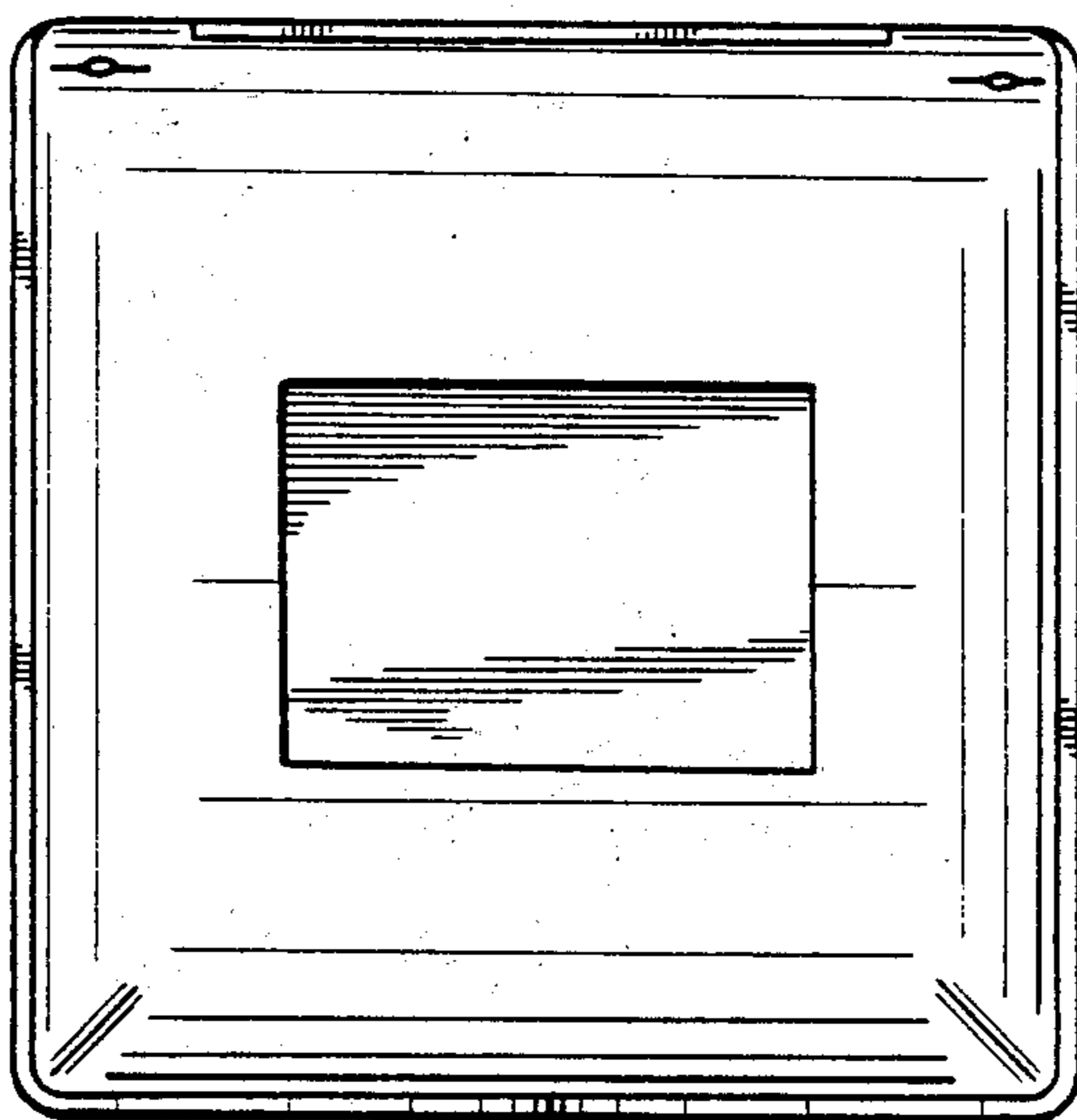


FIG. 4

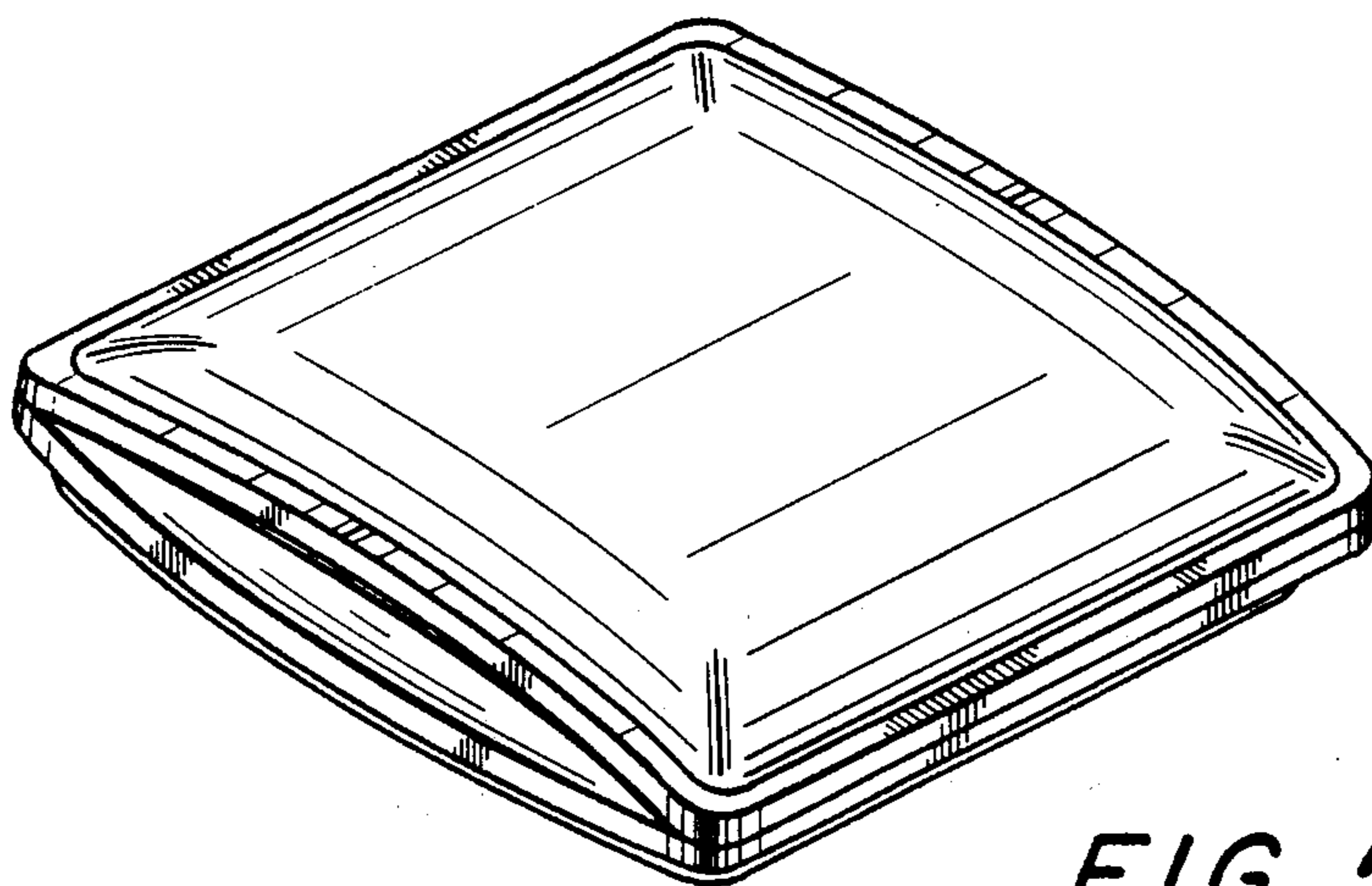


FIG. 5

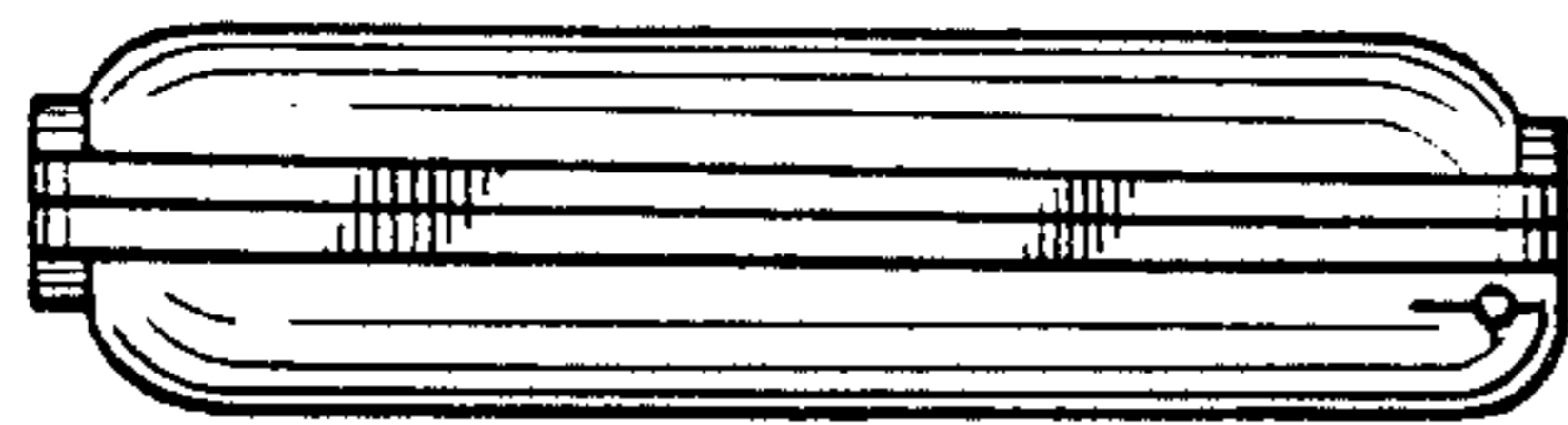
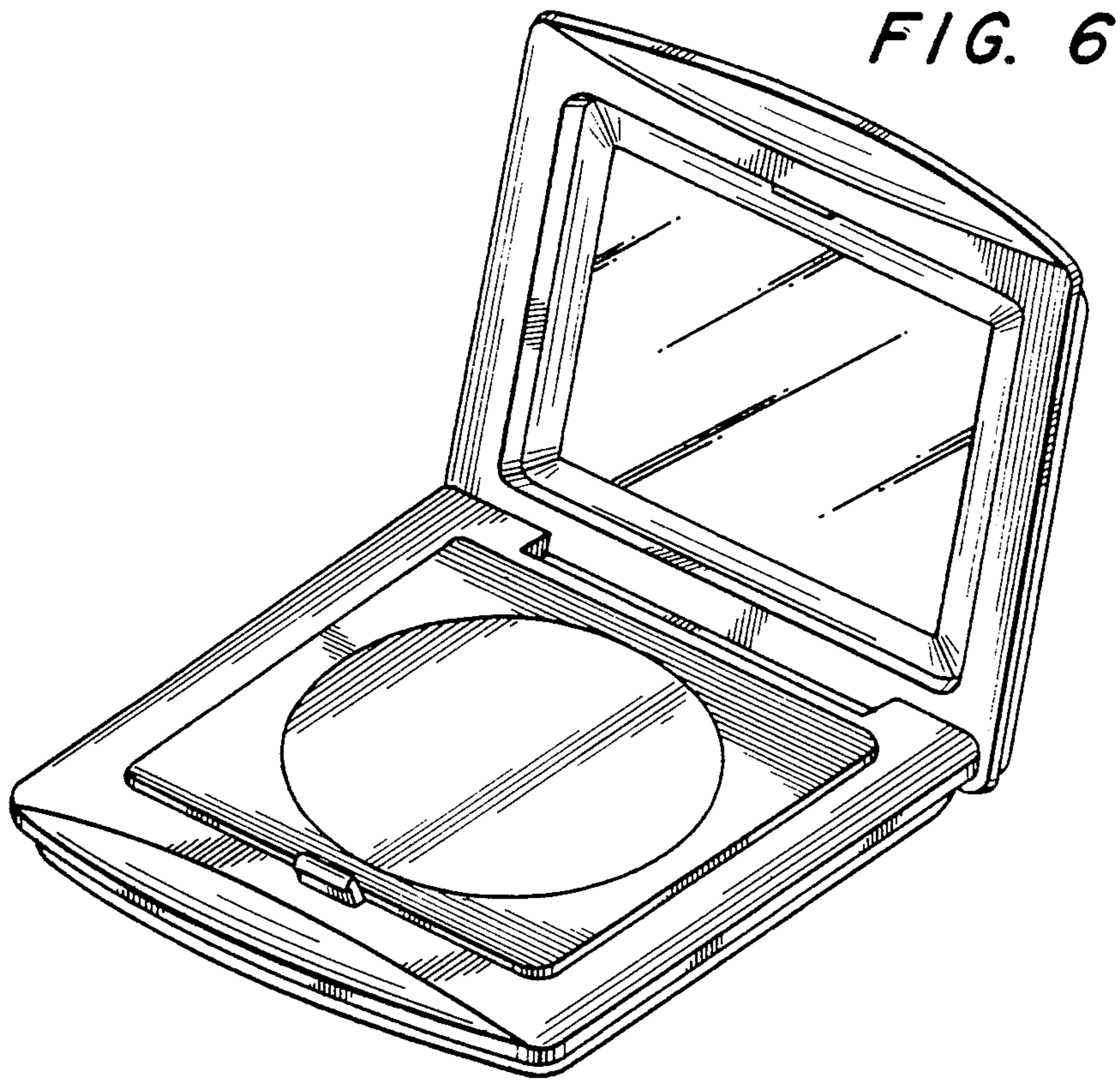


FIG. 8



FIG. 7

FIG. 9

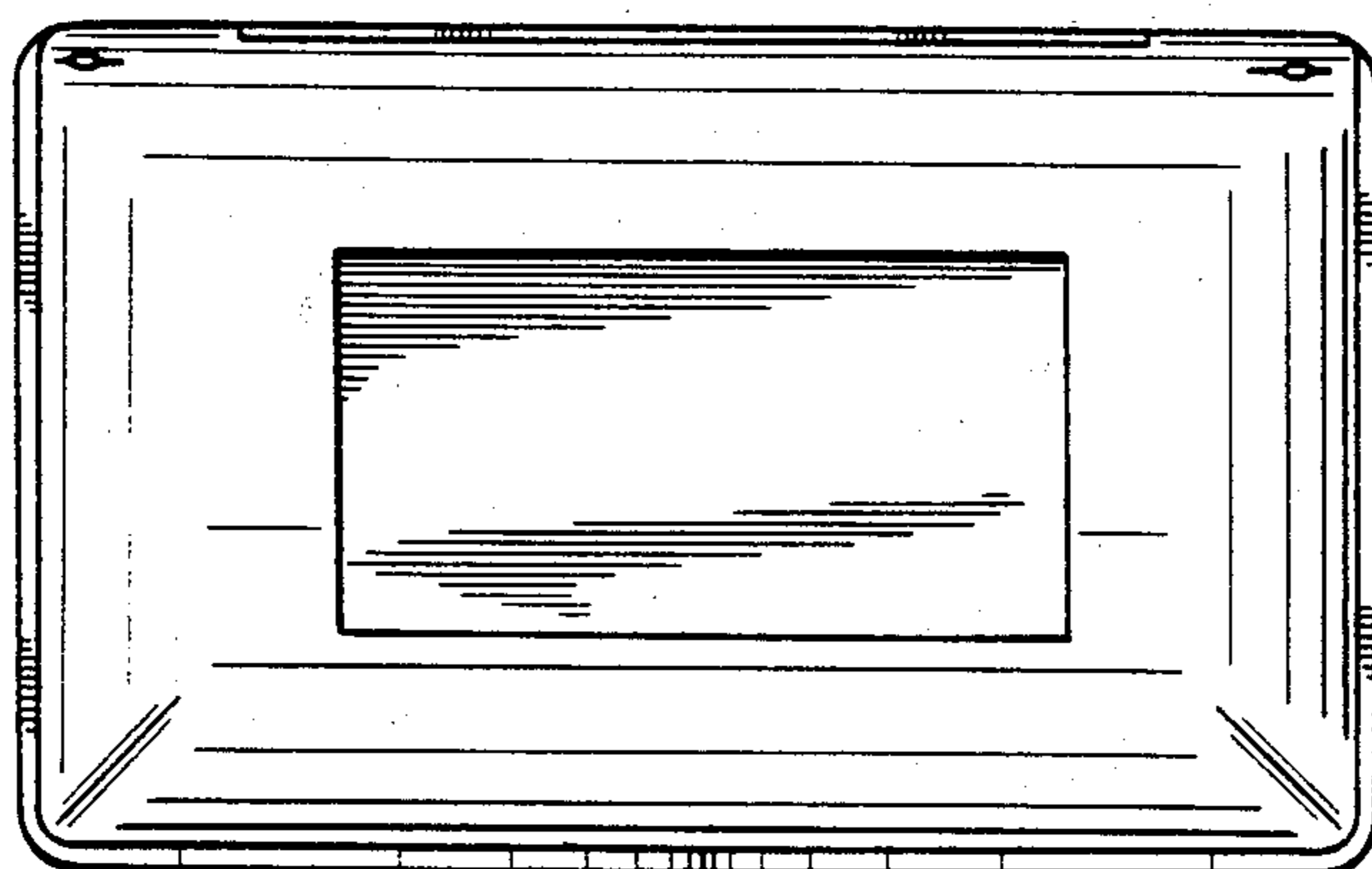
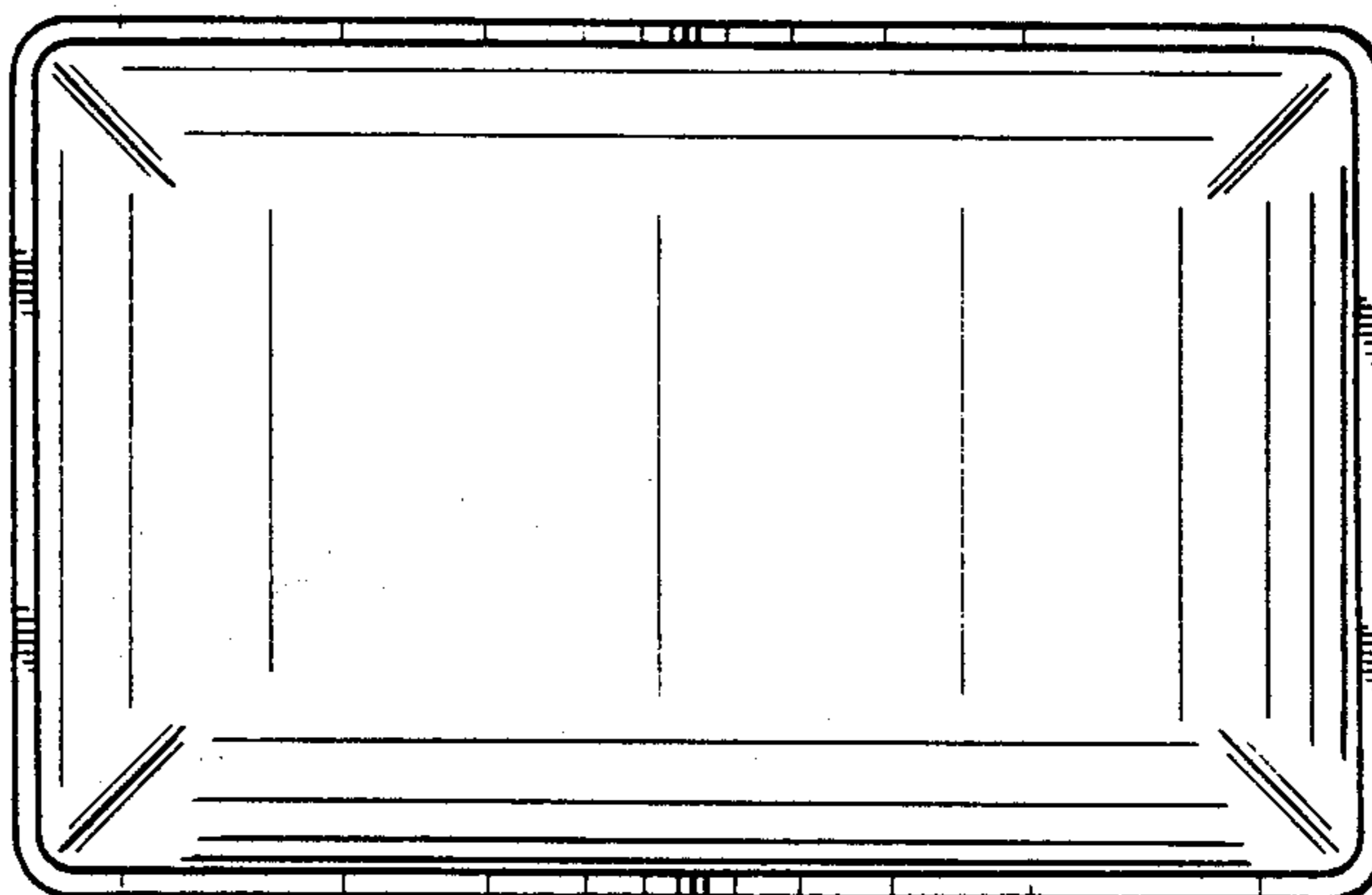


FIG. 10

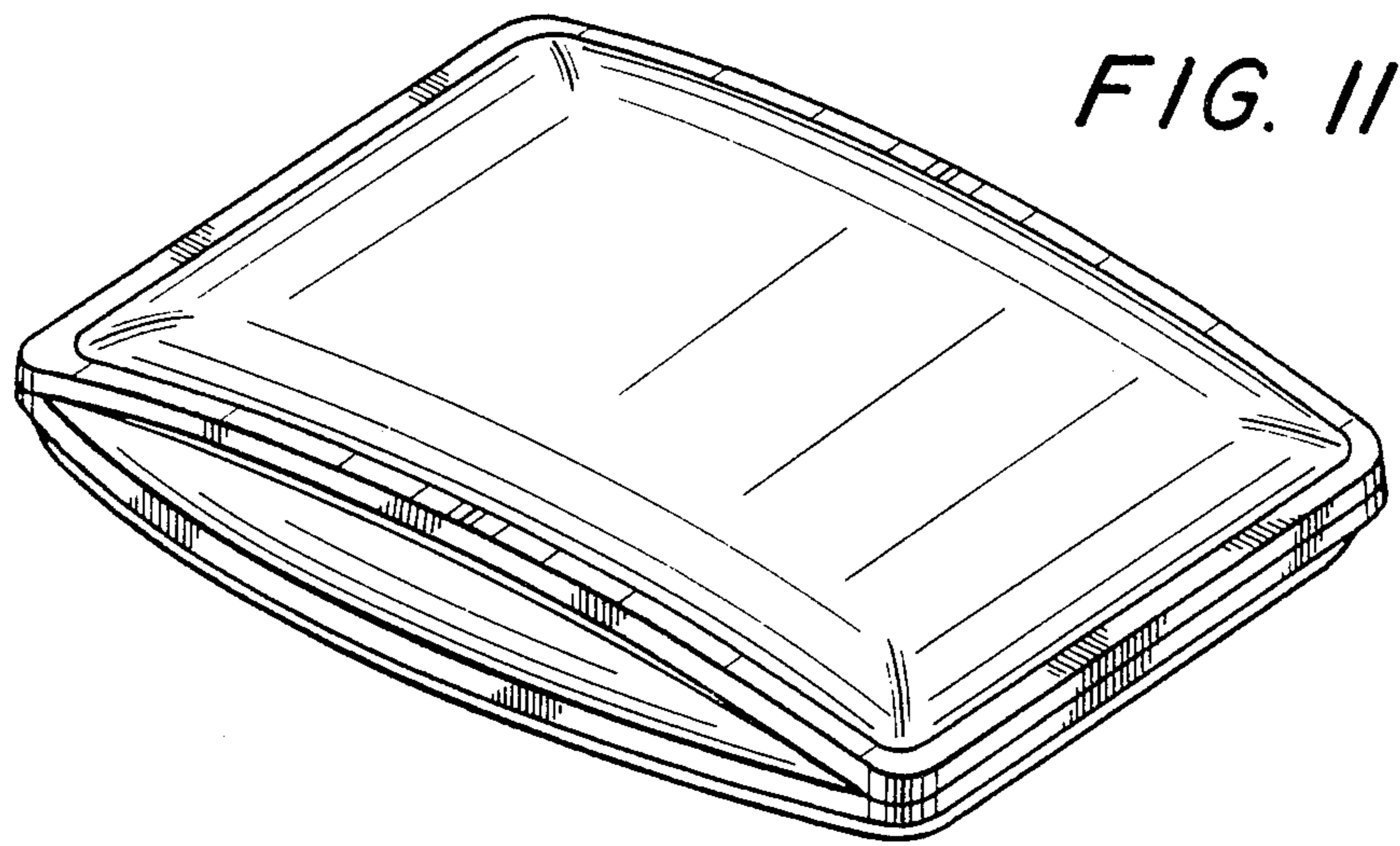


FIG. 11

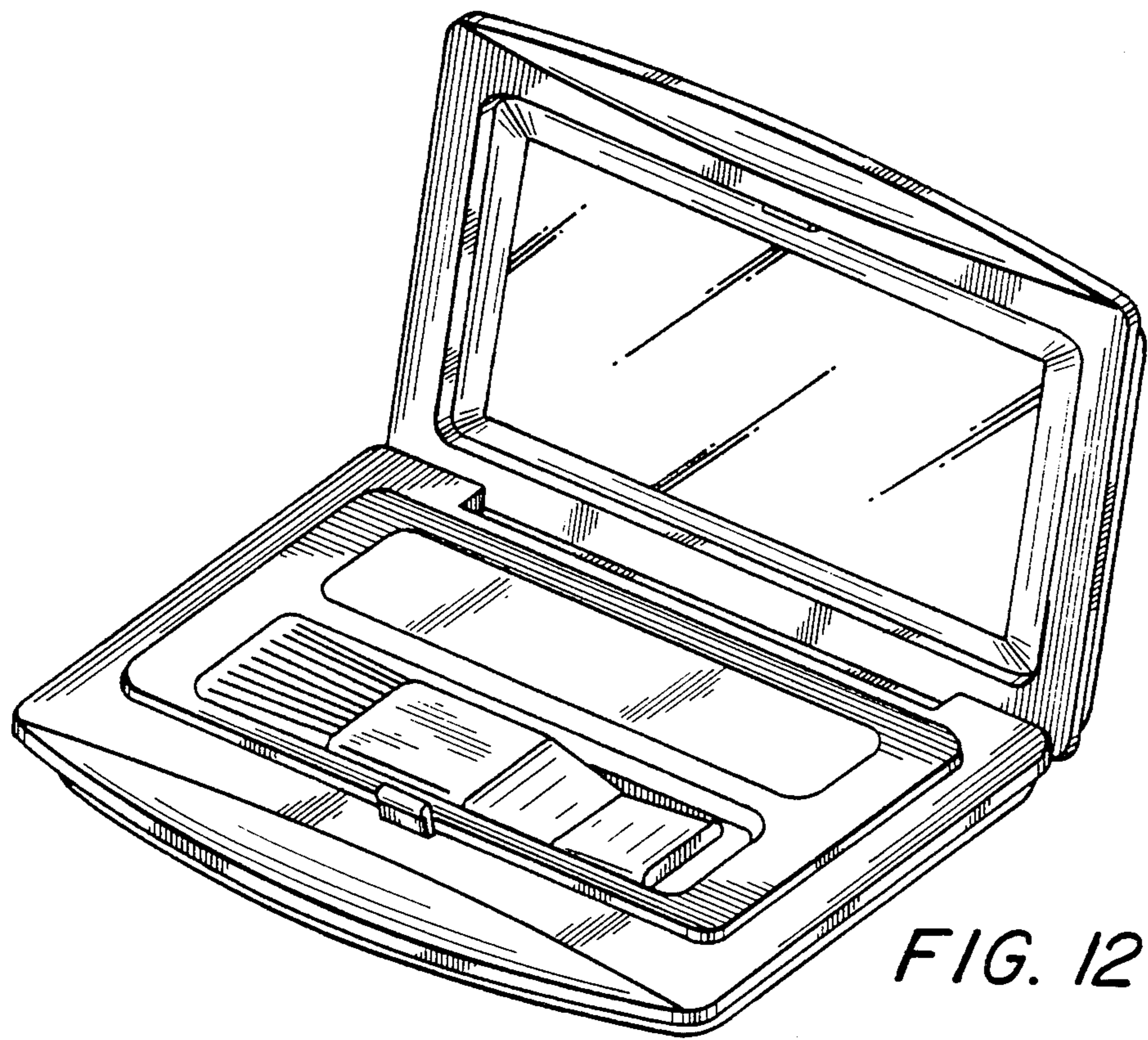


FIG. 12